



US00D446499B1

(12) **United States Design Patent**
Andre et al.

(10) **Patent No.:** **US D446,499 S**

(45) **Date of Patent:** **** Aug. 14, 2001**

(54) **POWER AMPLIFIER**

(75) Inventors: **Bartley K. Andre**, Menlo Park; **Daniel J. Coster**, San Francisco; **Daniele De Iuliis**, San Francisco; **Richard P. Howarth**, San Francisco; **Jonathan P. Ive**, San Francisco; **Duncan Robert Kerr**, San Francisco; **Matthew Dean Rohrbach**, San Francisco; **Douglas B. Satzger**, San Carlos; **Calvin Q. Seid**, Palo Alto; **Christopher J. Stringer**, Pacifica; **Eugene Anthony Whang**, San Francisco, all of CA (US)

(73) Assignee: **Apple Computer, Inc.**, Cupertino, CA (US)

(**) Term: **14 Years**

(21) Appl. No.: **29/126,456**

(22) Filed: **Jul. 17, 2000**

(51) **LOC (7) Cl.** **13-02**

(52) **U.S. Cl.** **D13/110**

(58) **Field of Search** D13/110; D14/188;
307/150; 330/65, 250-311

(56) **References Cited**

U.S. PATENT DOCUMENTS

- D. 102,203 * 12/1936 Comstock D13/110
- D. 420,665 * 2/2000 Rosenberg et al. D14/188

3,727,098	*	4/1973	Crapuchettes	315/39.51
3,833,821	*	9/1974	Weaver	307/150
4,037,168	*	7/1977	Katoh et al.	330/306
4,084,218	*	4/1978	Kenney	363/18
4,484,158	*	11/1984	Roberts et al.	333/191
5,568,006	*	10/1996	Luff et al.	310/348
5,898,256	*	4/1999	Ide et al.	310/344

* cited by examiner

Primary Examiner—Joel Sincavage

(74) *Attorney, Agent, or Firm*—Richard C. Liu

(57) **CLAIM**

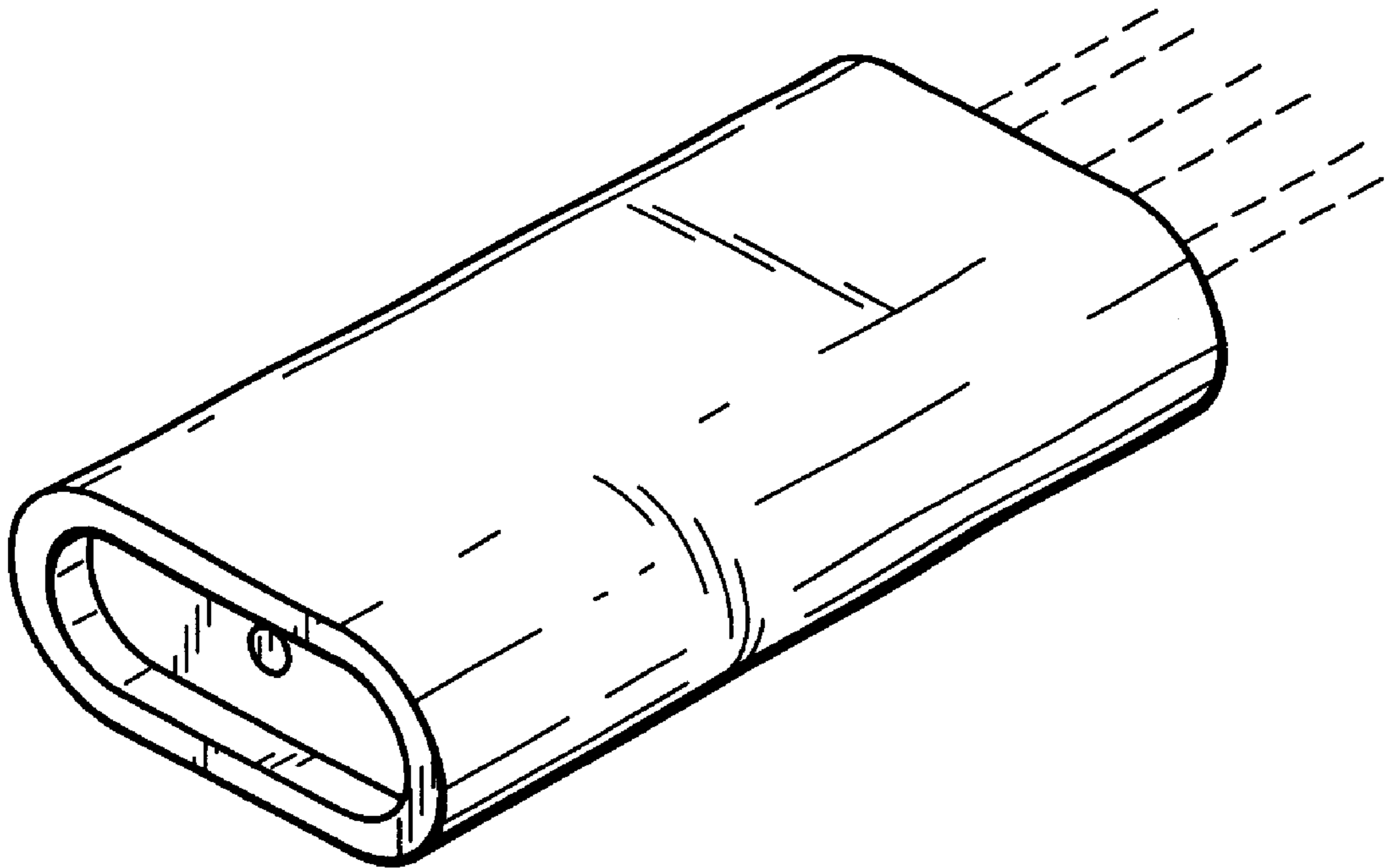
The ornamental design for a power amplifier, as shown and described.

DESCRIPTION

FIG. 1 is a perspective view of a power amplifier;
 FIG. 2 is a front elevational view thereof;
 FIG. 3 is a top view thereof;
 FIG. 4 is a side view thereof;
 FIG. 5 is a bottom view thereof;
 FIG. 6 is a rear view thereof;
 FIG. 7 is a perspective view of another embodiment of the present invention; and,
 FIG. 8 is a side elevational view of the embodiment shown in FIG. 7.

The broken lines throughout the drawing figures are included for the purpose of illustrating portions of the amplifier that form no part of the claimed design.

1 Claim, 2 Drawing Sheets



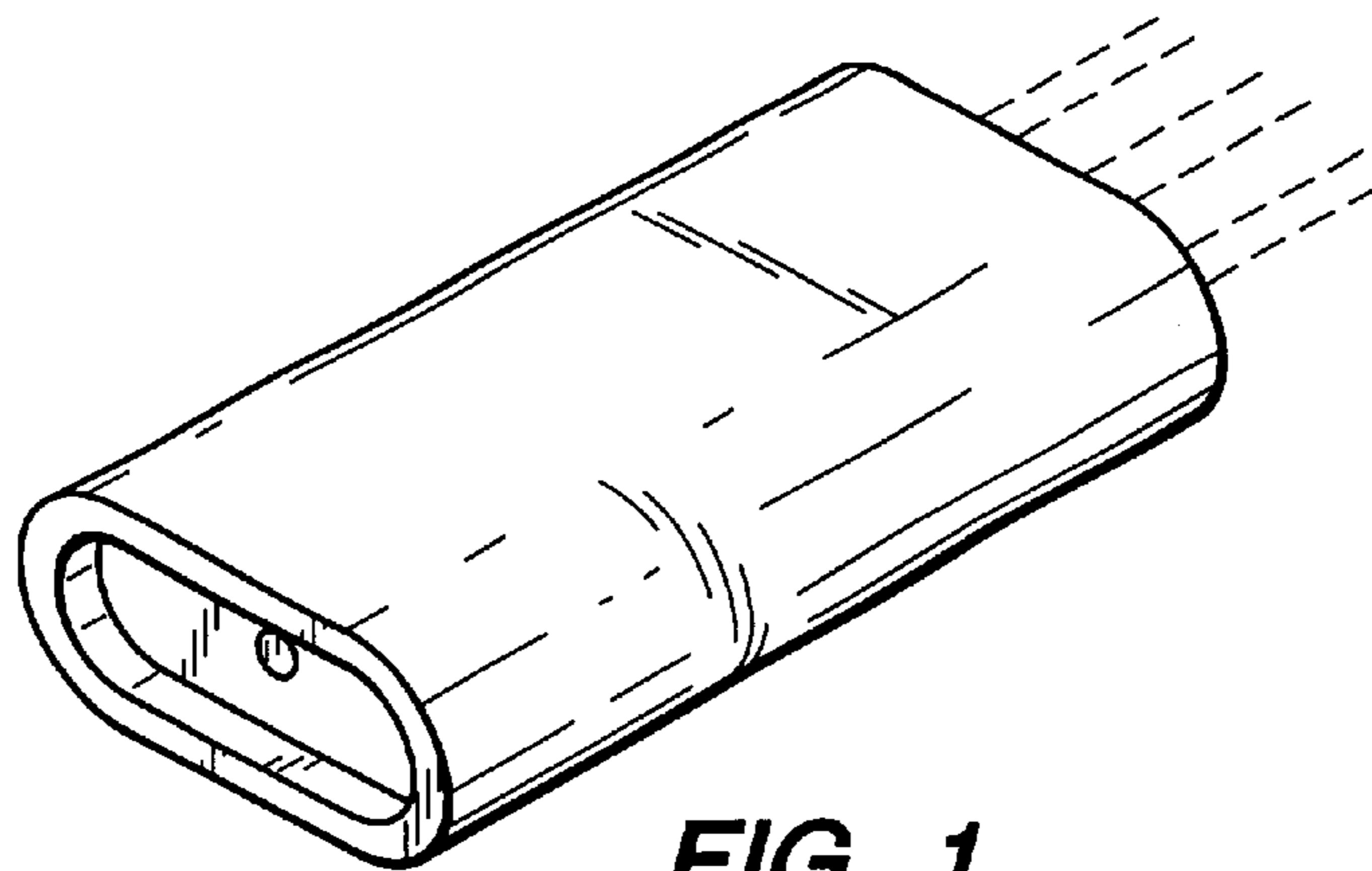


FIG. 1

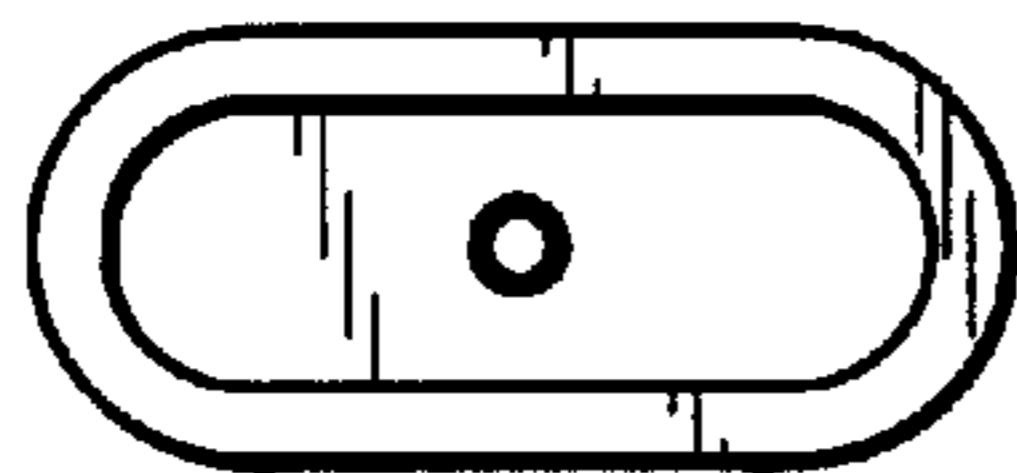


FIG. 2

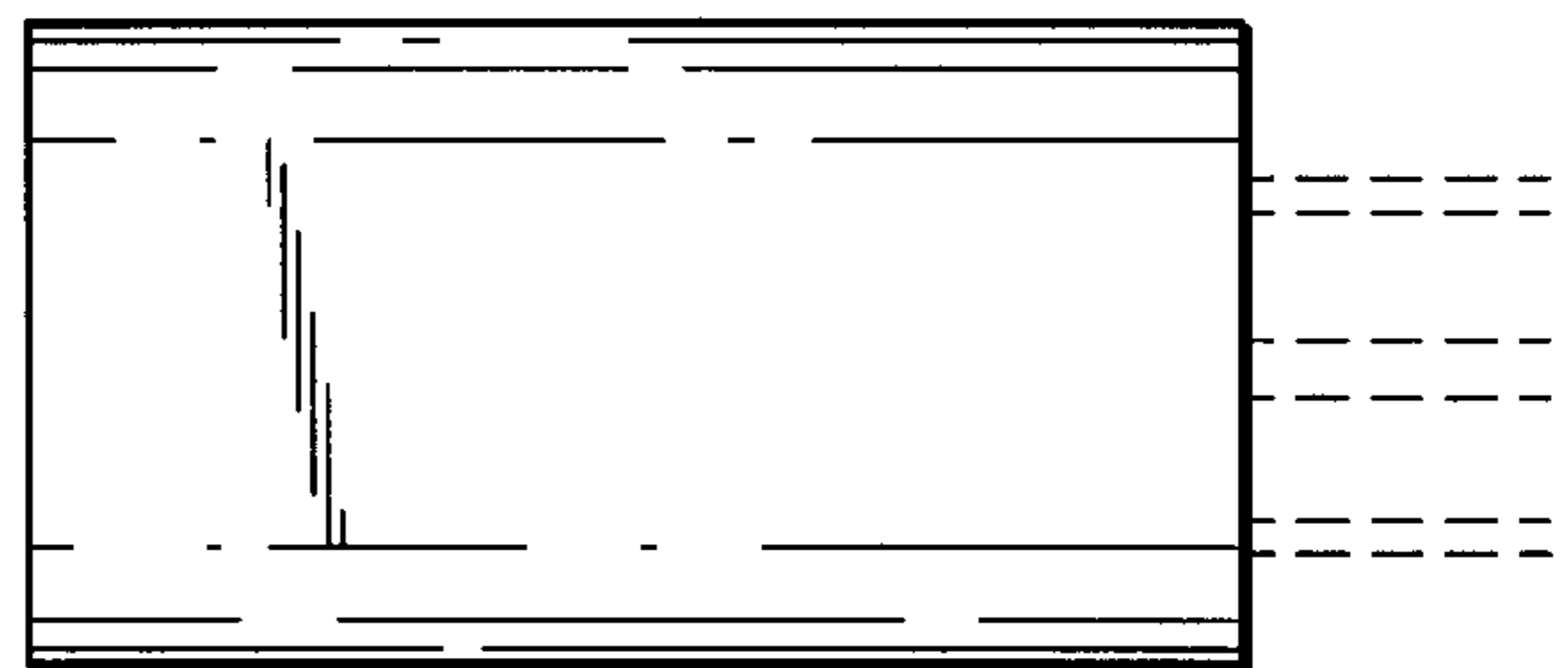


FIG. 3

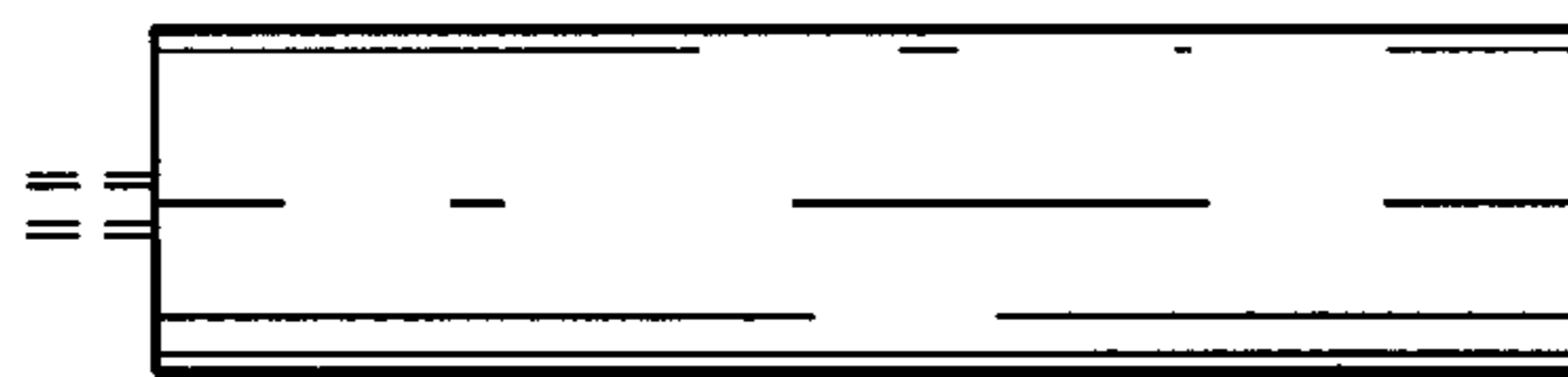


FIG. 4

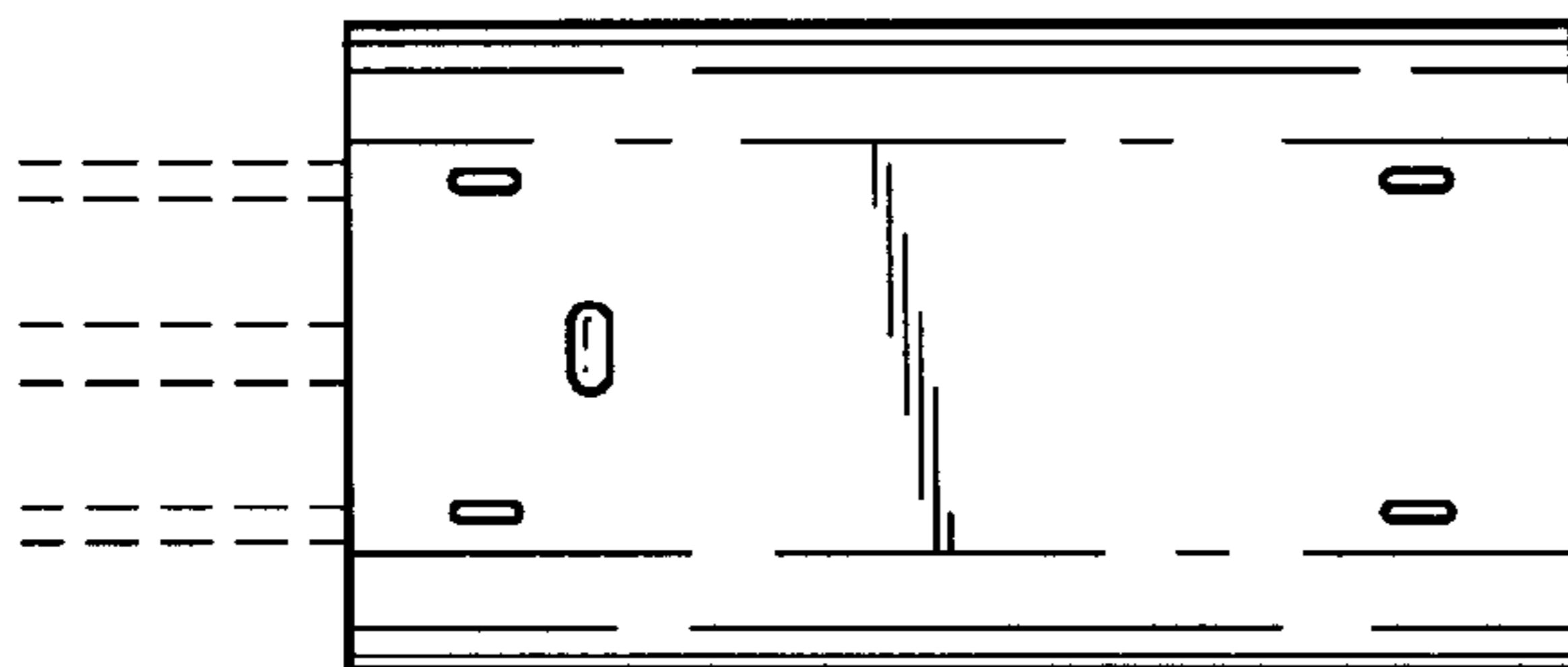


FIG. 5

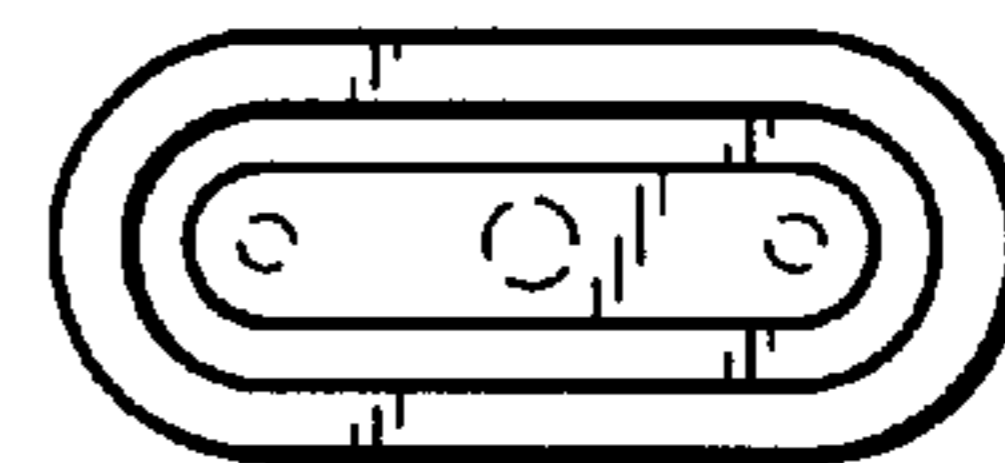


FIG. 6

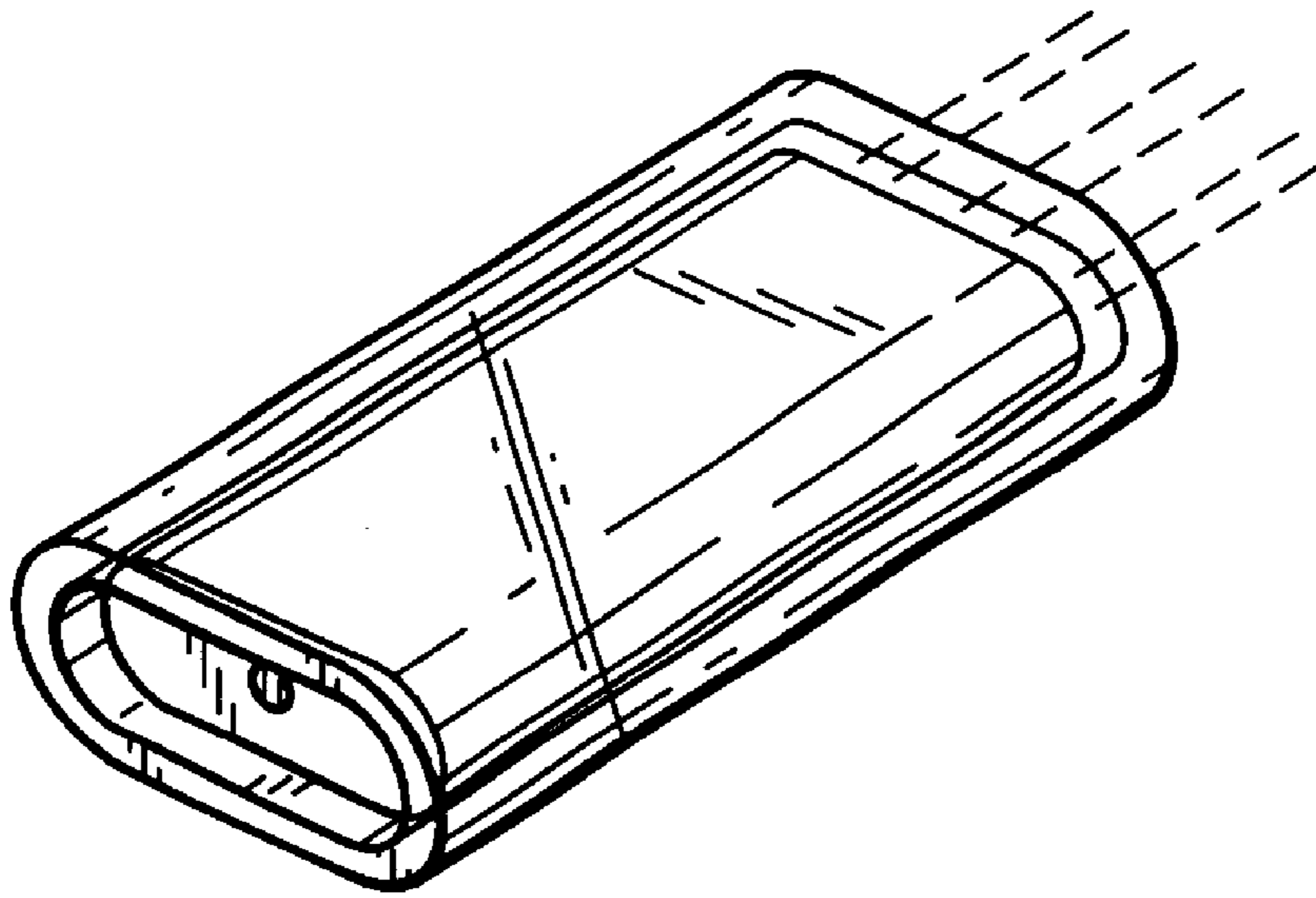


FIG. 7

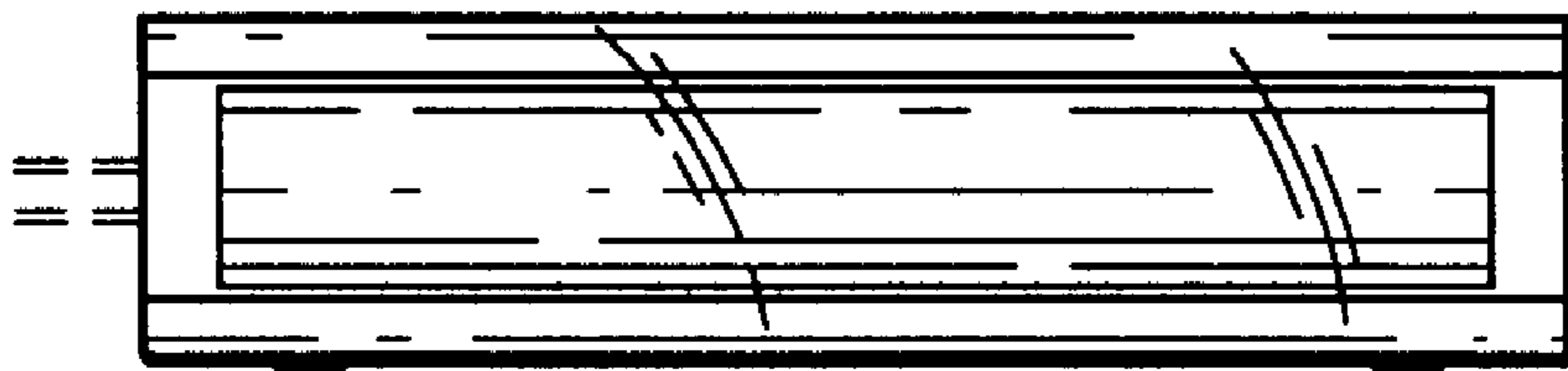


FIG. 8