



US00D446498B1

(12) **United States Design Patent**  
**Galante et al.**

(10) **Patent No.:** **US D446,498 S**

(45) **Date of Patent:** **\*\* Aug. 14, 2001**

(54) **POWER SUPPLY ENCLOSURE**

(75) Inventors: **Richard J. Galante**, Wakefield; **Gary A. Mook**, Westwood, both of MA (US)

(73) Assignee: **Acumentrics Corporation**, Westwood, MA (US)

(\*\*) Term: **14 Years**

(21) Appl. No.: **29/113,437**

(22) Filed: **Nov. 4, 1999**

(51) **LOC (7) Cl.** ..... **13-02**

(52) **U.S. Cl.** ..... **D13/110**

(58) **Field of Search** ..... D13/110, 184;  
307/150; 361/679, 690; 174/52.1

(56) **References Cited**

**U.S. PATENT DOCUMENTS**

- D. 314,182 \* 1/1991 Moerman ..... D13/152
- D. 354,739 \* 1/1995 Durham et al. .... D13/184

- D. 404,722 \* 1/1999 Chen ..... D13/184
- D. 408,370 \* 4/1999 Stashkiw et al. .... D13/184
- 5,860,715 \* 1/1999 Lohde et al. .... 174/50 X

\* cited by examiner

*Primary Examiner*—Joel Sincavage

(74) *Attorney, Agent, or Firm*—Bromberg & Sunstein LLP

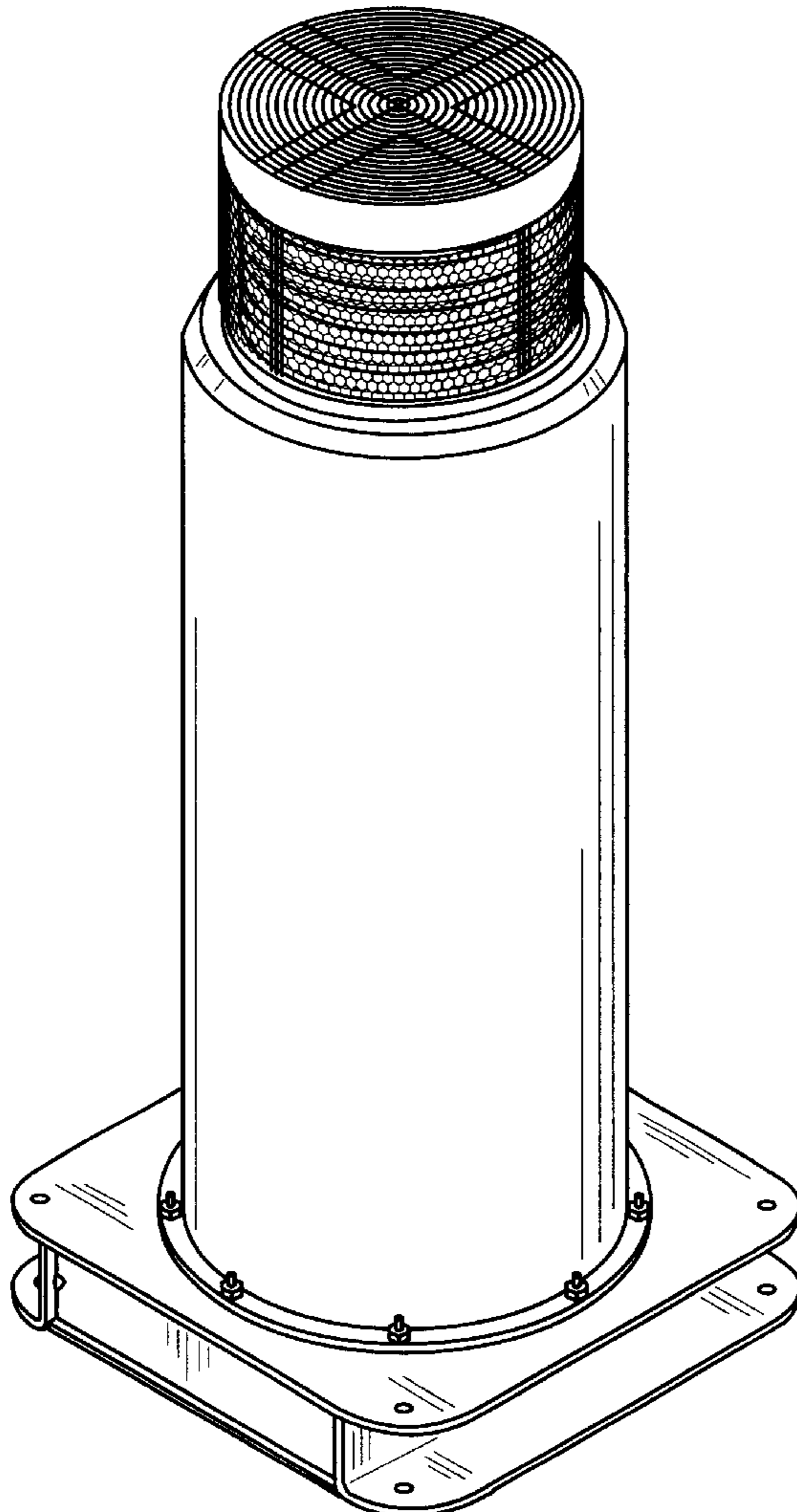
(57) **CLAIM**

The ornamental design for a power supply enclosure, as shown and described.

**DESCRIPTION**

FIG. 1 is a perspective view of a power supply enclosure, showing our new design;  
 FIG. 2 is a front or back view thereof;  
 FIG. 3 is a left or right side view thereof;  
 FIG. 4 is a bottom plan view thereof; and,  
 FIG. 5 is a top plan view thereof.  
 FIGS. 2 through 5 have been drawn on an enlarged scale with respect to FIG. 1.

**1 Claim, 4 Drawing Sheets**



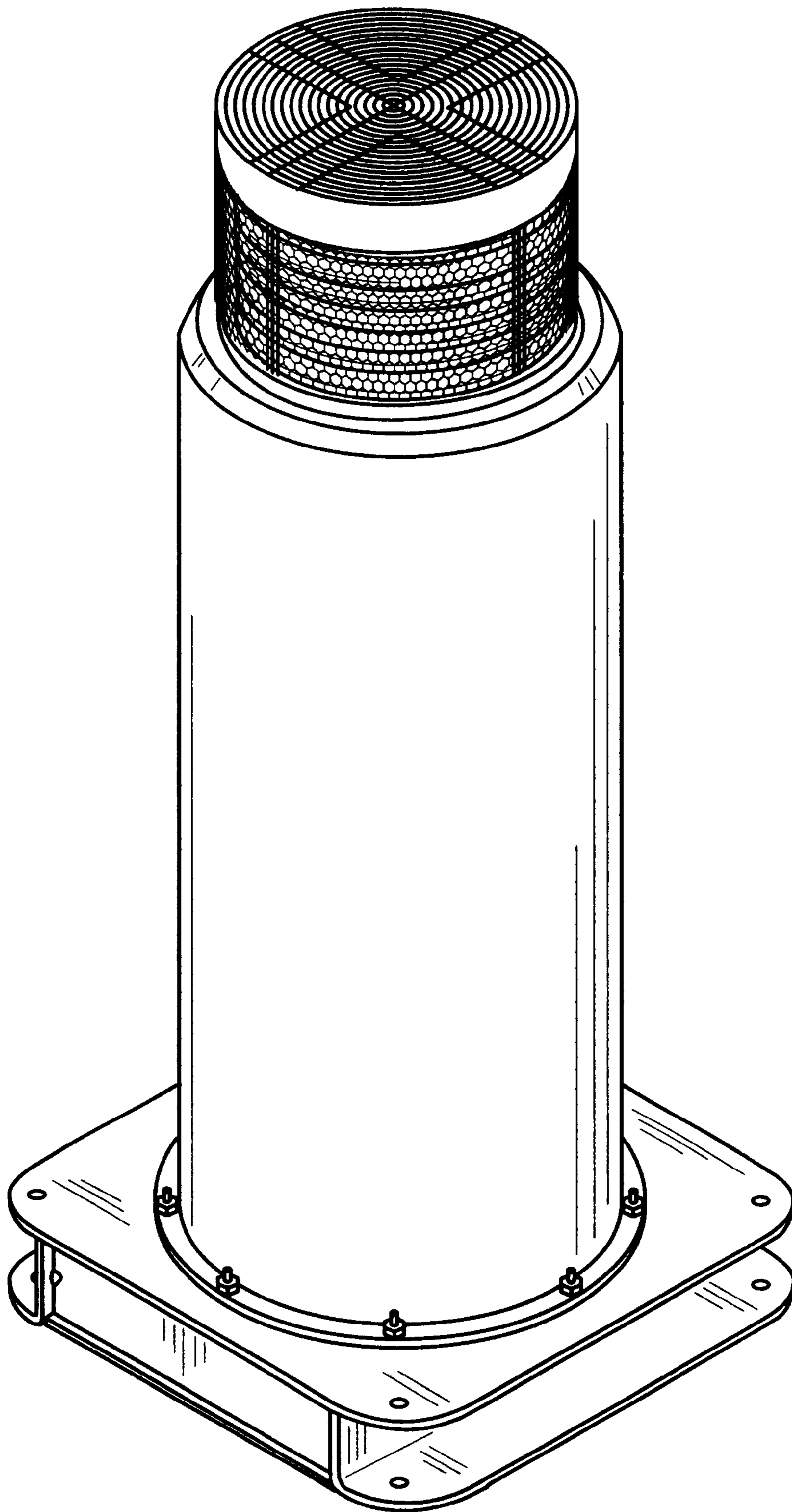


FIG. 1

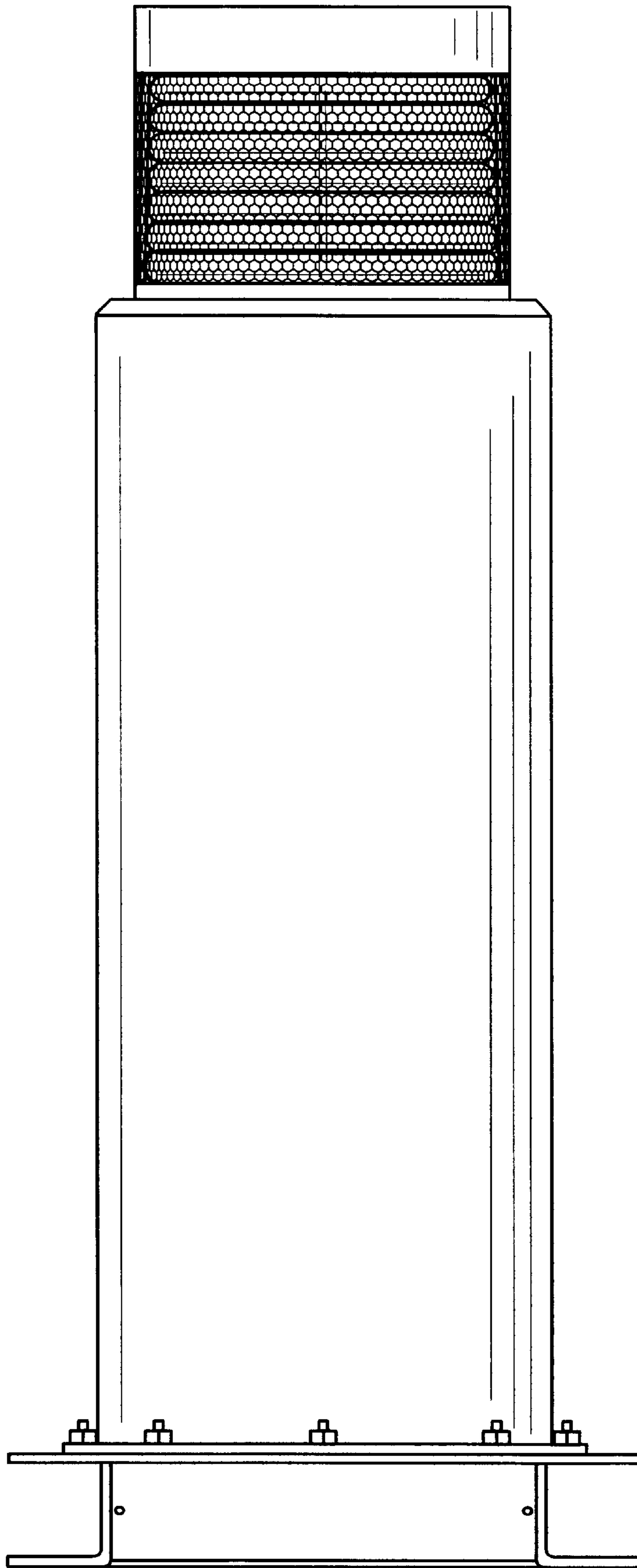


FIG. 2

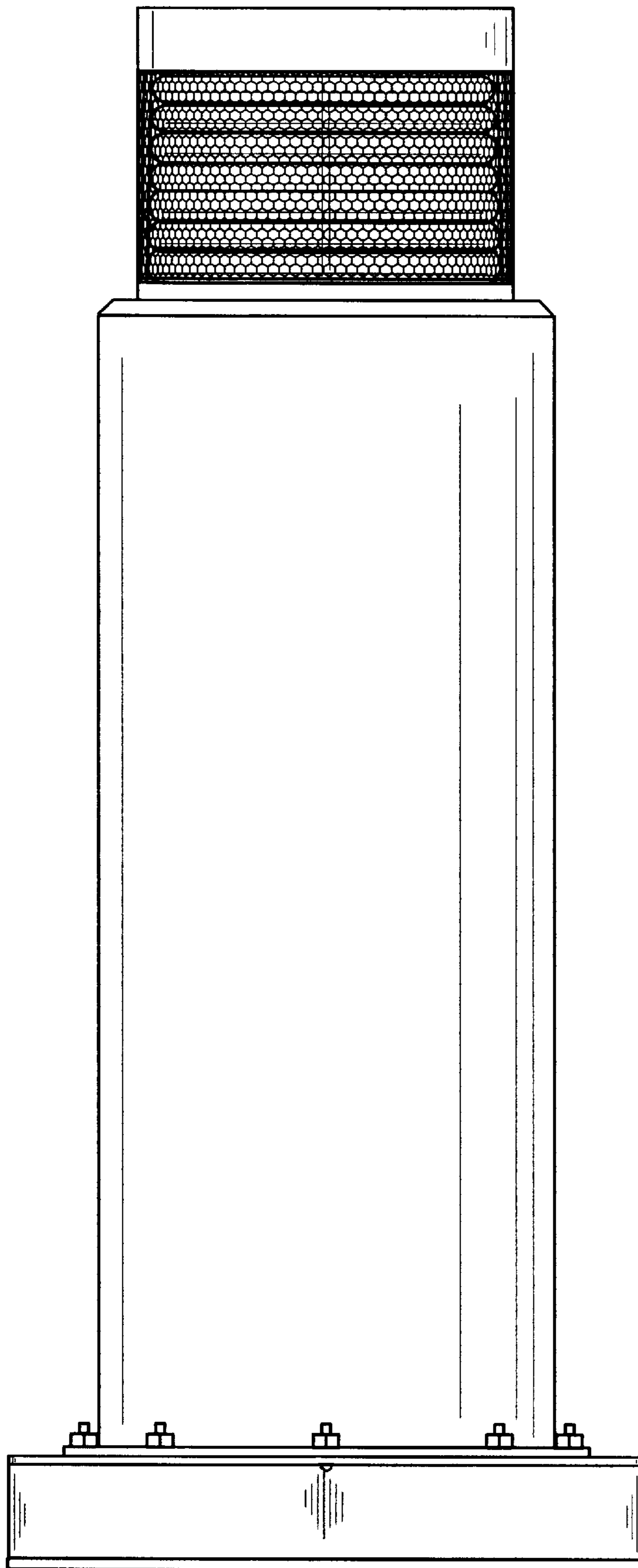


FIG. 3



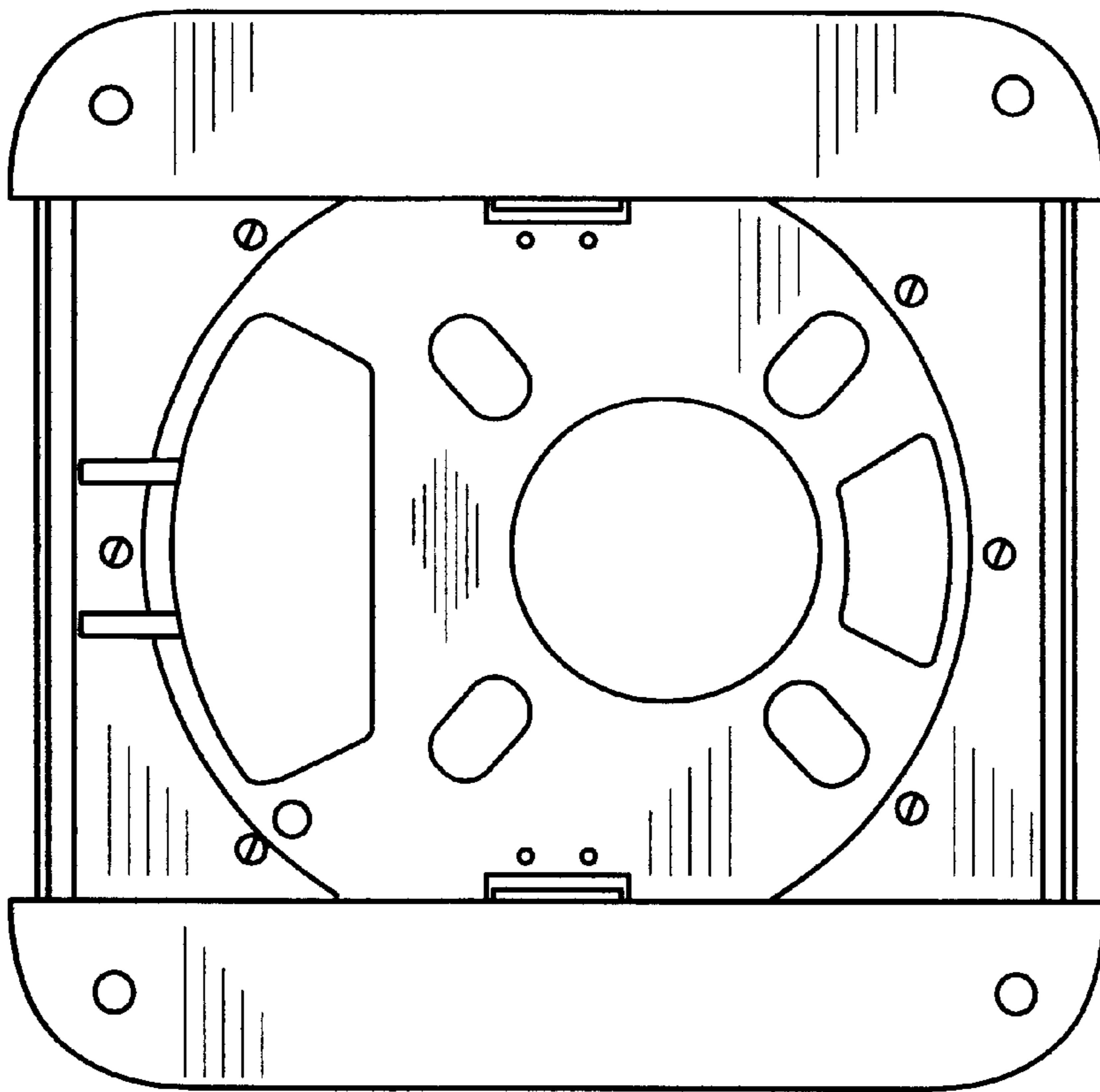


FIG. 4

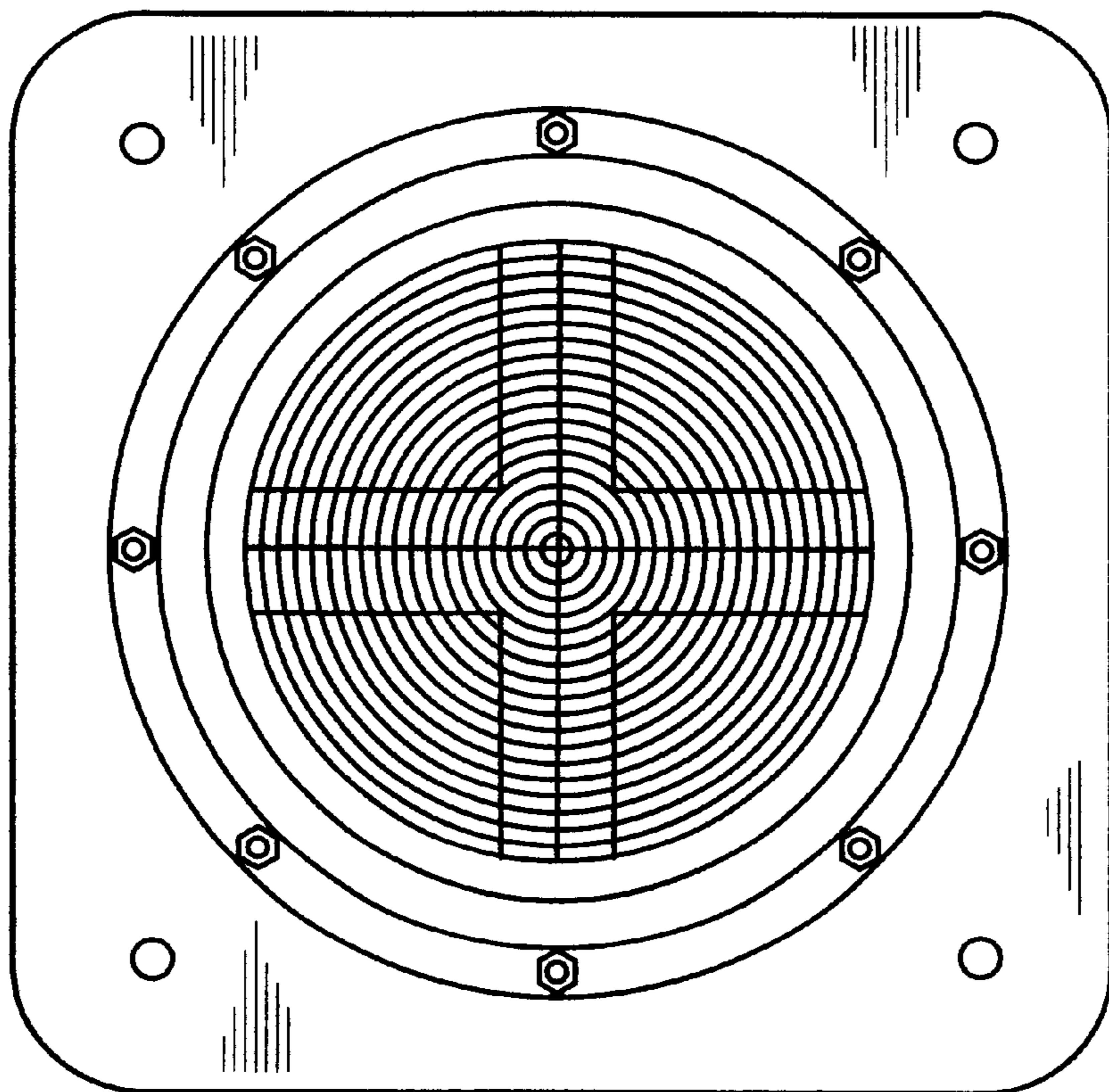


FIG. 5