



US00D446497B1

(12) **United States Design Patent**
Yu

(10) **Patent No.:** **US D446,497 S**

(45) **Date of Patent:** **** Aug. 14, 2001**

(54) **RECHARGEABLE BATTERY PACK WITH
BUILT-IN DC JACK FOR HANDHELD
ELECTRONIC GAMES**

D. 423,448 * 4/2000 Yu D13/103
D. 424,512 * 5/2000 Ho D13/103
D. 430,106 * 8/2000 Lee D13/103
D. 439,218 * 3/2001 Yu D13/103

(75) **Inventor:** **Man-Chiu Yu, Kowloon (CN)**

* cited by examiner

(73) **Assignee:** **Storm Electronics Company Limited,
Hong Kong (CN)**

Primary Examiner—Joel Sincavage

(74) *Attorney, Agent, or Firm*—Alix, Yale & Ristas, LLP

(**) **Term:** **14 Years**

(57) **CLAIM**

(21) **Appl. No.:** **29/129,264**

The ornamental design for a rechargeable battery pack with built-in DC jack for handheld electronic games, as shown and described.

(22) **Filed:** **Sep. 11, 2000**

(30) **Foreign Application Priority Data**

DESCRIPTION

May 26, 2000 (HK) 0010641

FIG. 1 is a perspective view of a rechargeable battery pack with built-in DC jack for handheld electronic games showing my new design;

(51) **LOC (7) Cl.** **13-02**

FIG. 2 is a front elevational view thereof;

(52) **U.S. Cl.** **D13/103**

FIG. 3 is a rear elevational view thereof;

(58) **Field of Search** D13/103, 119;

FIG. 4 is a right side elevational view thereof;

429/96-100, 159, 163, 176

FIG. 5 is a left side elevational view thereof;

FIG. 6 is a bottom plan view thereof; and,

FIG. 7 is a top plan view thereof.

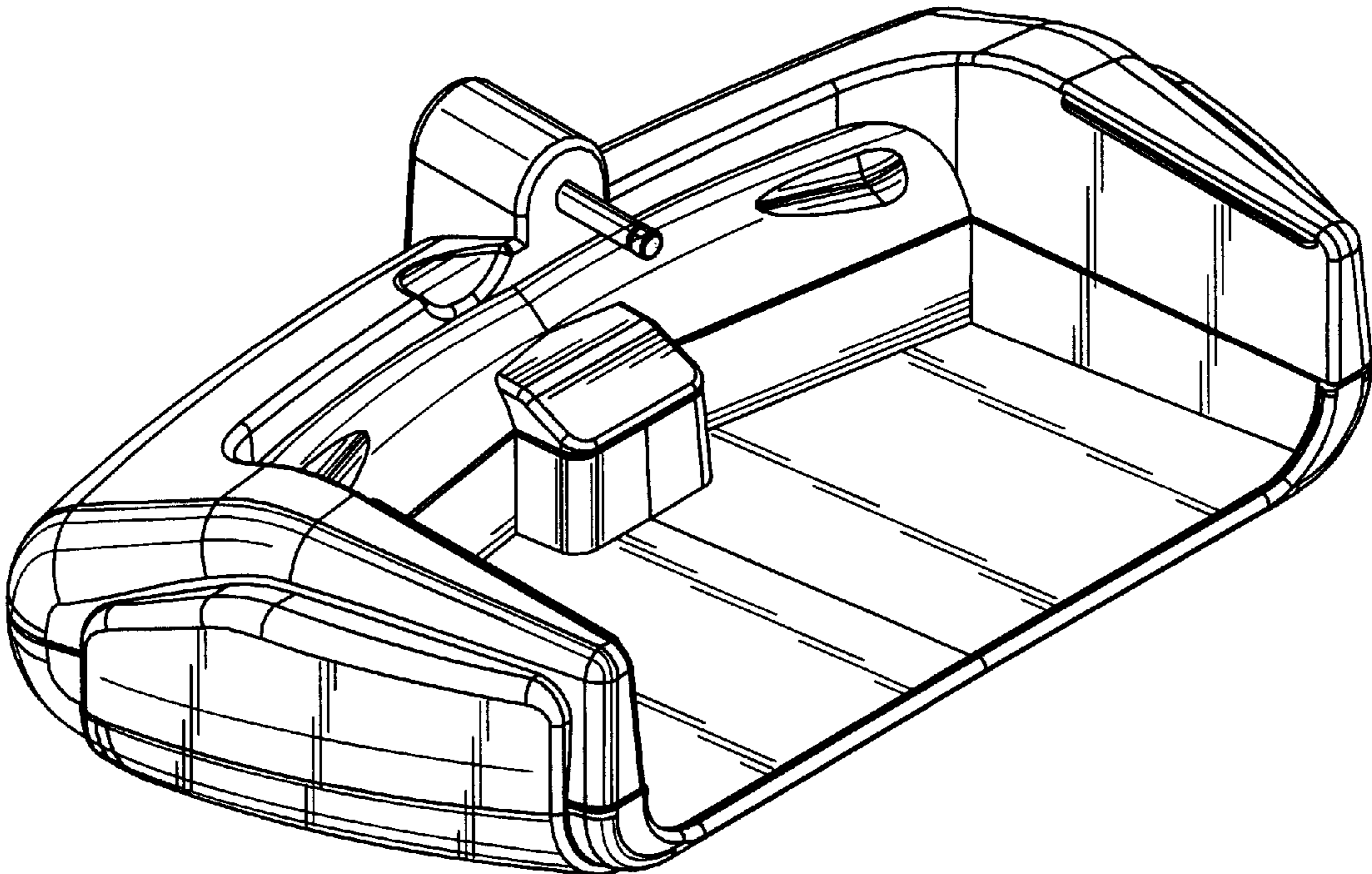
(56) **References Cited**

U.S. PATENT DOCUMENTS

D. 320,018 * 9/1991 Bakanowsky, III D14/172

D. 420,008 * 2/2000 Lohrding et al. D14/240

1 Claim, 4 Drawing Sheets



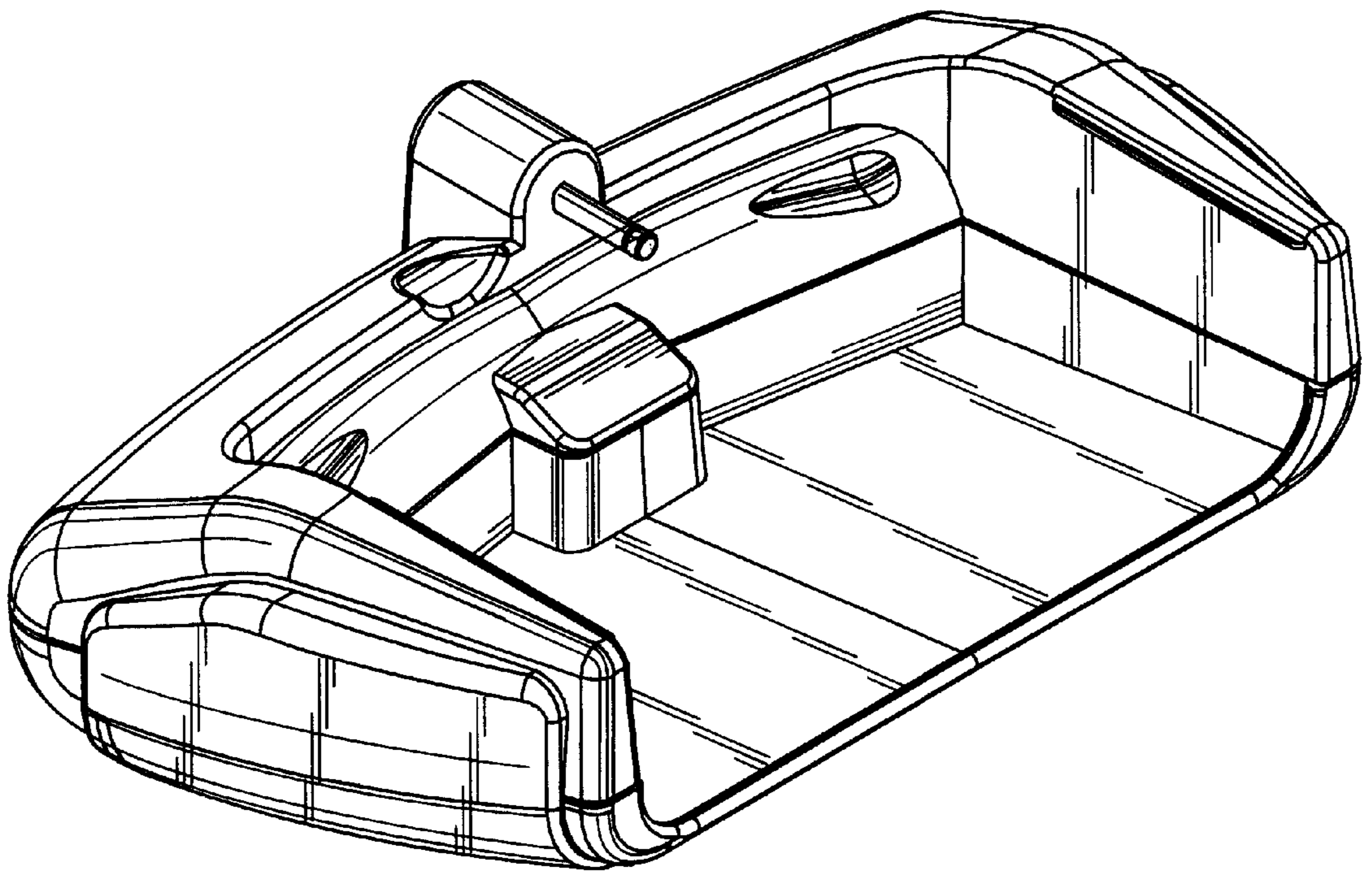


FIG. 1

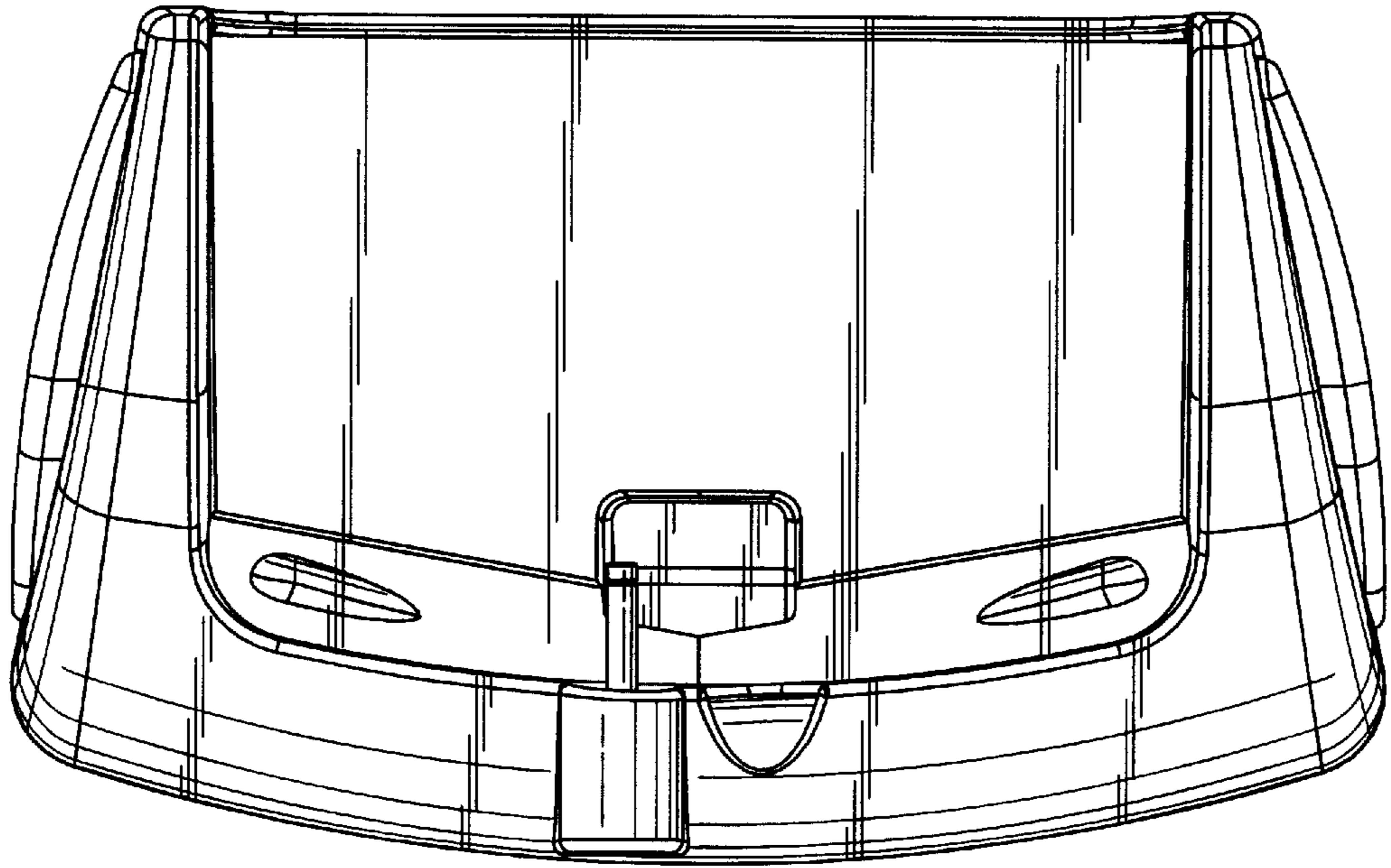


FIG. 2

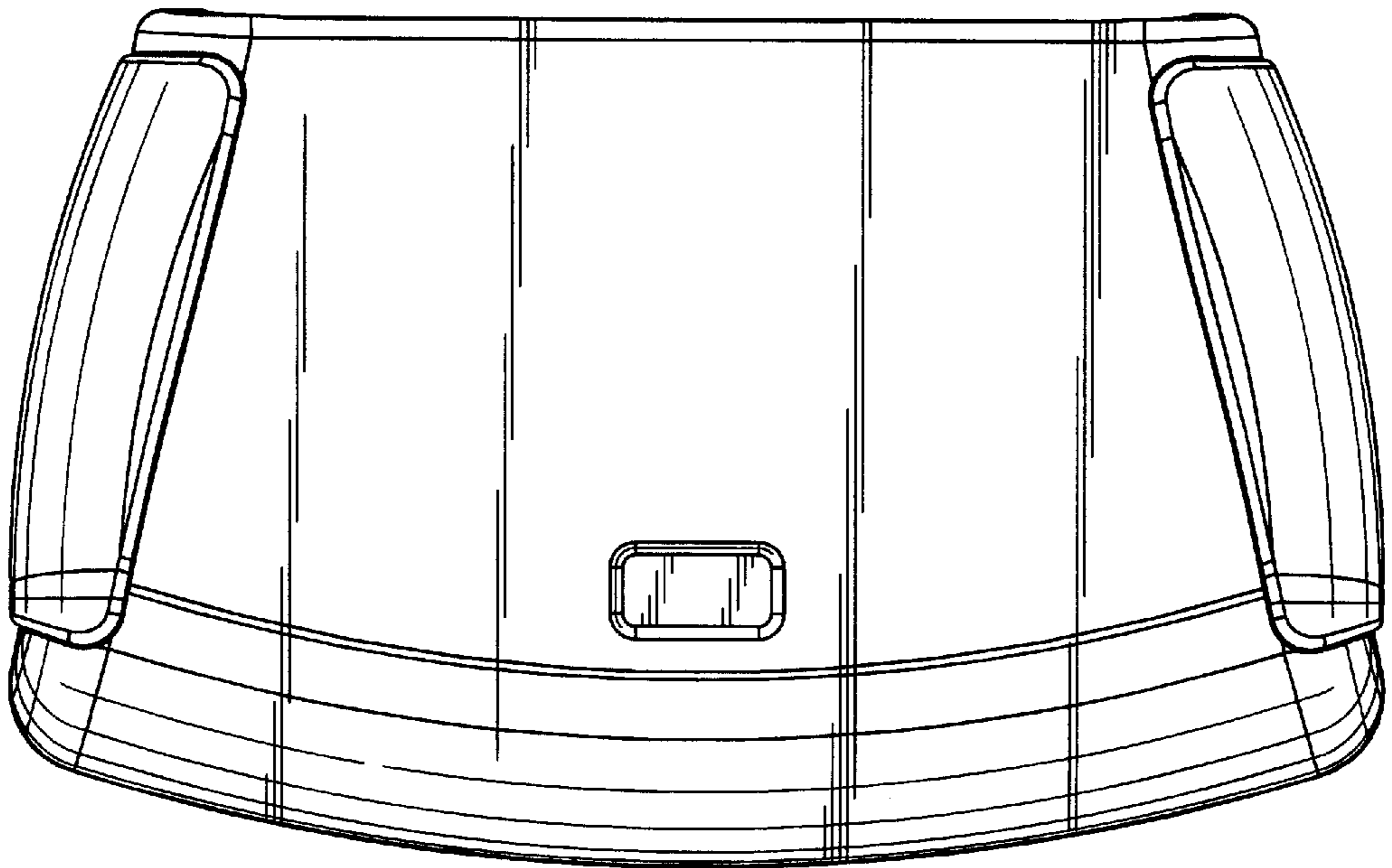


FIG. 3

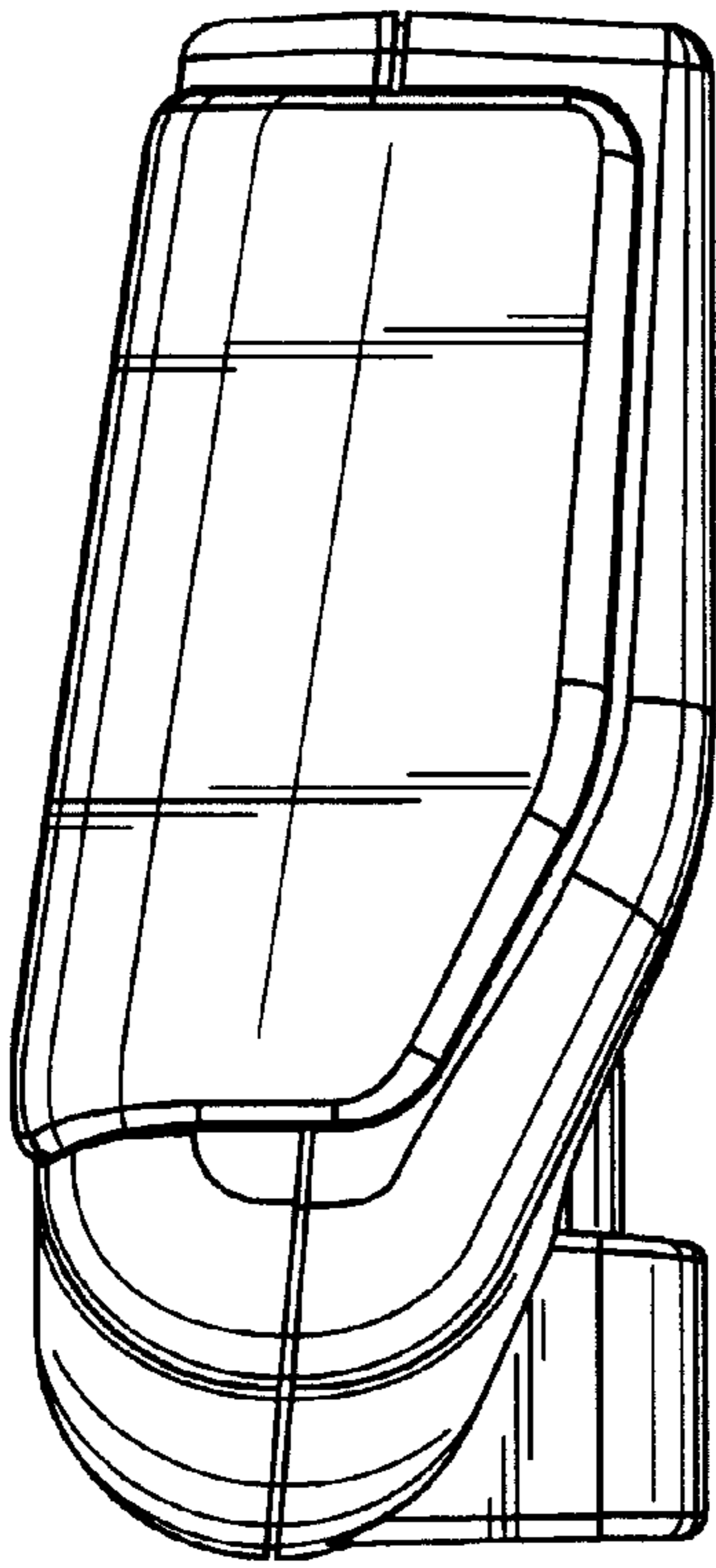


FIG. 4

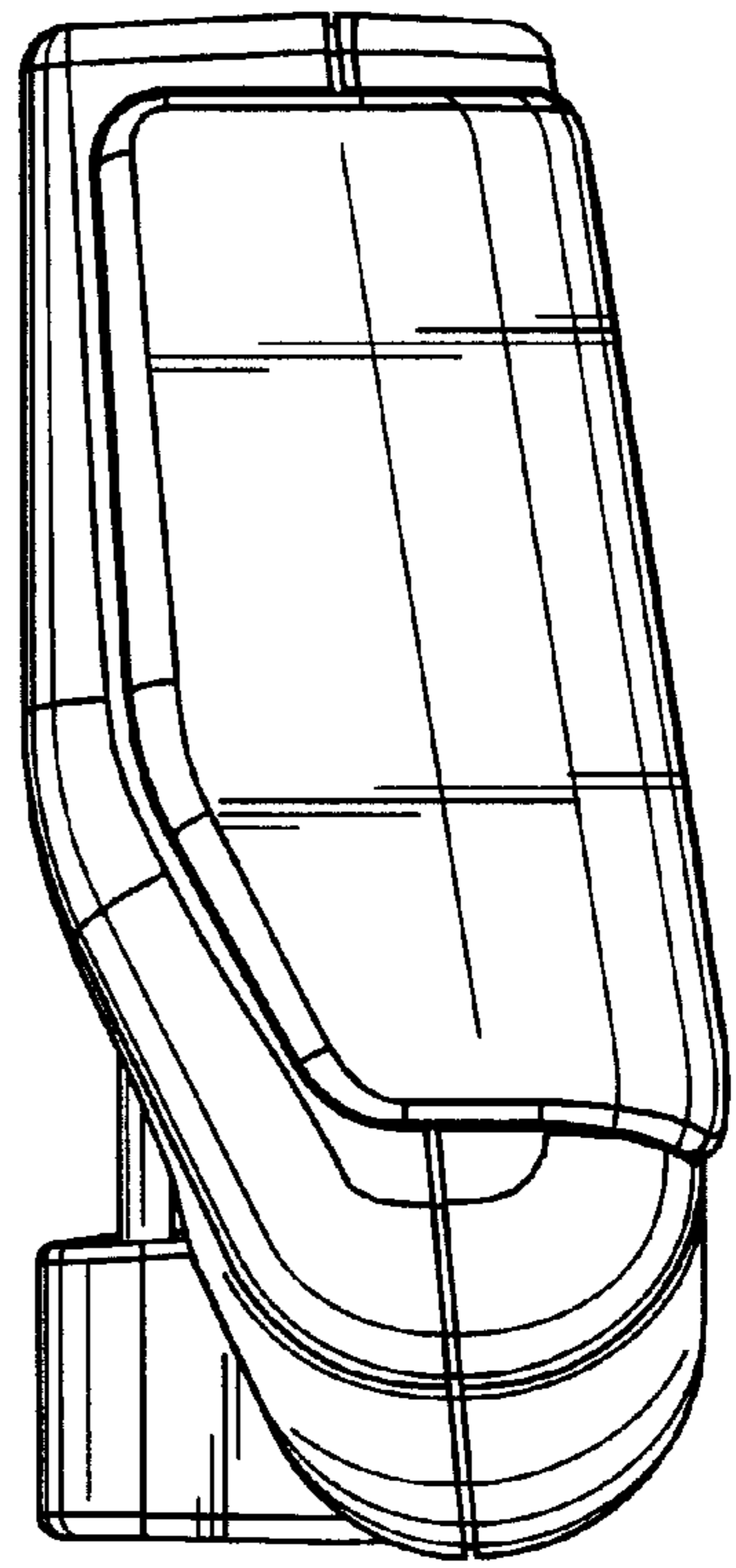


FIG. 5

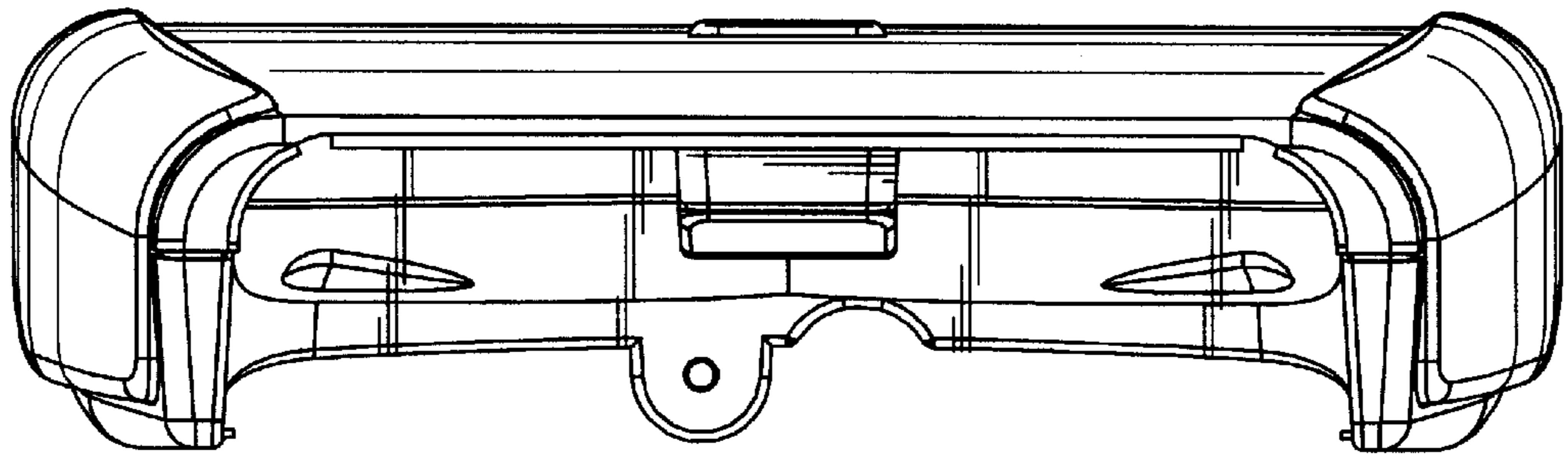


FIG. 6

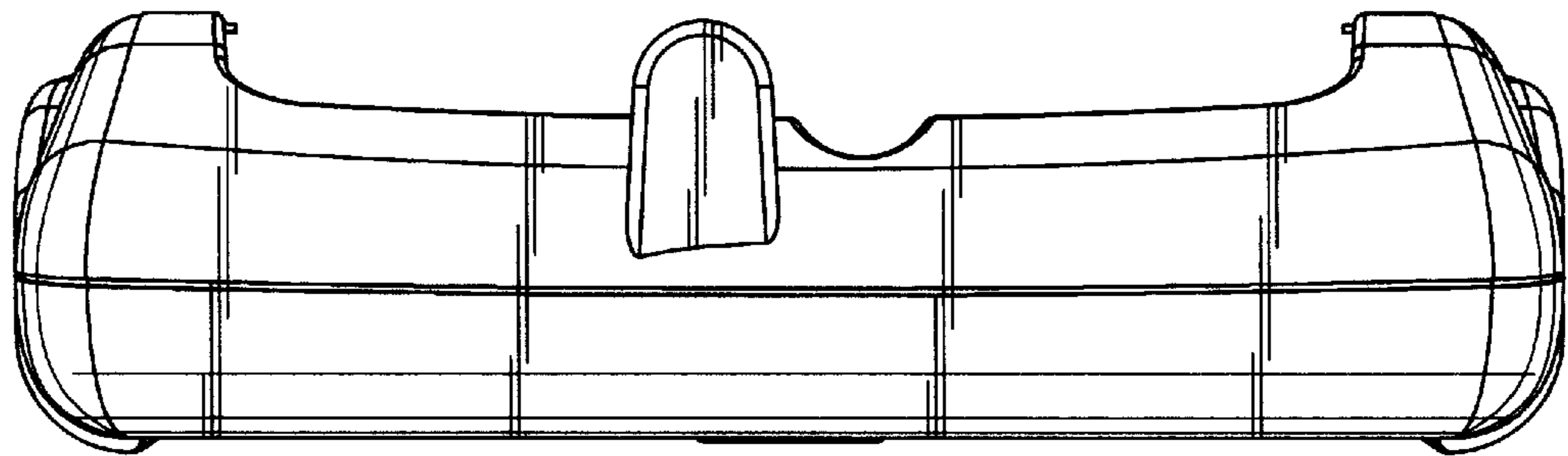


FIG. 7