



US00D446490B1

(12) **United States Design Patent**
Musso, Jr. et al.

(10) **Patent No.:** **US D446,490 S**
(45) **Date of Patent:** **** Aug. 14, 2001**

(54) **DUMP TRUCK BODY PANEL**
(75) Inventors: **Charles S. Musso, Jr.**, Hammondsport;
Tom Musso, Bath, both of NY (US)
(73) Assignee: **Air-Flo Manufacturing Company,**
Inc., Prattsburg, NY (US)

4,886,214 12/1989 Musso, Jr. et al. .
5,310,119 5/1994 Musso, Jr. et al. .
5,397,172 3/1995 Musso, Jr. et al. .
5,400,974 3/1995 Musso, Jr. et al. .
5,437,499 8/1995 Musso .
5,618,002 4/1997 Cervelli et al. .
5,927,617 7/1999 Musso, Jr. et al. .

(**) Term: **14 Years**

* cited by examiner

(21) Appl. No.: **29/119,430**

Primary Examiner—Melody N. Brown

(22) Filed: **Feb. 29, 2000**

(74) *Attorney, Agent, or Firm*—Nixon Peabody LLP

(51) **LOC (7) Cl.** **12-16**
(52) **U.S. Cl.** **D12/196**
(58) **Field of Search** D12/15, 196, 93,
D12/14, 98; 298/23 C, 23 M, 11, 30; 296/184,
291, 56, 57.1; 414/477, 476, 480; 239/672,
657, 664

(57) **CLAIM**

The ornamental design for a dump truck body panel, as shown and described.

(56) **References Cited**

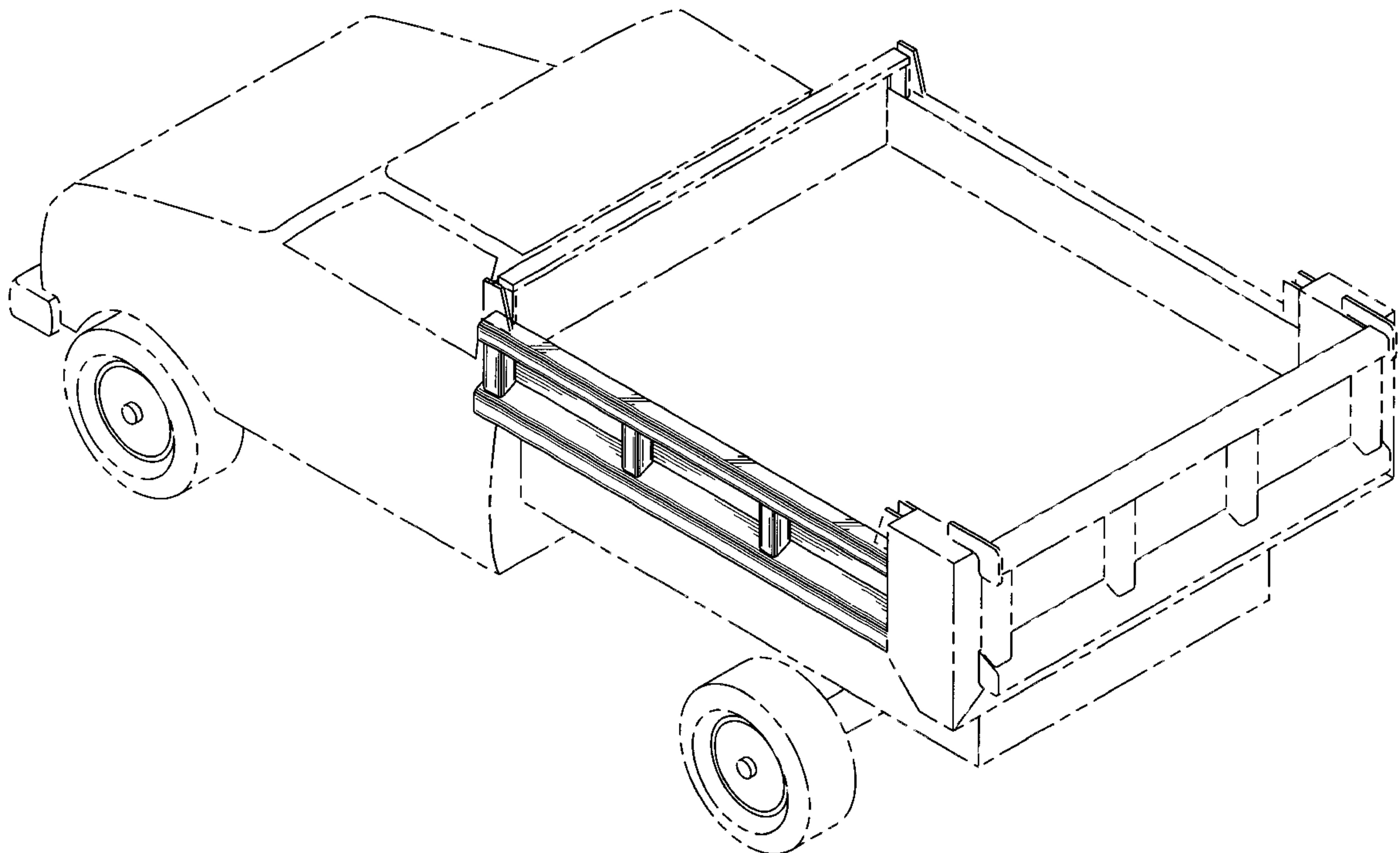
DESCRIPTION

U.S. PATENT DOCUMENTS

D. 301,572 * 6/1989 McKinnon D12/196
D. 349,872 * 8/1994 Chaseling et al. D12/15
D. 386,128 * 11/1997 Gerding et al. D12/93
D. 412,682 * 8/1999 Greeding et al. D12/15
D. 429,662 * 8/2000 Smith et al. D12/93
3,947,065 3/1976 Geiger .
4,266,731 5/1981 Musso, Jr. .
4,288,119 9/1981 Geiger .

FIG. 1 is a perspective view of a dump truck body panel embodying my design;
FIG. 2 is a top view of the dump truck body panel;
FIG. 3 is a right side view of the dump truck body panel;
FIG. 4 is a back view of the dump truck body panel;
FIG. 5 is a front view of the dump truck body panel;
FIG. 6 is a bottom view of the dump truck body panel; and,
FIG. 7 is a left side view of the dump truck body panel.
The broken lines shown throughout the drawing views are for illustrative purposes only and form no part of the claimed design.

1 Claim, 5 Drawing Sheets



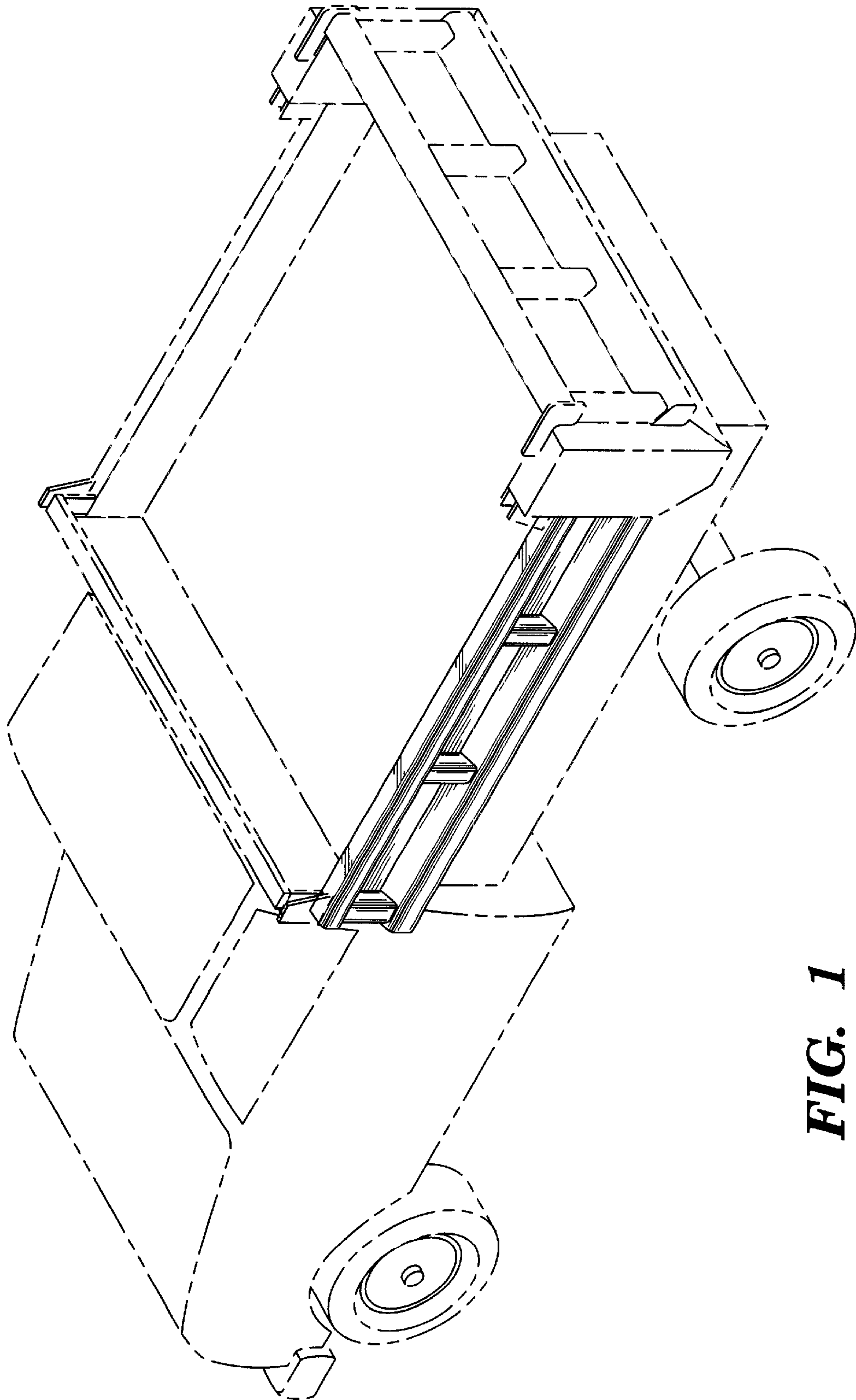


FIG. 1

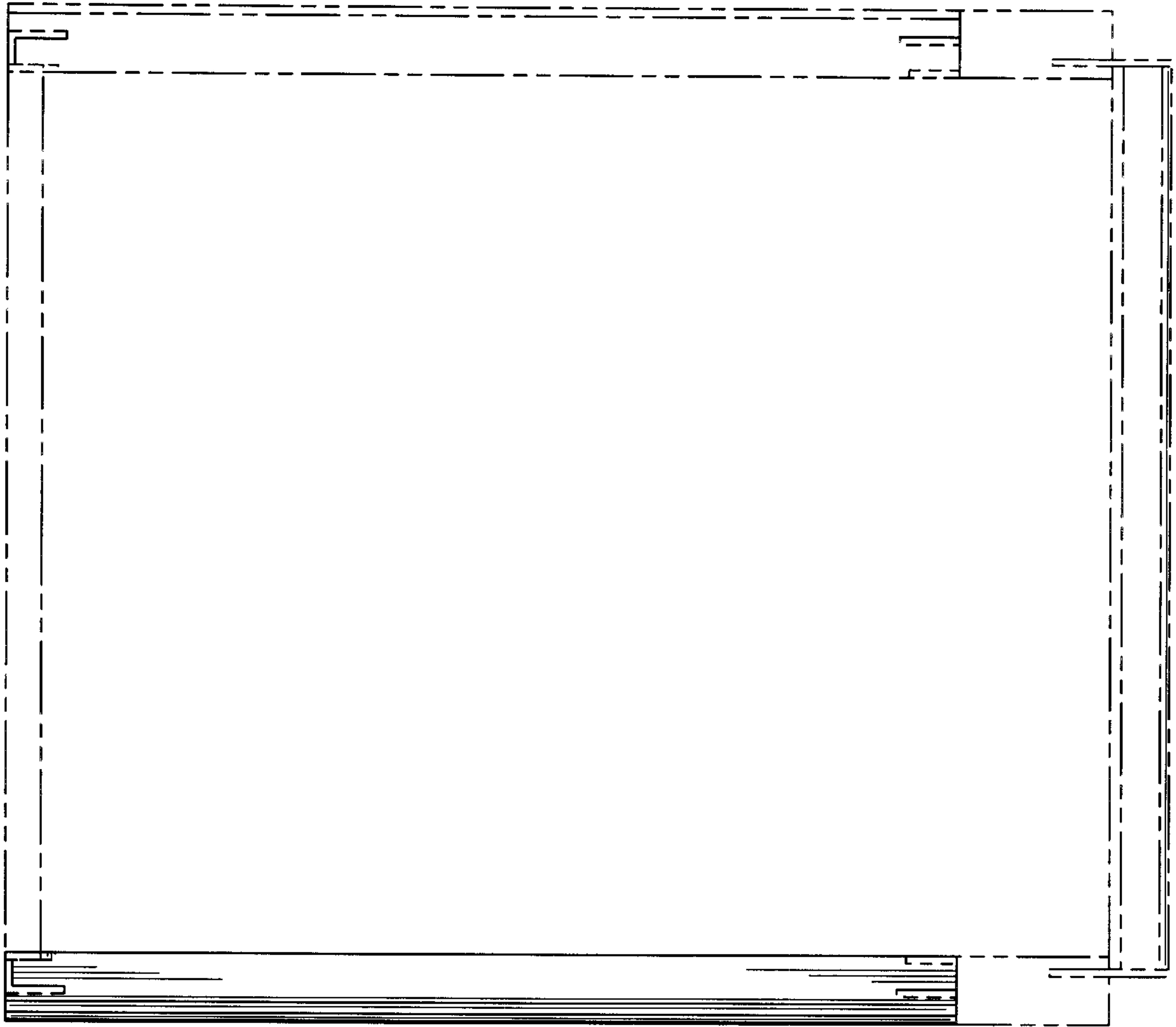


FIG. 2

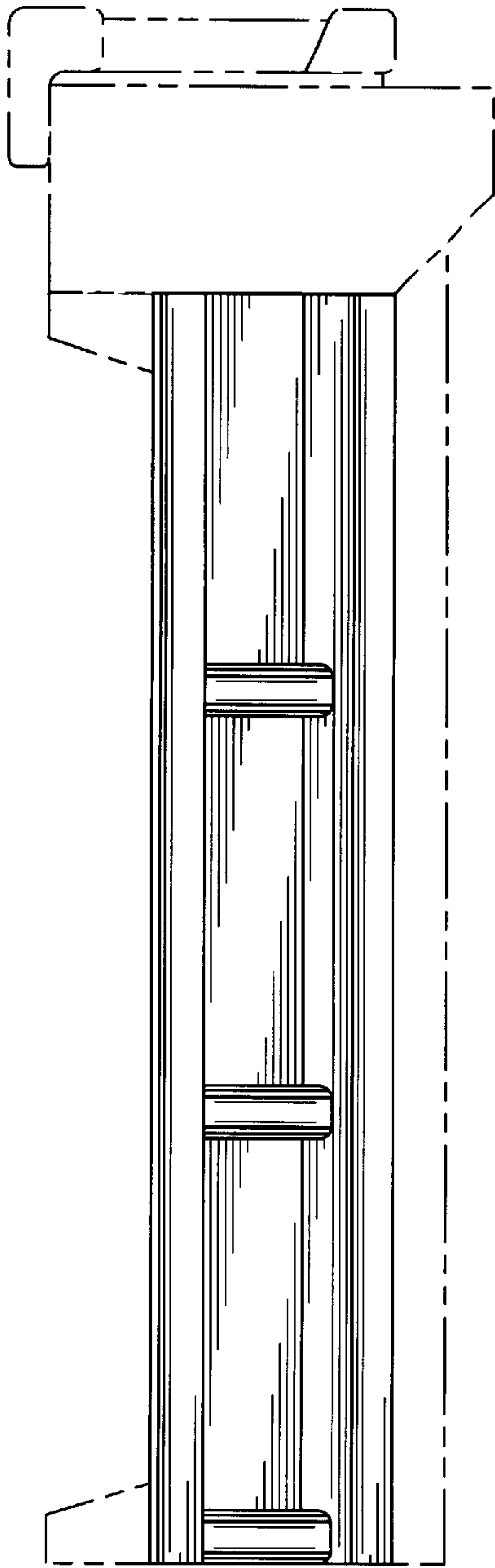


FIG. 3

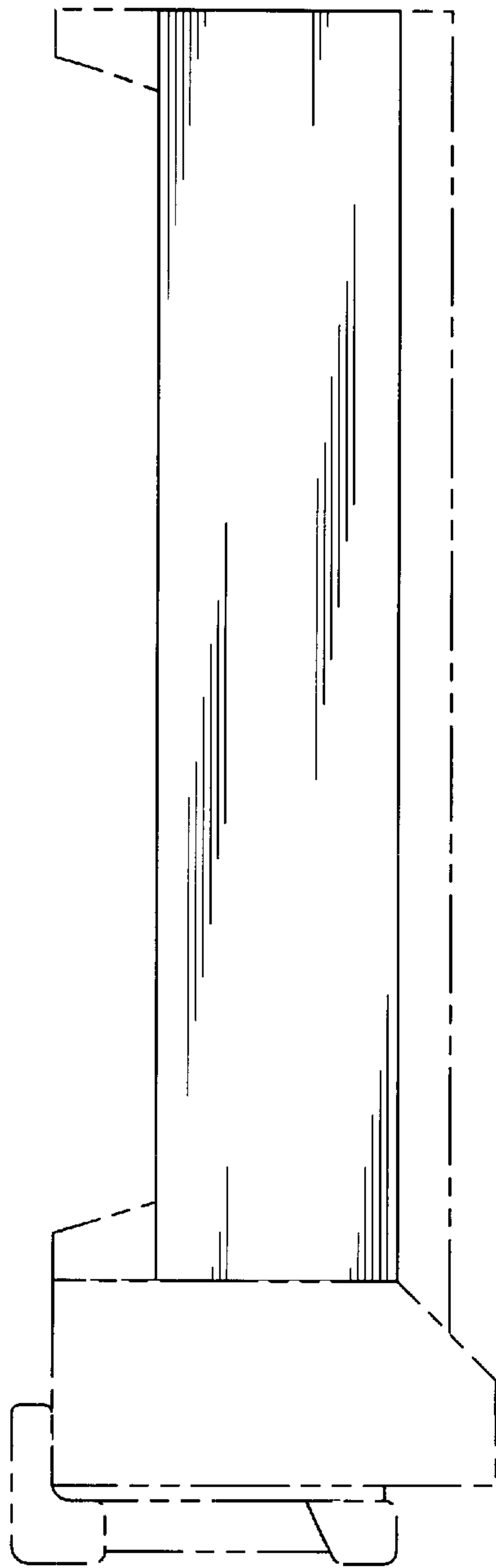


FIG. 7

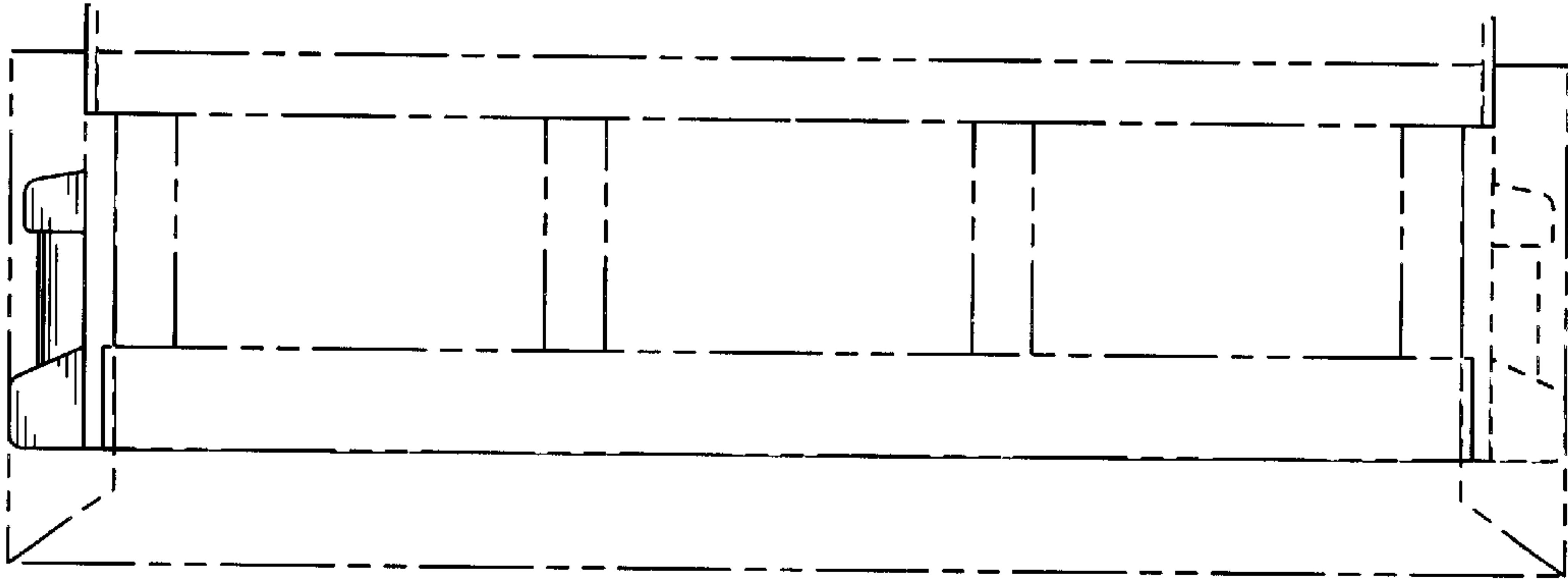


FIG. 4

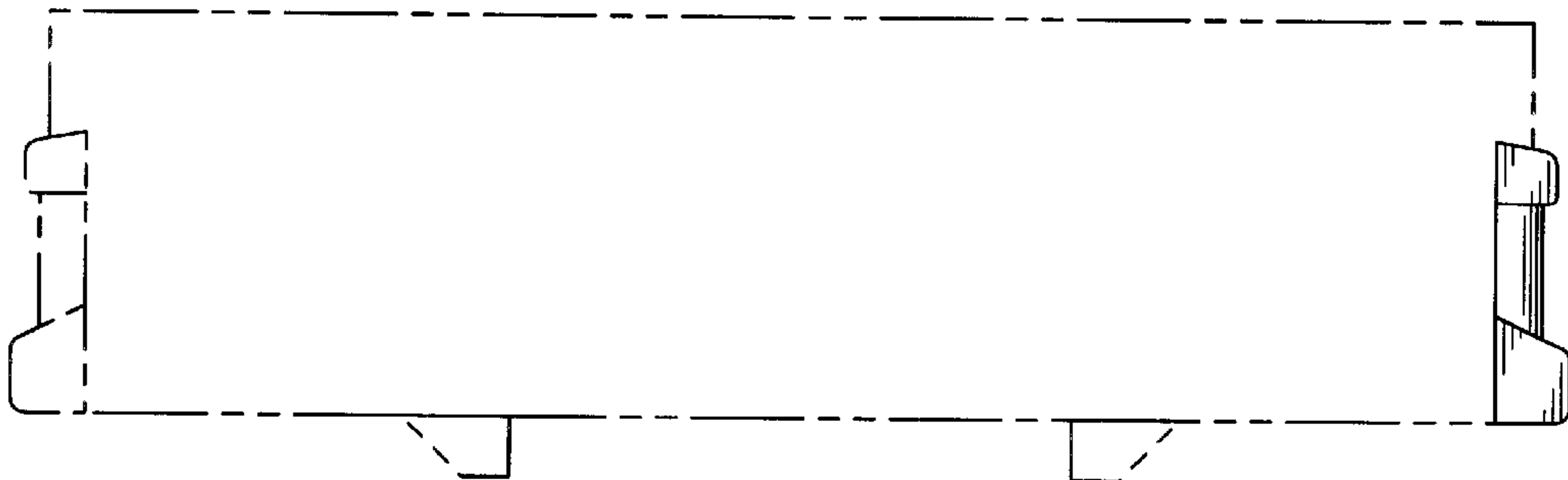


FIG. 5

FIG. 6

