



US00D446488B1

(12) **United States Design Patent**
Hancock et al.

(10) **Patent No.:** **US D446,488 S**

(45) **Date of Patent:** **** Aug. 14, 2001**

(54) **CONTROL LEVER EXTENDER**

Primary Examiner—Alan P. Douglas

Assistant Examiner—Linda Brooks

(76) Inventors: **Dennis H. Hancock**, 5752 N.
Silverstone Cir., Mountain Green, UT
(US) 84050; **Jeffrey D. Hancock**, 6702
S. 1800 East, Uintah, UT (US) 84405

(**) Term: **14 Years**

(21) Appl. No.: **29/131,619**

(22) Filed: **Oct. 26, 2000**

(51) **LOC (7) Cl.** **12-16**

(52) **U.S. Cl.** **D12/179**

(58) **Field of Search** D12/111, 124,
D12/110, 114, 174, 178, 179, 180; 188/79.55,
24.11, 24.15, 24.22; 180/219; 280/288.4;
74/484 R, 488, 489, 491, 495, 551.1, 551.8,
551.9, 502.2, 558.5

(56) **References Cited**

U.S. PATENT DOCUMENTS

D. 330,000	*	10/1992	DeMuro, Jr.	D12/179
3,760,648	*	9/1973	Hoffman	74/489
3,937,629	*	2/1976	Hamasaka	74/551.8
4,862,762	*	9/1989	Ross	74/551.1
5,299,466	*	4/1994	Heilbron et al.	74/502.2

OTHER PUBLICATIONS

Custom Chrome 1998 catalog, levers on p. 5.9 and lever covers on p. 5.11.*

* cited by examiner

(57) **CLAIM**

The ornamental design for a control lever extender, as shown and described.

DESCRIPTION

FIG. 1 is a perspective view of a control lever extender showing our new design and with a vehicle handlebar and control lever in broken lines to show the use of the control lever extender;

FIG. 2, a perspective view of the control lever extender showing our new design;

FIG. 3, a side elevation view thereof;

FIG. 4, an opposite side elevation view thereof;

FIG. 5, a top plan view thereof;

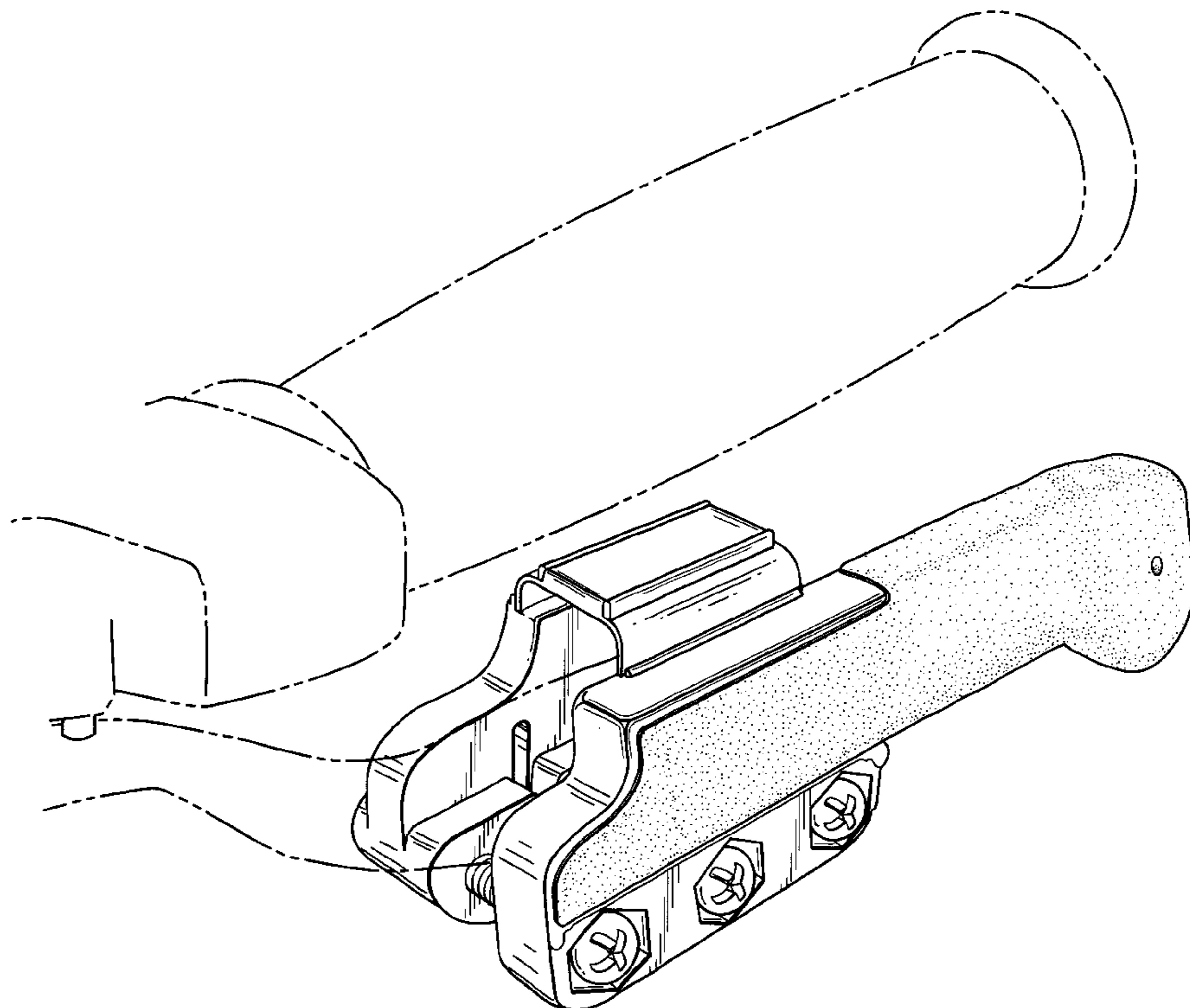
FIG. 6, a bottom plan view thereof;

FIG. 7, a front elevation view thereof;

FIG. 8, a rear elevation view thereof; and,

FIG. 9, a top plan view of the control lever extender laid out flat.

1 Claim, 4 Drawing Sheets



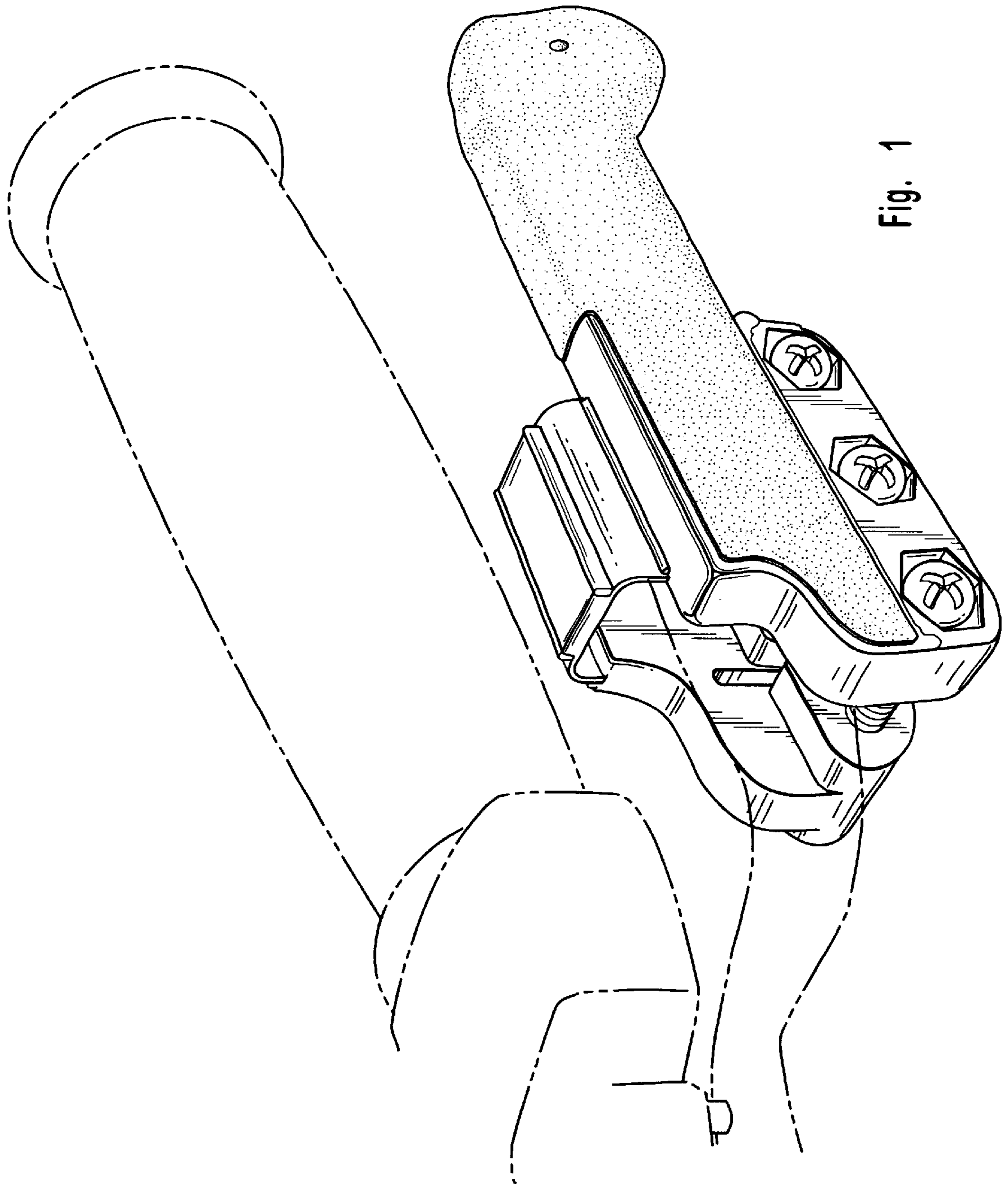


Fig. 1

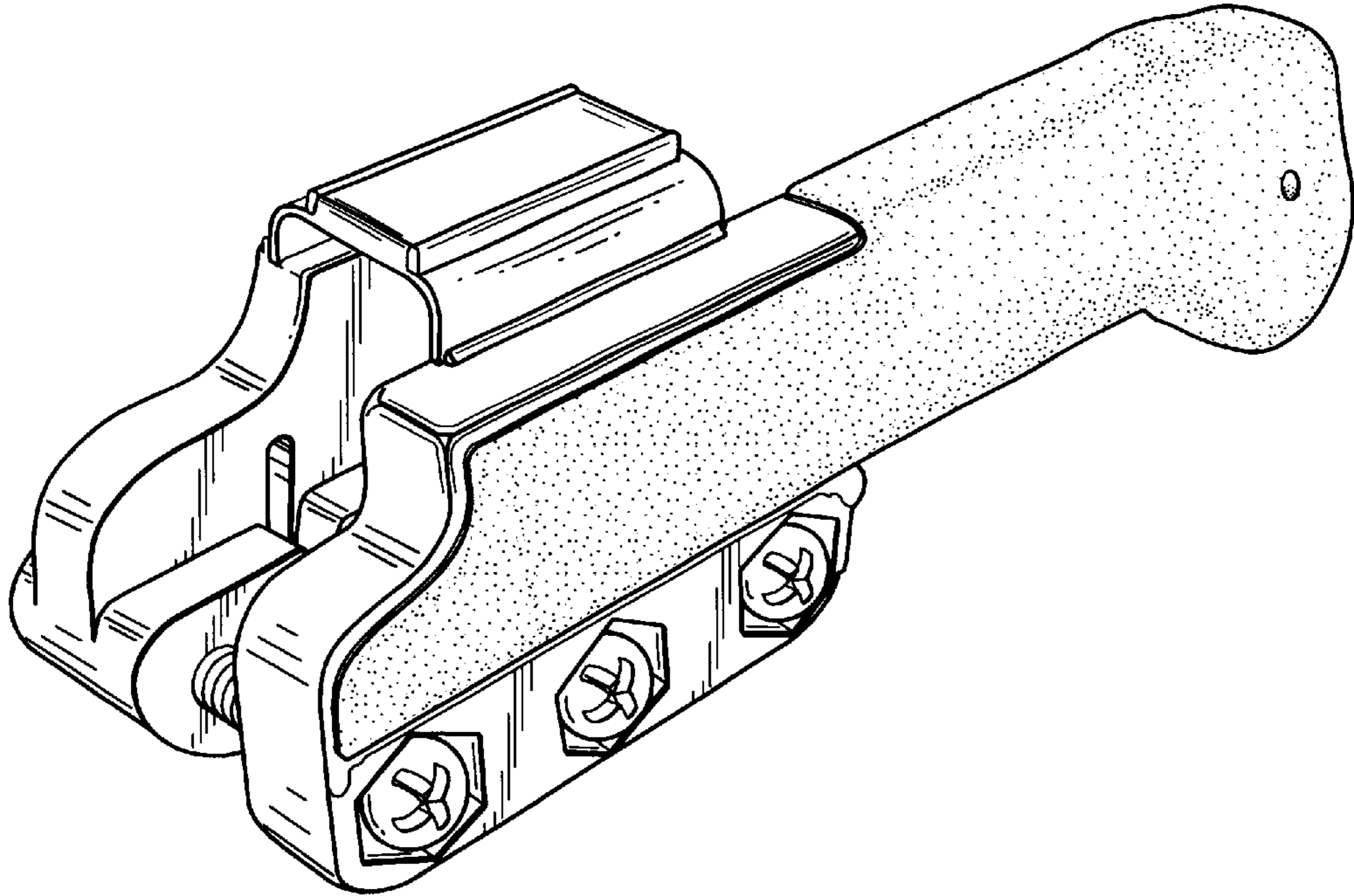


Fig. 2

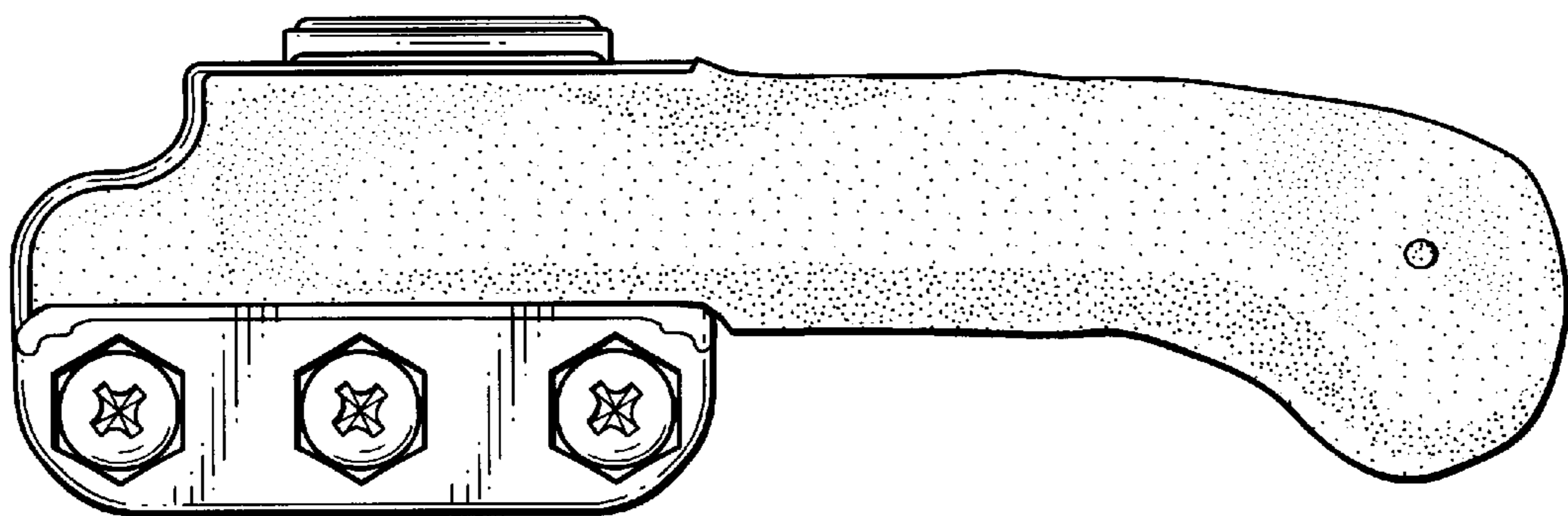


Fig. 3

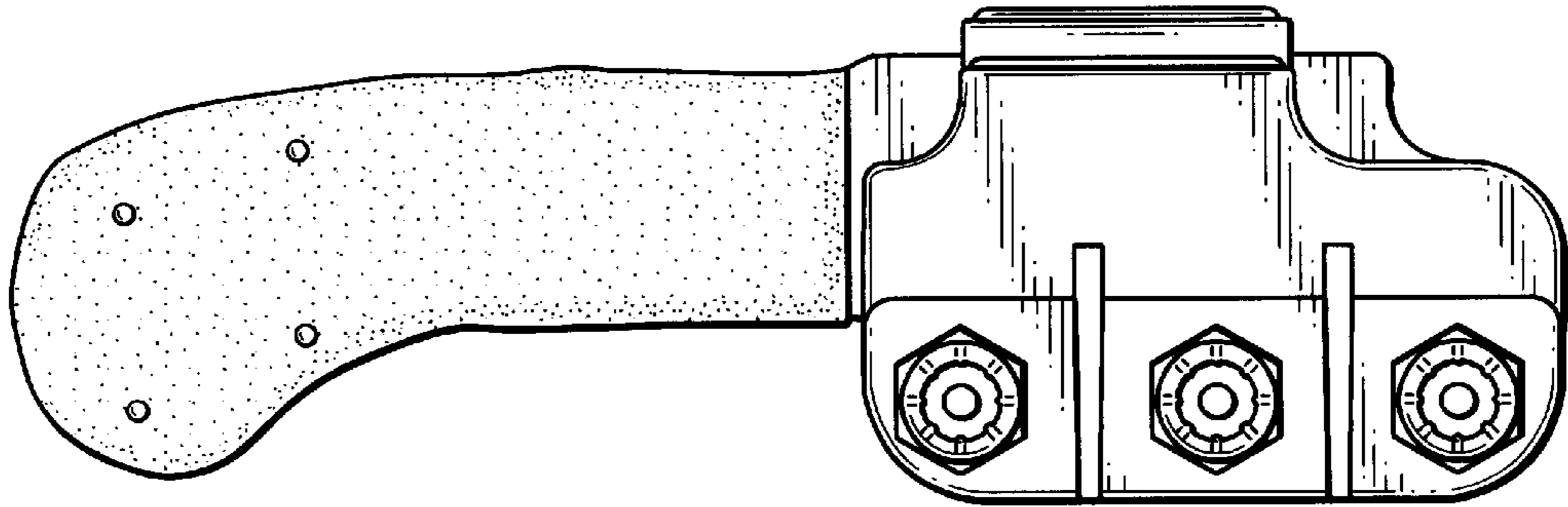


Fig. 4

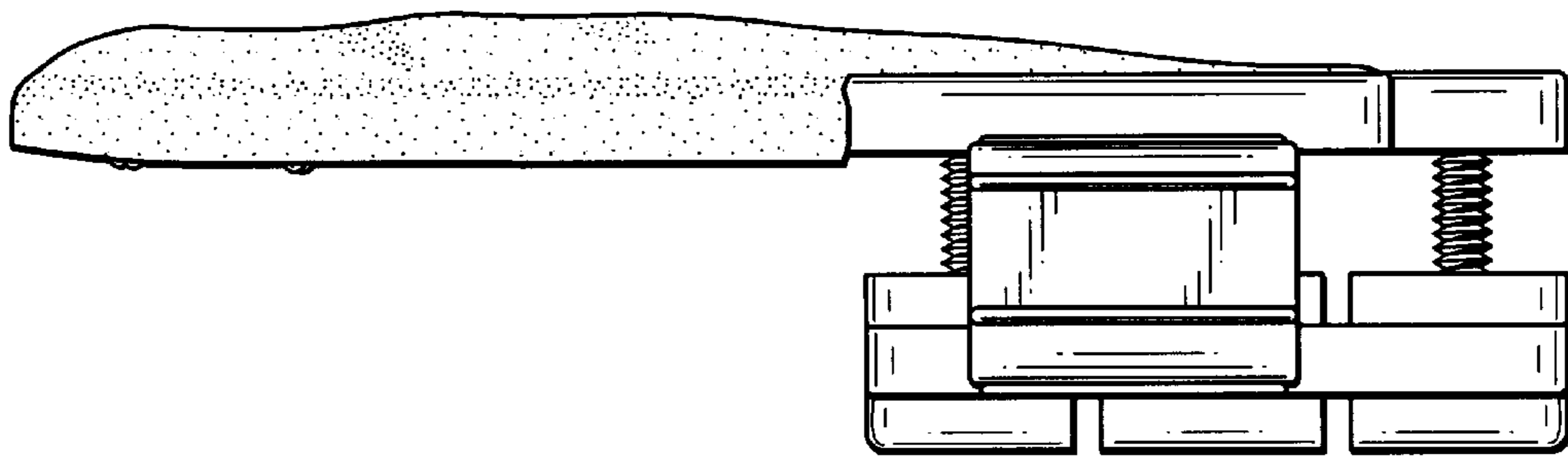


Fig. 5

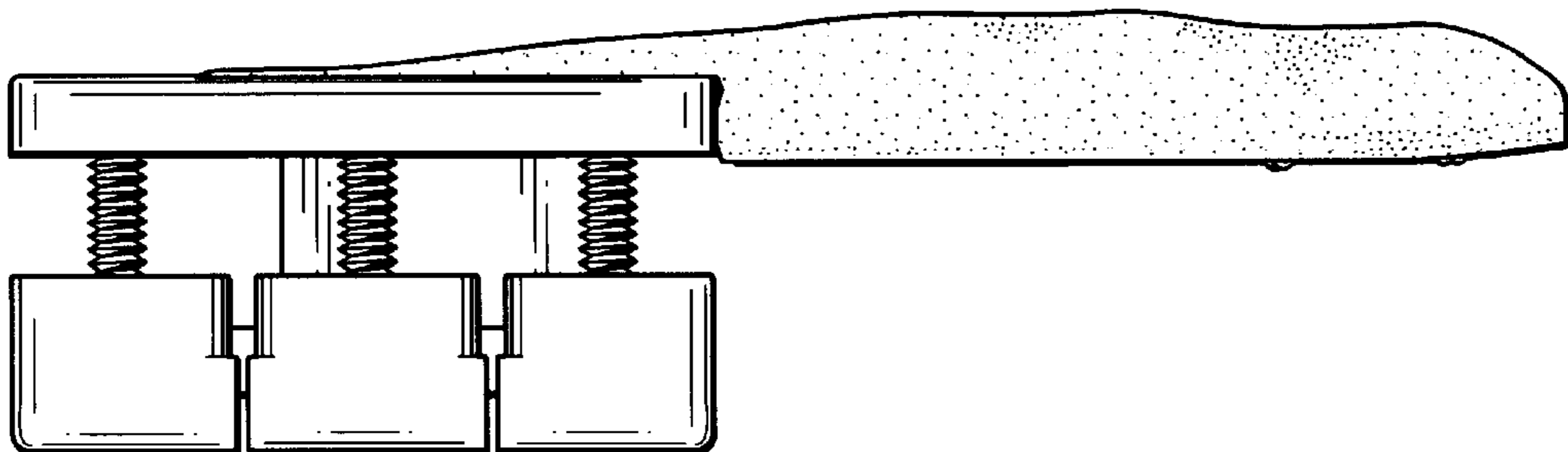


Fig. 6

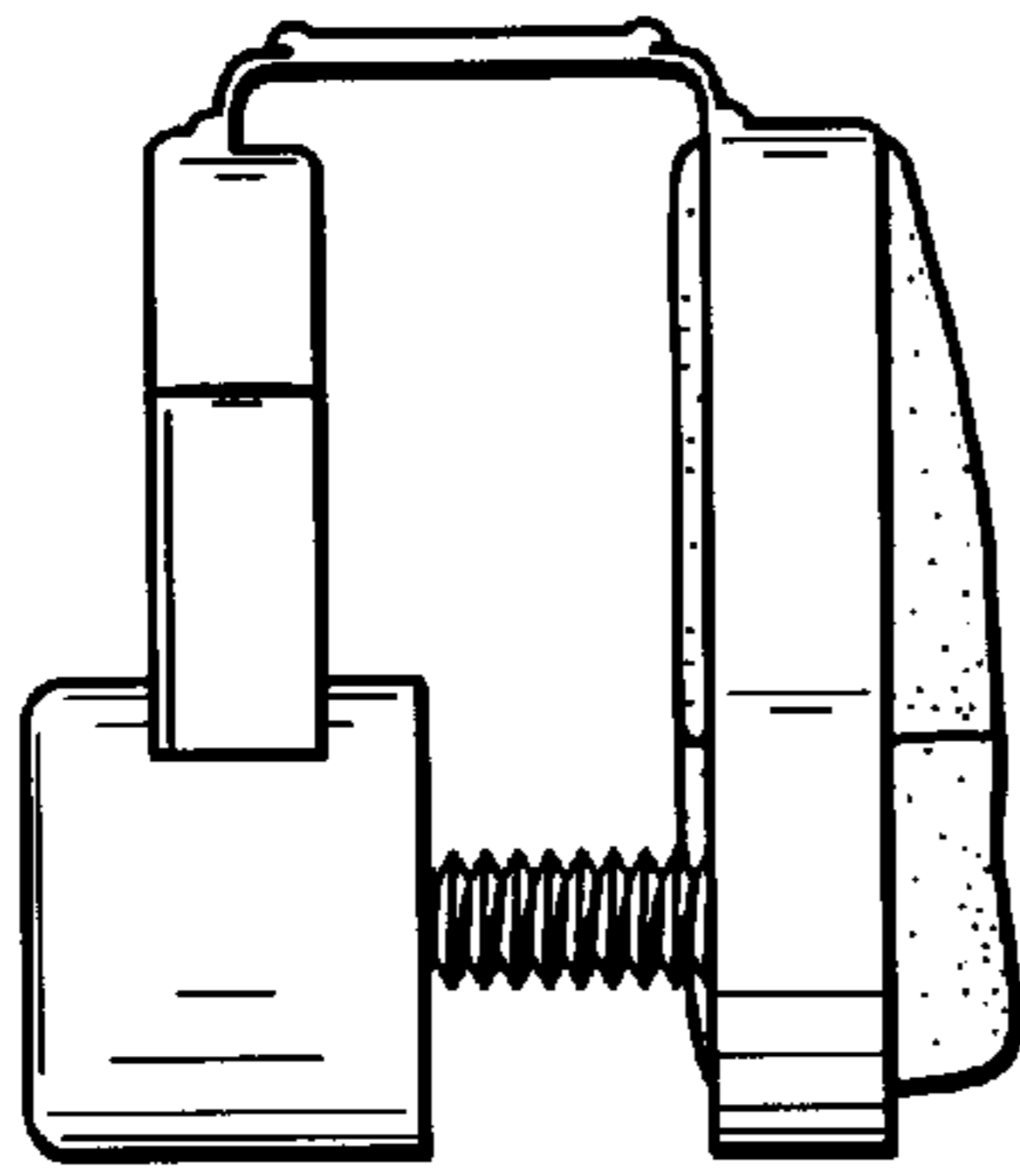


Fig. 7

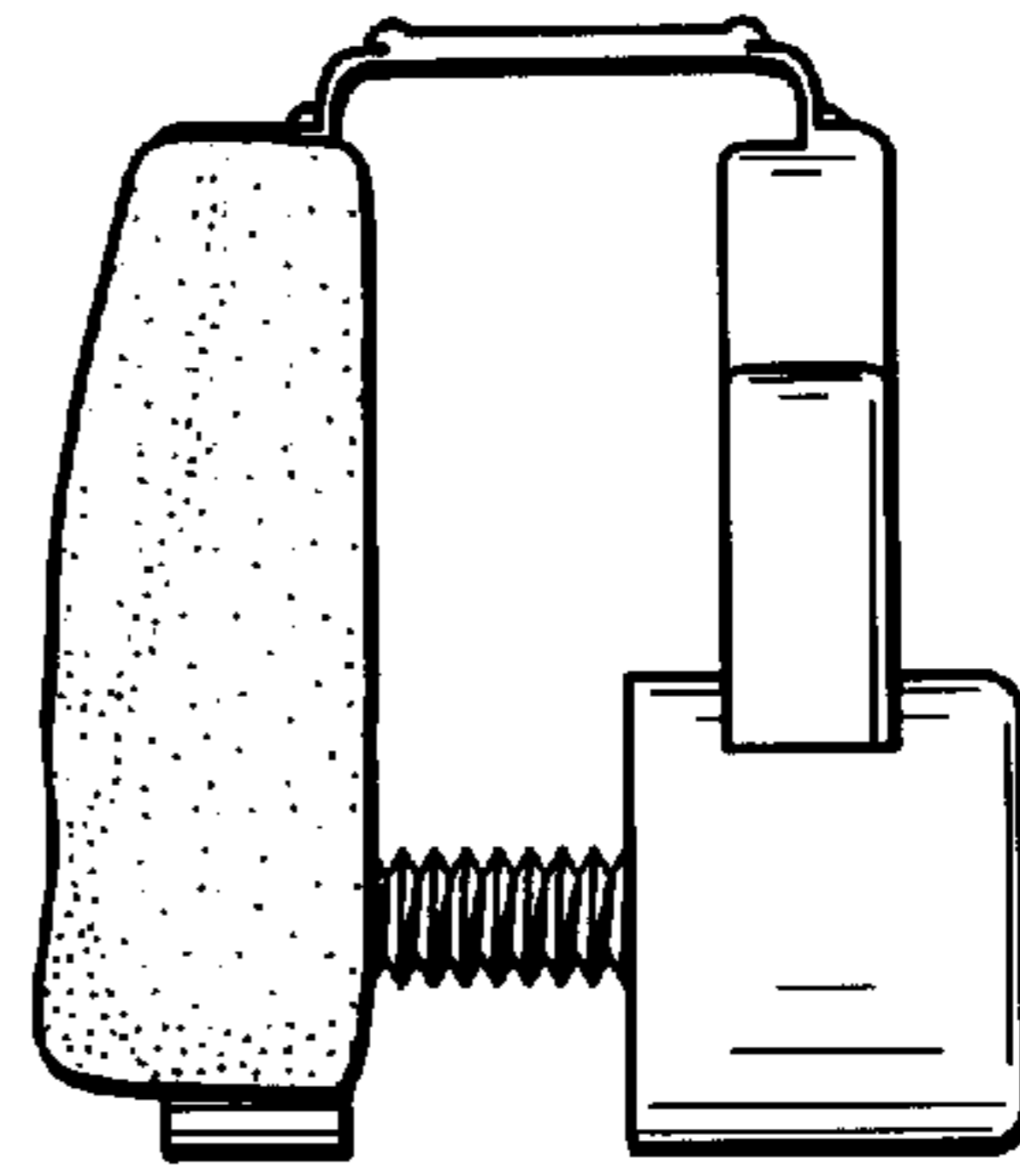


Fig. 8

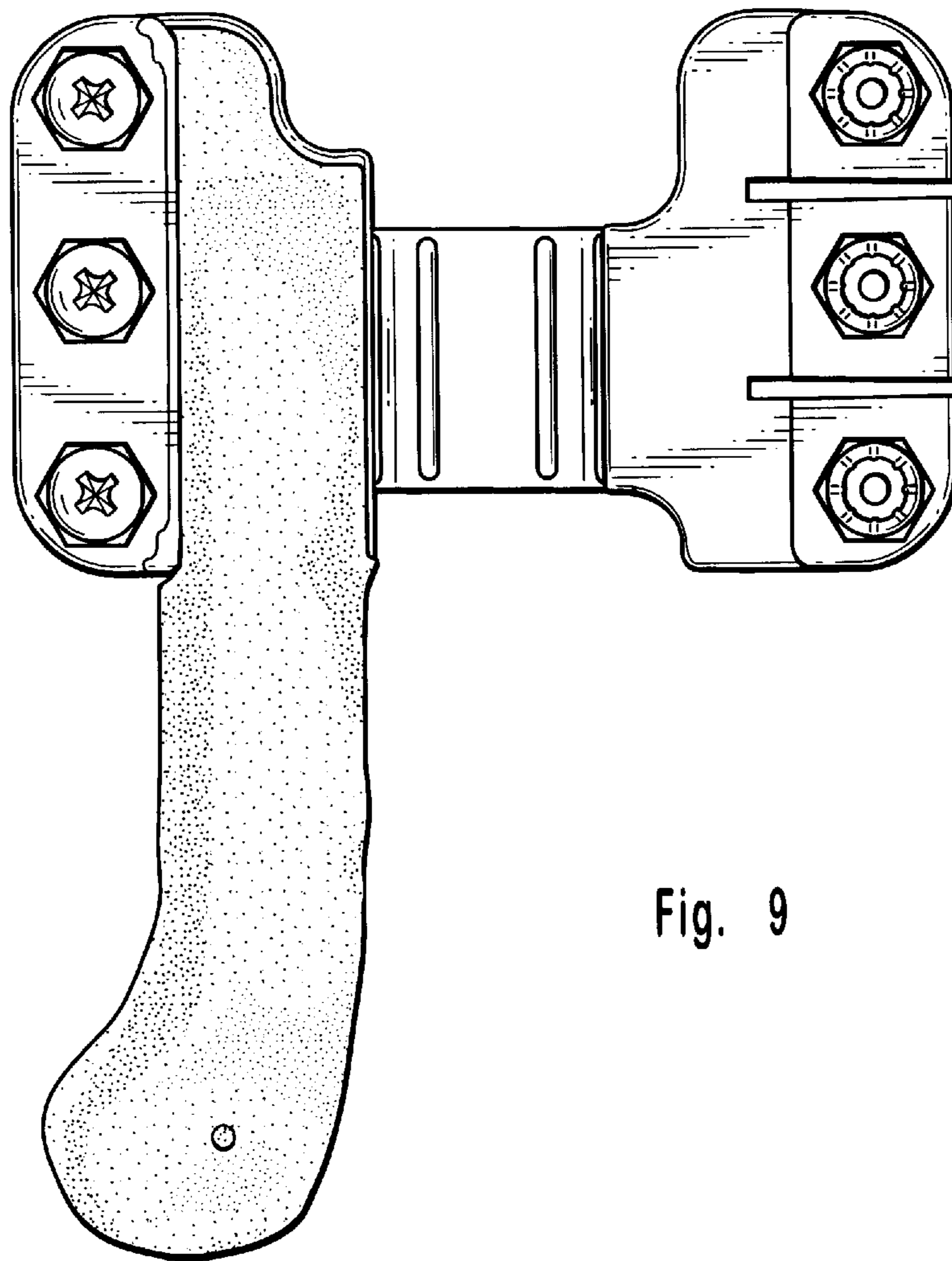


Fig. 9