



US00D446484B1

(12) **United States Design Patent**
Martel

(10) **Patent No.:** **US D446,484 S**

(45) **Date of Patent:** **** Aug. 14, 2001**

(54) **VEHICLE DOOR GUARD**

(76) Inventor: **Maureen M. Martel**, 2222 Montclair,
Sarasota, FL (US) 34231

(**) Term: **14 Years**

(21) Appl. No.: **29/134,241**

(22) Filed: **Nov. 8, 2000**

(51) **LOC (7) Cl.** **12-16**

(52) **U.S. Cl.** **D12/167**

(58) **Field of Search** D12/167; 293/128,
293/102, 1, 140, 126; 280/770; 428/31;
296/136, 153

(56) **References Cited**

U.S. PATENT DOCUMENTS

D. 281,061	*	10/1985	Tortolani	D12/167
D. 309,593	*	7/1990	Bailey	D12/167
D. 315,542	*	3/1991	Dalton et al.	D12/167
D. 358,358	*	5/1995	Burroughs	D12/167
D. 437,810	*	2/2001	Runfola	D12/167
4,530,519	*	7/1985	Marshall	293/128
4,871,205		10/1989	Bray	.	
5,060,994		10/1991	Martin et al.	.	
5,267,763		12/1993	Klein	.	

* cited by examiner

Primary Examiner—Melody N. Brown

(74) *Attorney, Agent, or Firm*—Charles J. Prescott

(57) **CLAIM**

The ornamental design for a vehicle door guard, as shown and described.

DESCRIPTION

FIG. 1 is a perspective view of the invention in an open configuration;

FIG. 2 is a perspective view of the invention installed onto the side door panels of a vehicle;

FIG. 3 is a side elevation view of FIG. 2;

FIG. 4 is a left end elevation view of the invention in the closed or stored position;

FIG. 5 is a right end elevation view of the invention in a closed or stored position;

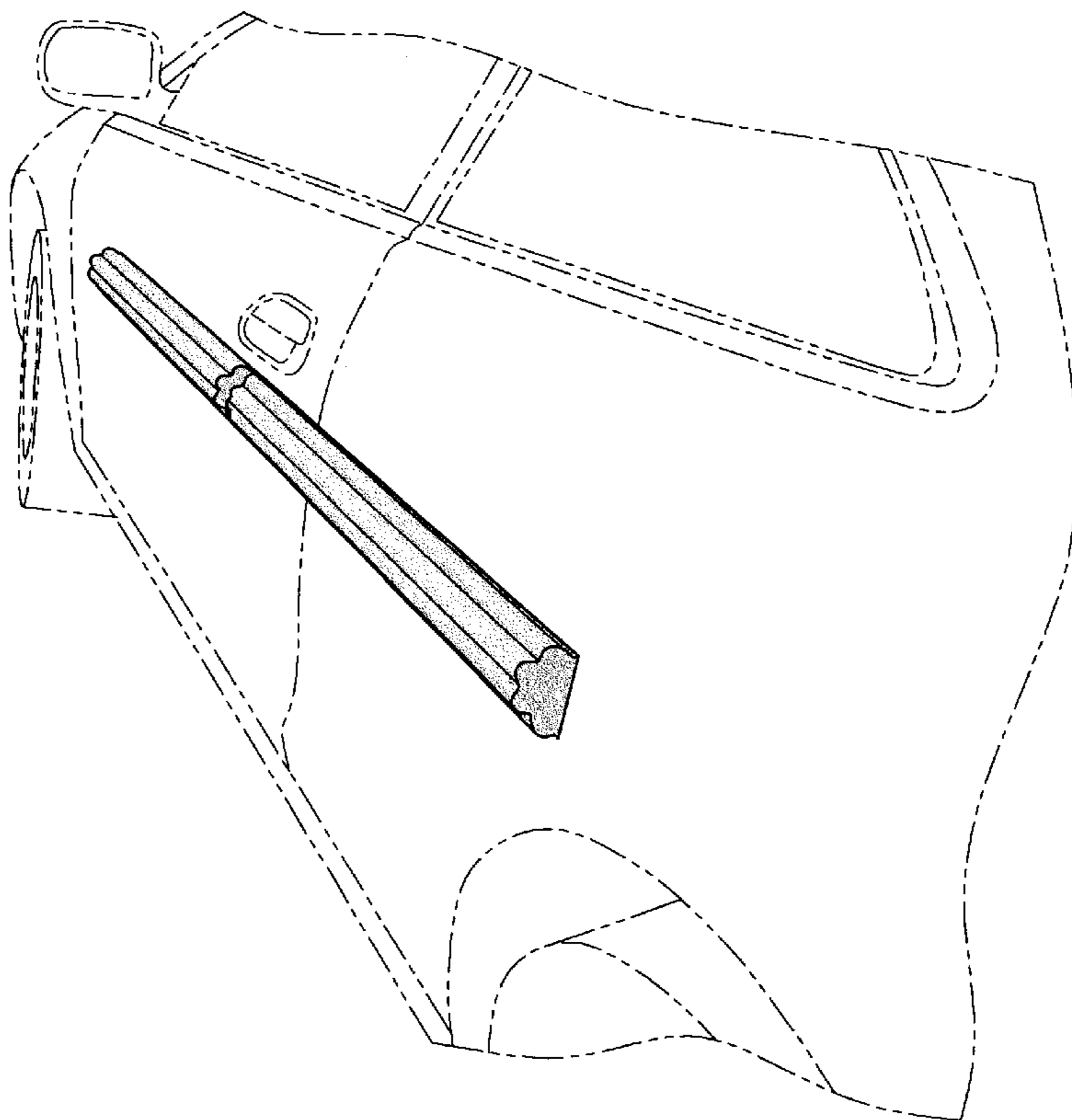
FIG. 6 is a left end view of the invention in the open configuration as shown in FIG. 1;

FIG. 7 is a side elevation view of the invention in the closed or stored position; and,

FIG. 8 is a side elevation view of the reverse side of the invention of FIG. 1 shown broken away for ease of illustration.

The broken lines shown in FIGS. 2 and 3 of the drawing are for illustrative purposes only and form no part of the claimed design.

1 Claim, 3 Drawing Sheets



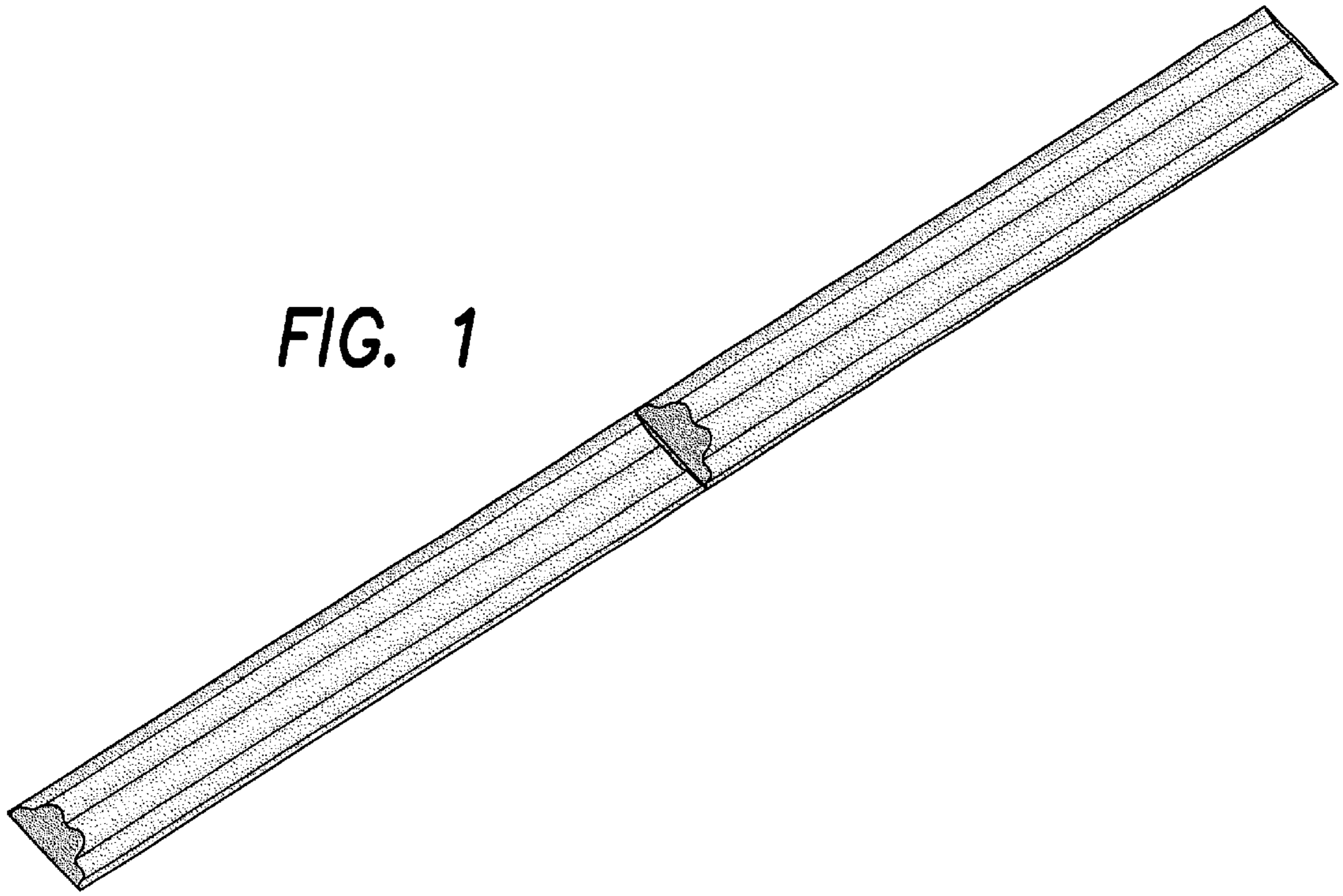


FIG. 1

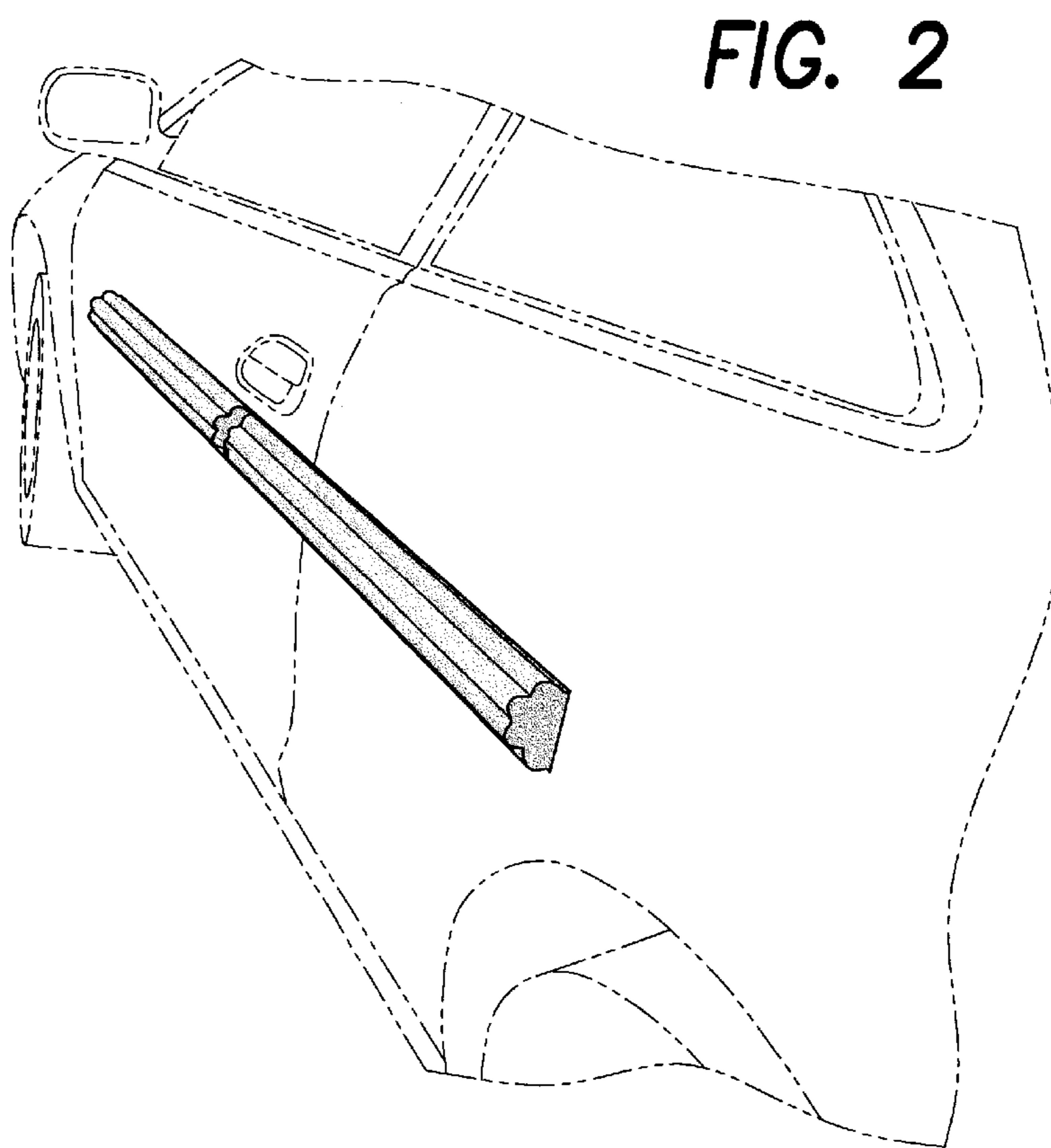


FIG. 2

FIG. 3

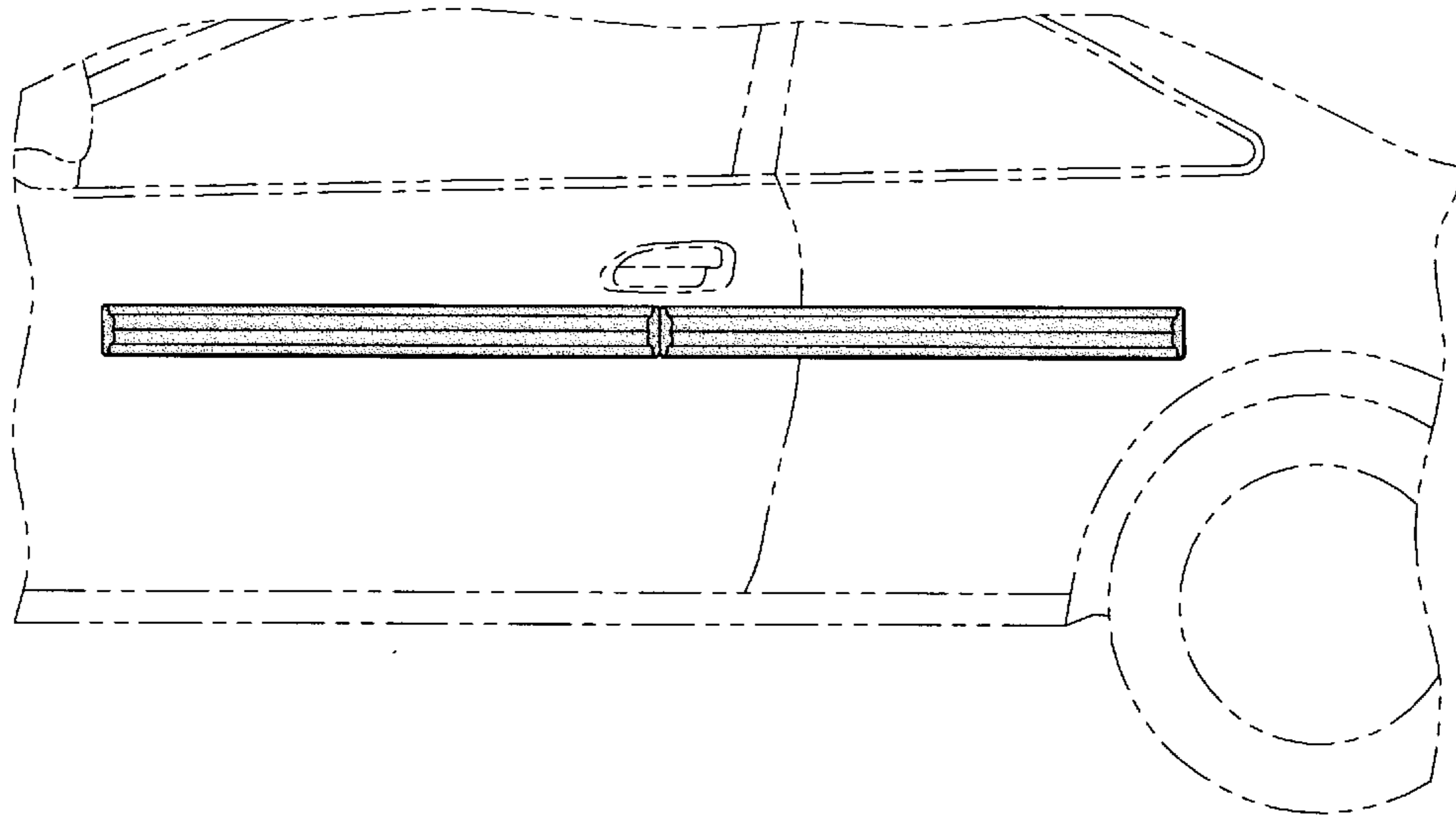


FIG. 4

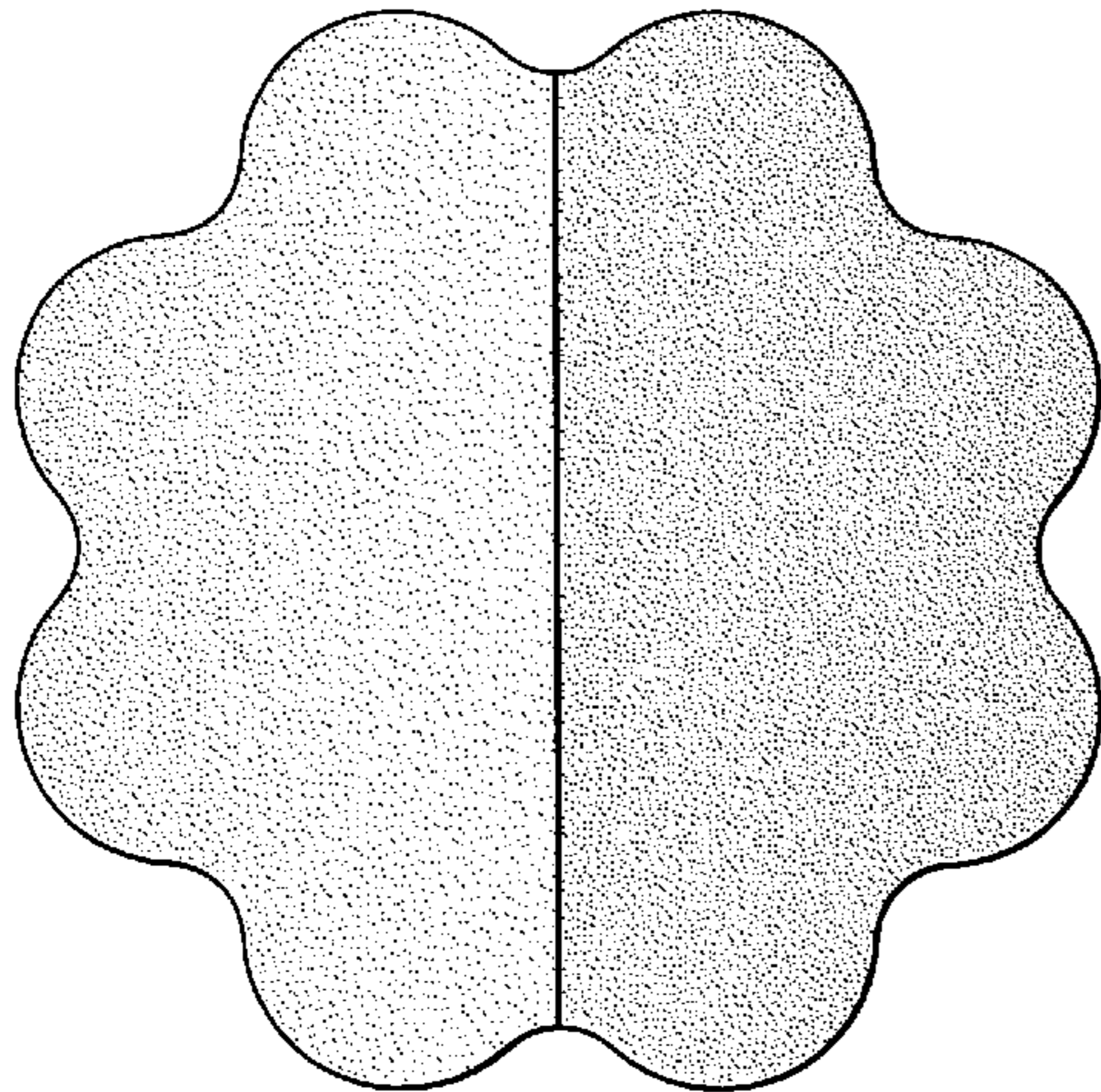


FIG. 5

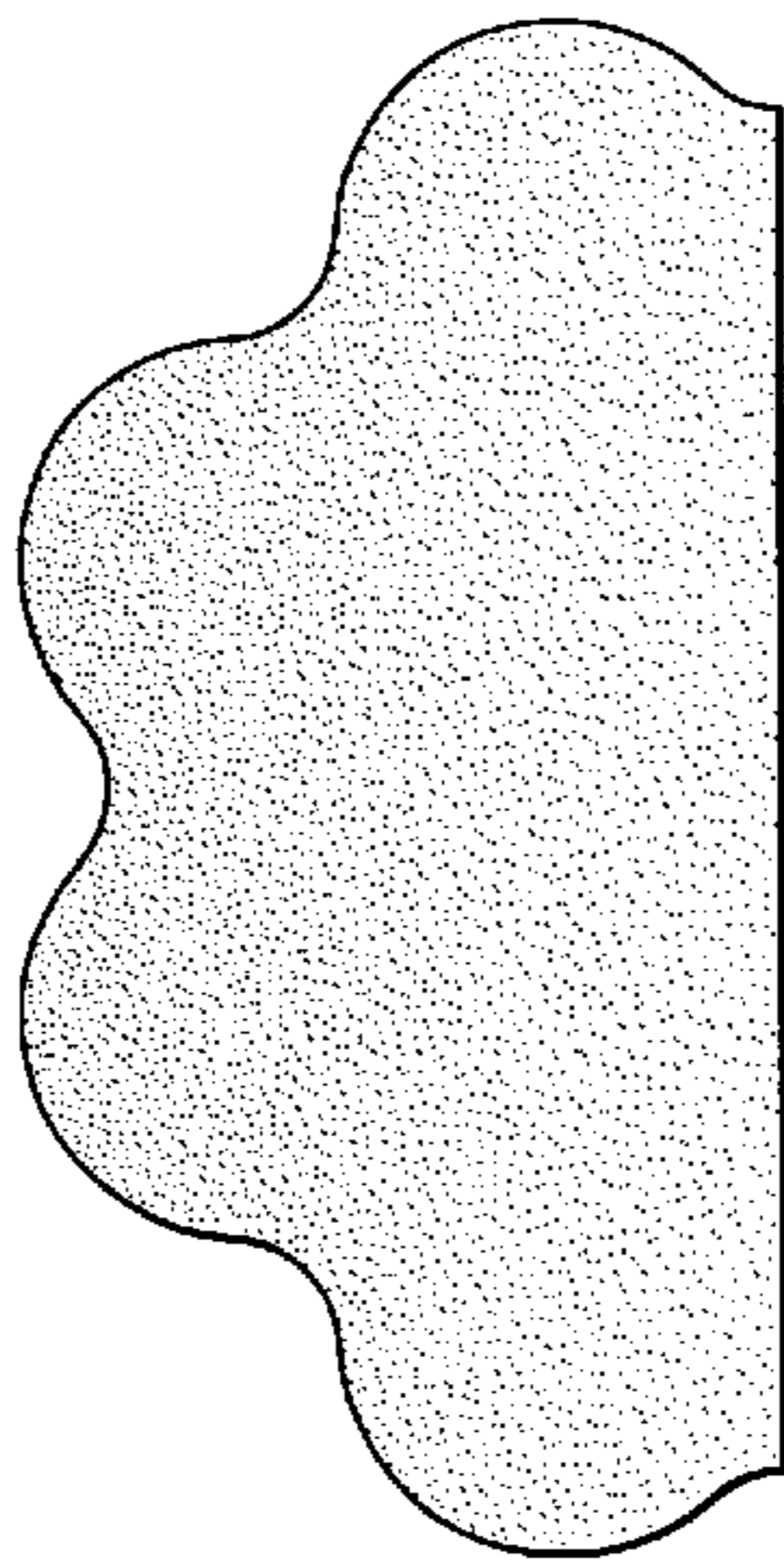
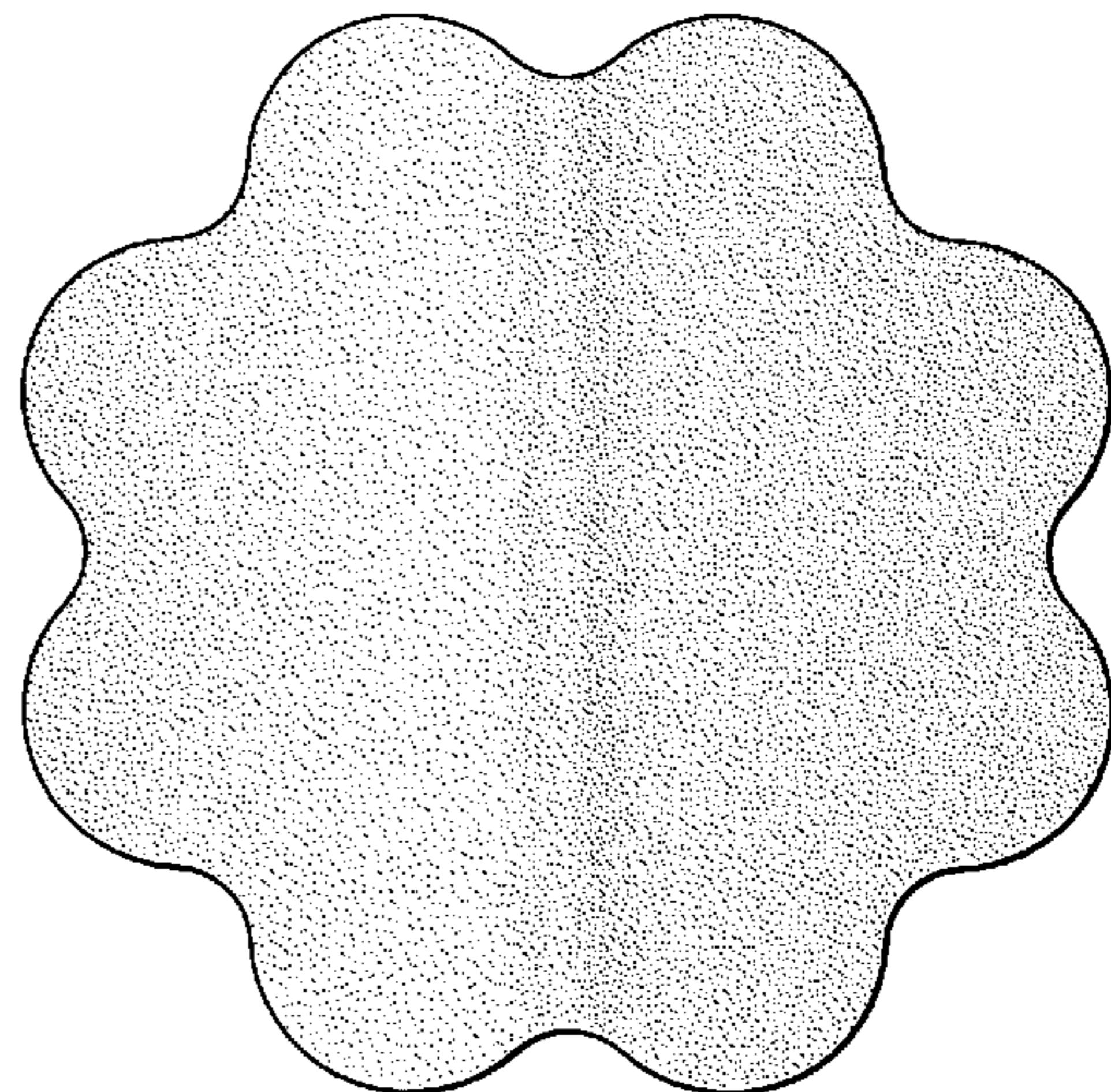


FIG. 6

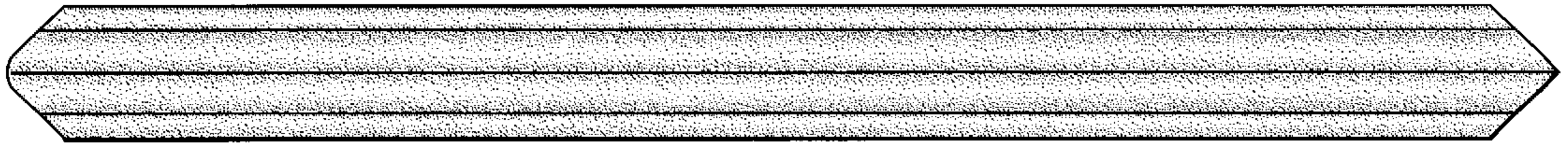


FIG. 7

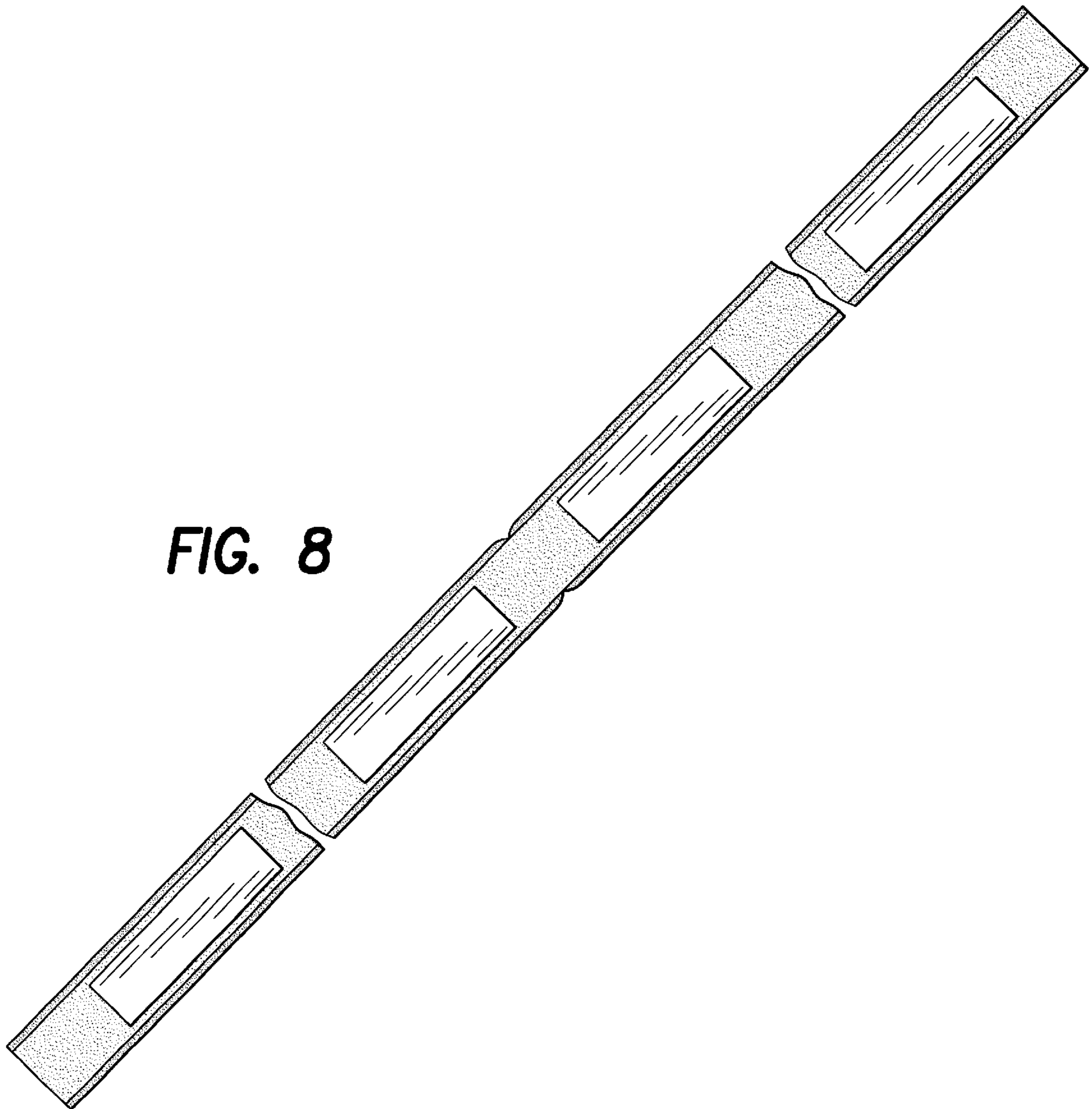


FIG. 8