



US00D446483B1

(12) **United States Design Patent**
Akashi et al.

(10) **Patent No.:** **US D446,483 S**

(45) **Date of Patent:** **** Aug. 14, 2001**

(54) **GRILL PORTION OF A VEHICLE**

FOREIGN PATENT DOCUMENTS

(75) Inventors: **Naoyuki Akashi; Steve Jennes**, both of
Cerritos, CA (US)

D1094557 12/2000 (JP) .

* cited by examiner

(73) Assignee: **Isuzu Motors Limited**, Tokyo (JP)

Primary Examiner—Melody N. Brown

(**) Term: **14 Years**

(74) *Attorney, Agent, or Firm*—Frishauf,Holtz, Goodman,
Langer & Chick, P.C.

(21) Appl. No.: **29/132,303**

(57) **CLAIM**

(22) Filed: **Nov. 6, 2000**

The ornamental design for a grill portion of a vehicle, as
shown and described.

(51) **LOC (7) Cl.** **12-16**

DESCRIPTION

(52) **U.S. Cl.** **D12/163**

(58) **Field of Search** D12/163, 90-92,
D12/86; 295/185

FIG. 1 is a top, front, right side perspective view of a grill
portion of a vehicle, showing our new design;

FIG. 2 is a front elevational view thereof;

FIG. 3 is a top plan view thereof; and,

FIG. 4 is a right side elevational view, the left side eleva-
tional view being a mirror image thereof.

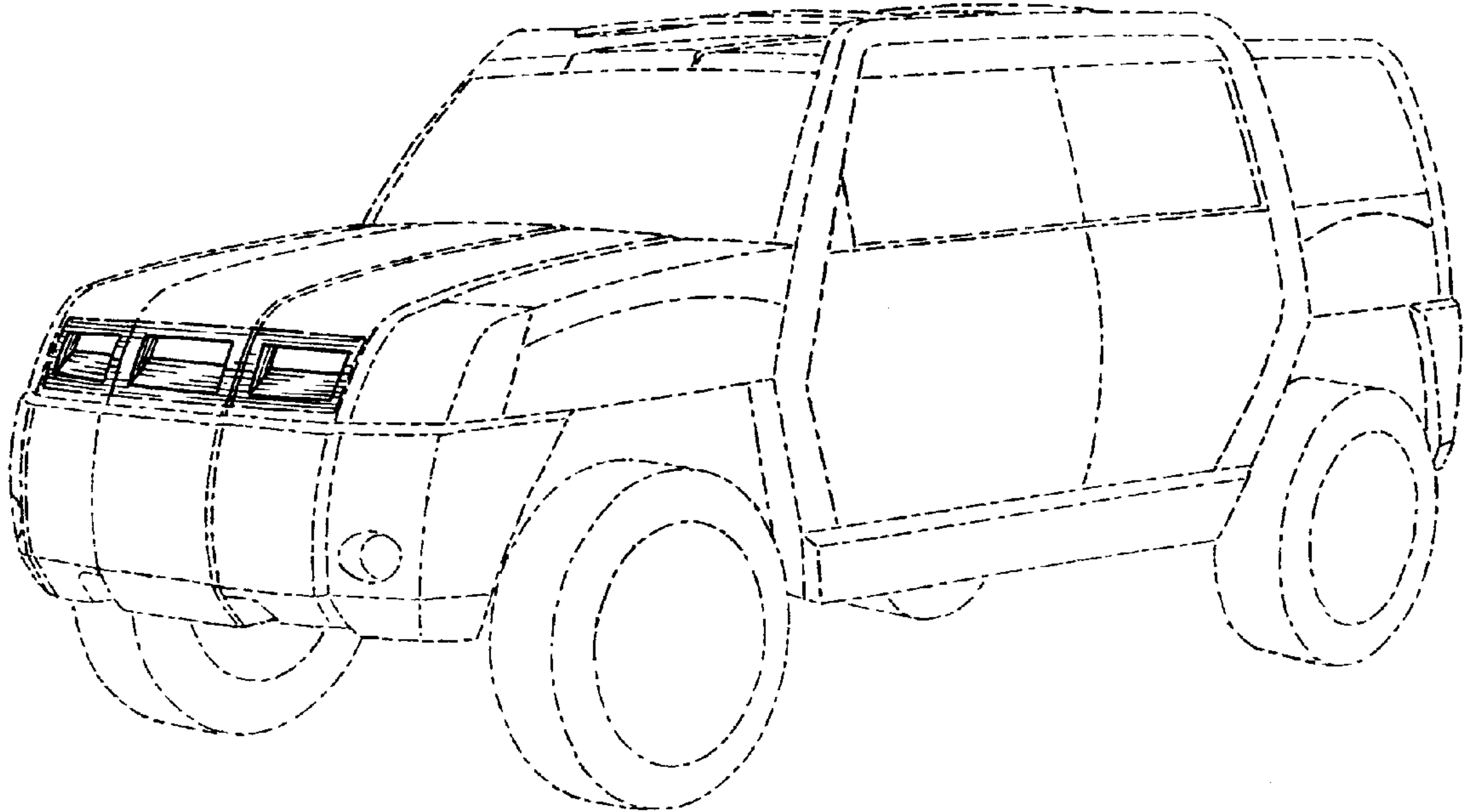
The broken line showing in the drawings is for illustrative
purposes only and forms no part of the claimed design.

(56) **References Cited**

U.S. PATENT DOCUMENTS

- D. 286,275 * 10/1986 Katoh et al. D12/163
- D. 292,387 * 10/1987 Oda D12/169
- D. 352,723 * 11/1994 DeBraul et al. D15/31

1 Claim, 2 Drawing Sheets



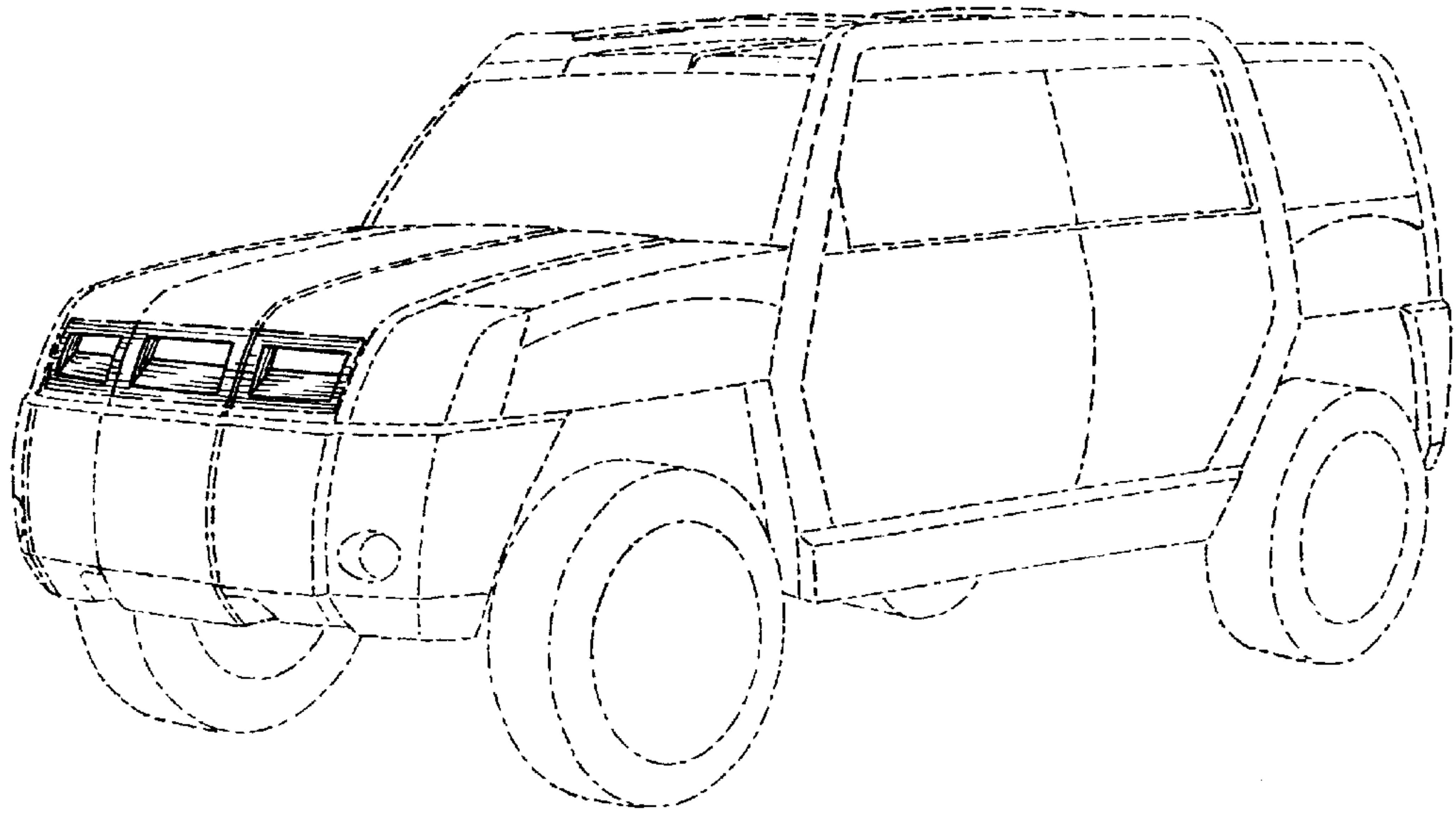


Fig. 1

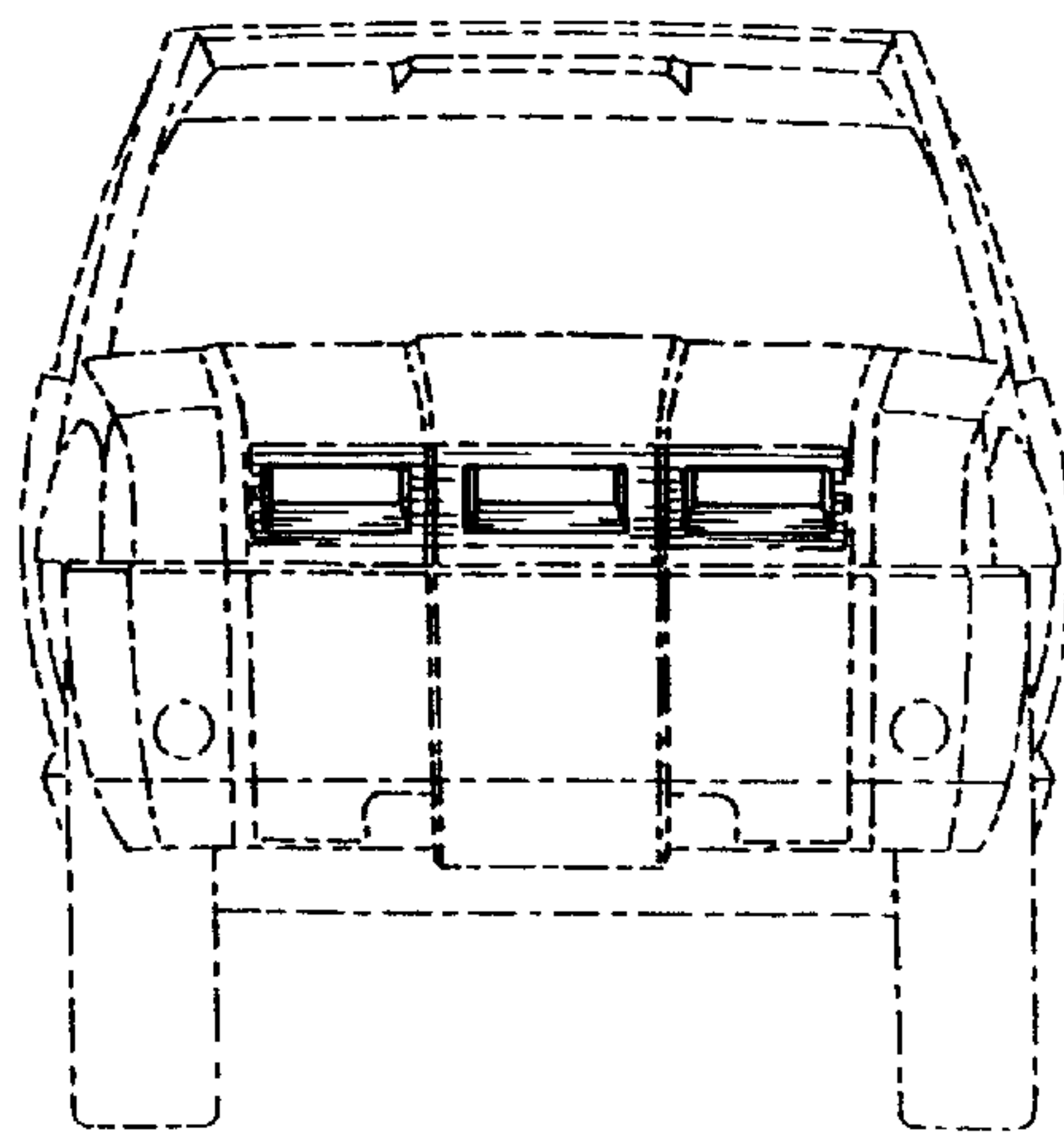


Fig. 2

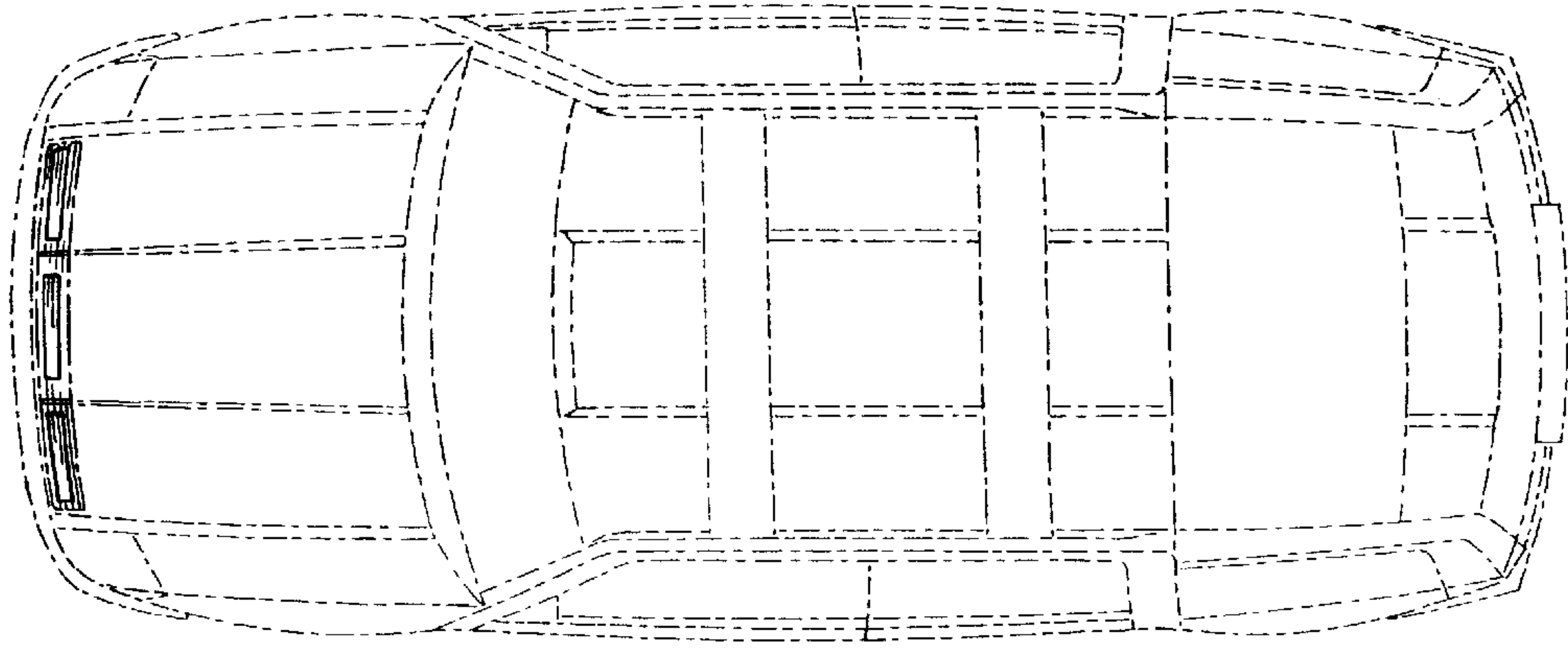


Fig. 3

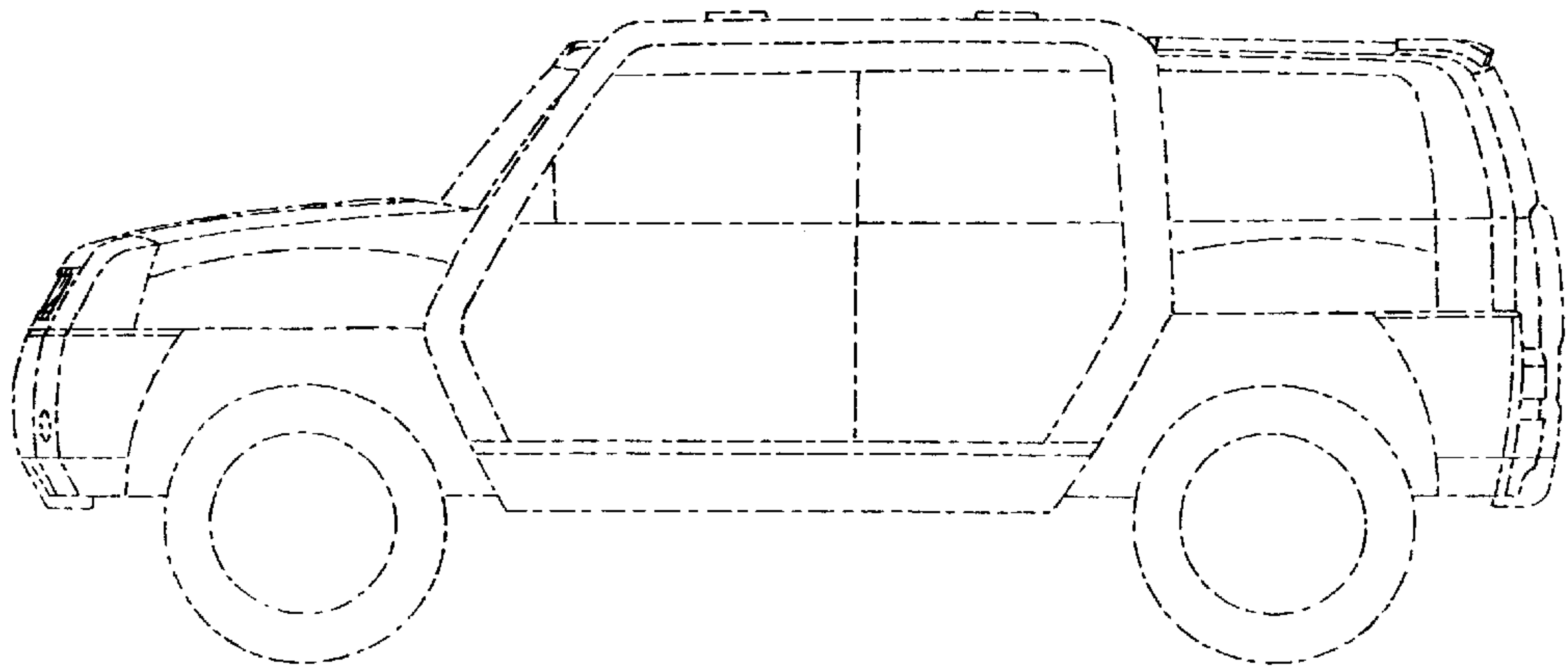


Fig. 4