



US00D446478B1

(12) **United States Design Patent**
Wu

(10) **Patent No.:** **US D446,478 S**

(45) **Date of Patent:** **** Aug. 14, 2001**

(54) **MANEUVERING DEVICE FOR ELECTRIC CARTS**

D. 409,121 * 5/1999 Imai et al. D12/131

* cited by examiner

(76) **Inventor:** **Donald P. H. Wu**, No. 169, Ken Tzu Ku, Shang Ken Tsun, Hsin Feng Hsiang, Hsinchu County (TW)

Primary Examiner—Kay H. Chin

(74) *Attorney, Agent, or Firm*—Pro-Techtor International Services

(**) **Term:** **14 Years**

(57) **CLAIM**

(21) **Appl. No.:** **29/112,006**

The ornamental design for a maneuvering device for electric carts, as shown and described.

(22) **Filed:** **Oct. 6, 1999**

DESCRIPTION

(51) **LOC (7) Cl.** **12-12**

(52) **U.S. Cl.** **D12/133; D34/27**

(58) **Field of Search** D12/128-133;
D34/27, 28, 33, 35, 37; 180/907, 908, 216,
217; 280/250.1, 304.1

FIG. 1 is a front elevational view of a maneuvering device for electric carts showing my new design;

FIG. 2 is a rear elevational view thereof;

FIG. 3 is a left side elevational view thereof;

FIG. 4 is a right side elevational view thereof;

FIG. 5 is a top plan view thereof; and

FIG. 6 is a bottom plan view thereof.

FIG. 7 is a top, left, front, perspective view; and,

FIG. 8 is a top, left, front, perspective view of a maneuvering device for electric carts applied to an electric cart.

(56) **References Cited**

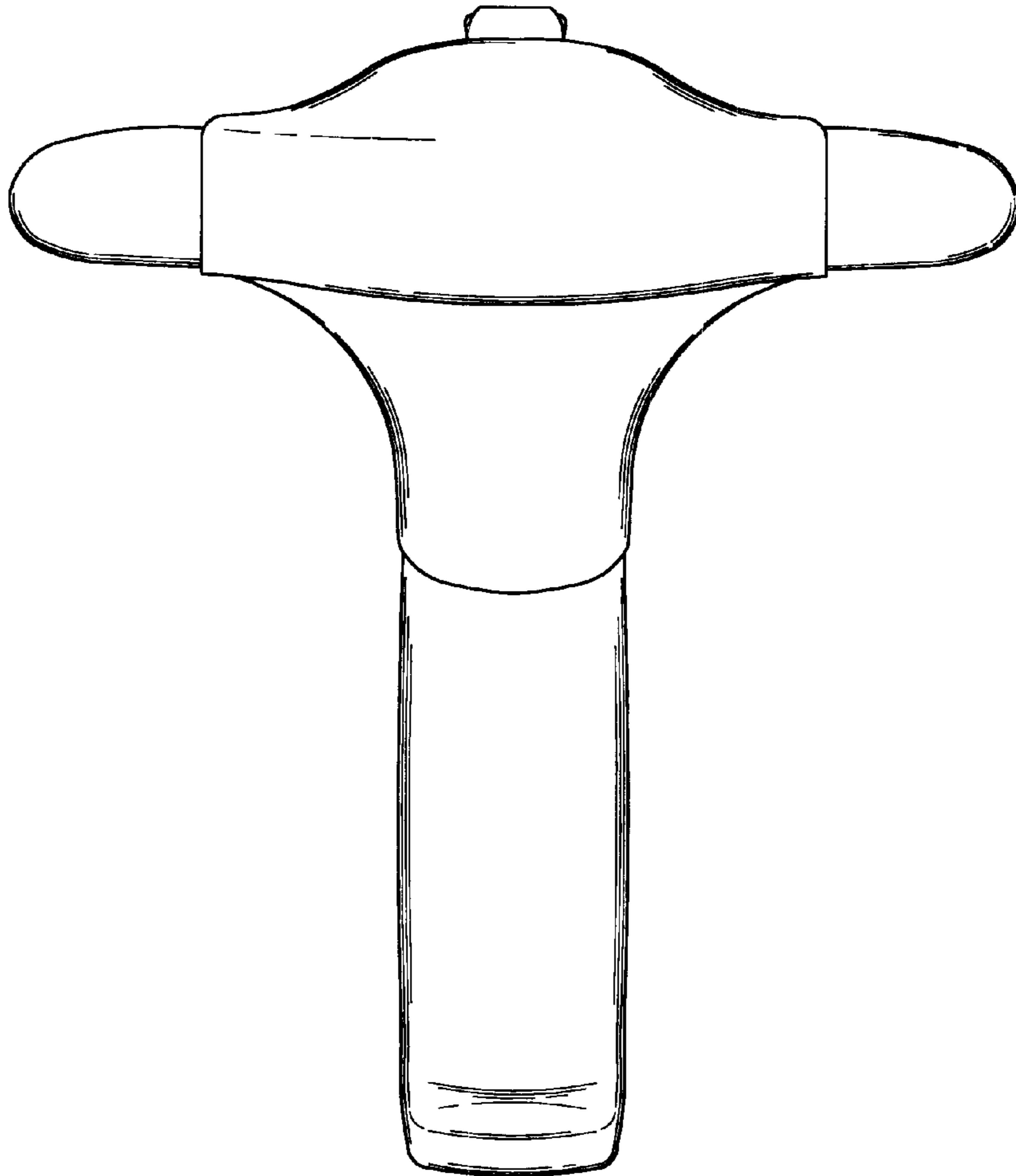
U.S. PATENT DOCUMENTS

D. 321,678 * 11/1991 Blount et al. D12/131

D. 381,293 * 7/1997 Cheng D12/85

D. 401,190 * 11/1998 Krause D12/128

1 Claim, 7 Drawing Sheets



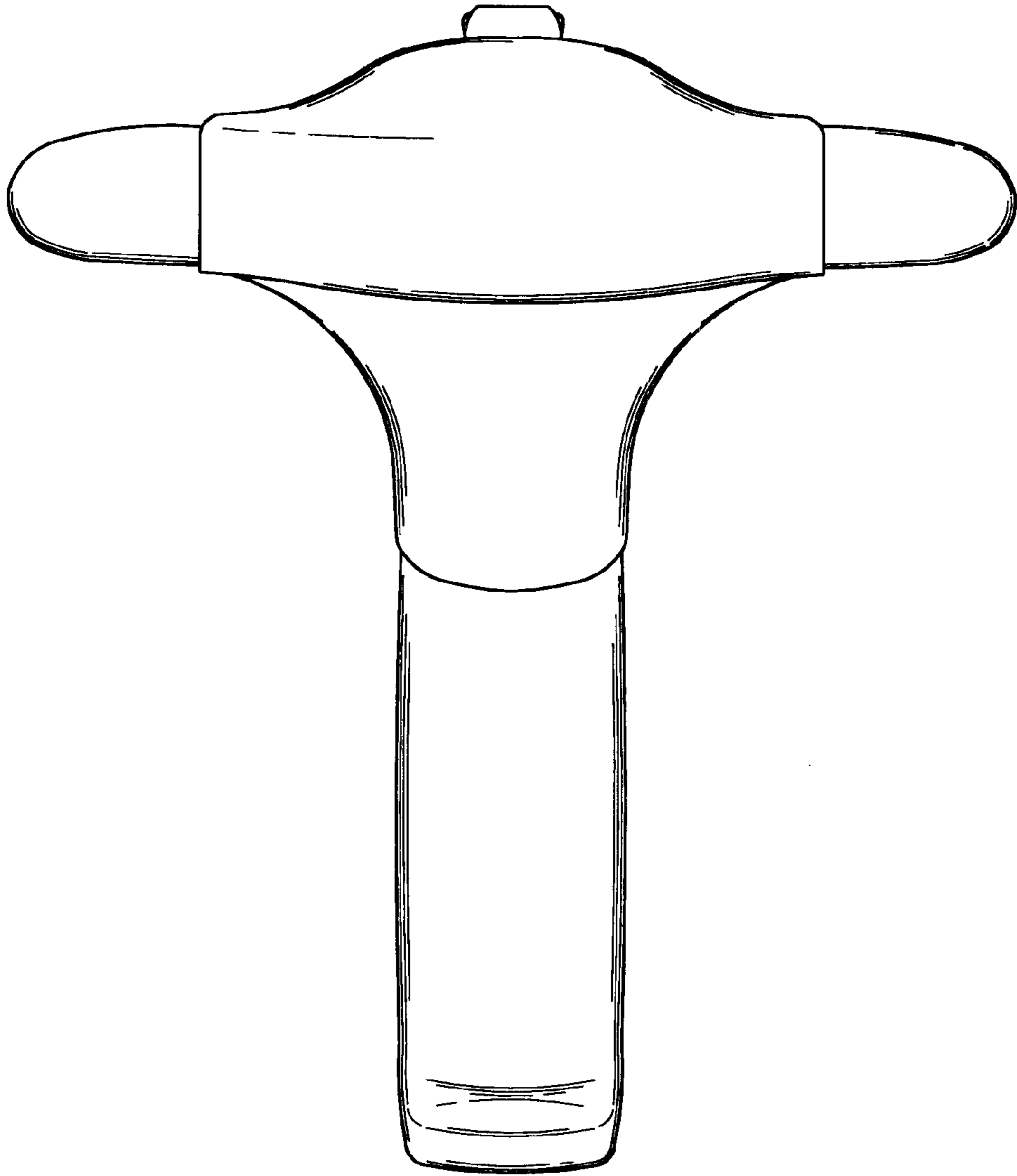


Fig. 1

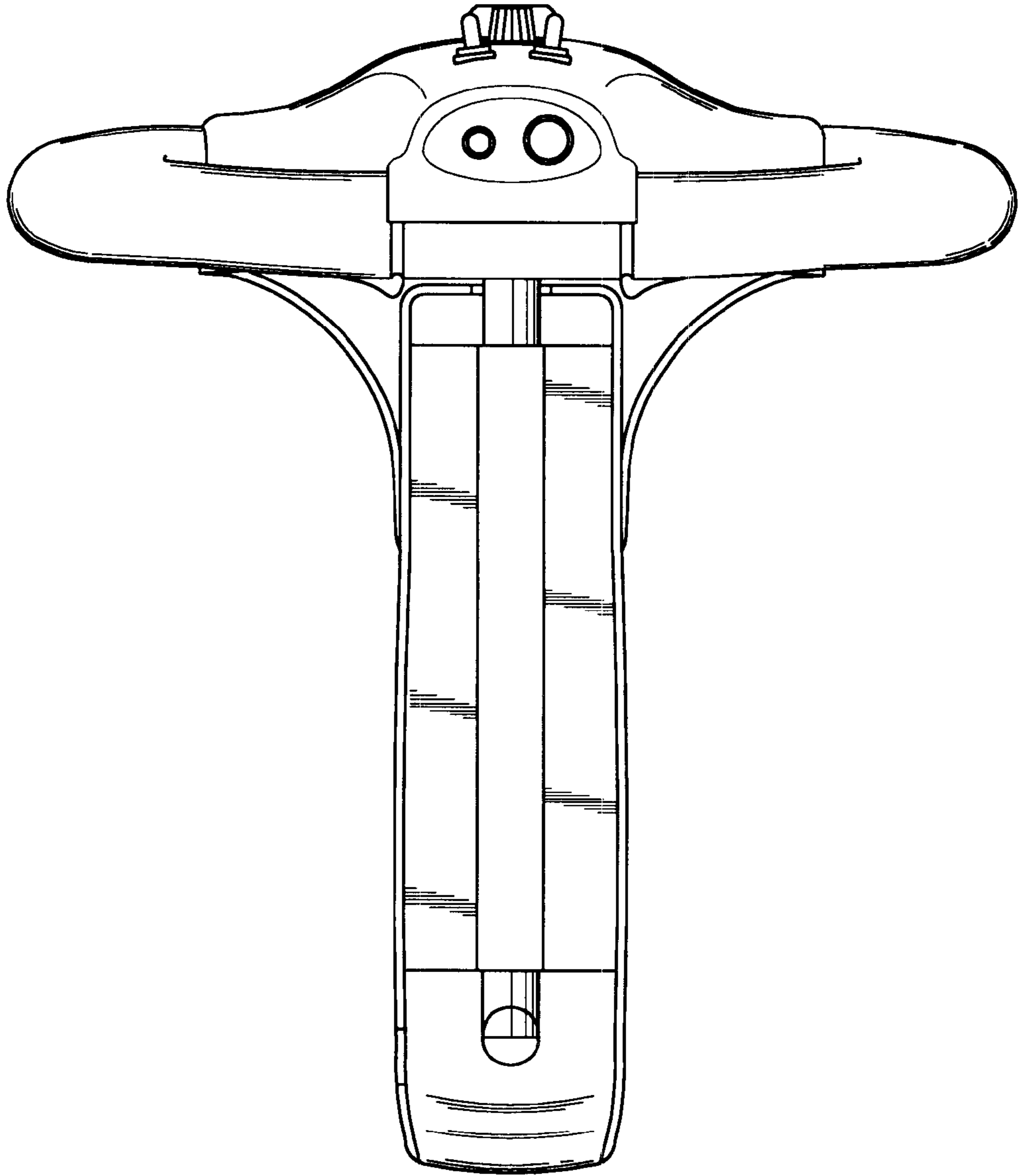


Fig. 2

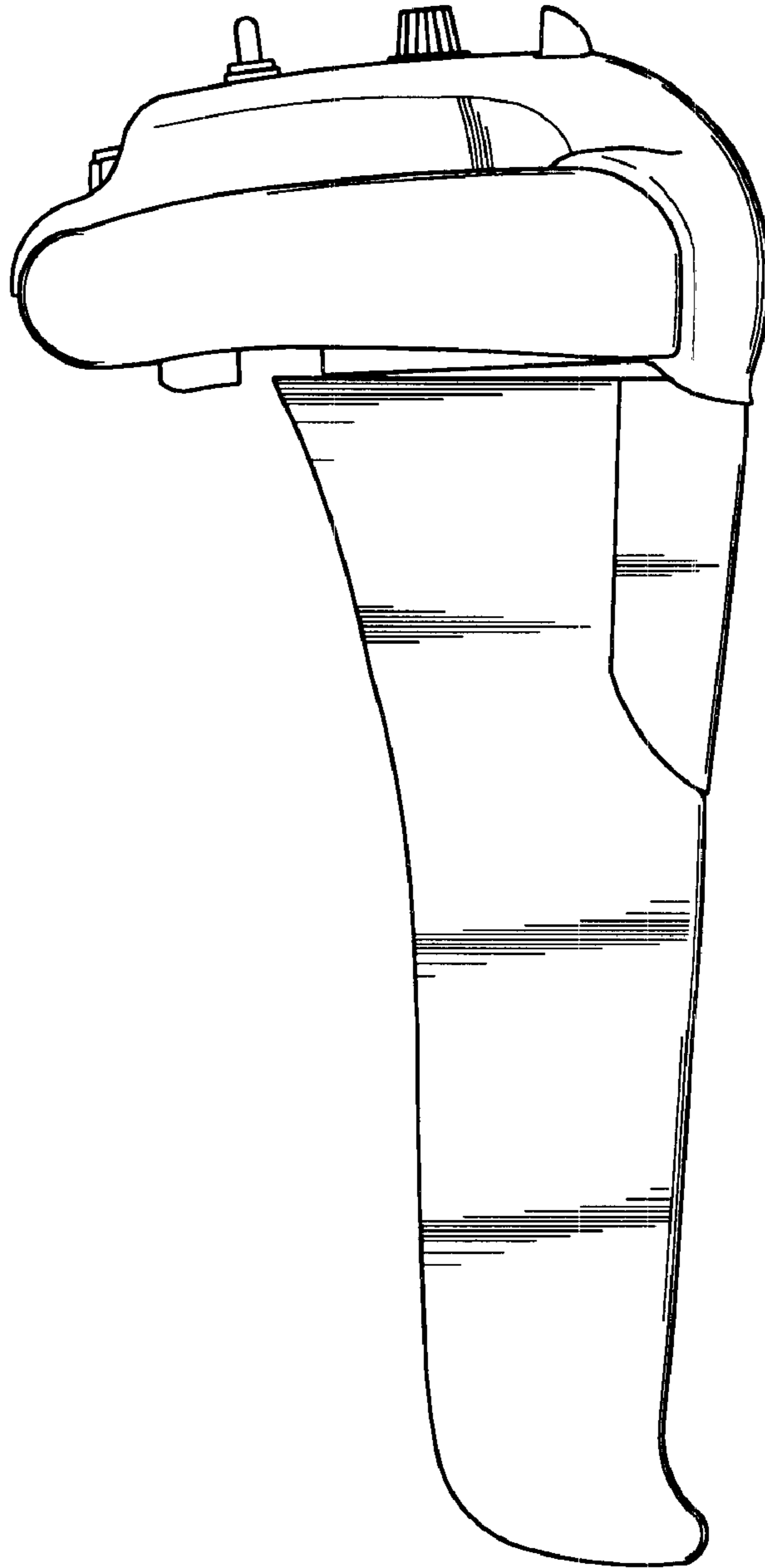


Fig. 3

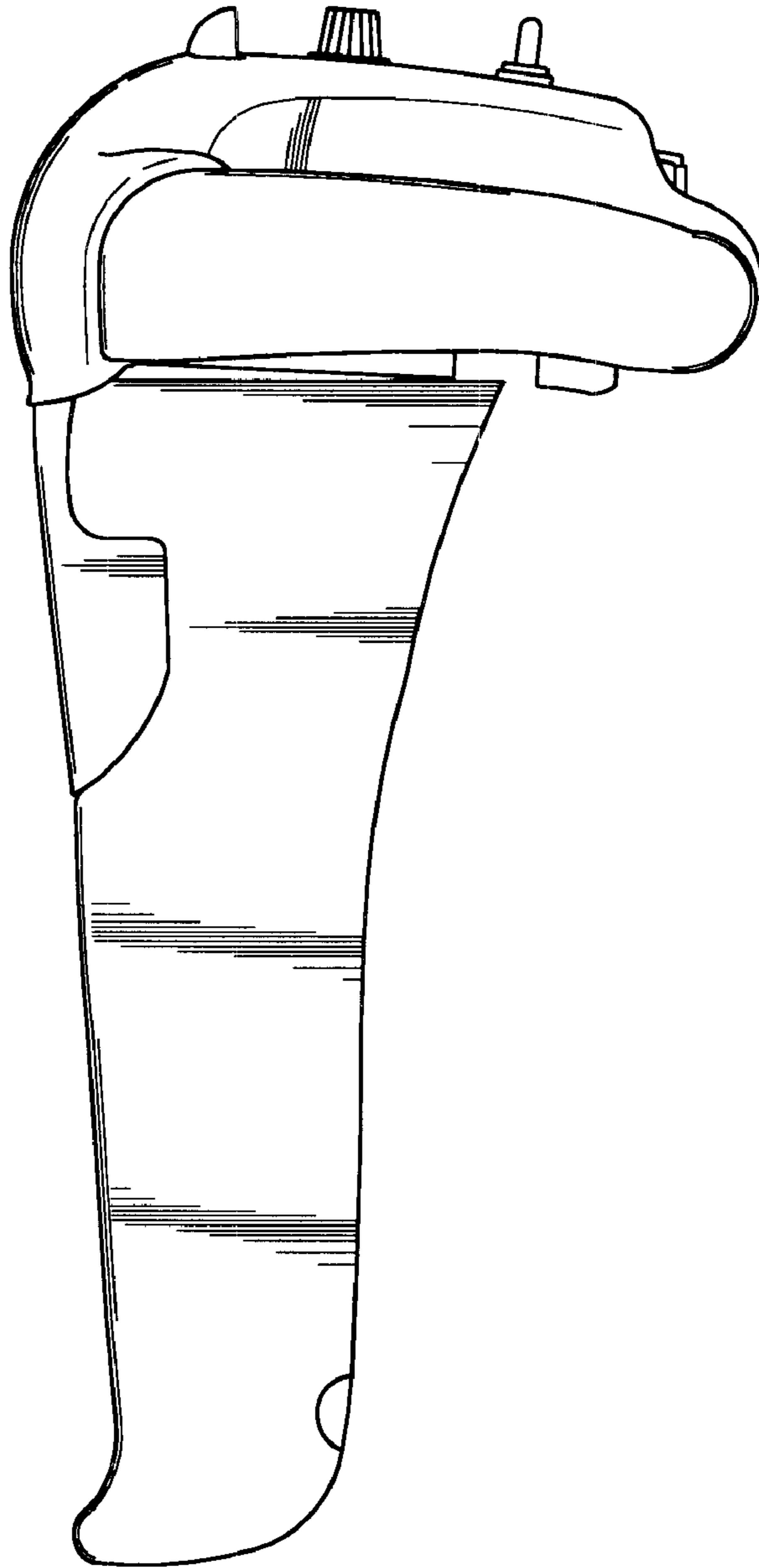


Fig. 4

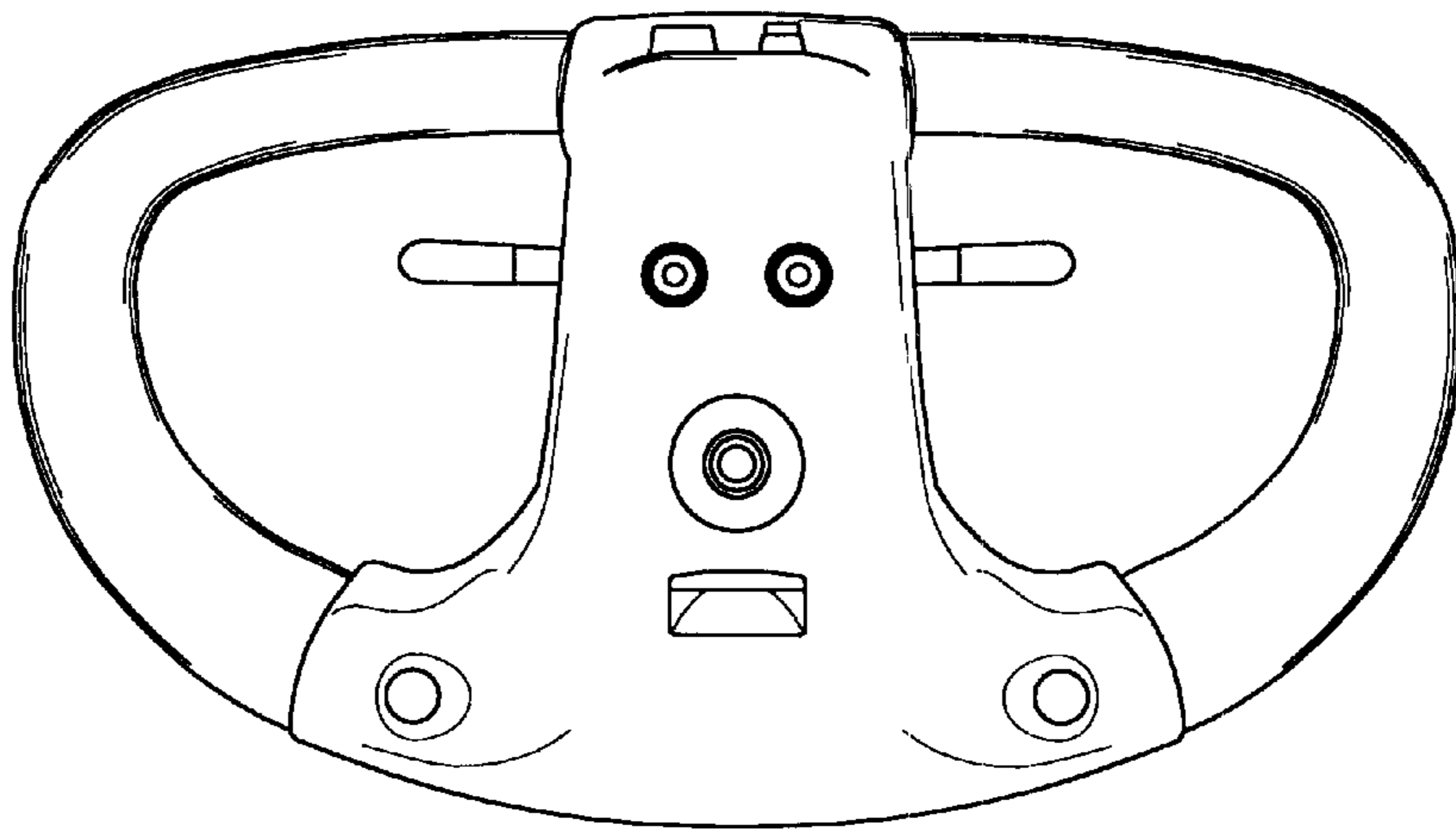


Fig. 5

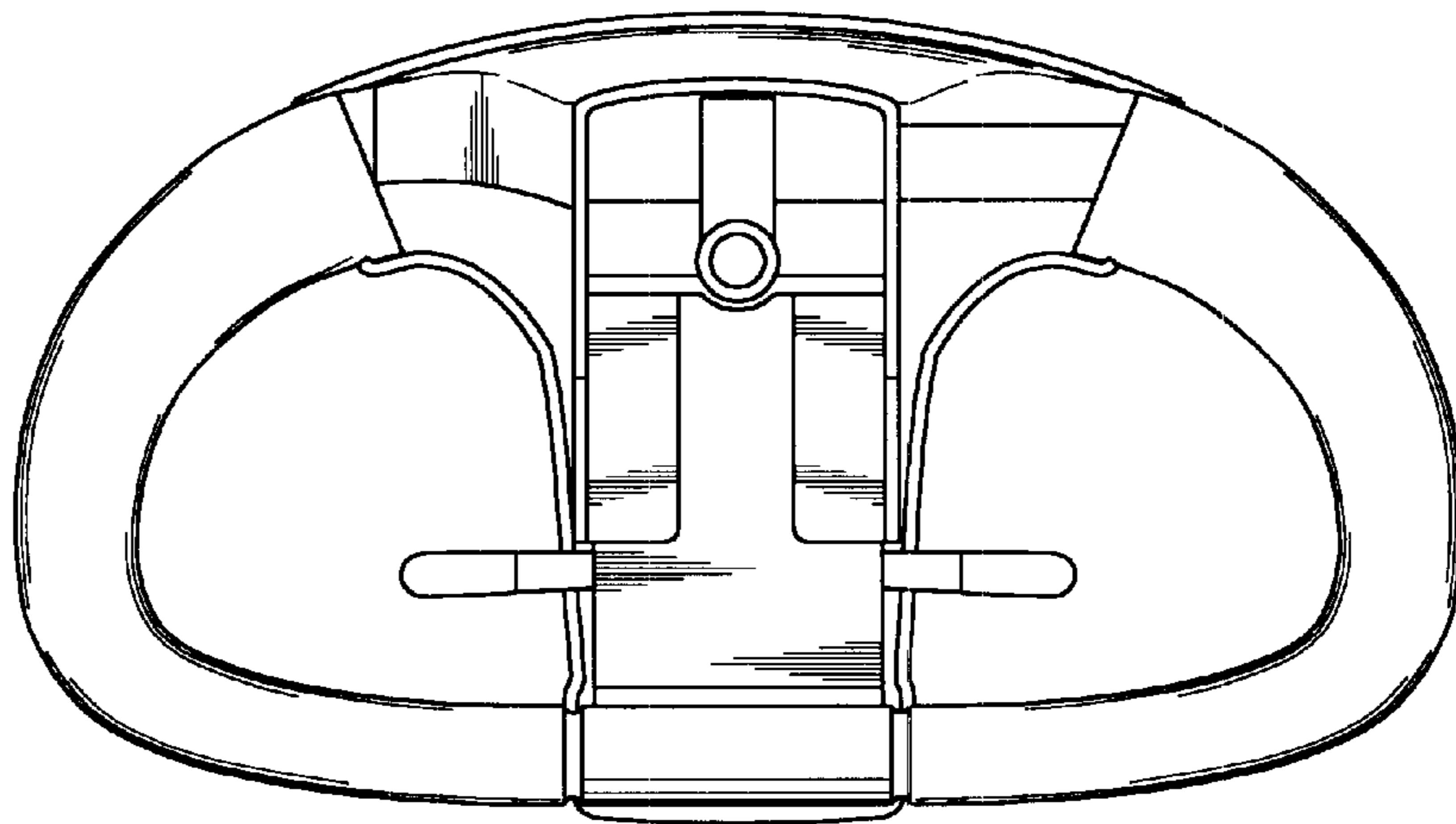


Fig. 6



Fig. 7

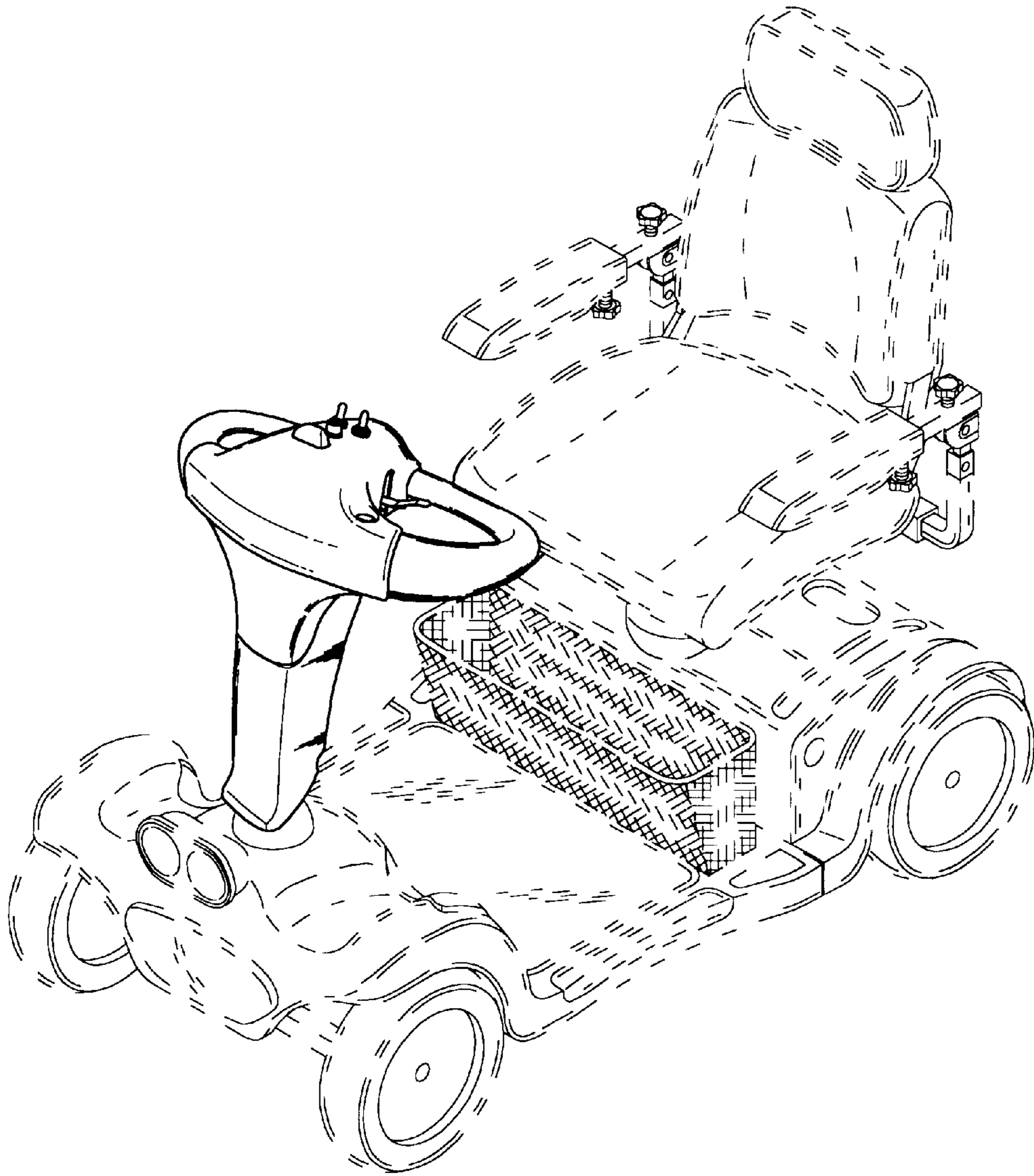


Fig. 8