



US00D446476B1

(12) **United States Design Patent**  
**Wallace et al.**

(10) **Patent No.:** **US D446,476 S**

(45) **Date of Patent:** **\*\* Aug. 14, 2001**

(54) **MOTORIZED MINI-BIKE**

(75) Inventors: **Paul Wallace**, Lewisburg; **Don Booten**, Brentwood; **Wayne L. Kruse**, Franklin, all of TN (US)

(73) Assignee: **Murray, Inc.**, Brentwood, TN (US)

(\*\*) Term: **14 Years**

(21) Appl. No.: **29/137,206**

(22) Filed: **Feb. 16, 2001**

(51) **LOC (7) Cl.** ..... **12-11**

(52) **U.S. Cl.** ..... **D12/110**

(58) **Field of Search** ..... D12/107, 110, D12/111; 280/281.1, 288.1-288.3, 274, 284; 180/219, 227, 291, 311; D6/354

(56) **References Cited**

**U.S. PATENT DOCUMENTS**

- D. 429,076 \* 8/2000 Rash ..... D6/354
- D. 432,952 \* 10/2000 Scruggs ..... D12/110

- 5,469,930 \* 11/1995 Wiers ..... 180/227
- 5,791,730 \* 8/1998 Hoffacker ..... D6/354
- 6,142,498 \* 11/2000 Smith ..... 280/281.1

\* cited by examiner

*Primary Examiner*—Alan P. Douglas

*Assistant Examiner*—Linda Brooks

(74) *Attorney, Agent, or Firm*—Pillsbury Winthrop LLP

(57) **CLAIM**

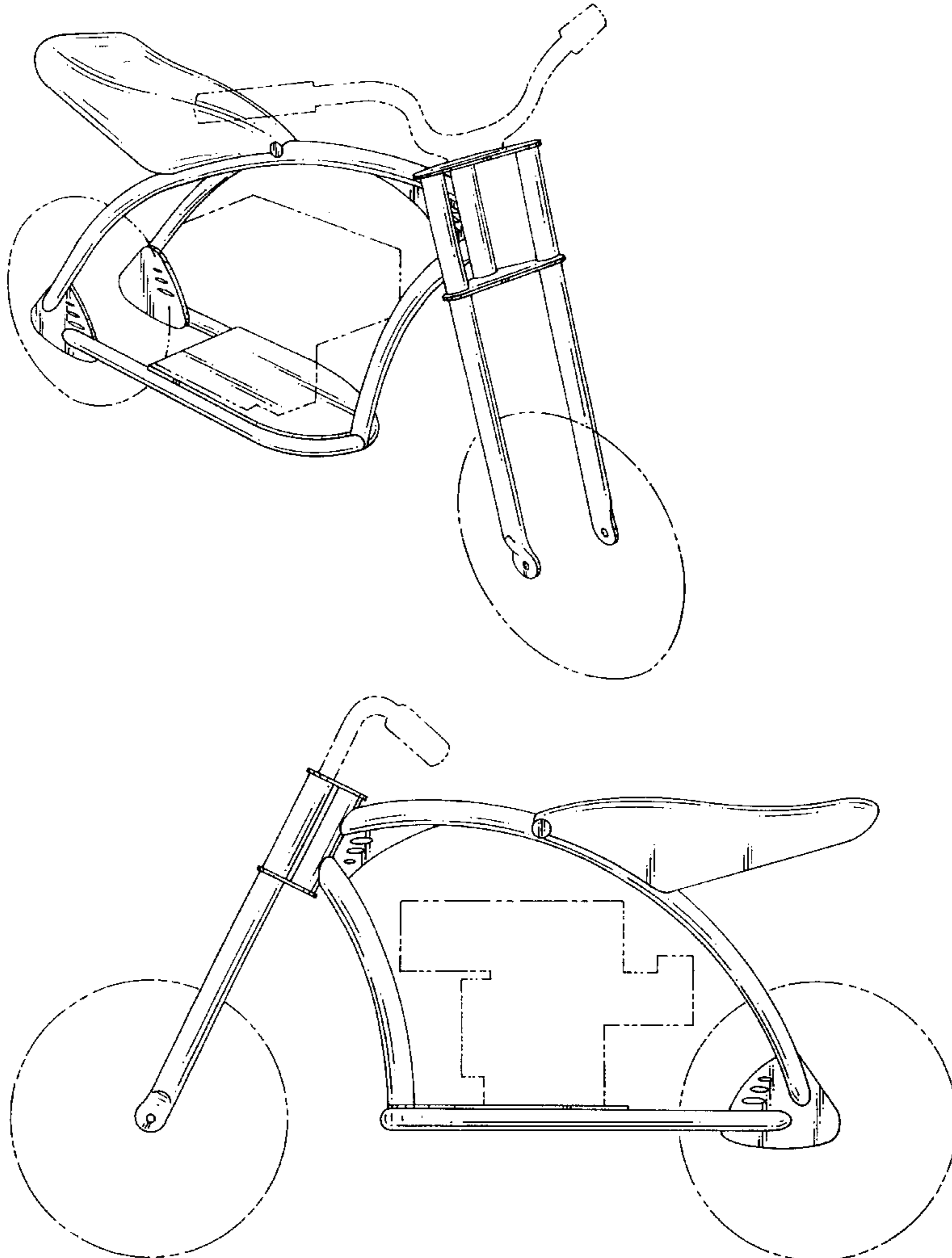
The ornamental design for a motorized mini-bike, as shown and described.

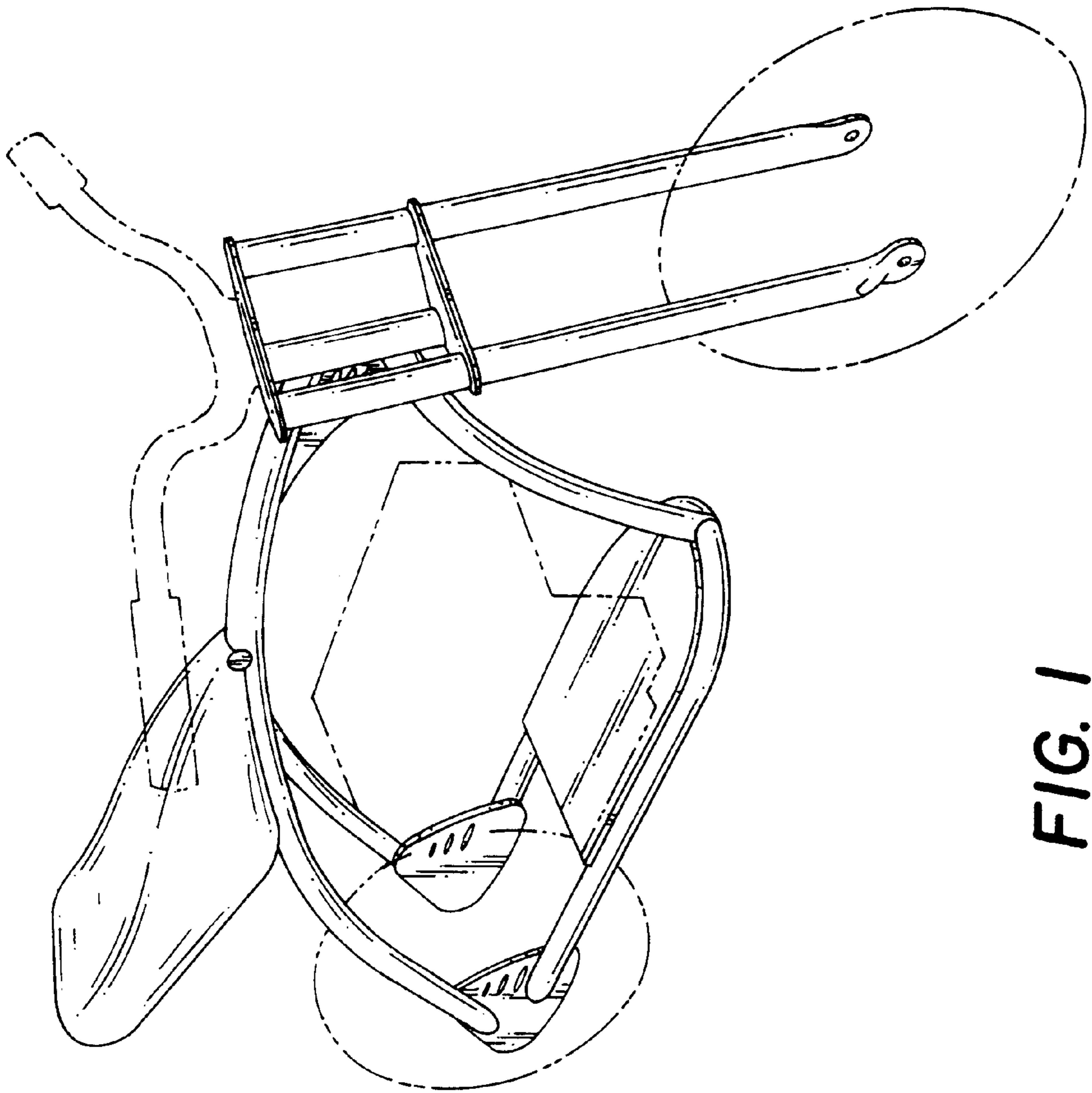
**DESCRIPTION**

FIG. 1 is a right front perspective view of a motorized mini-bike showing our new design; FIG. 2 is a left side elevational view thereof; and, FIG. 3 is a top plan view thereof.

The broken line showing of additional motorized mini-bike components is for illustrative purposes only and forms no part of the claimed design.

**1 Claim, 3 Drawing Sheets**





**FIG. 1**

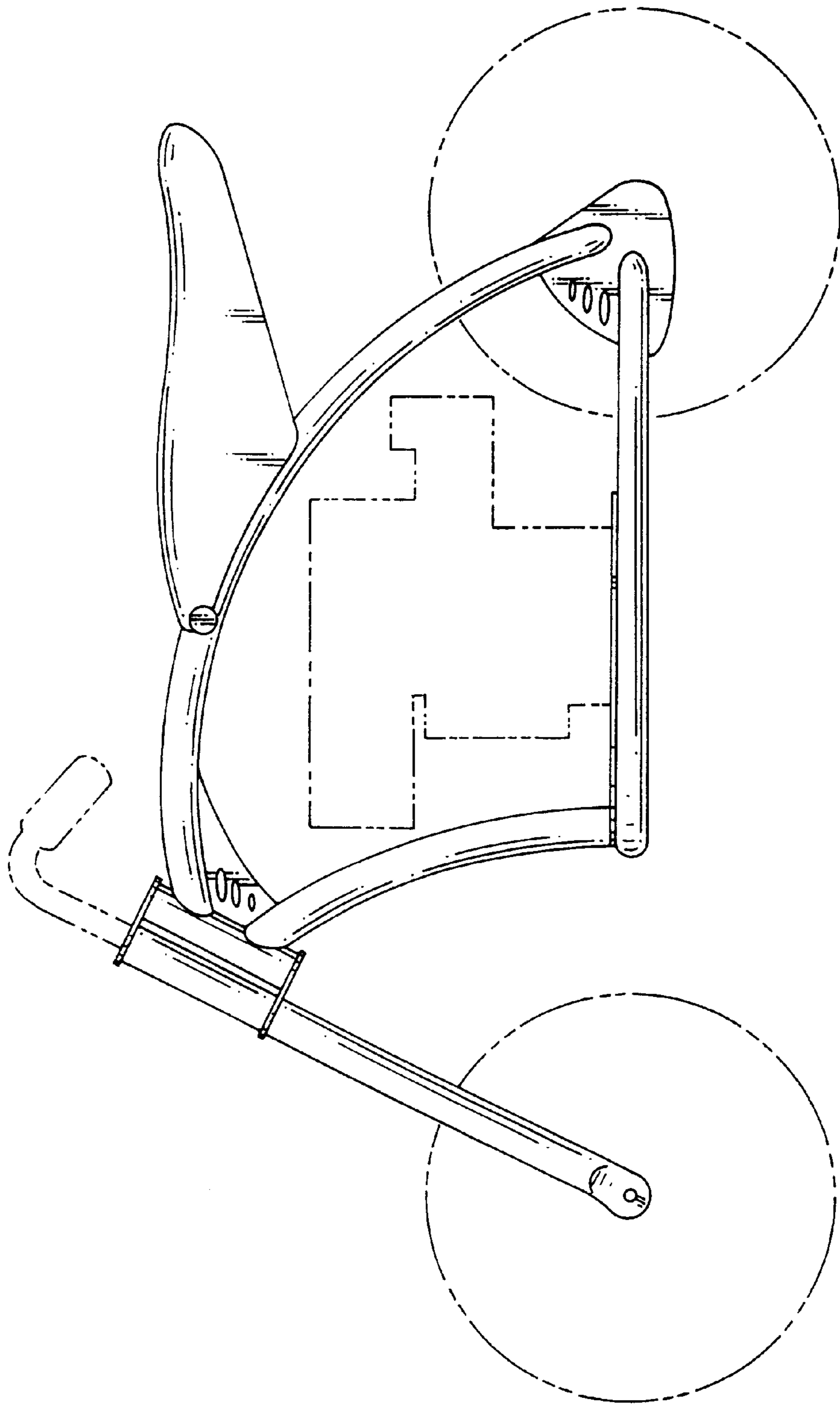


FIG. 2

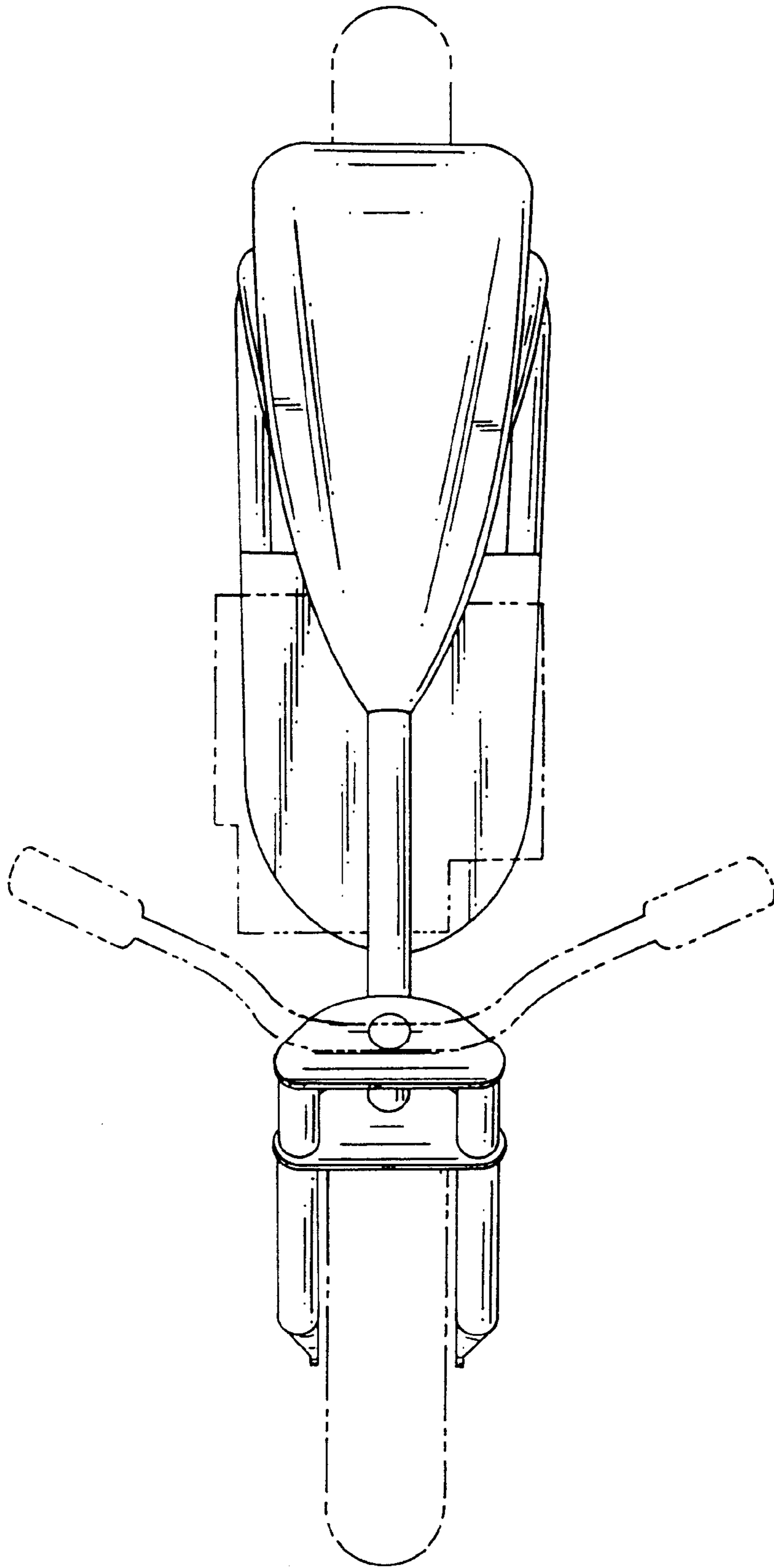


FIG. 3