



US00D446475B1

(12) **United States Design Patent**  
**Luh**

(10) **Patent No.:** **US D446,475 S**

(45) **Date of Patent:** **\*\* Aug. 14, 2001**

(54) **SAND MOTORCYCLE**

(75) Inventor: **Tai-Yang Luh**, Taichung (TW)

(73) Assignee: **Ding Li Metal Industrial Co., Ltd.**,  
Taichung (TW)

(\*\*) Term: **14 Years**

(21) Appl. No.: **29/124,062**

(22) Filed: **May 30, 2000**

(51) **LOC (7) Cl.** ..... **12-10**

(52) **U.S. Cl.** ..... **D12/107**

(58) **Field of Search** ..... D12/107, 3; 180/233,  
180/315, 311, 312, 225, 229

(56) **References Cited**

**U.S. PATENT DOCUMENTS**

- D. 298,744 \* 11/1988 Saito et al. .... D12/107
- D. 327,457 \* 6/1992 Saito ..... D12/107
- D. 330,694 \* 11/1992 Kimura et al. .... D12/107

- D. 412,464 \* 8/1999 Ichihara et al. .... D12/107
- D. 427,942 \* 7/2000 Cho et al. .... D12/107

\* cited by examiner

*Primary Examiner*—Melody N. Brown

(74) *Attorney, Agent, or Firm*—Alan Kamrath; Rider  
Bennett Egan & Arundel, LLP.

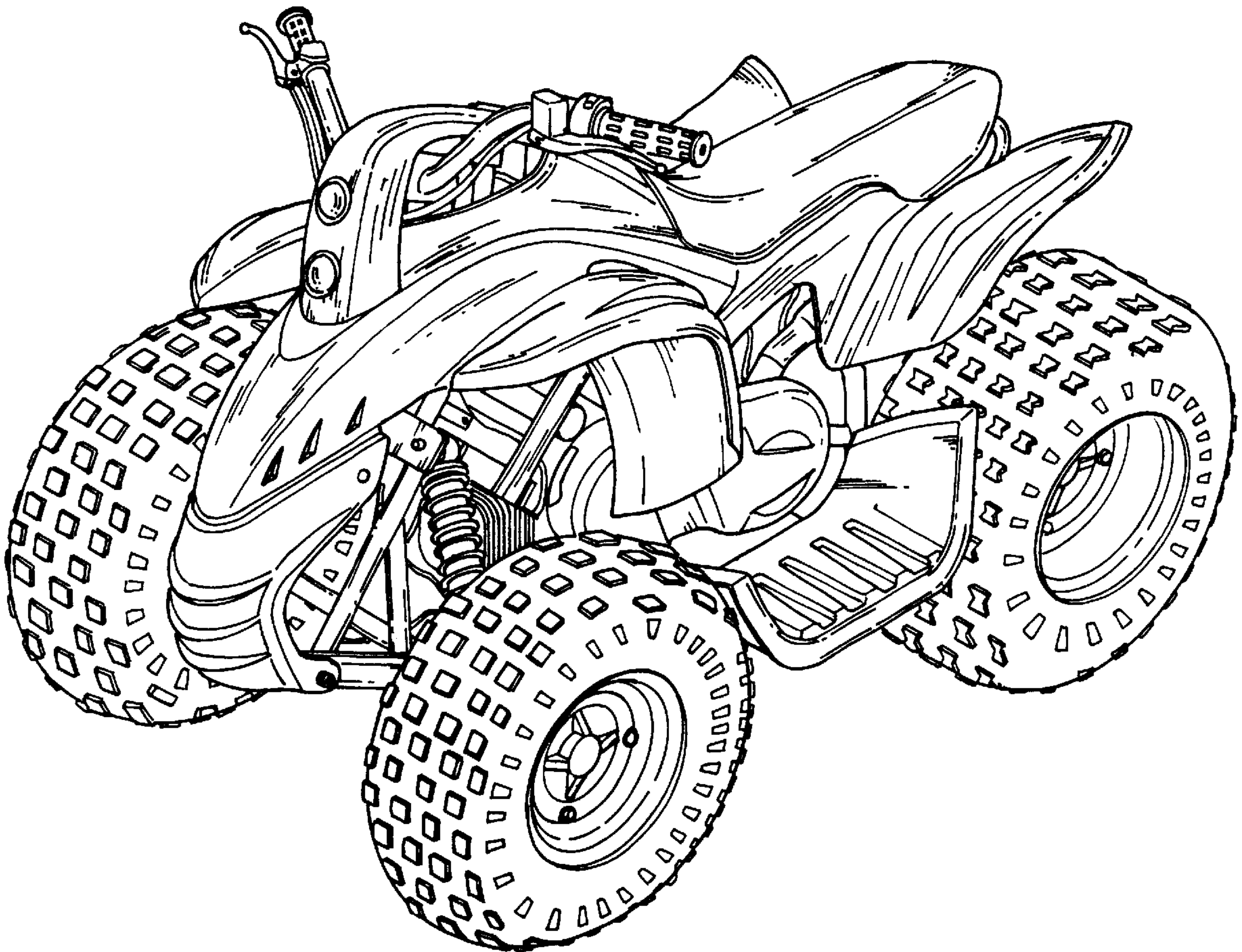
(57) **CLAIM**

The ornamental design for a sand motorcycle, as shown and described.

**DESCRIPTION**

FIG. 1 is a front elevational view of a sand motorcycle showing my design;  
 FIG. 2 is a rear elevational view thereof;  
 FIG. 3 is a left side elevational view thereof;  
 FIG. 4 is a right side elevational view thereof;  
 FIG. 5 is a top plan view thereof;  
 FIG. 6 is a bottom plan view thereof; and,  
 FIG. 7 is a perspective view thereof.

**1 Claim, 7 Drawing Sheets**



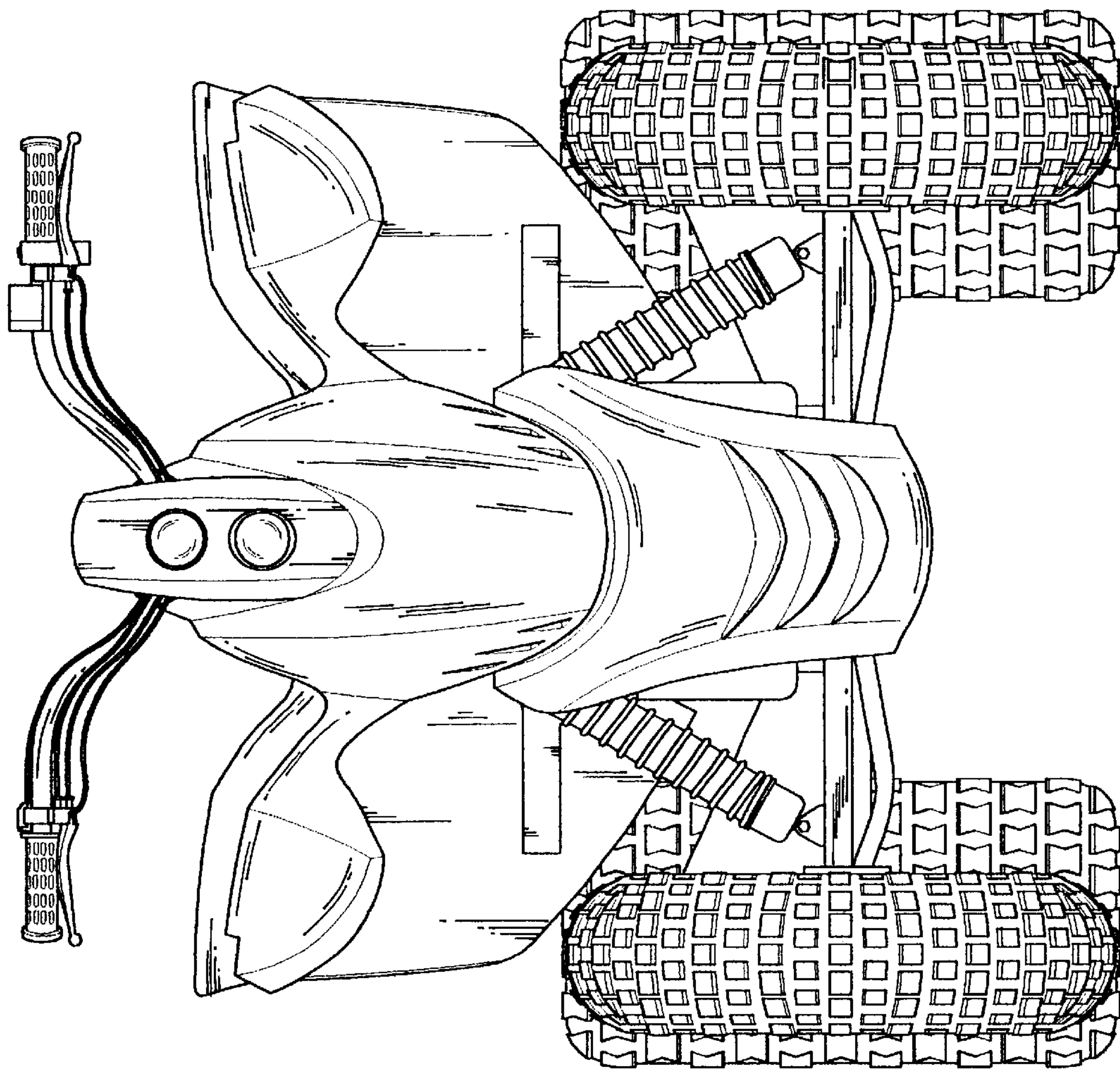


FIG. 1

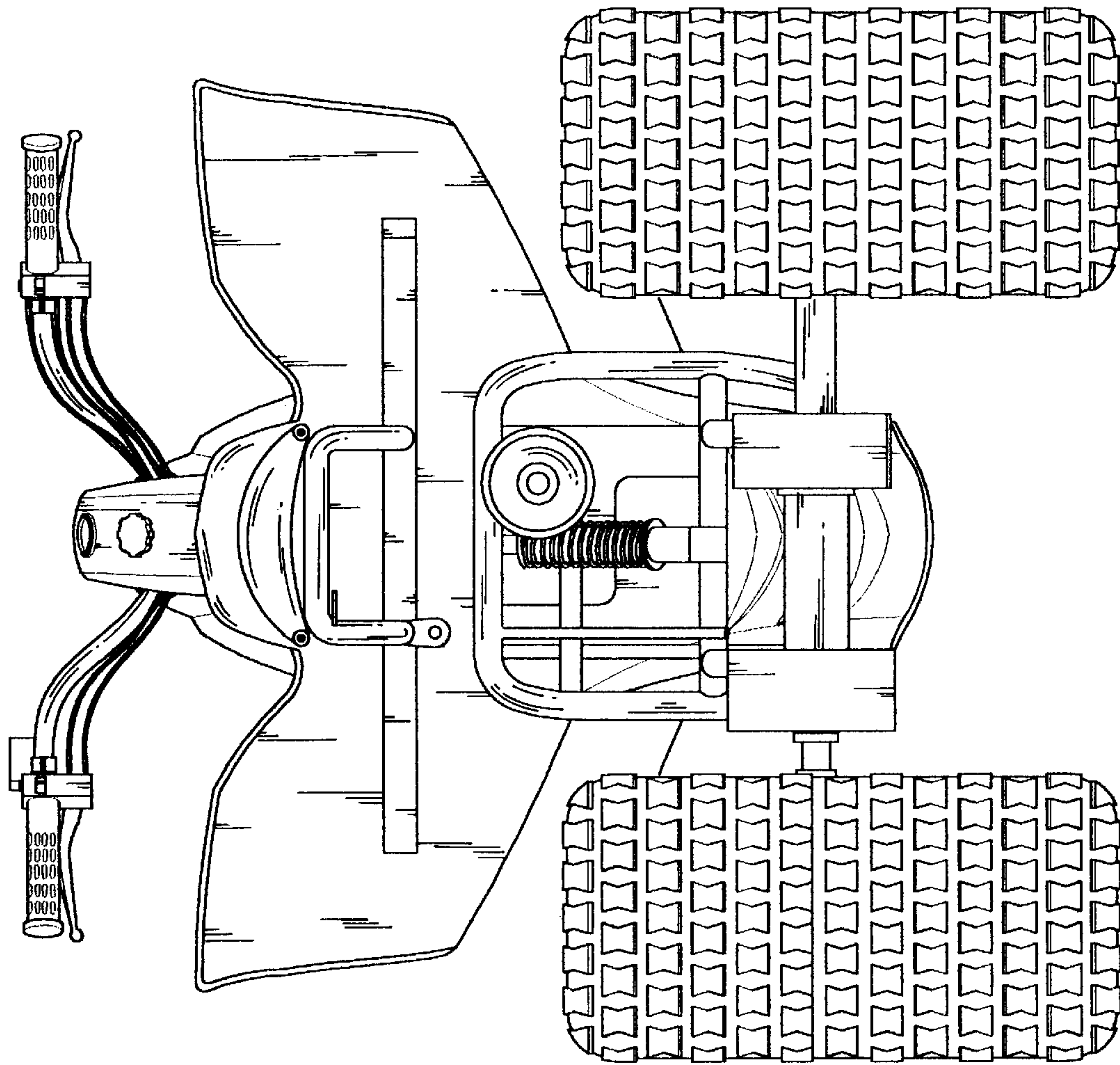


FIG. 2



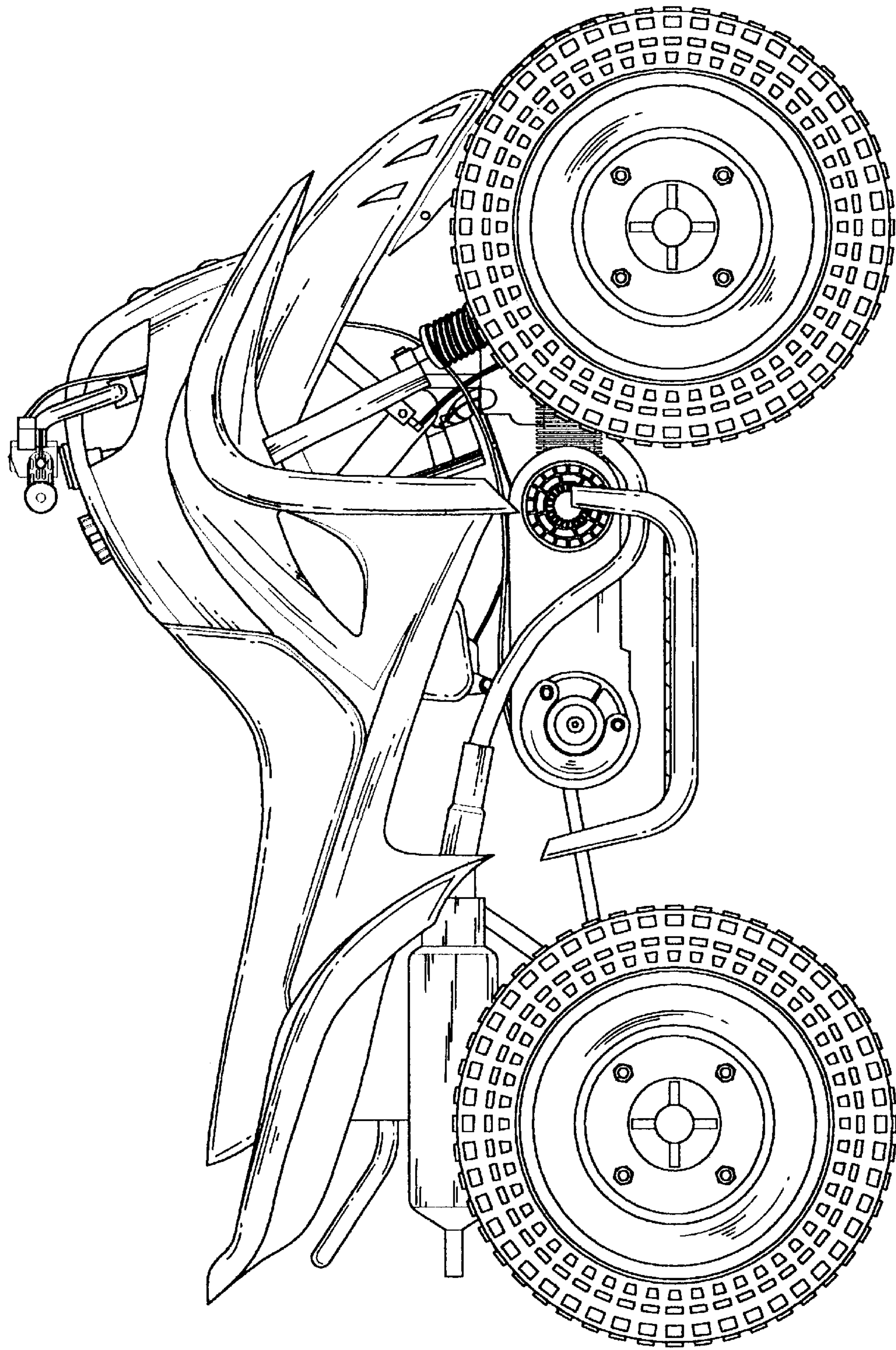


FIG. 3

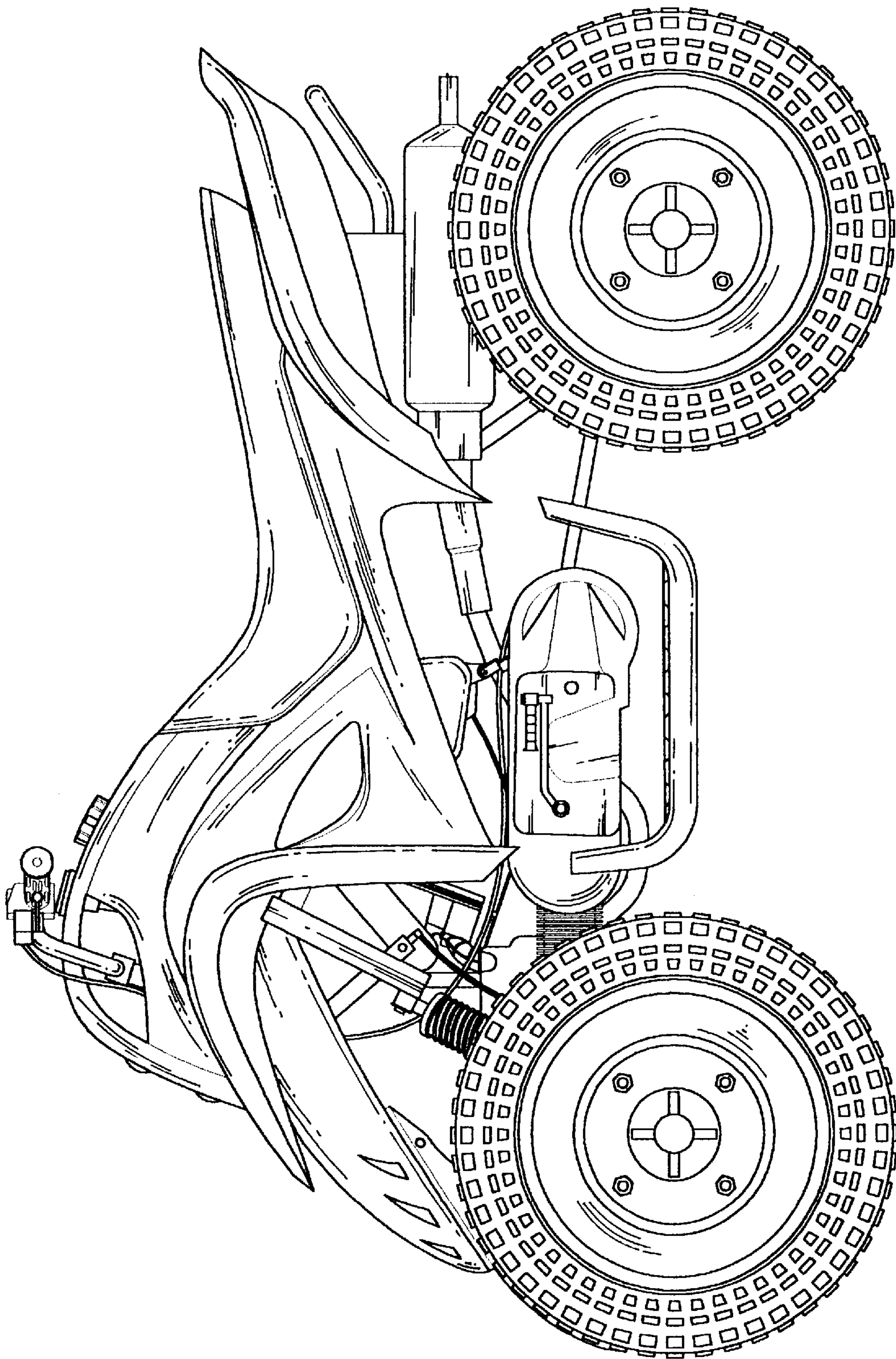


FIG.4



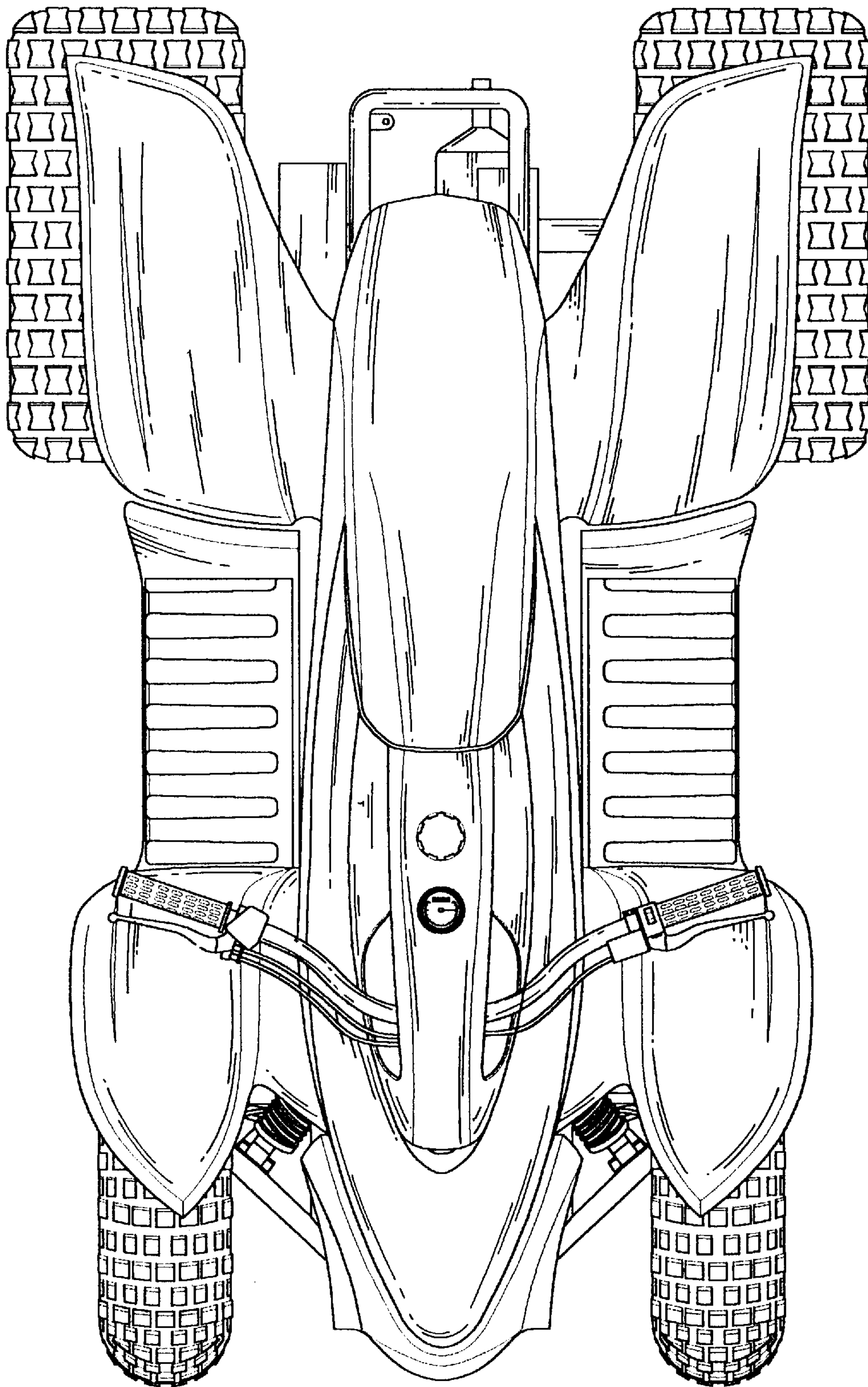


FIG. 5

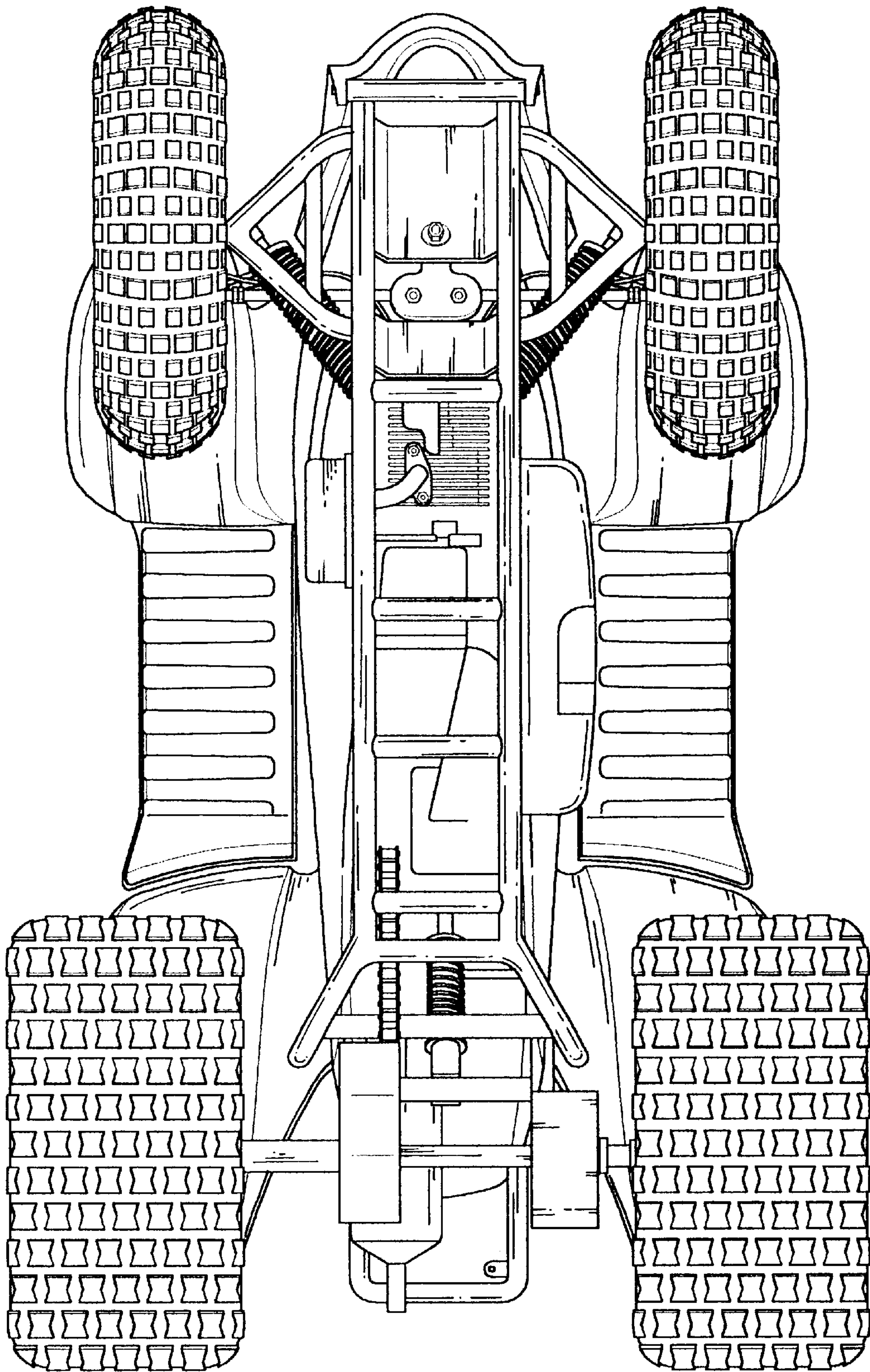


FIG. 6



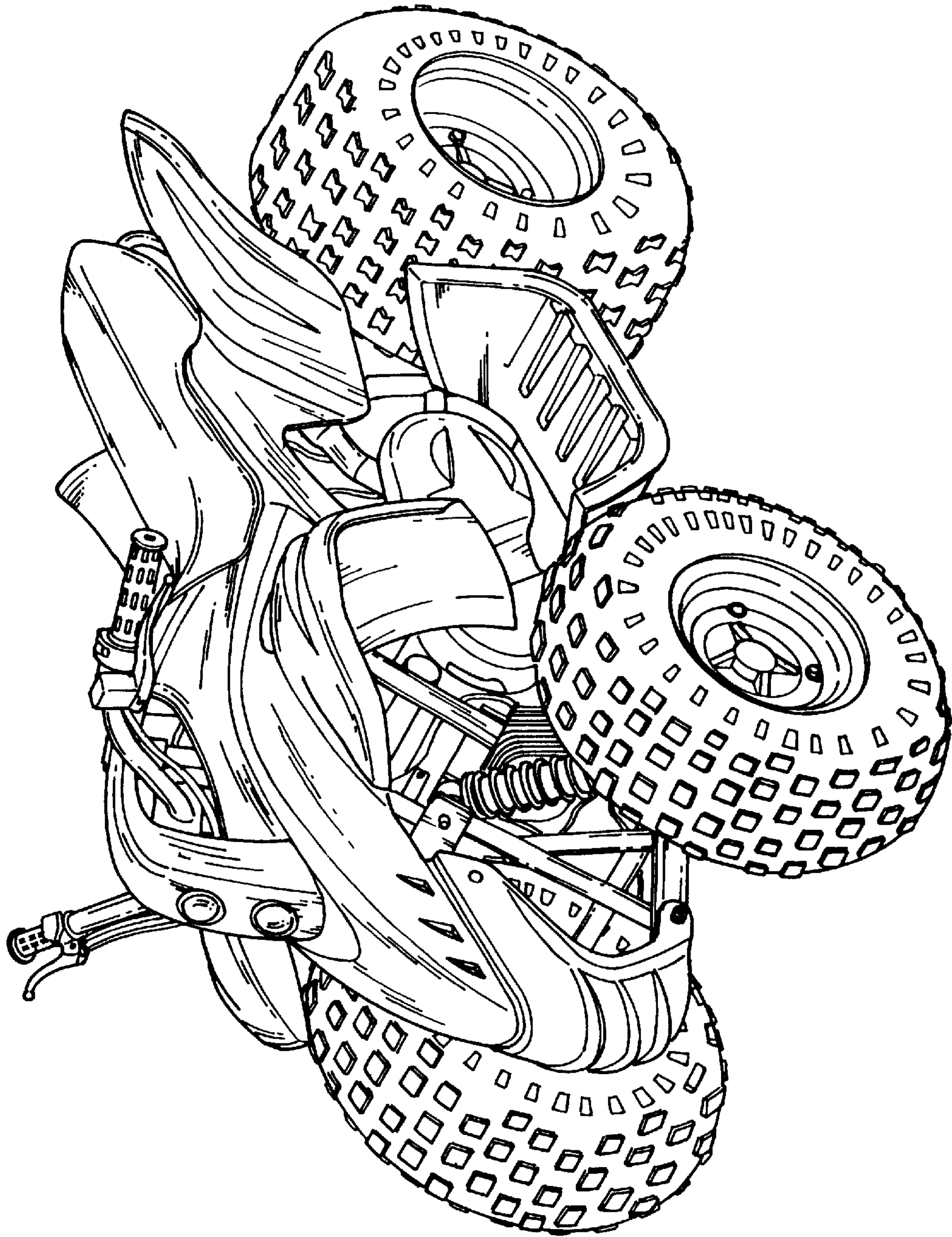


FIG. 7