



US00D446474B1

(12) **United States Design Patent**
Monike et al.

(10) **Patent No.:** **US D446,474 S**

(45) **Date of Patent:** **** Aug. 14, 2001**

(54) **SKI BIKE**

(76) Inventors: **Ray F. Monike; Sandra S. Monike,**
both of 5711 Hempline Rd., St. Louis,
MO (US) 63129

(**) Term: **14 Years**

(21) Appl. No.: **29/140,057**

(22) Filed: **Apr. 12, 2001**

(51) **LOC (7) Cl.** **12-14**

(52) **U.S. Cl.** **D12/9**

(58) **Field of Search** D12/9-11; 280/845,
280/11-16, 18-20, 21-24, 25

(56) **References Cited**

U.S. PATENT DOCUMENTS

D. 146,626	*	4/1947	Turner	D12/9
D. 168,741	*	2/1953	Giannotti	D12/10
D. 195,707	*	7/1963	Neece	D12/9
D. 215,458	*	10/1969	Latch	D12/9
D. 220,511	*	4/1971	Janos	D12/9
D. 223,267	*	4/1972	Molzen et al.	D12/9
D. 223,715	*	5/1972	Lennox	D12/10
D. 254,363	*	3/1980	Joyce	D12/10
D. 256,111	*	7/1980	Wagner	D12/9
D. 382,515	*	8/1997	Love	D12/9

2,359,076		9/1944	Asbury	.	
3,301,569	*	1/1967	Broschart	280/25
3,583,721	*	6/1971	Doran-Webb	280/16
3,717,359		2/1973	Peronnon et al.	.	
3,799,565	*	3/1974	Burtis et al.	280/16
4,005,859		2/1977	Tait	.	
5,335,925		8/1994	Dolson	.	
5,351,975		10/1994	Petoud	.	
5,863,051		1/1999	Breter	.	

* cited by examiner

Primary Examiner—Stacia Cadmus

(74) *Attorney, Agent, or Firm*—Stephen R. Greiner

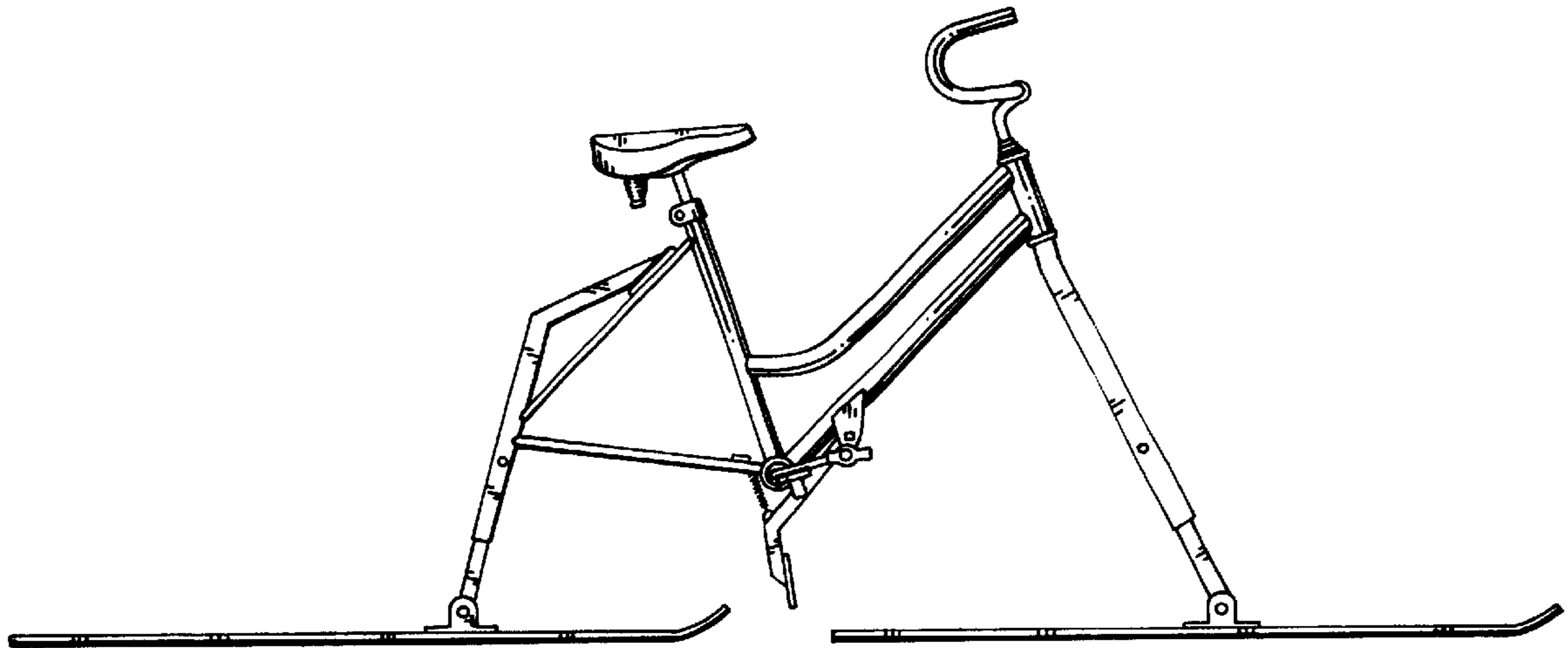
(57) **CLAIM**

The ornamental design for a ski bike, as shown and described.

DESCRIPTION

FIG. 1 is a right side elevational view of a ski bike showing my new design;
FIG. 2 is a front elevational view thereof;
FIG. 3 is a top elevational view thereof;
FIG. 4 is a bottom view thereof;
FIG. 5 is a rear view thereof; and,
FIG. 6 is a left side elevational view thereof.

1 Claim, 2 Drawing Sheets



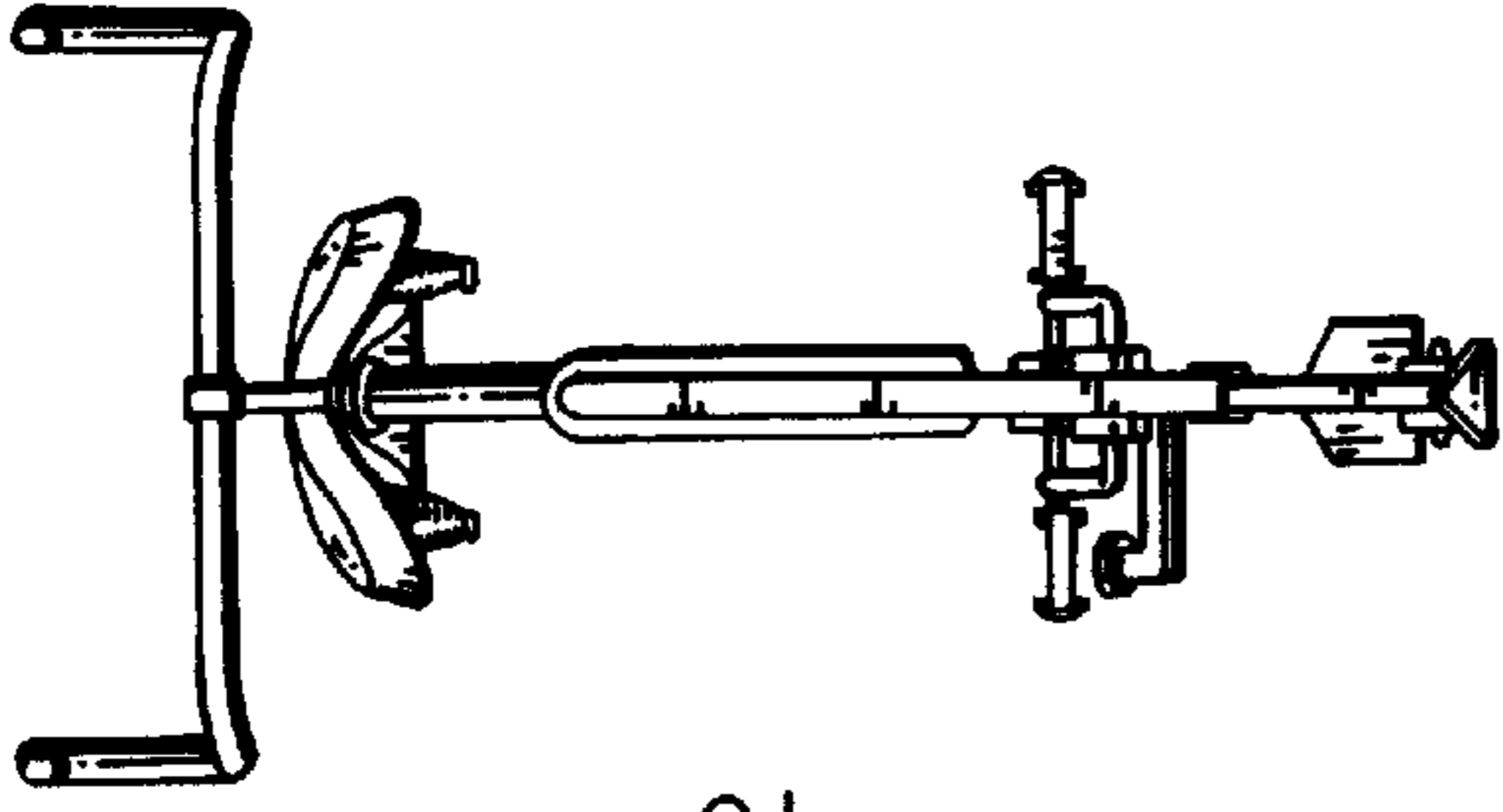


FIG. 2

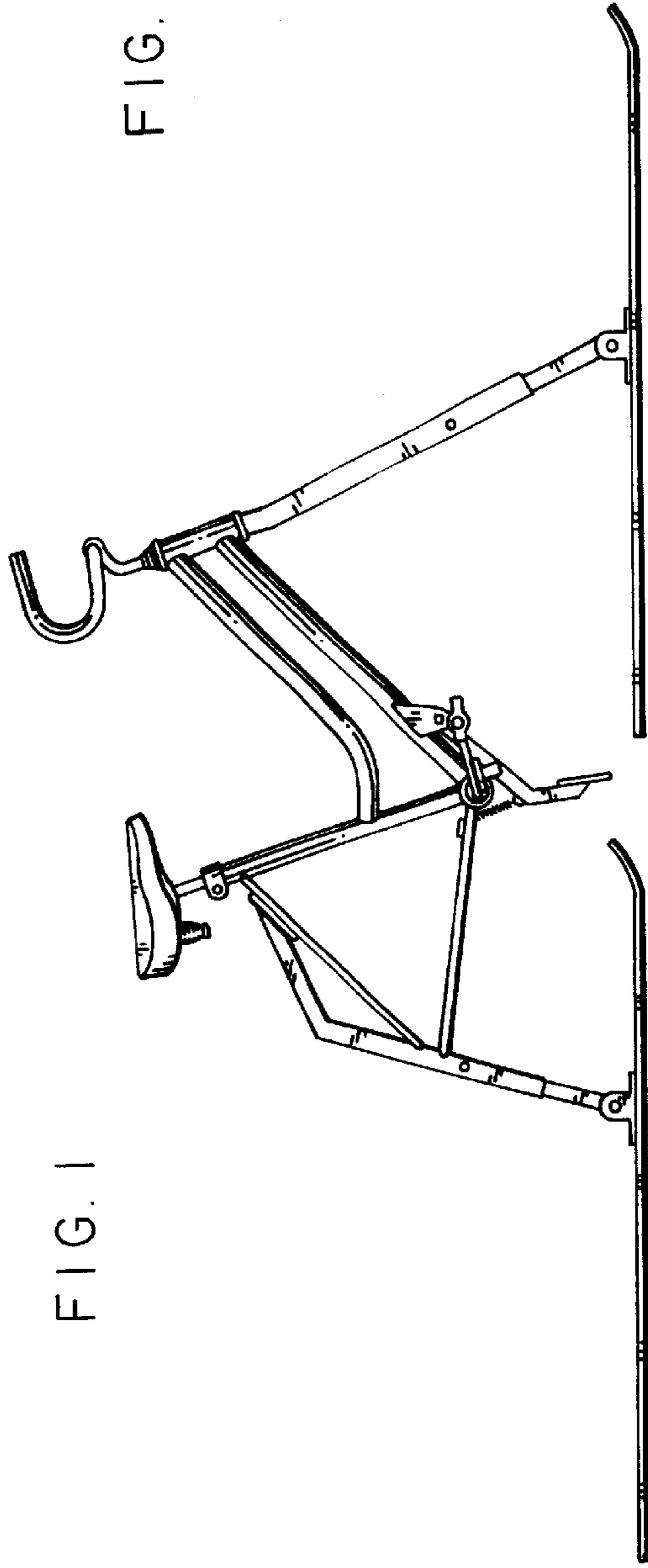


FIG. 1

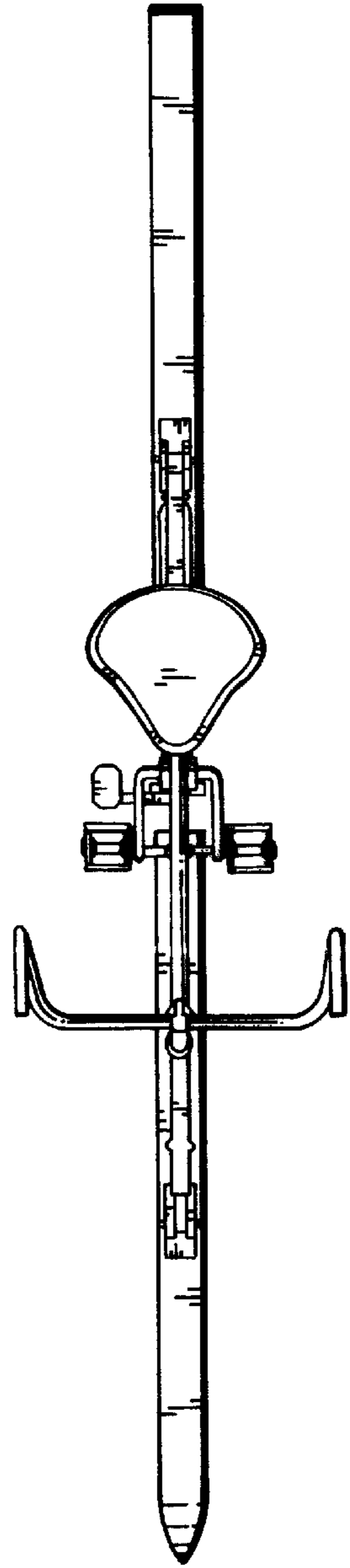


FIG. 3

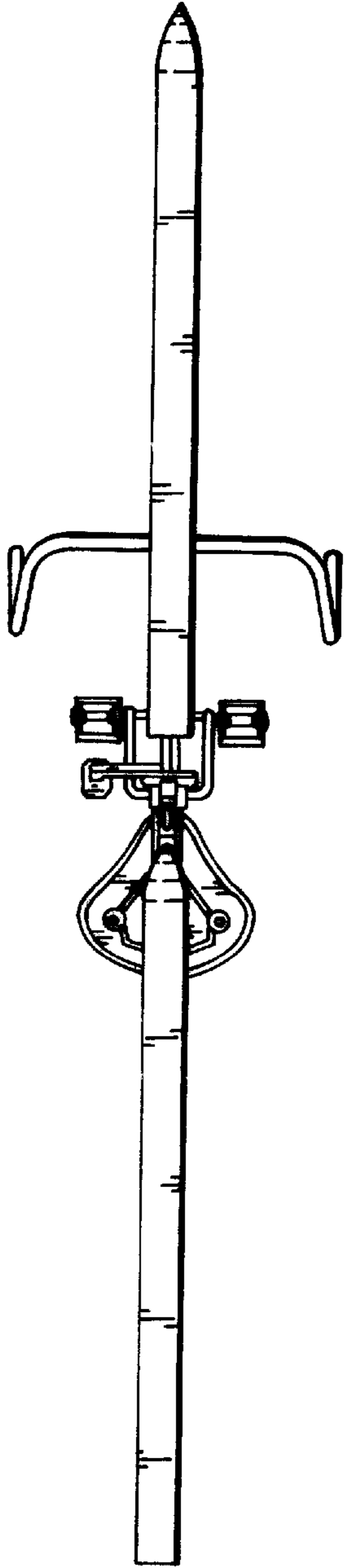


FIG. 4

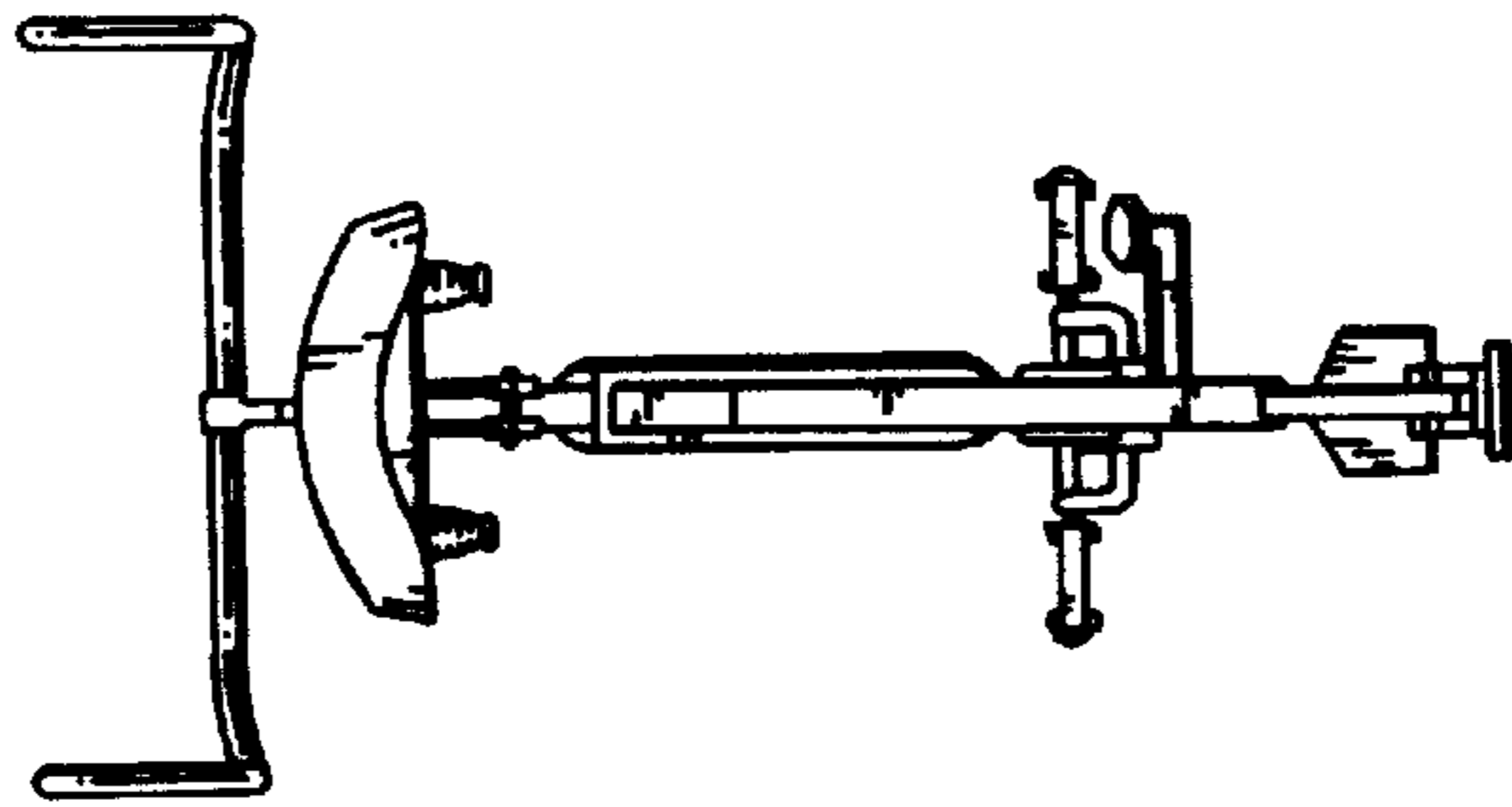


FIG. 5

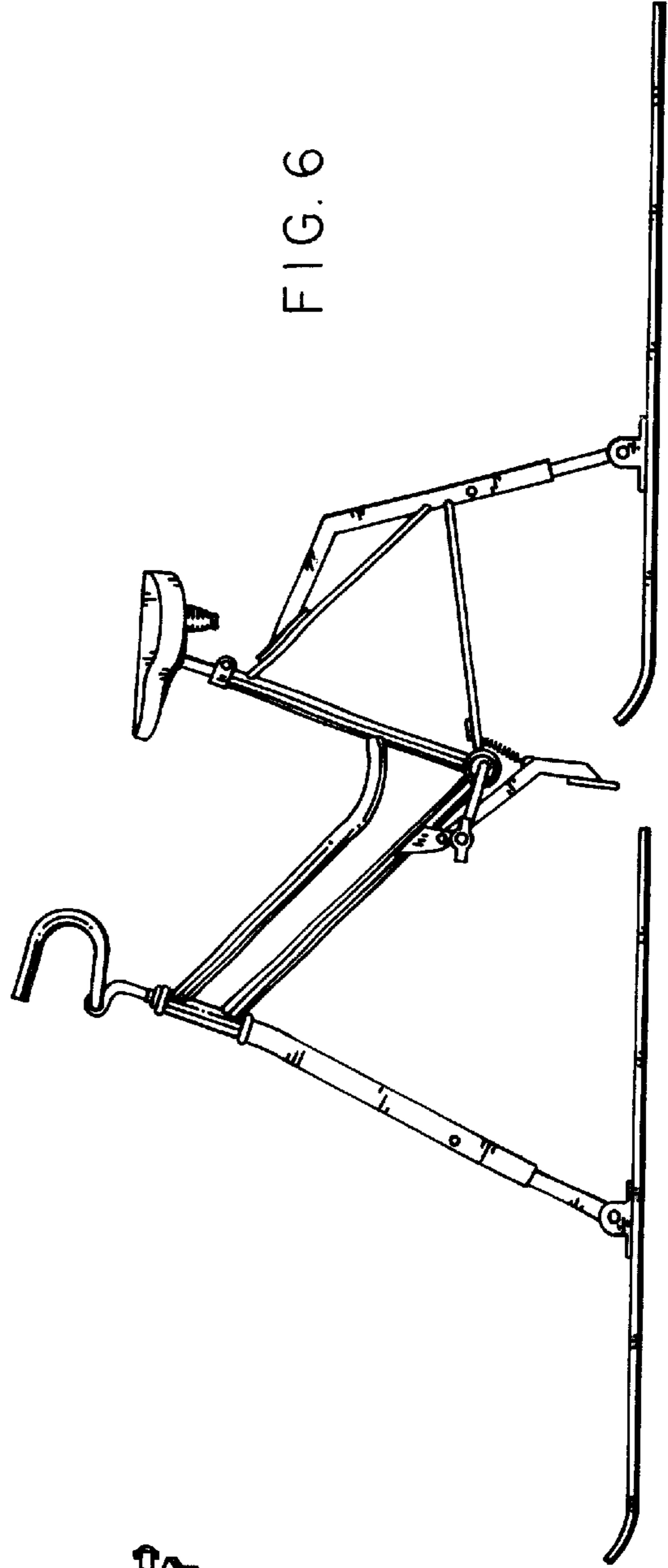


FIG. 6