



US00D446465B1

(12) **United States Design Patent**
Sloot

(10) **Patent No.:** **US D446,465 S**

(45) **Date of Patent:** **** Aug. 14, 2001**

(54) **LIGHT REFLECTING WARNING KIT FOR VEHICLES**

(75) Inventor: **Alexander Sloot**, Sugarloaf, PA (US)

(73) Assignee: **Printmark Industries, Inc.**, Hazleton, PA (US)

(**) Term: **14 Years**

(21) Appl. No.: **29/132,092**

(22) Filed: **Nov. 1, 2000**

(51) **LOC (7) Cl.** **10-05**

(52) **U.S. Cl.** **D10/109**

(58) **Field of Search** D10/104, 109,
D10/111, 113, 114; 116/63 C, 63 P, 63 T;
D20/10; D26/28-33

(56) **References Cited**

U.S. PATENT DOCUMENTS

- D. 397,632 * 9/1998 Evanyk D10/109
- D. 409,515 * 5/1999 Chen D10/109
- 5,050,327 9/1991 Woltman .

* cited by examiner

Primary Examiner—Marcus A. Jackson

(74) *Attorney, Agent, or Firm*—St. Onge Steward Johnston & Reens LLC

(57) **CLAIM**

The ornamental design for a light reflecting warning kit for vehicles, as shown and described.

DESCRIPTION

FIG. 1 is a frontal elevational view of a light reflective warning kit in accordance with the design.

FIG. 2 is a backside elevational view of a light reflective warning kit in accordance with the design.

FIG. 3 is a right side elevational view of a light reflective warning kit in accordance with the design.

FIG. 4 is a perspective view of the contents of a light reflective warning kit in accordance with the design shown in an unpacked state.

FIG. 5 is an elevational view of a front face of assembled together warning signs of a light reflective warning kit in accordance with the design.

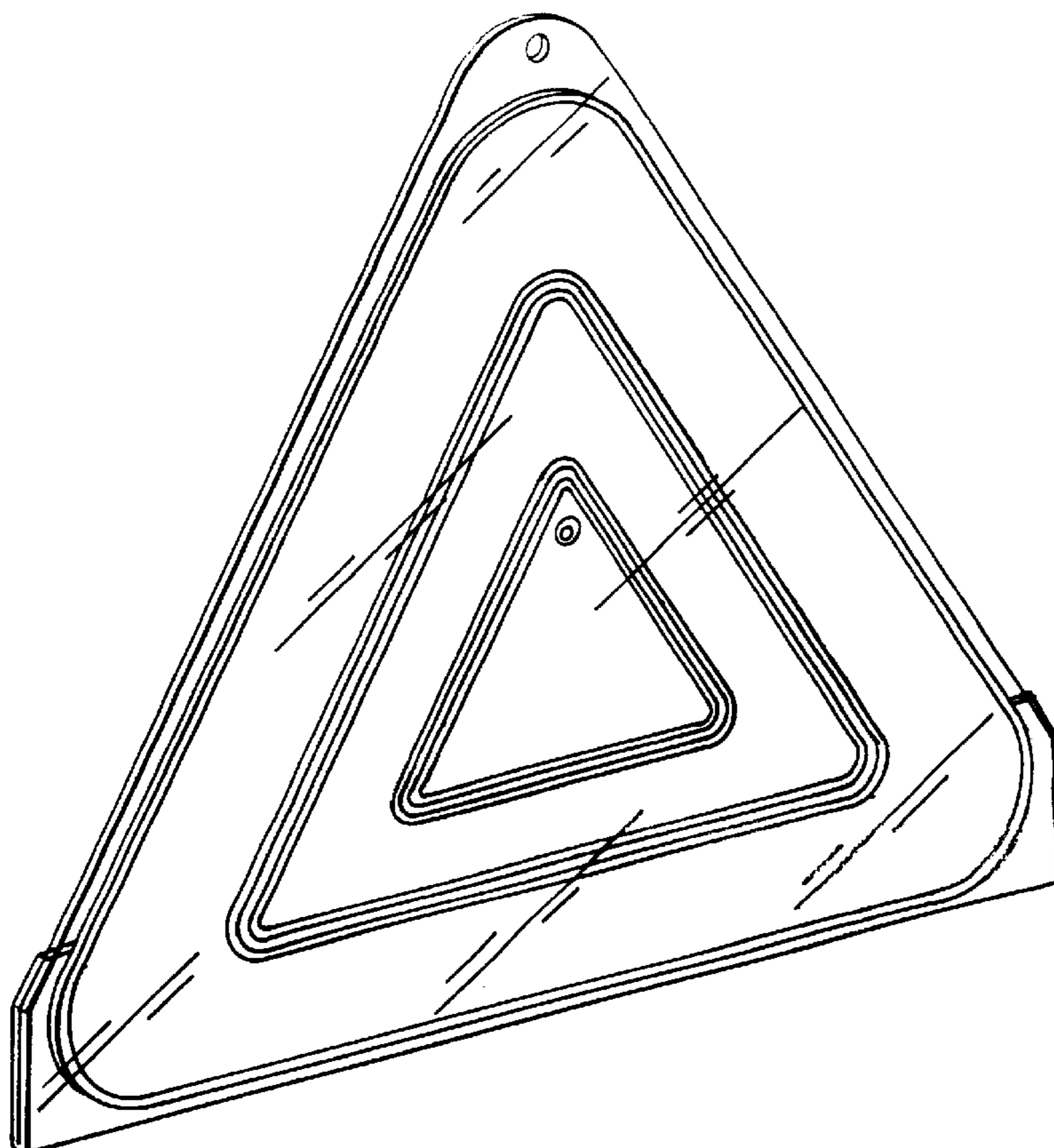
FIG. 6 is an elevational view of a rear face of assembled together warning signs of a light reflective warning kit in accordance with the design.

FIG. 7 is a top view of the assembled together warning signs of a light reflective warning kit in accordance with the design.

FIG. 8 is a side view of the assembled together warning signs of a light reflective warning kit in accordance with the design; and,

FIG. 9 is an exploded perspective view of warning signs of a light reflective kit in accordance with the design.

1 Claim, 4 Drawing Sheets



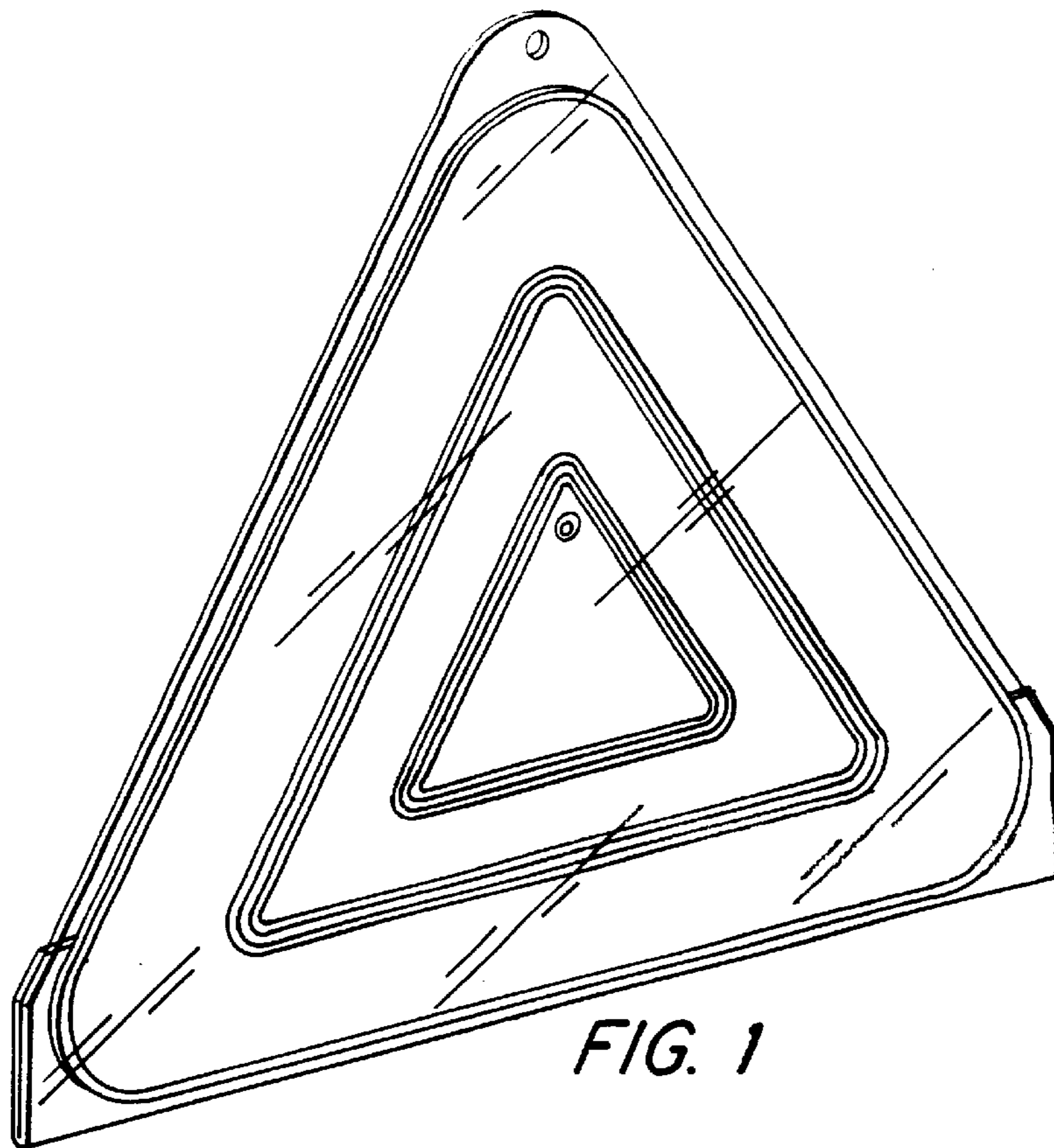


FIG. 1

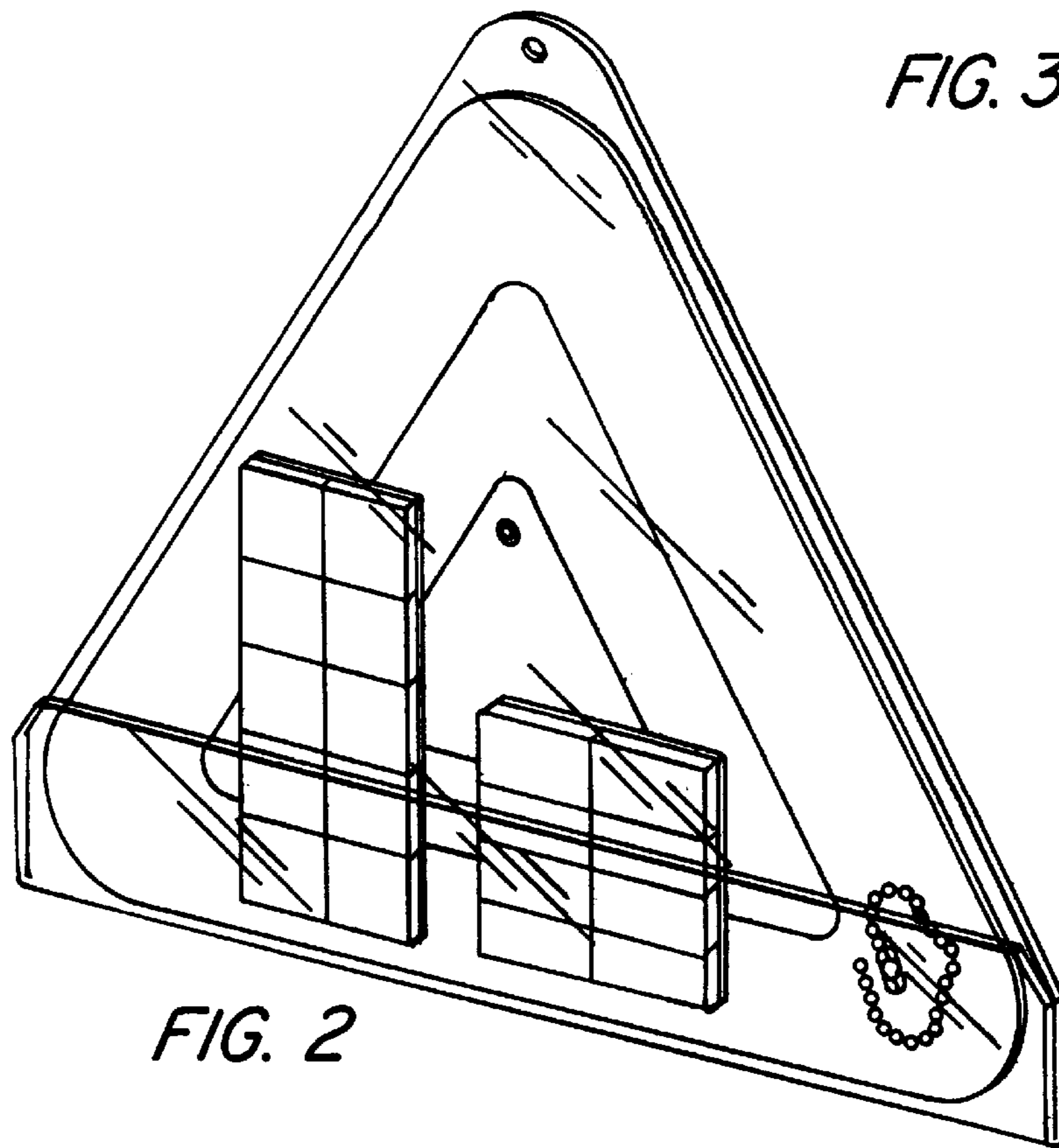


FIG. 2

FIG. 3



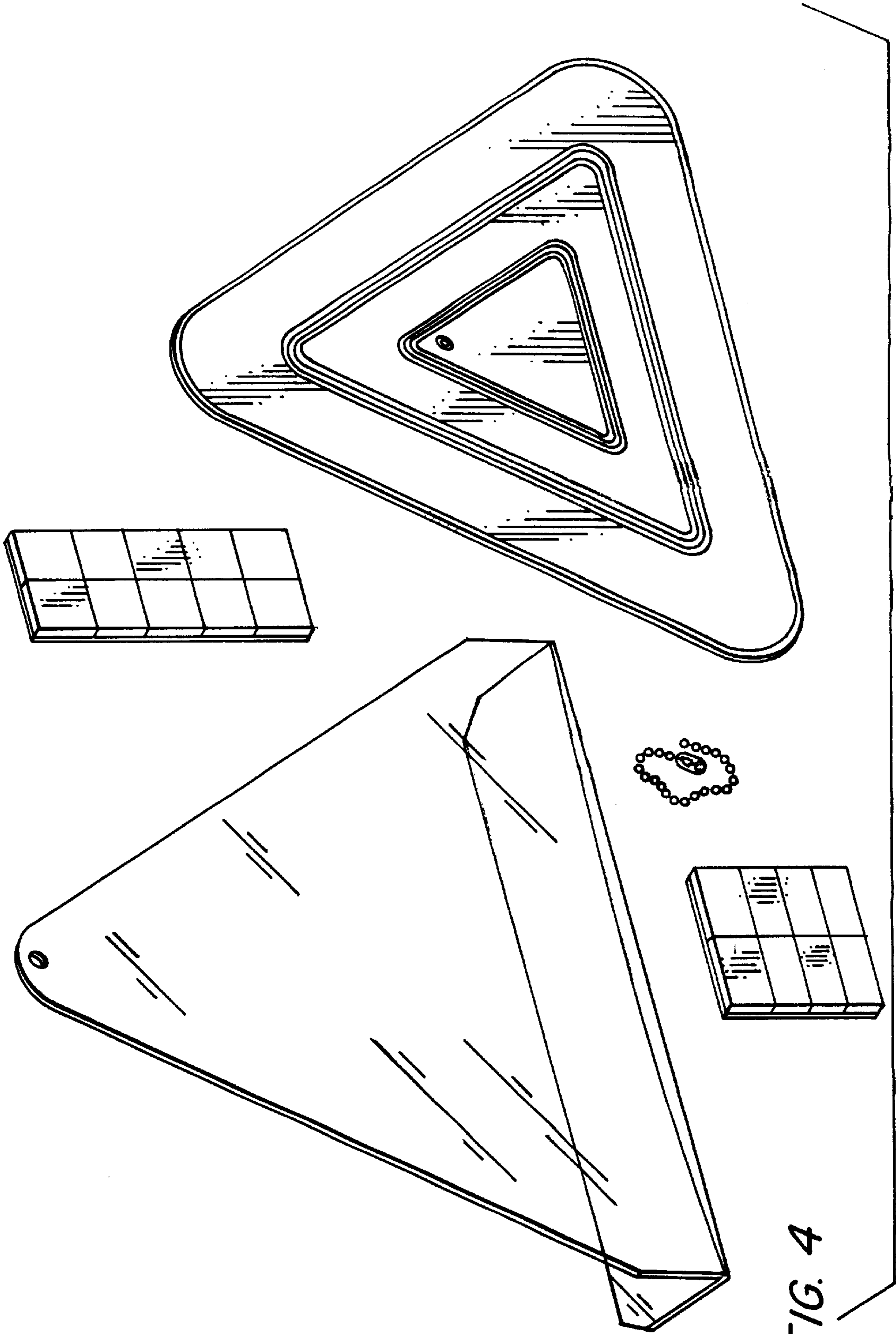


FIG. 4

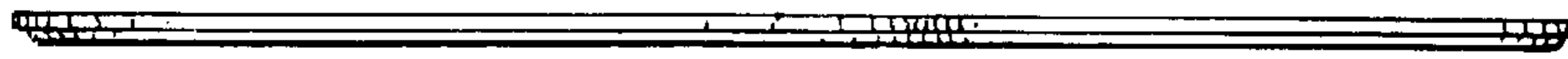


FIG. 7

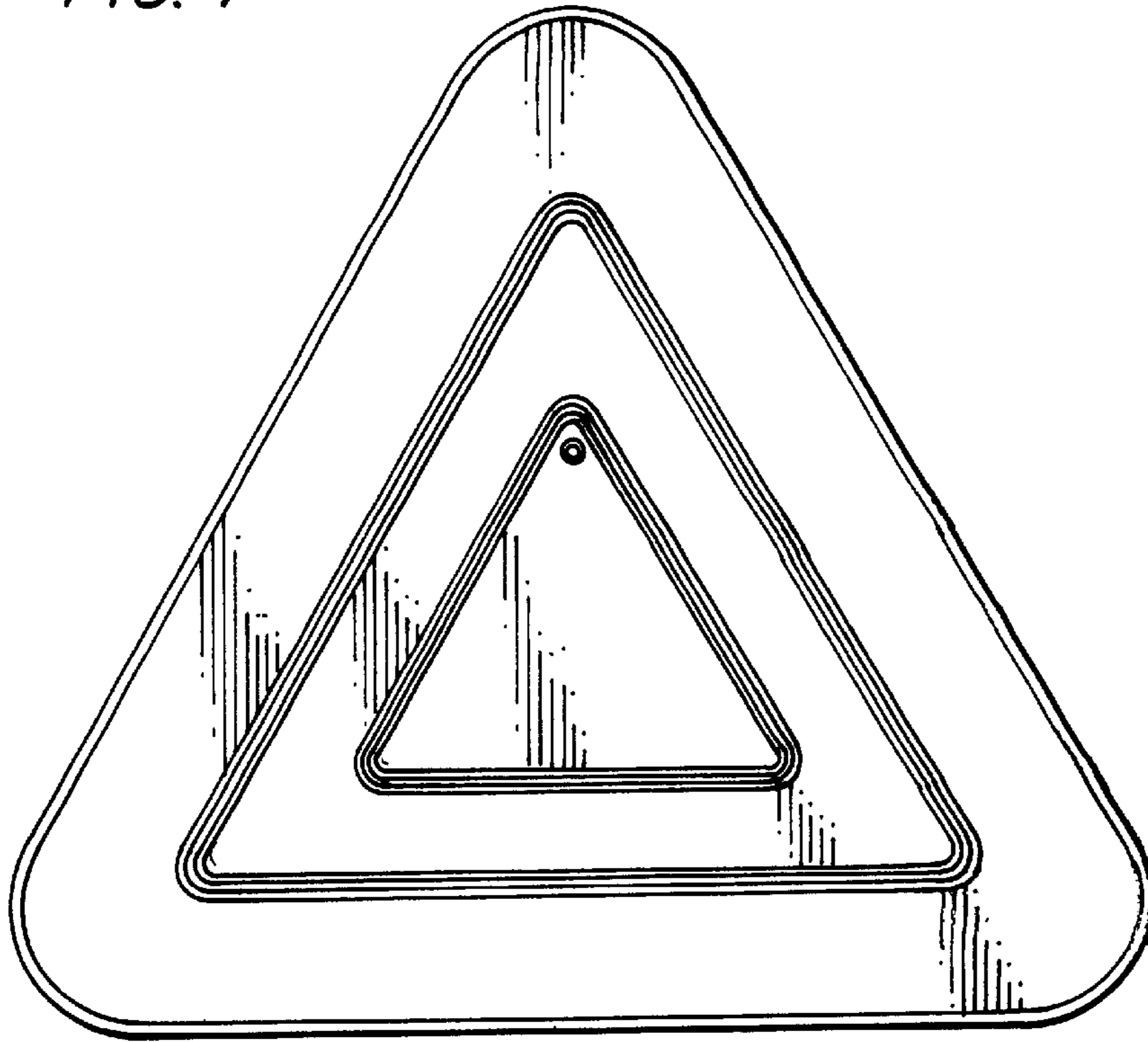


FIG. 5

FIG. 8

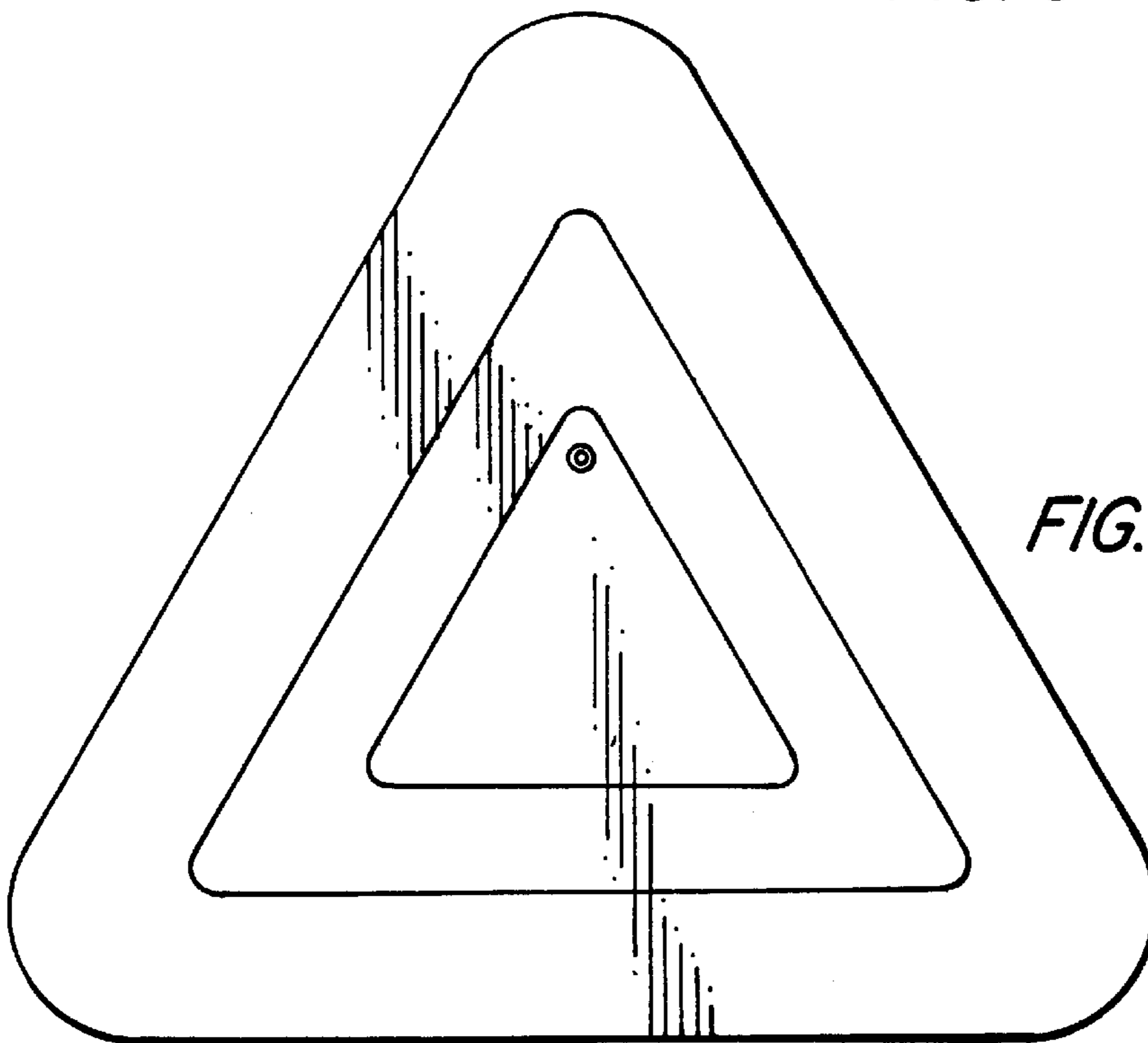


FIG. 6

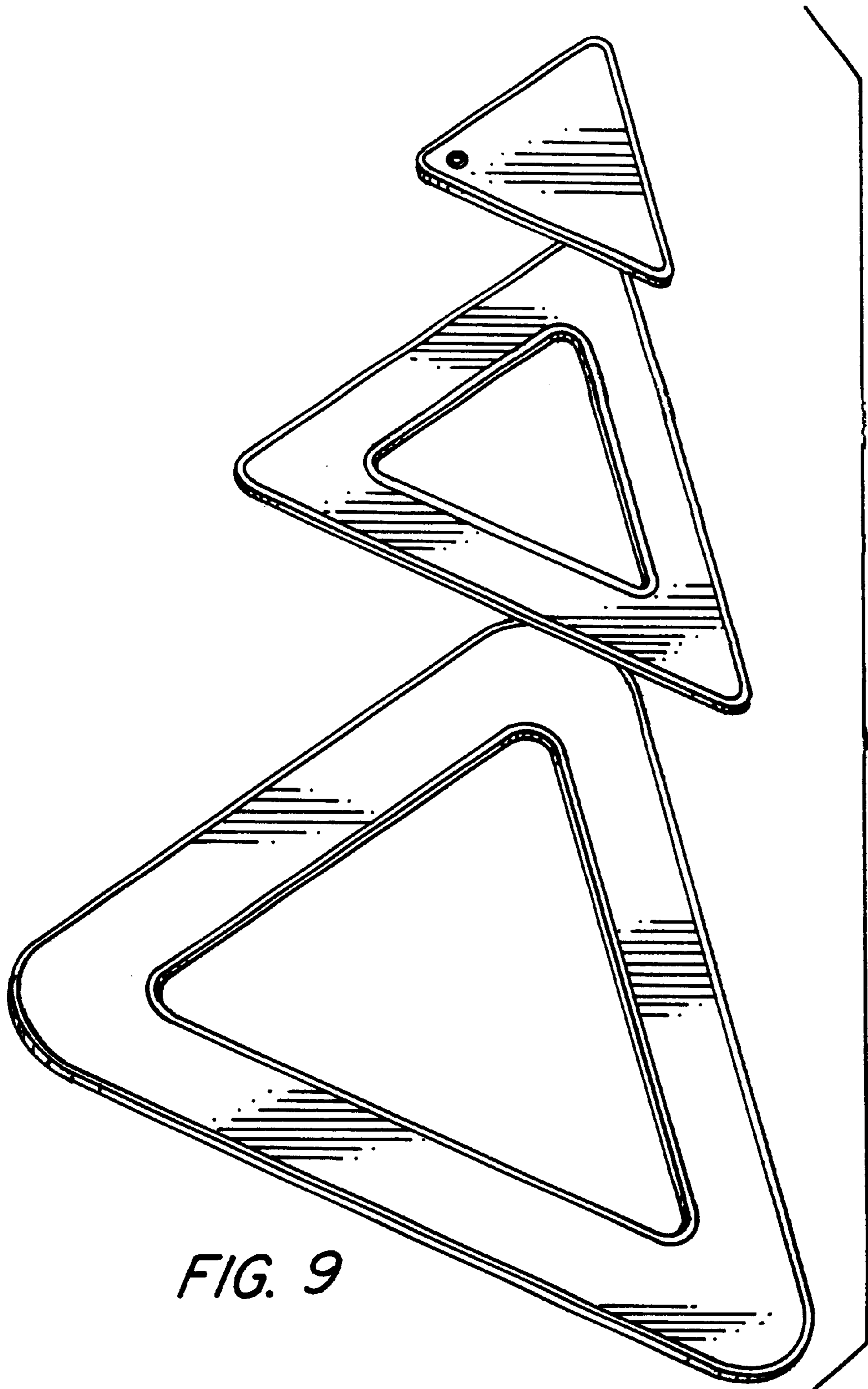


FIG. 9