



US00D446464B1

(12) **United States Design Patent**
Chou

(10) **Patent No.:** **US D446,464 S**

(45) **Date of Patent:** **** Aug. 14, 2001**

(54) **PAPER CURRENCY RECOGNITION MACHINE**

D. 404,667 * 1/1999 Montgomery et al. D10/104
D. 420,611 * 2/2000 Fujii et al. D10/104

(75) Inventor: **Shang-Ter Chou**, Taoyuan (TW)

* cited by examiner

(73) Assignee: **Gamemax Corporation**, Taipei (TW)

Primary Examiner—Marcus A. Jackson

(**) Term: **14 Years**

(74) *Attorney, Agent, or Firm*—Rabin & Champagne, P.C.

(21) Appl. No.: **29/134,293**

(57) **CLAIM**

The ornamental design for a paper currency recognition machine, as shown and described.

(22) Filed: **Dec. 20, 2000**

DESCRIPTION

(51) **LOC (7) Cl.** **10-05**

(52) **U.S. Cl.** **D10/104**

(58) **Field of Search** D10/104, 106,
D10/121; 340/565, 568, 571, 573, 572,
500, 502, 503, 504, 505, 506

FIG. 1 is a perspective view of a paper currency recognition machine showing my design;

FIG. 2 is a front view thereof;

FIG. 3 is a rear view thereof;

FIG. 4 is a left side view thereof;

FIG. 5 is a right side view thereof;

FIG. 6 is a top view thereof; and,

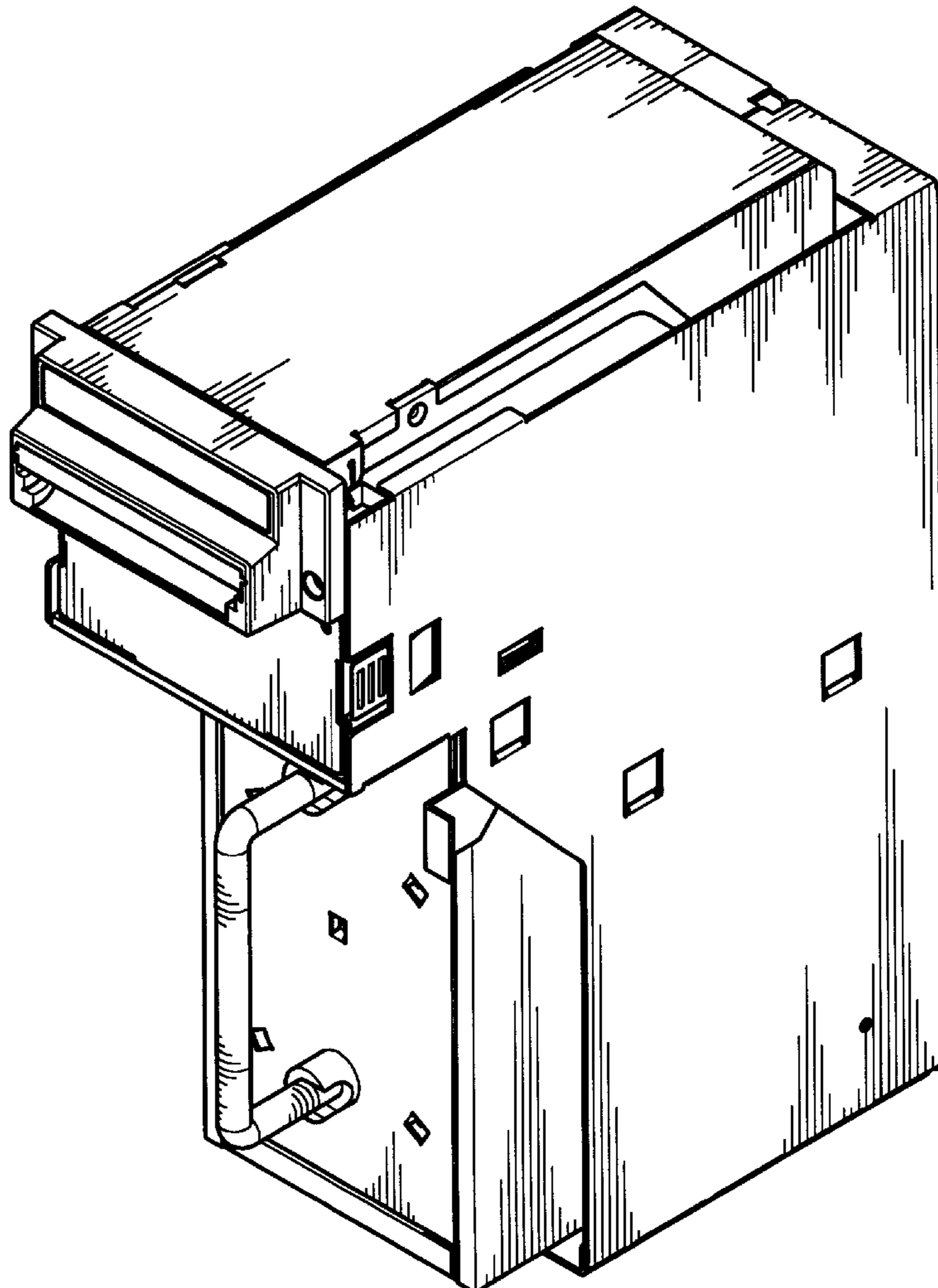
FIG. 7 is a bottom view thereof.

(56) **References Cited**

U.S. PATENT DOCUMENTS

D. 391,182 * 2/1998 Schneider et al. D10/104

1 Claim, 7 Drawing Sheets



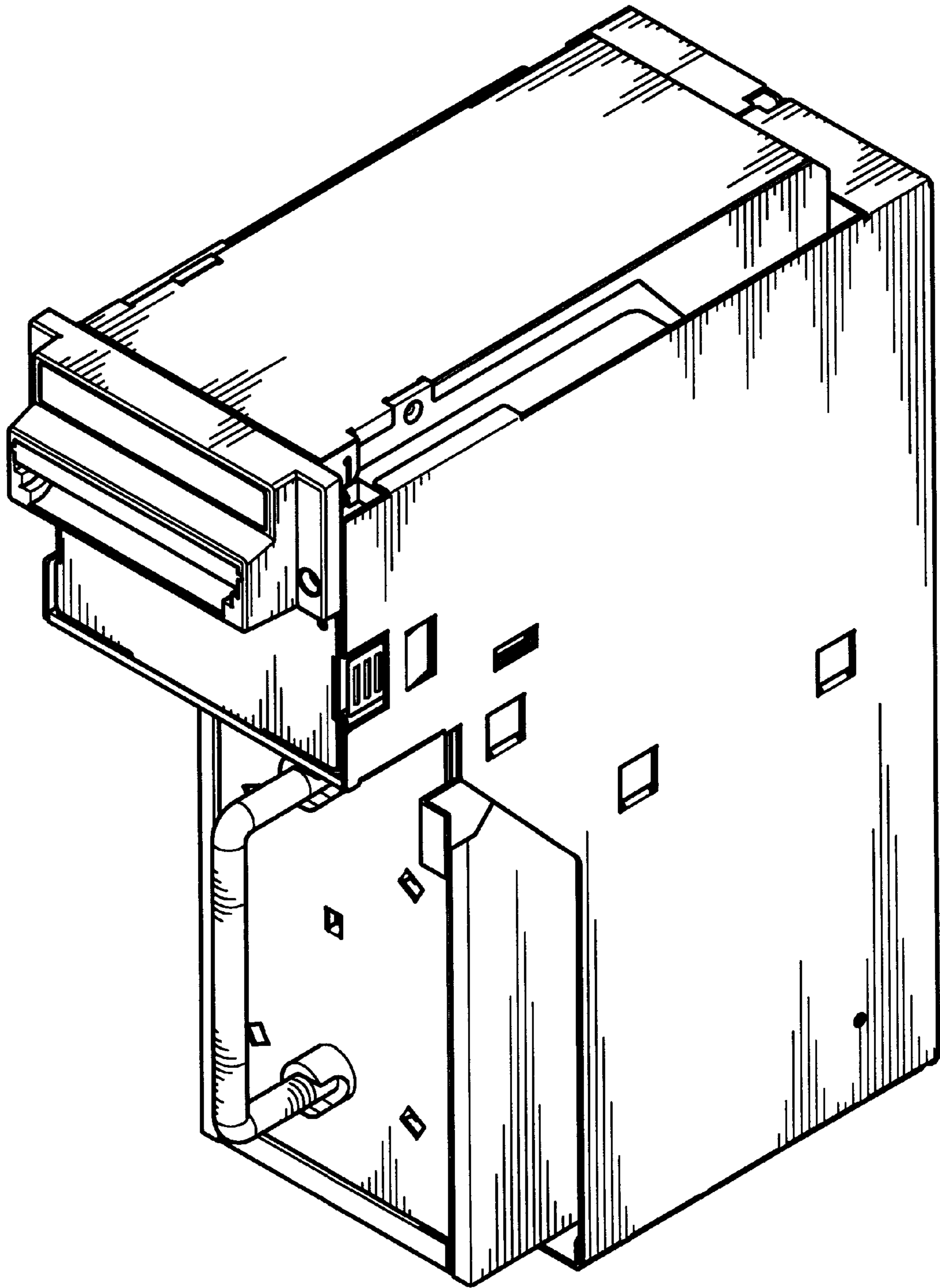


FIG. 1

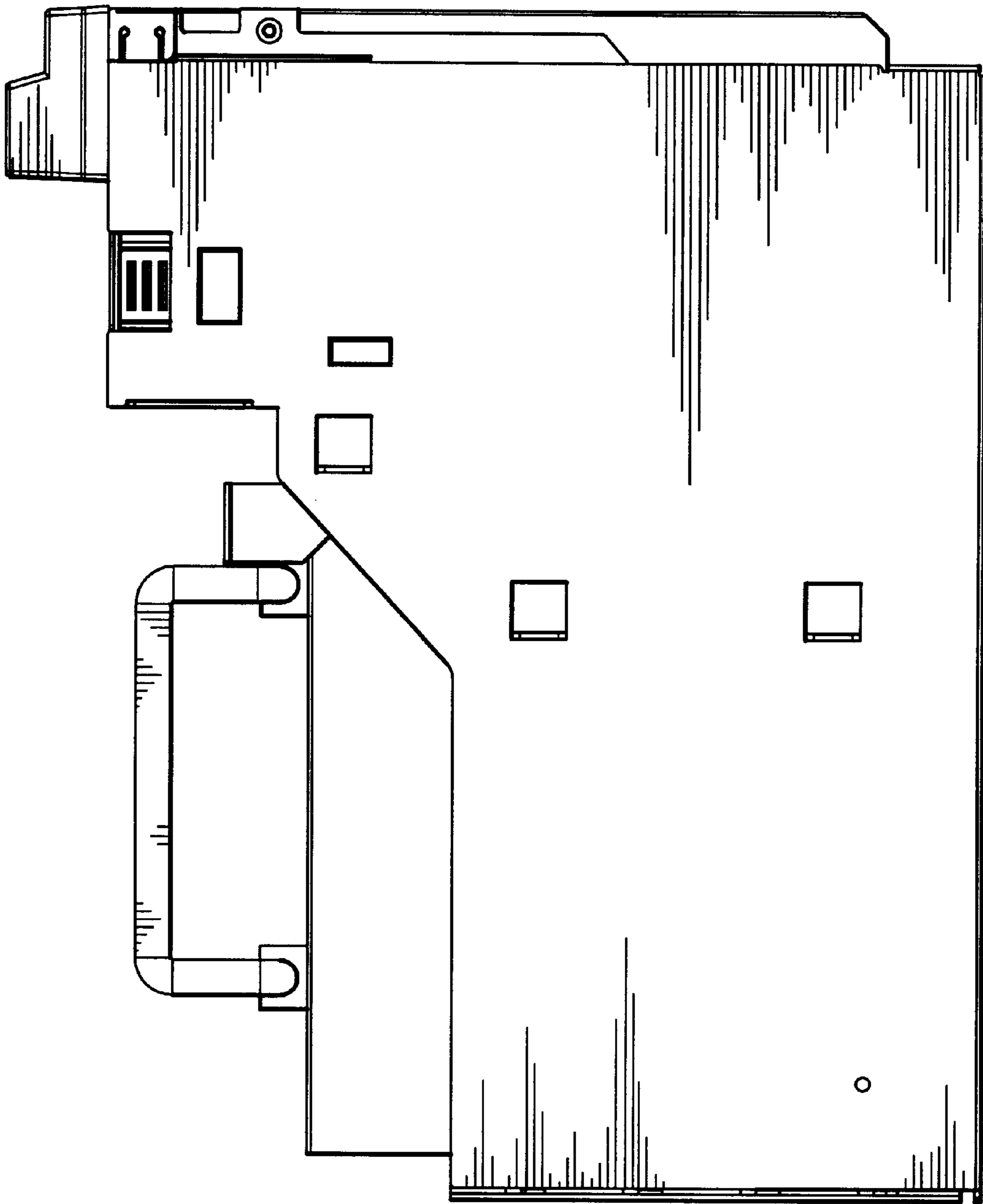


FIG. 2

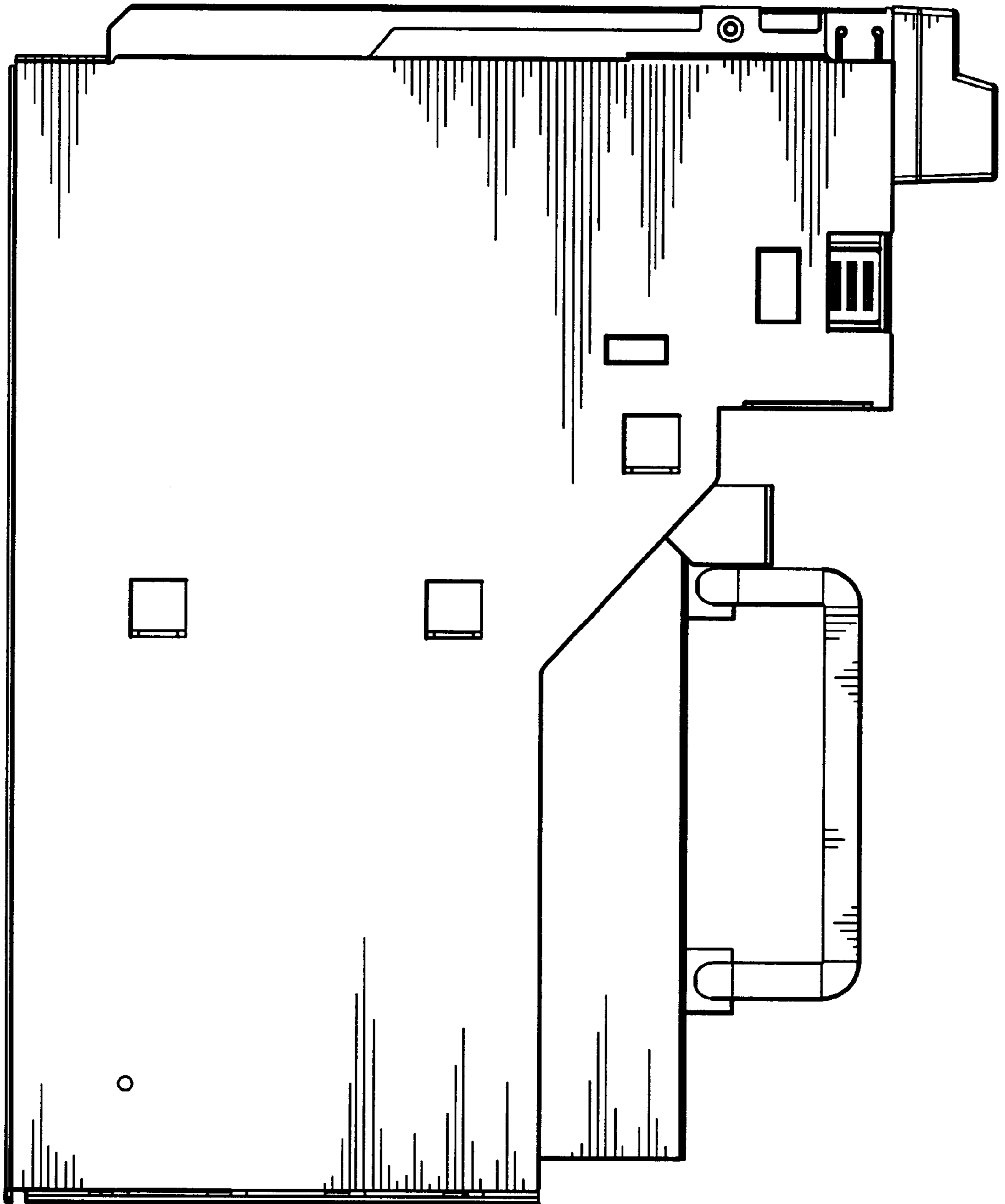


FIG. 3

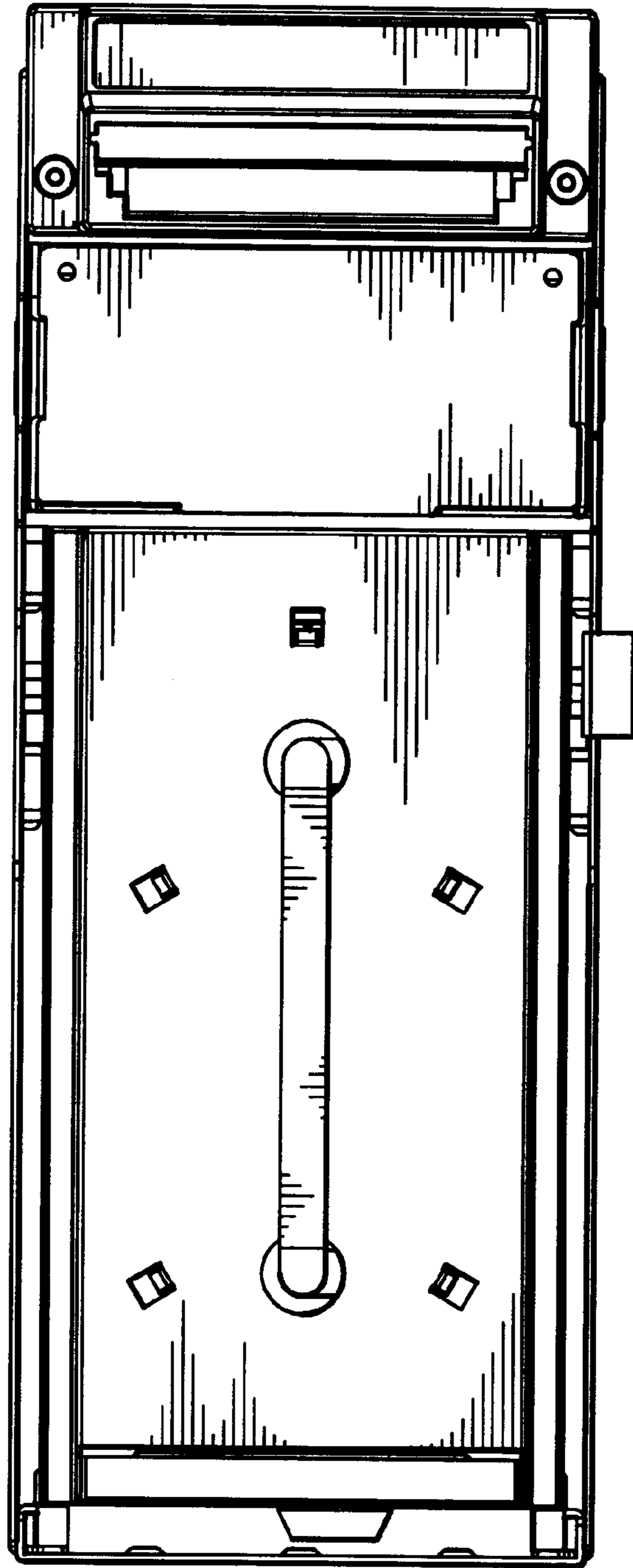


FIG. 4

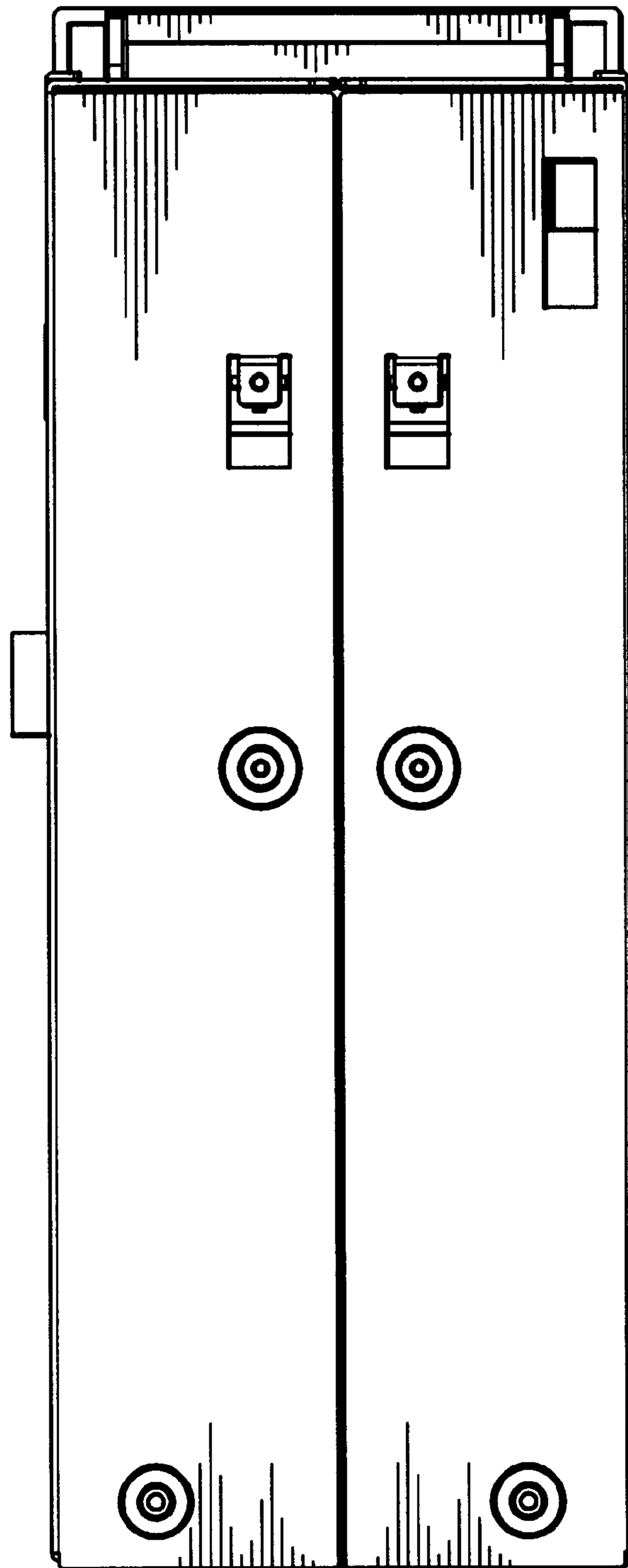


FIG. 5

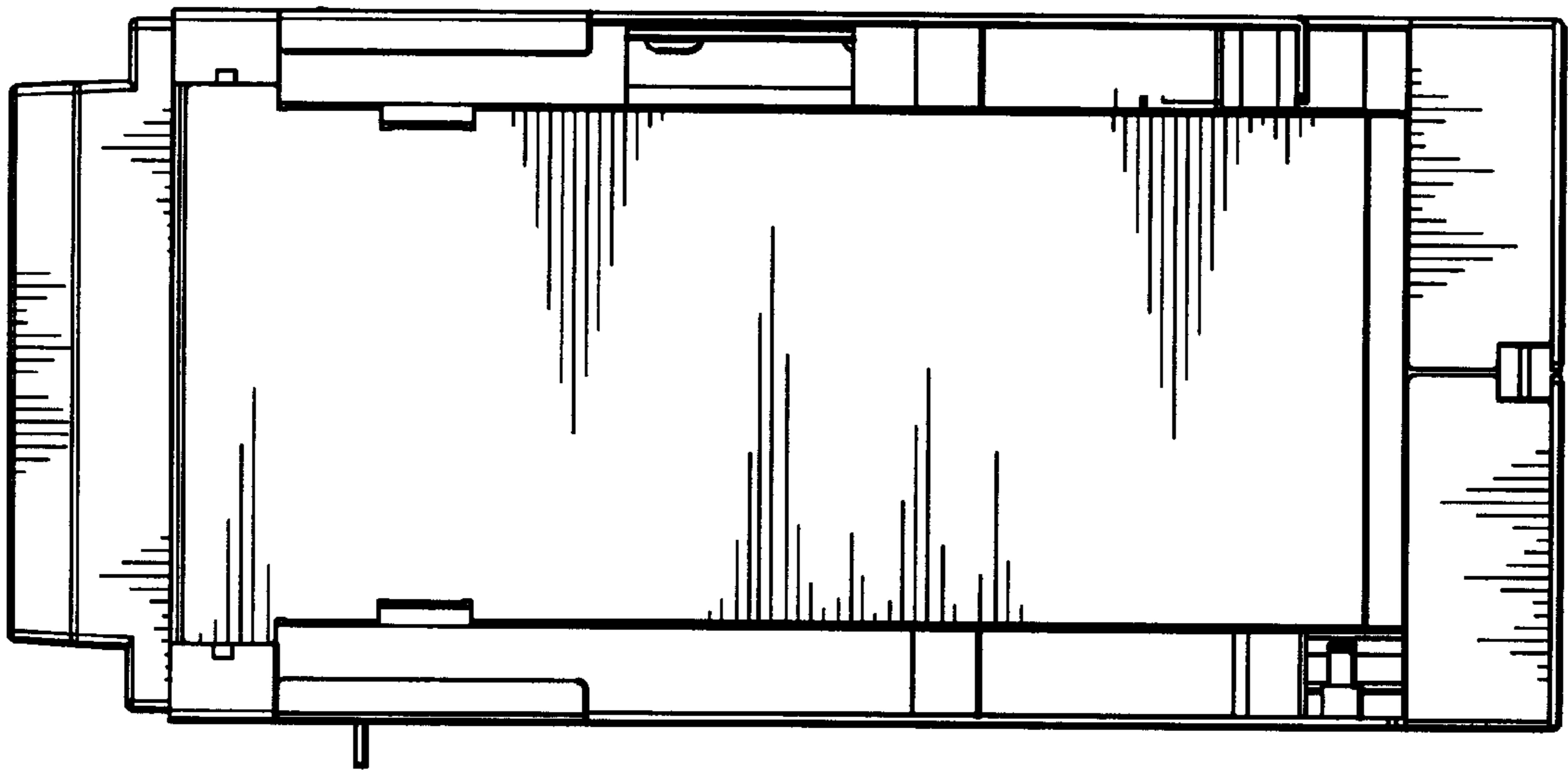


FIG. 6

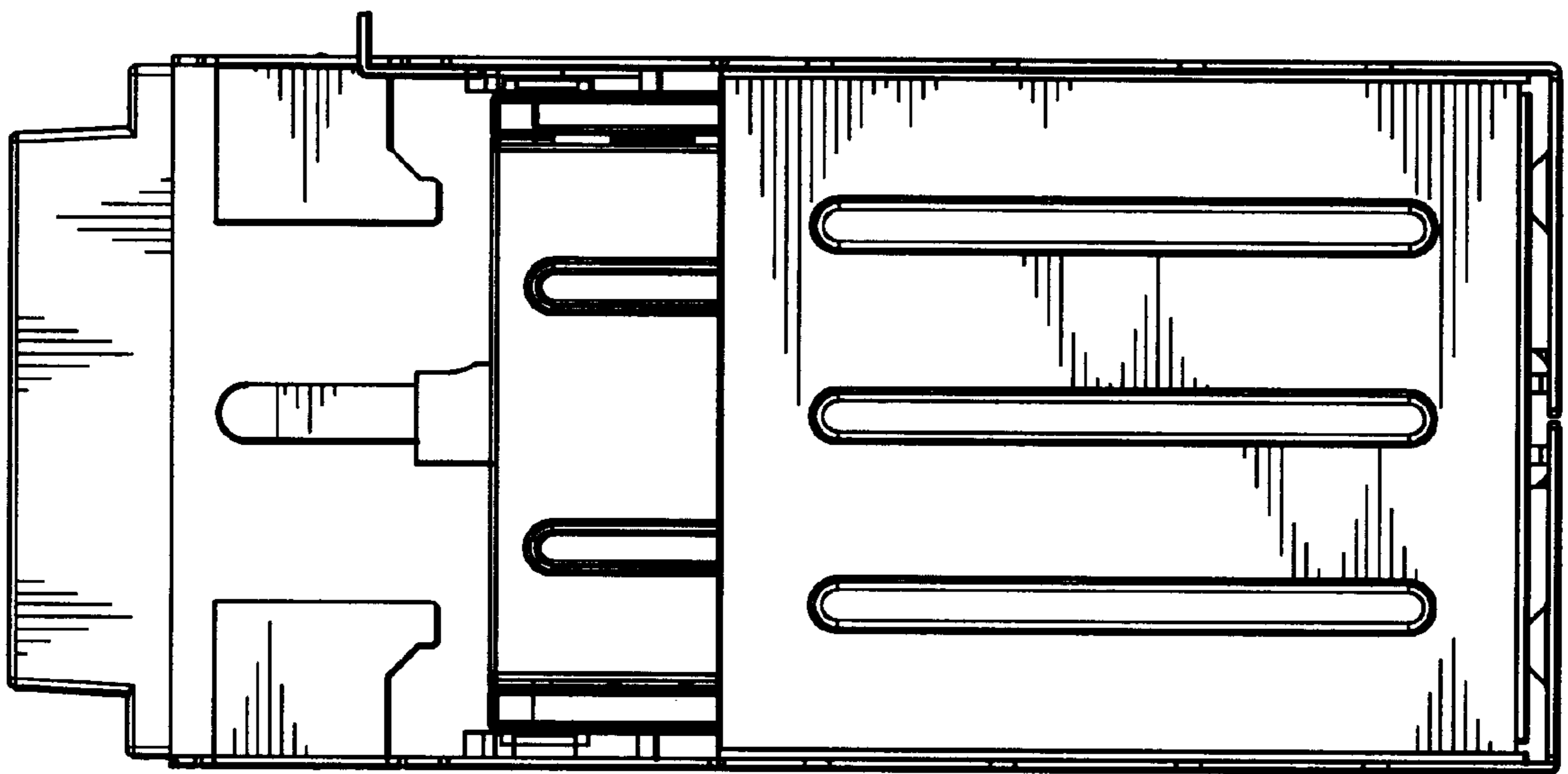


FIG. 7