



US00D446460B1

(12) **United States Design Patent**  
**Leykekhmakher et al.**

(10) **Patent No.:** **US D446,460 S**

(45) **Date of Patent:** **\*\* Aug. 14, 2001**

(54) **TABLE CLOCK**

D. 334,144 \* 3/1993 Chen ..... D10/6  
D. 350,699 \* 9/1994 Lincourt ..... D10/6

(76) Inventors: **Beril Volf Leykekhmakher**, 2400 E.  
3rd St. Apt. # 203, Brooklyn, NY (US)  
11223; **Anna Berenbaum**, 2-37 29th  
St., Fair Lawn, NJ (US) 07410

**OTHER PUBLICATIONS**

European Jeweler—(U.Z.)—Aug. 1986—p. 86—clocks at  
top right.\*

(\*\*) Term: **14 Years**

\* cited by examiner

(21) Appl. No.: **29/117,574**

*Primary Examiner*—Nelson C. Holtje

(22) Filed: **Jan. 27, 2000**

(57) **CLAIM**

(51) **LOC (7) Cl.** ..... **10-01**

The ornamental design for table clock, as shown and  
described.

(52) **U.S. Cl.** ..... **D10/1; D10/28**

(58) **Field of Search** ..... D10/1-40, 122-132;  
368/276-277, 285, 316-317

**DESCRIPTION**

(56) **References Cited**

FIG. 1 is a front elevation view table clock showing my new  
design;

**U.S. PATENT DOCUMENTS**

FIG. 2 is a rear elevation view thereof;

FIG. 3 is a side elevational view thereof;

FIG. 4 is a top elevational view thereof; and,

FIG. 5 is a bottom elevational view thereof.

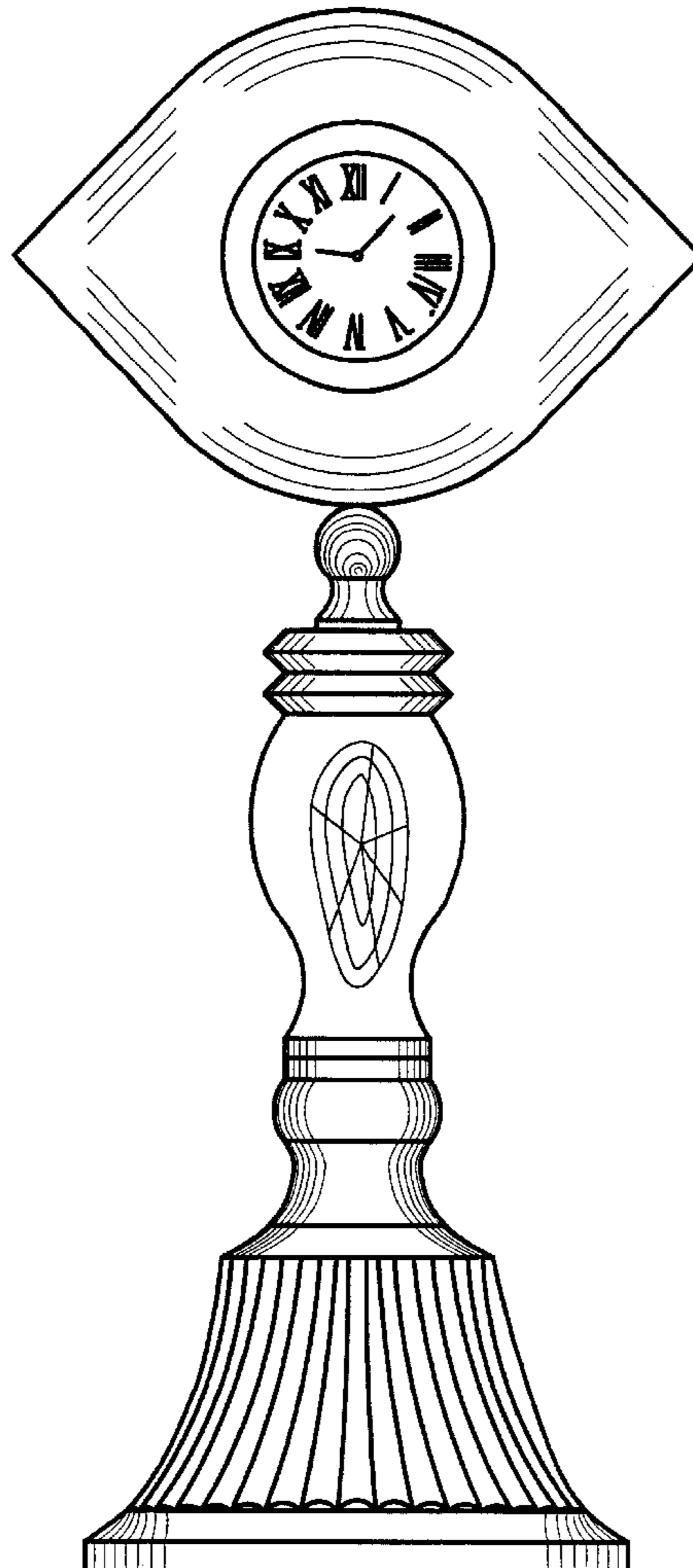
D. 66,125 \* 12/1924 Katz ..... D10/2

D. 83,204 \* 2/1931 Levy ..... D10/7

D. 163,864 \* 7/1951 Gold ..... D10/2

D. 317,263 \* 6/1991 Rothman ..... D10/23

**1 Claim, 4 Drawing Sheets**



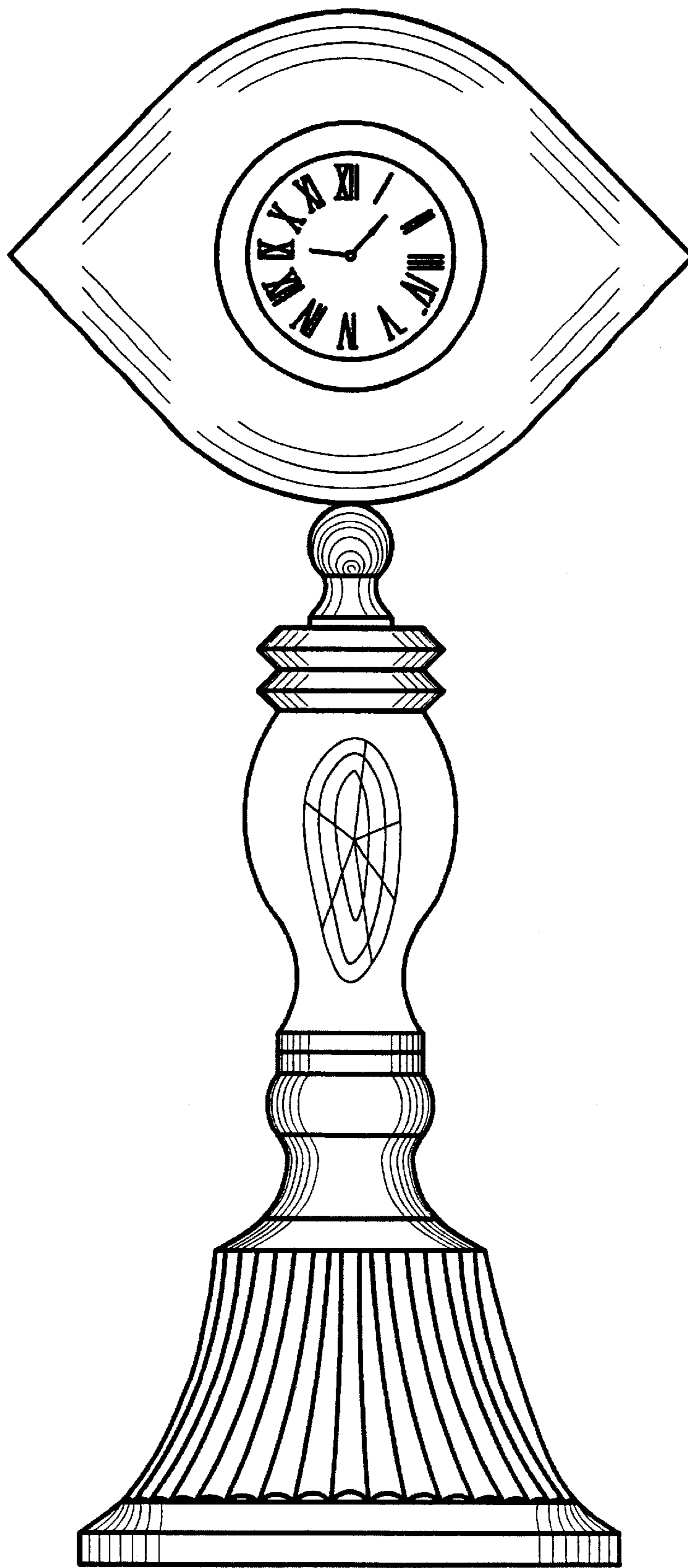


FIG. 1

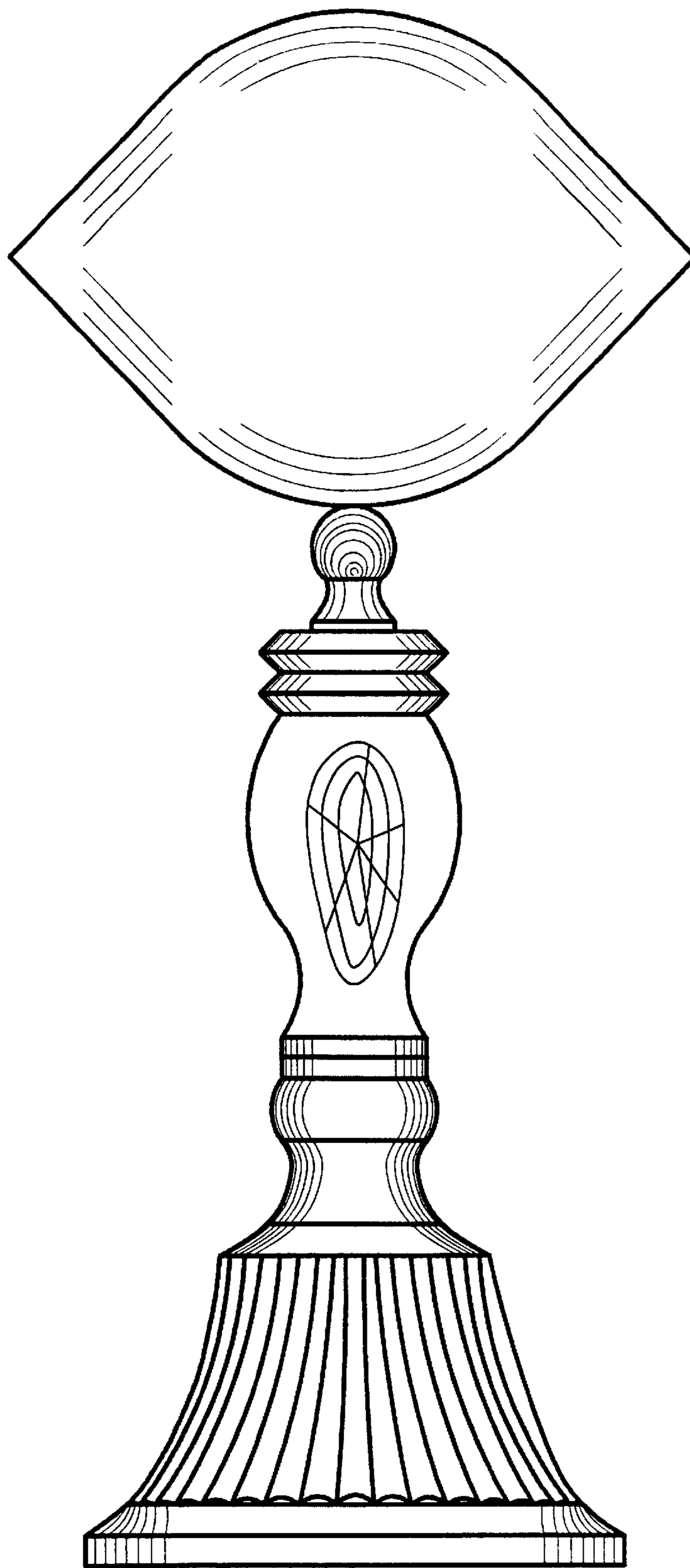


FIG. 2

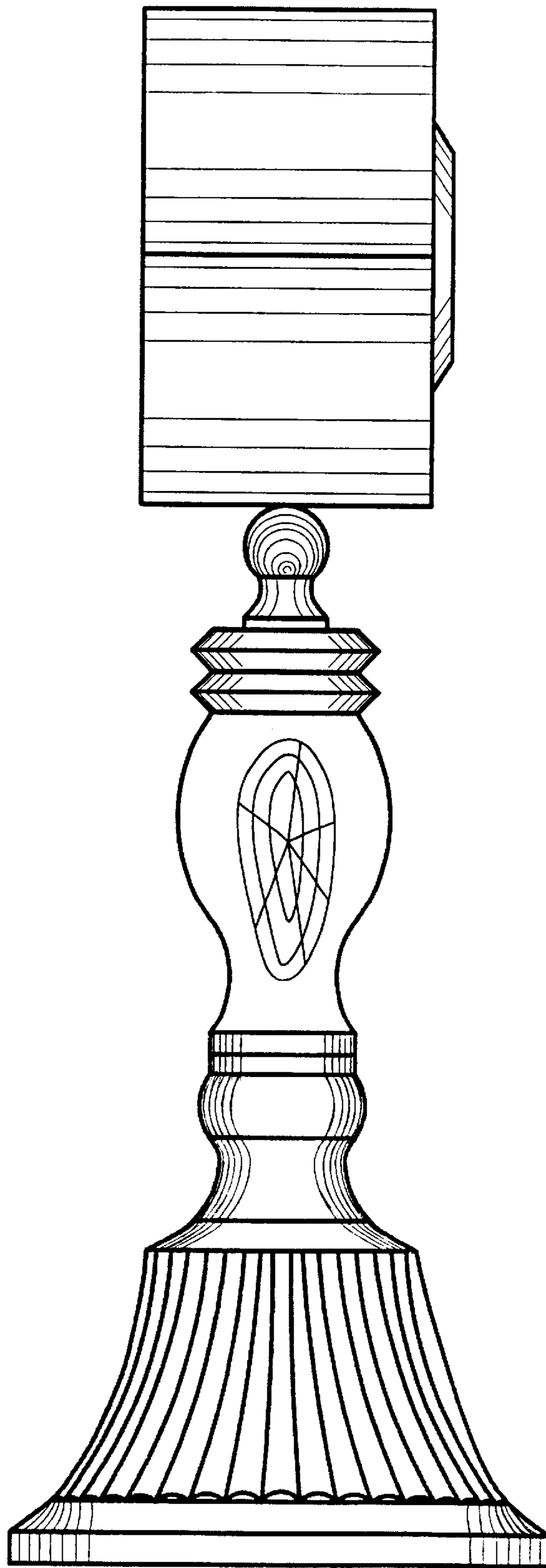


FIG. 3

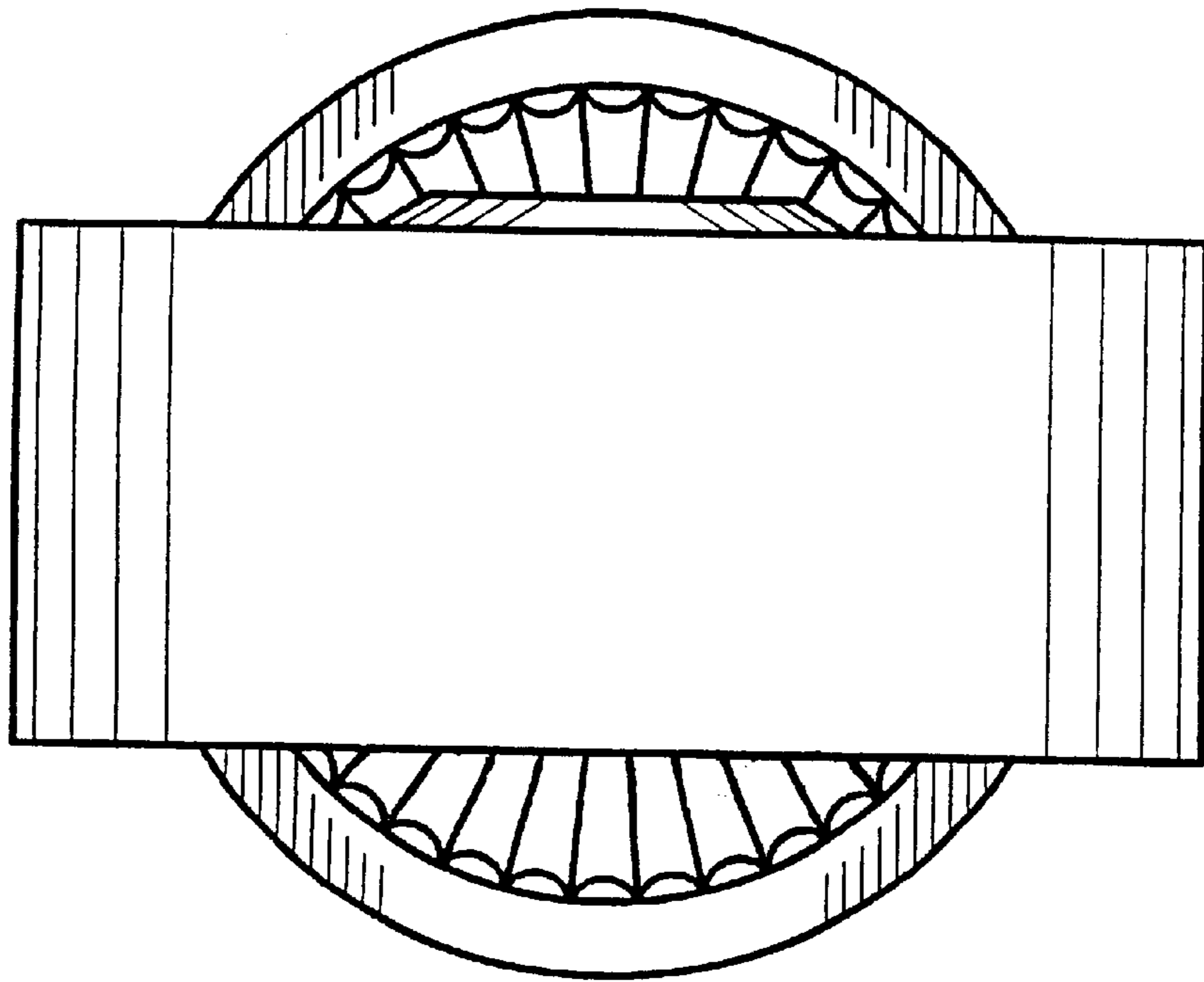


FIG. 4

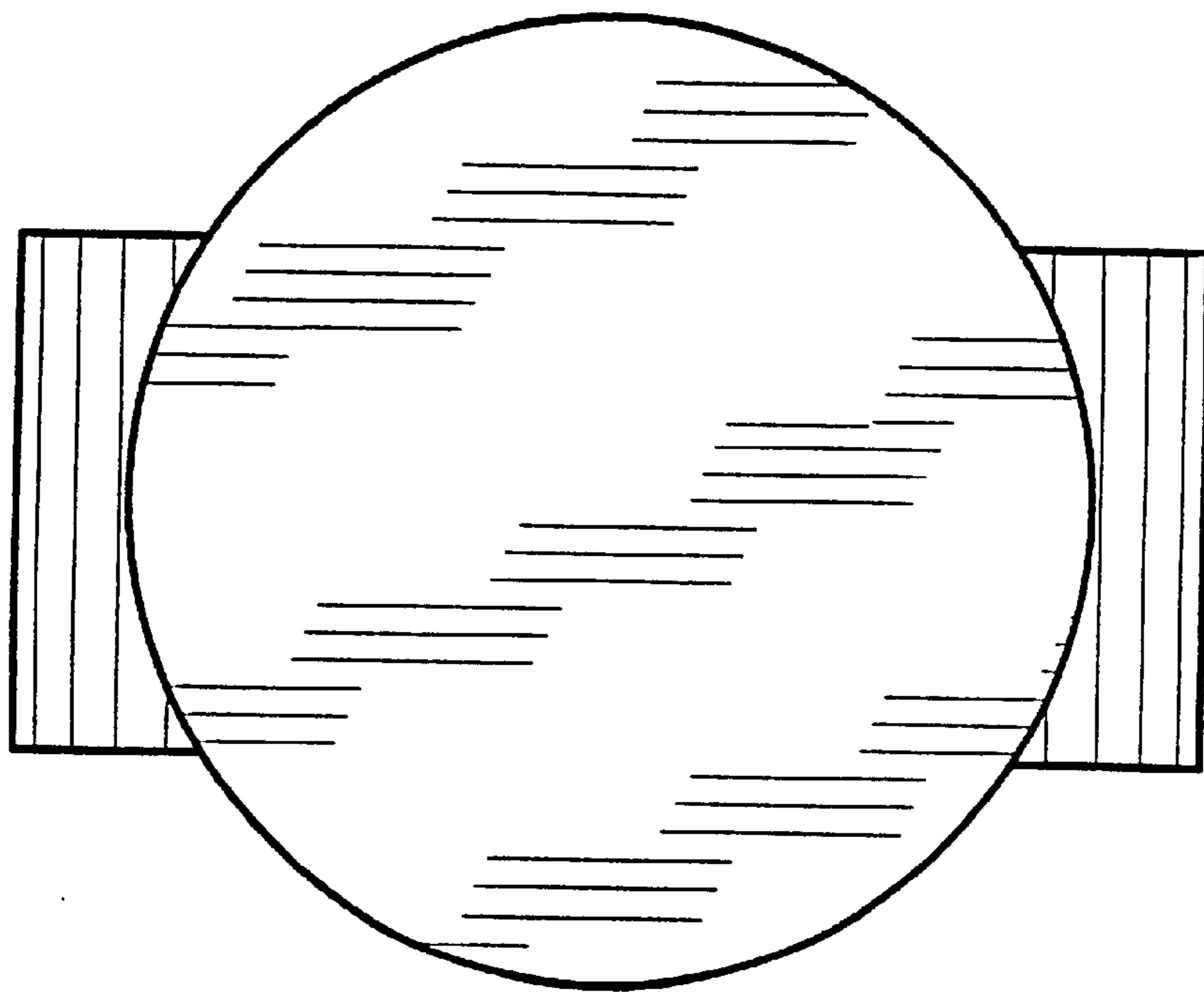


FIG. 5