



US00D446458B1

(12) **United States Design Patent**  
**Gans**

(10) **Patent No.:** **US D446,458 S**

(45) **Date of Patent:** **\*\* Aug. 14, 2001**

(54) **CONTAINER**

(75) Inventor: **Henry G. Gans**, Appleton, WI (US)

(73) Assignee: **Pechiney Emballage Flexible Europe**  
(FR)

(\*\*) Term: **14 Years**

(21) Appl. No.: **29/120,973**

(22) Filed: **Mar. 29, 2000**

(51) **LOC (7) Cl.** ..... **09-01**

(52) **U.S. Cl.** ..... **D9/538; D9/574**

(58) **Field of Search** ..... D9/500, 502, 503,  
D9/506, 516, 546, 549, 551, 556, 557,  
558, 569, 570, 574, 575; 215/381-384,  
6, 10

(56) **References Cited**

**U.S. PATENT DOCUMENTS**

D. 228,626	*	10/1973	Knies	.....	D9/347
D. 288,906	*	3/1987	Strand	.....	D9/558
D. 314,142	*	1/1991	Briggs	.....	D9/550
D. 321,830	*	11/1991	York et al.	.....	D9/434
D. 345,693	*	4/1994	Edstrom	.....	D9/538
D. 366,416	*	1/1996	Semersky	.....	D9/434
D. 402,563	*	12/1998	Prevot et al.	.....	D9/538
D. 426,164	*	6/2000	Gans et al.	.....	D9/541
D. 428,814	*	8/2000	Silvers et al.	.....	D9/502
D. 429,647	*	8/2000	Warner et al.	.....	D9/538
D. 435,455	*	12/2000	Gans	.....	D9/541
5,092,475	*	3/1992	Krishnakumar et al.	.....	215/381
5,704,503	*	1/1998	Krishnakumar et al.	.....	215/381
6,016,932	*	1/2000	Gaydosh et al.	.....	215/382

\* cited by examiner

*Primary Examiner*—Ted Shooman

*Assistant Examiner*—Carol Rademaker

(74) *Attorney, Agent, or Firm*—McDermott, Will & Emery

(57) **CLAIM**

The ornamental design for a container, as shown and described.

**DESCRIPTION**

FIG. 1 is a perspective view of the design of the present invention;

FIG. 2 is a front elevational view of the design depicted in FIG. 1, shown at a reduced scale;

FIG. 3 is a rear elevational view of the design depicted in FIG. 1, shown at a reduced scale;

FIG. 4 is a left side elevational view of the design depicted in FIG. 1, shown at a reduced scale;

FIG. 5 is a right side elevational view of the design depicted in FIG. 1, shown at a reduced scale;

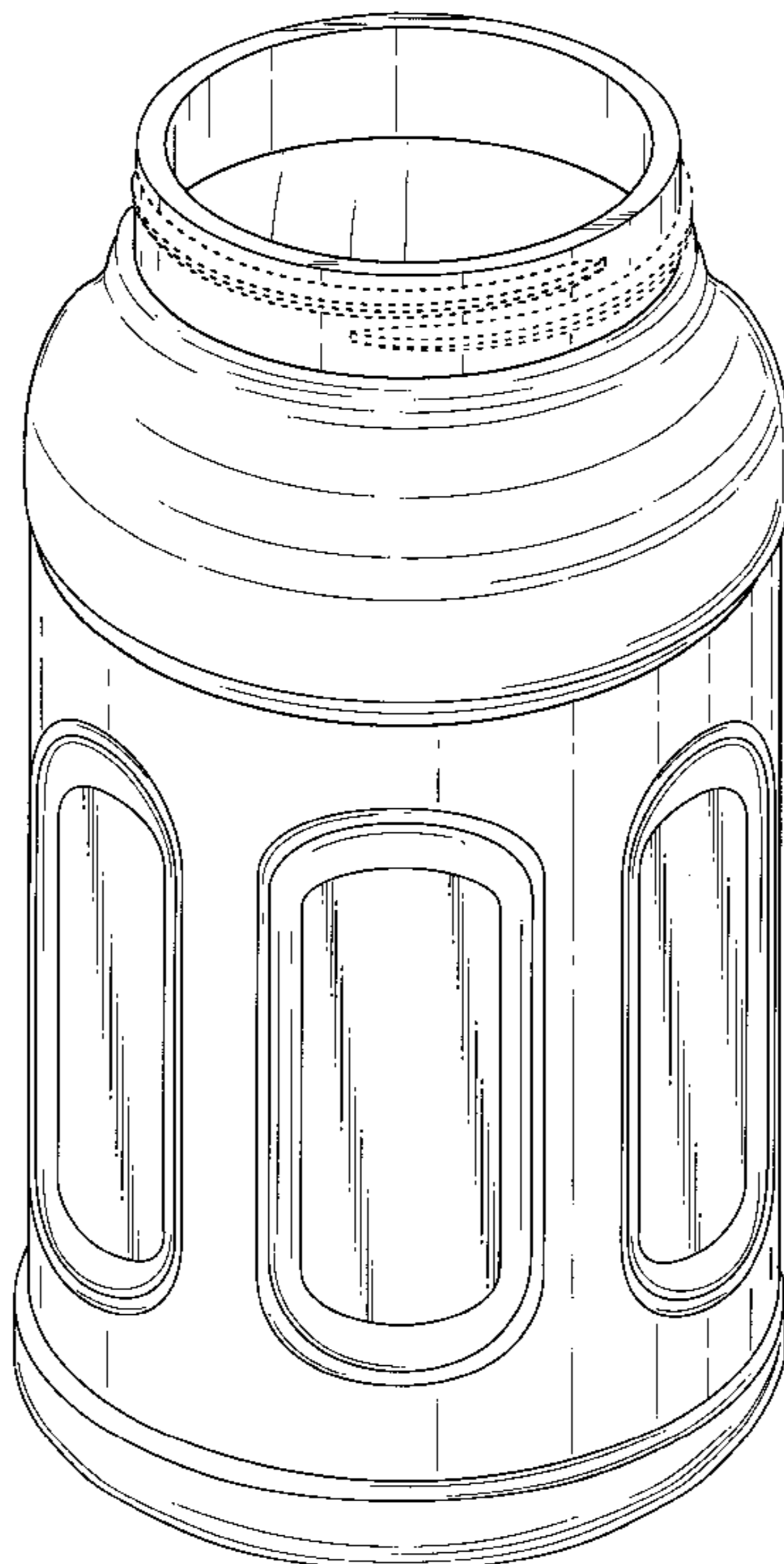
FIG. 6 is a top plan view of the design depicted in FIG. 1, shown at a reduced scale; and,

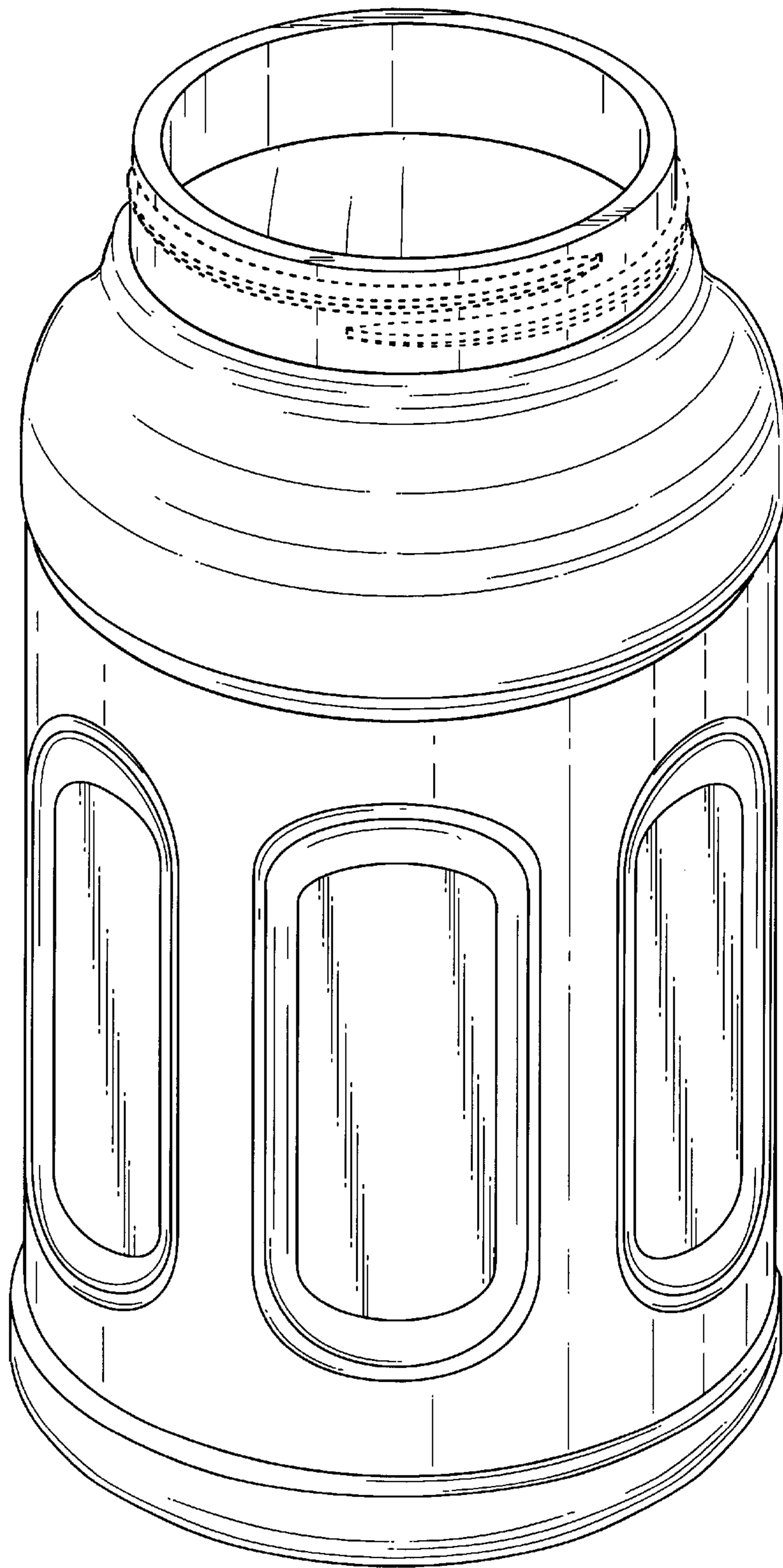
FIG. 7 is a bottom plan view of the design depicted in FIG. 1, shown at a reduced scale.

Moreover, the shading presented in FIGS. 1-7 is provided merely to highlight the surface contour of the invention and is not intended to be illustrative of texture or gloss. The claimed design of FIGS. 1-7 may be constructed of plastic.

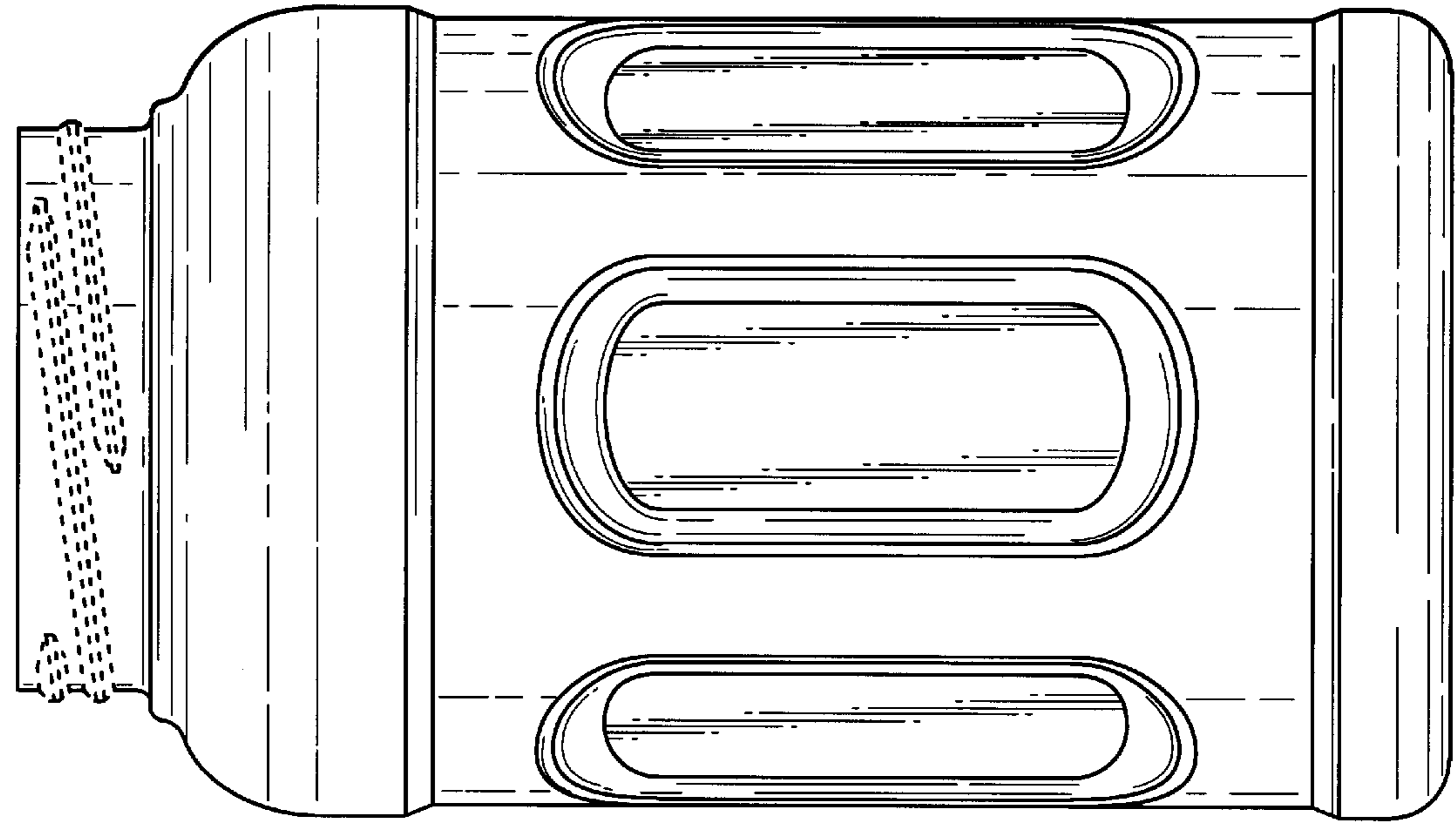
The phantom line showing of the threads in FIGS. 1-6 is for illustrative purposes only and forms no part of the claimed design.

**1 Claim, 4 Drawing Sheets**

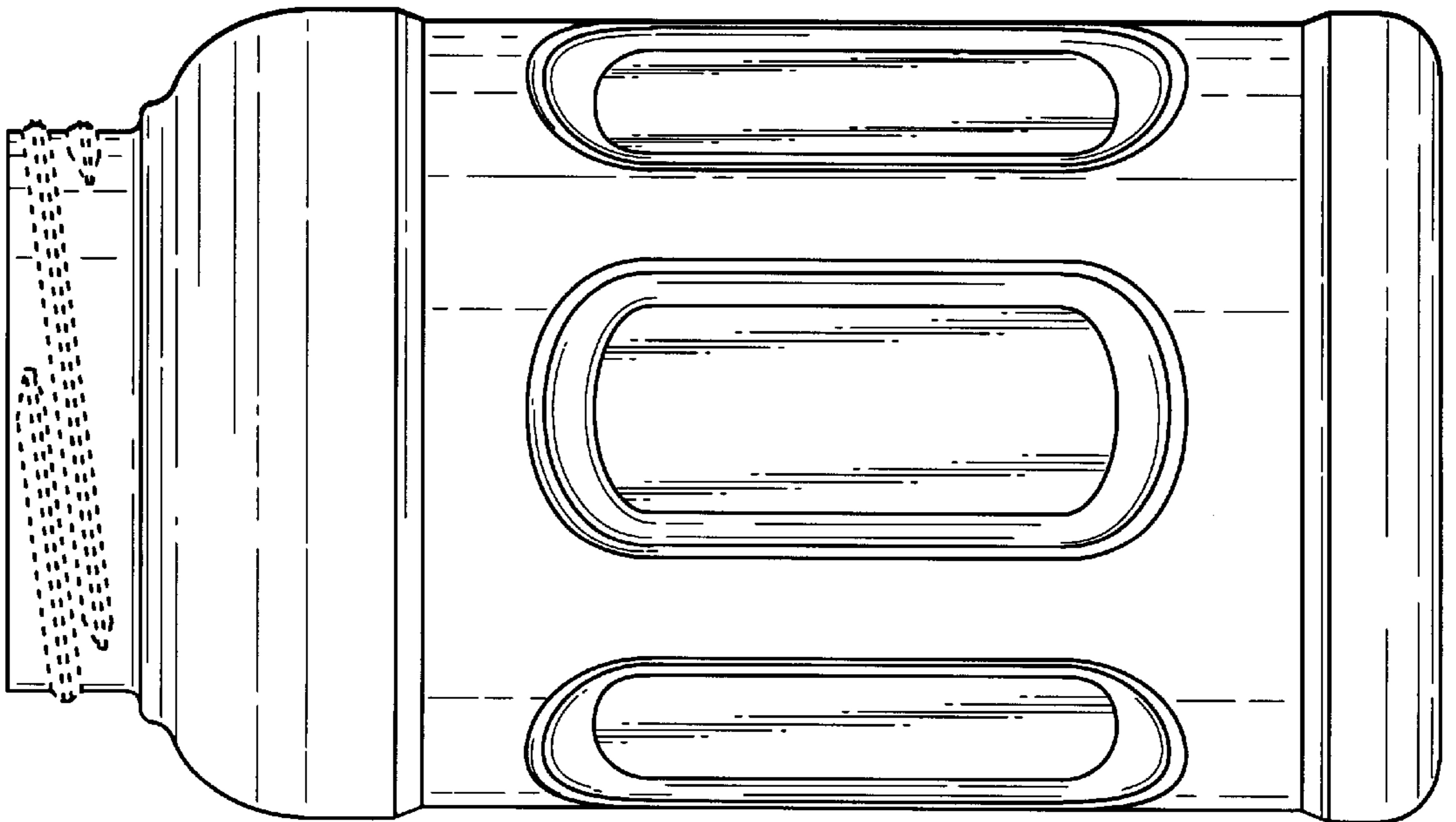




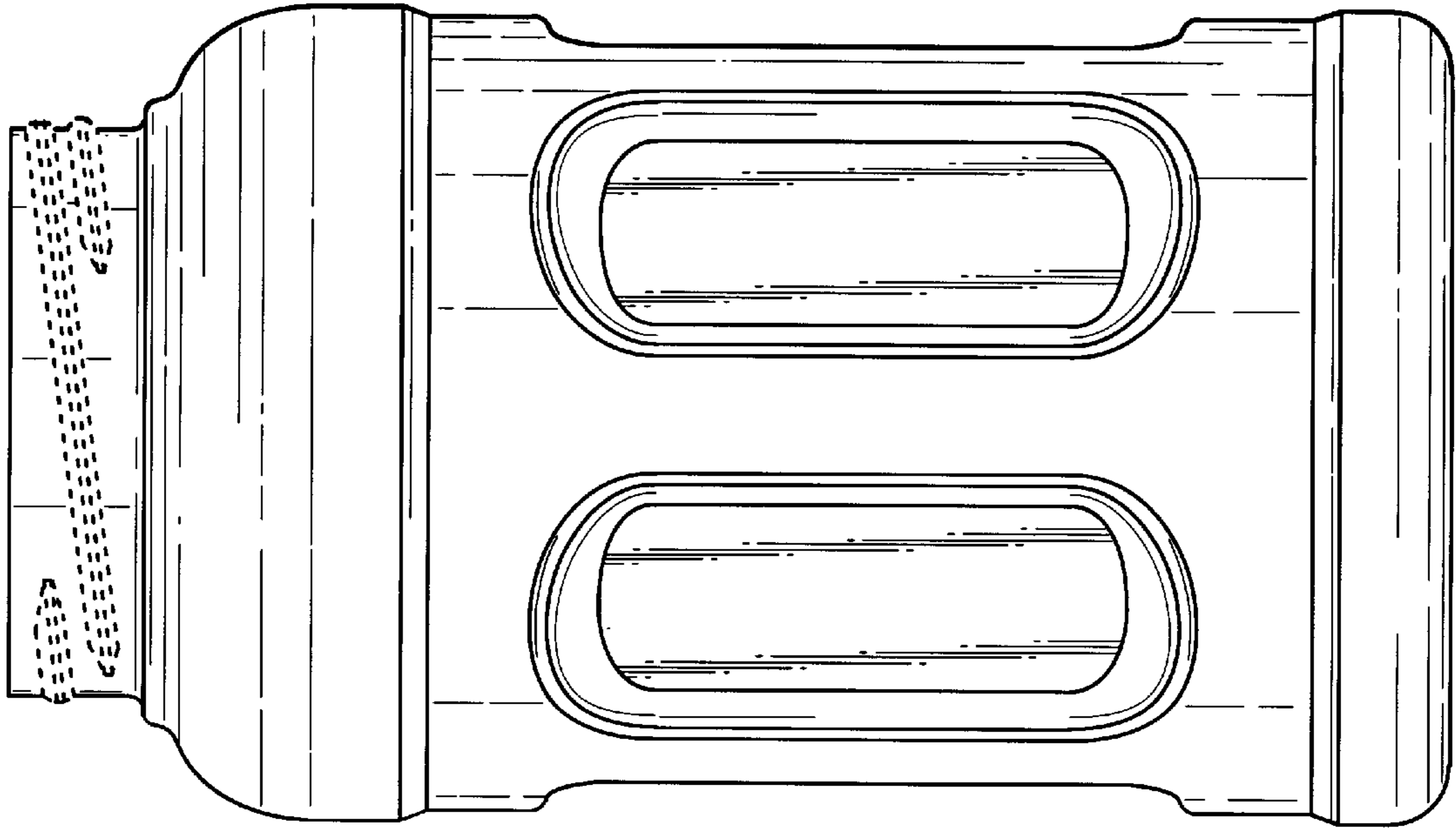
*Fig. 1*



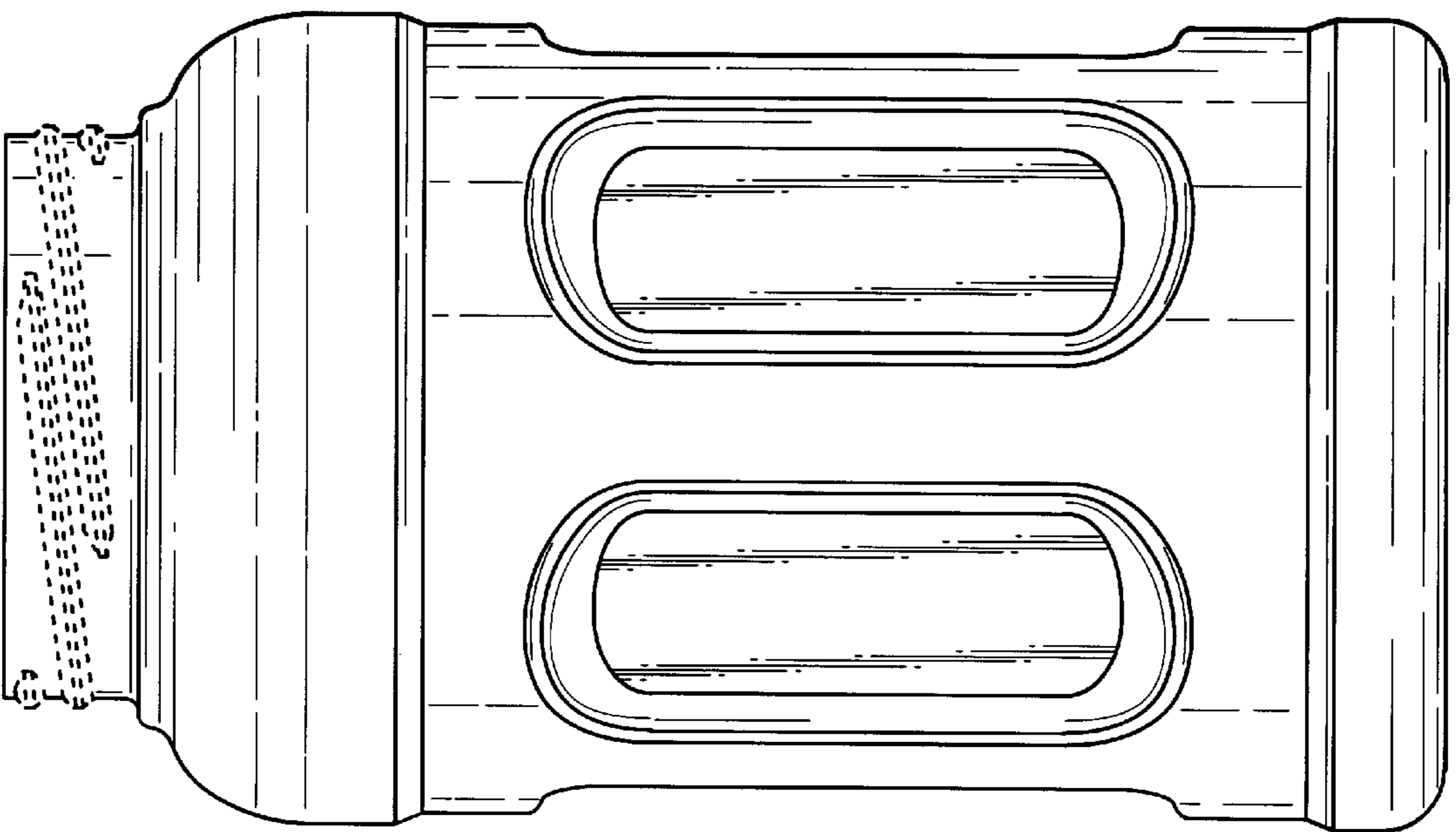
*Fig. 2*



*Fig. 3*

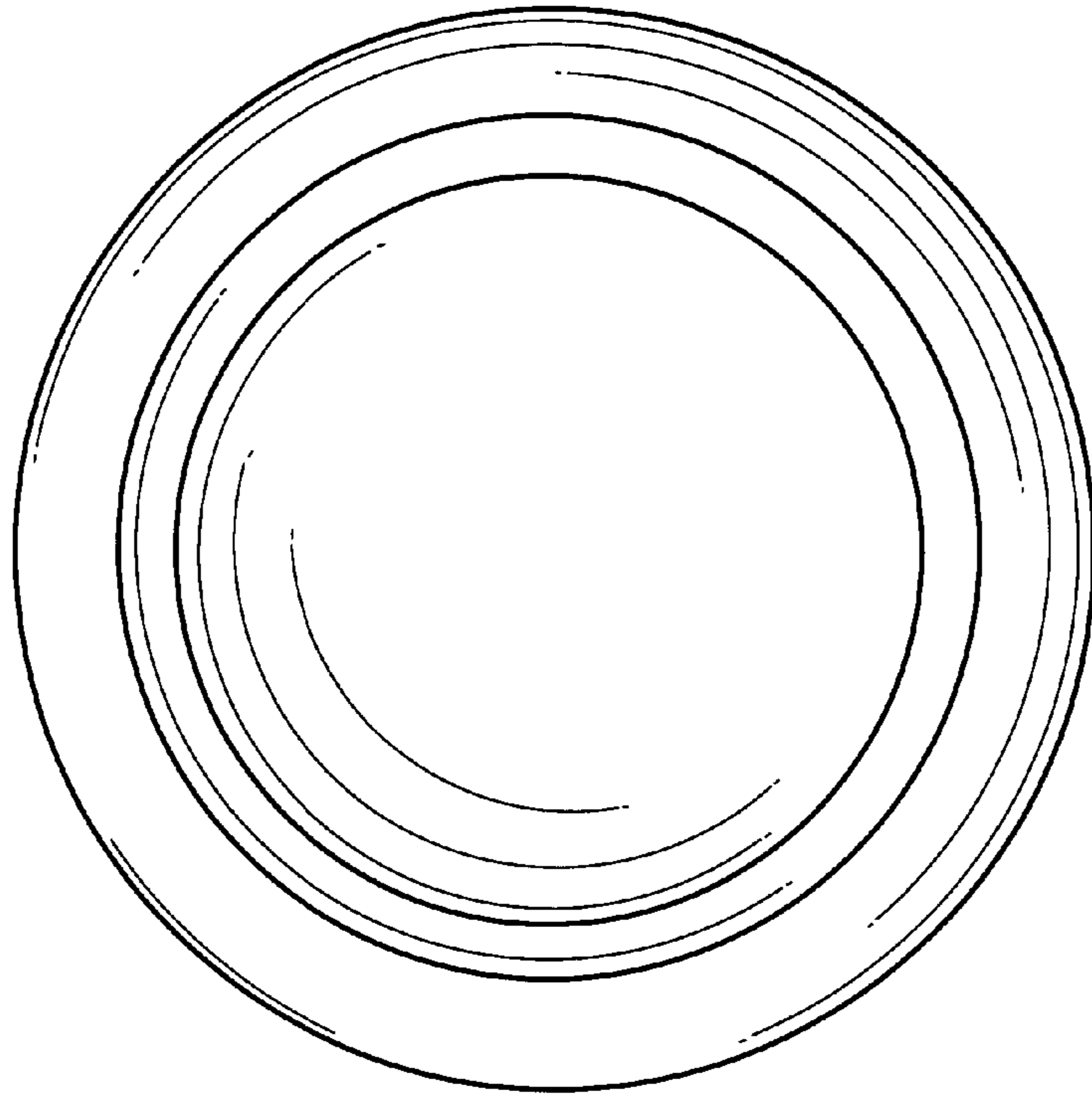


*Fig. 4*

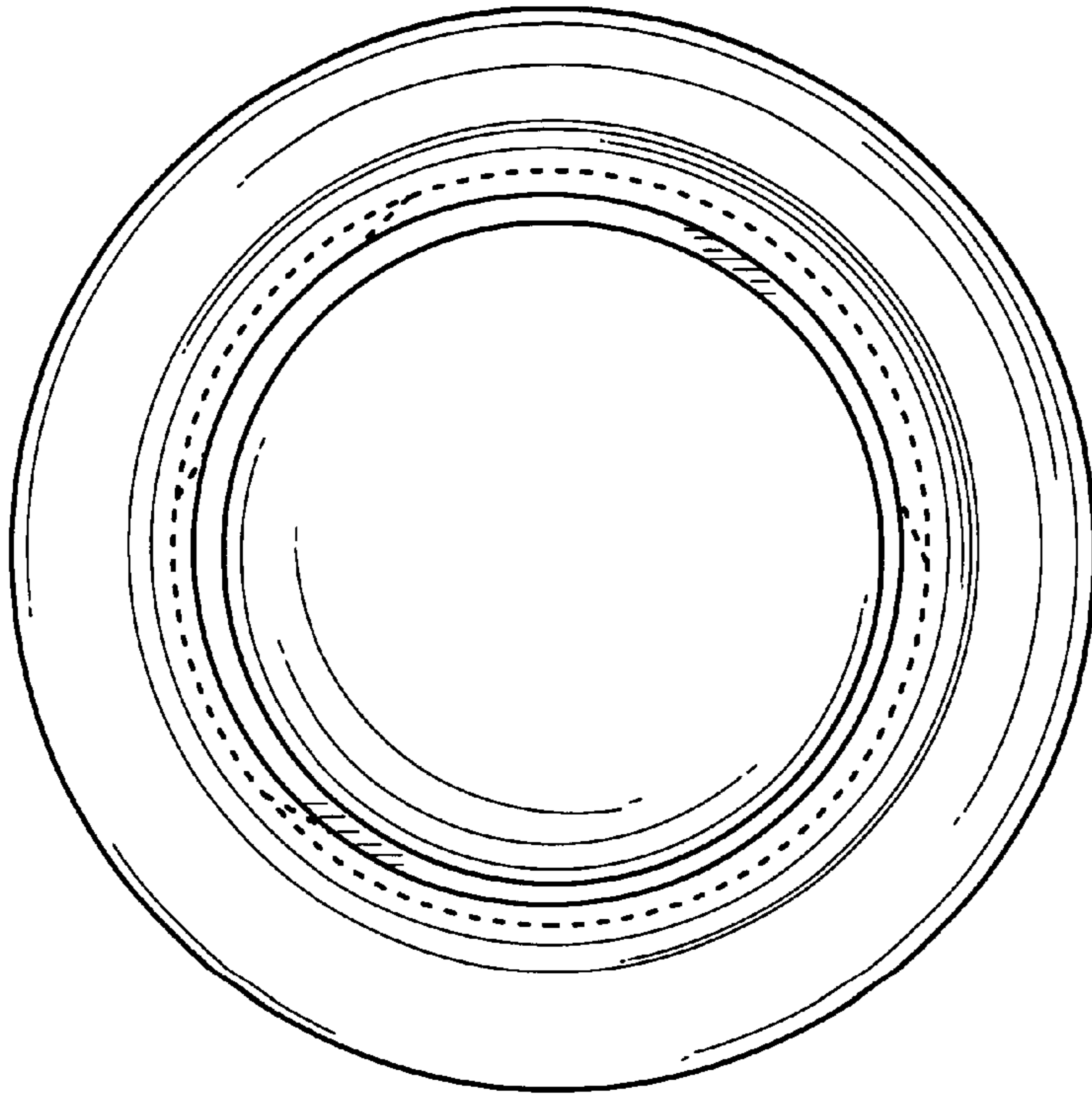


*Fig. 5*





*Fig. 7*



*Fig. 6*