



US00D446448B1

(12) **United States Design Patent**
Jernigan et al.

(10) **Patent No.:** **US D446,448 S**

(45) **Date of Patent:** **** Aug. 14, 2001**

(54) **VIEW-BOX CONTAINER**

(75) Inventors: **Royce Ann Jernigan**, 2349 Academy Ct., Atlanta, GA (US) 30345; **Tom St. Pierre**, Spencerport, NY (US)

(73) Assignee: **Royce Ann Jernigan**, Atlanta, GA (US)

(**) Term: **14 Years**

(21) Appl. No.: **29/125,474**

(22) Filed: **Jun. 22, 2000**

(51) **LOC (7) Cl.** **09-03**

(52) **U.S. Cl.** **D9/418**

(58) **Field of Search** D9/414, 415, 418, D9/432, 346; D3/201, 905; 206/427, 429, 775-778, 806; 229/162, 117.09, 213, 117.12, 117.23, 902, 915.1

(56) **References Cited**

U.S. PATENT DOCUMENTS

D. 265,723	*	8/1982	Rosenthal	D9/418
D. 266,226	*	9/1982	Zdarsky et al.	D9/418
D. 267,475	*	1/1983	Maroszek et al.	D9/418
D. 317,718	*	6/1991	Carol	D9/418
2,663,413	*	12/1953	Foster	206/775
2,781,898	*	2/1957	Desmond et al.	206/775
3,438,481	*	4/1969	Durand	206/429

5,358,101	*	10/1994	Lombardi	206/776
5,415,277	*	5/1995	Berntsen	206/429
5,934,551	*	8/1999	Kaufman	206/776

OTHER PUBLICATIONS

Photos of Kentucky Fried Chicken box. (undated).

* cited by examiner

Primary Examiner—Prabhakar Deshmukh

(74) *Attorney, Agent, or Firm*—Baker, Donelson, Bearman & Caldwell

(57) **CLAIM**

The ornamental design for a view-box container, as shown and described.

DESCRIPTION

FIG. 1 is a perspective view of a view-box container according to our new design;
FIG. 2 is a front elevational view thereof;
FIG. 3 is a back elevational view thereof;
FIG. 4 is a top plan view thereof;
FIG. 5 is a bottom plan view thereof; and,
FIG. 6 is a right side elevational view thereof, the left side being a mirror image.

The bottles shown in broken lines in FIG. 1 are for illustrative purposes only and form no part of the claimed design.

1 Claim, 3 Drawing Sheets

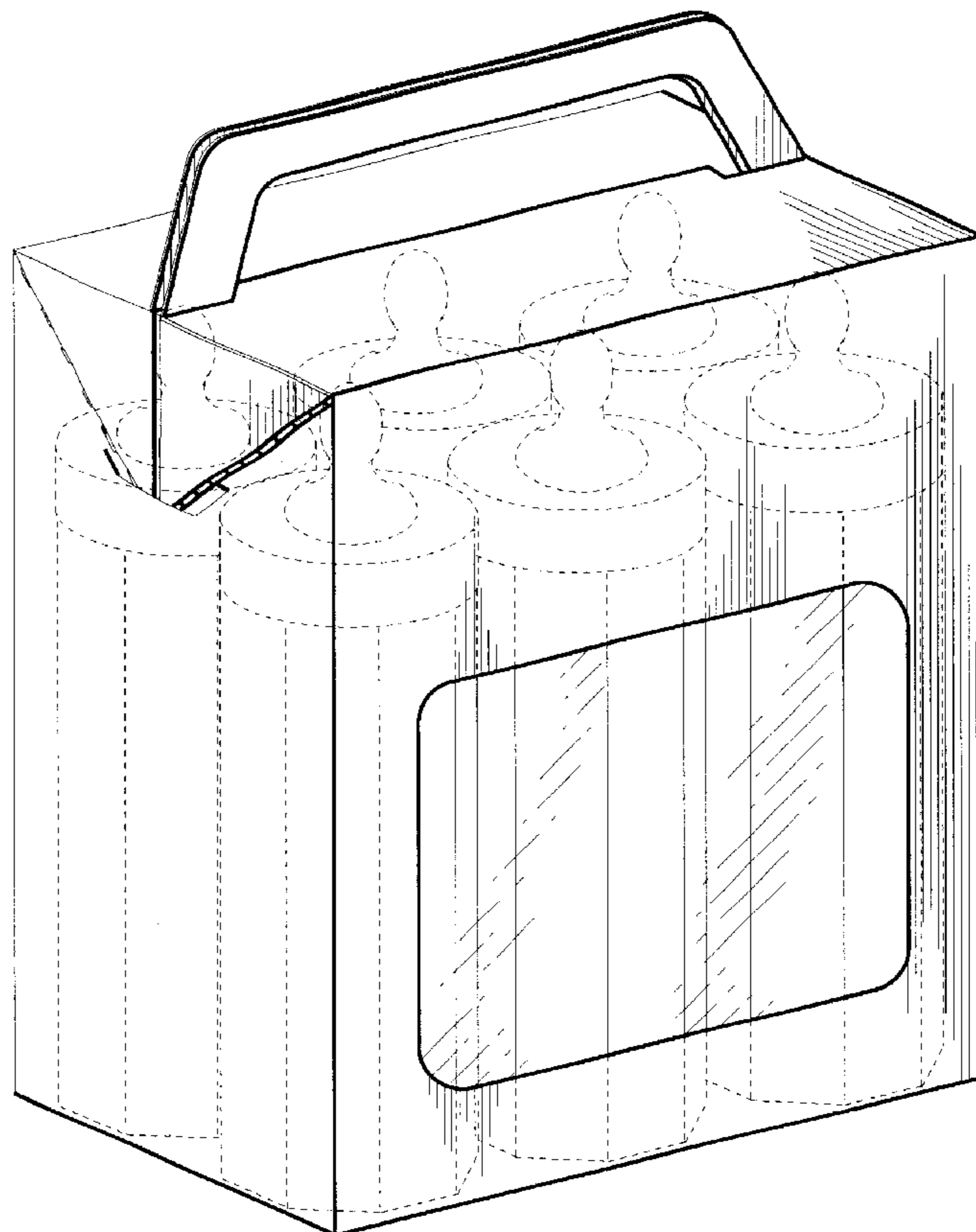


Fig. 1

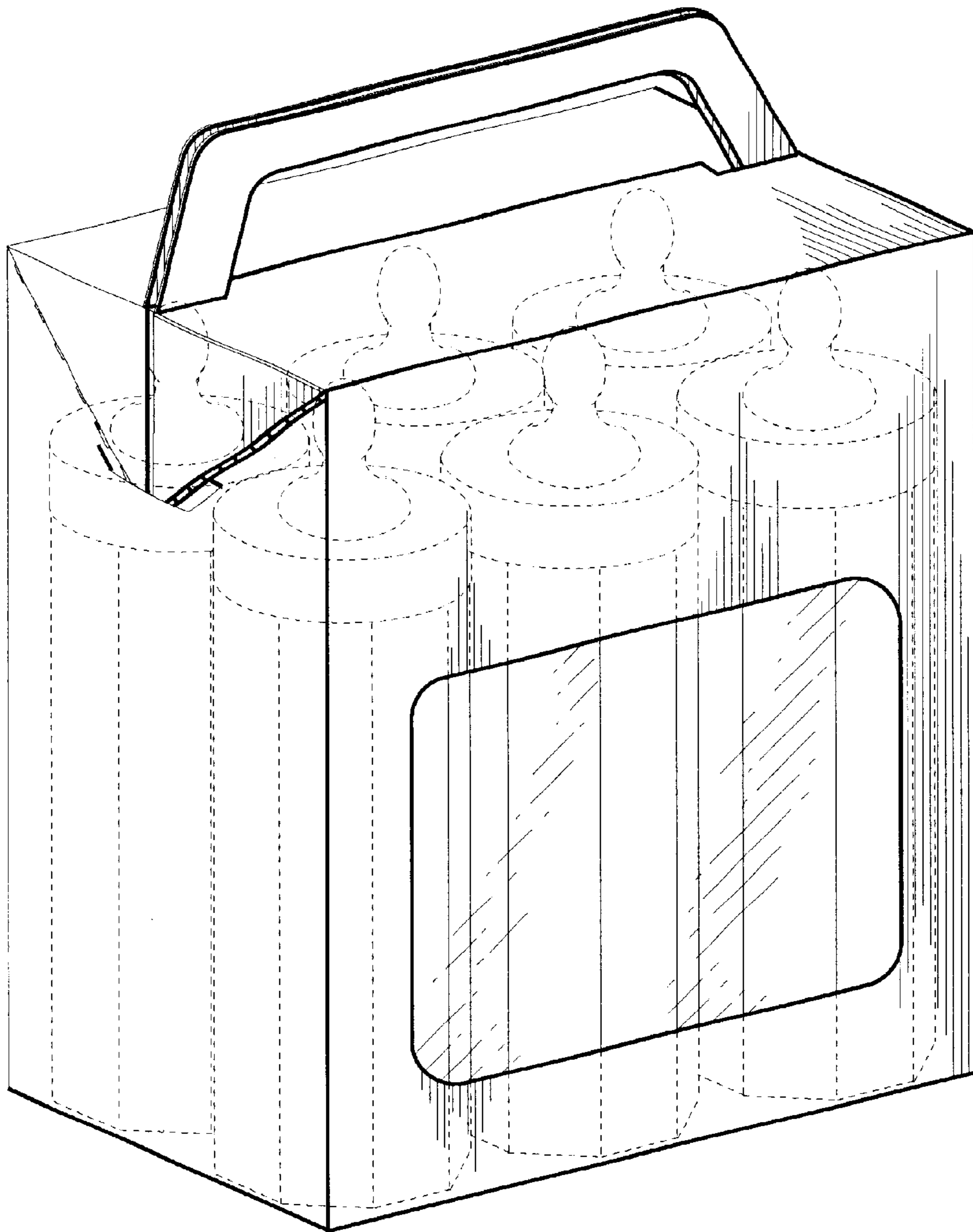


Fig. 2

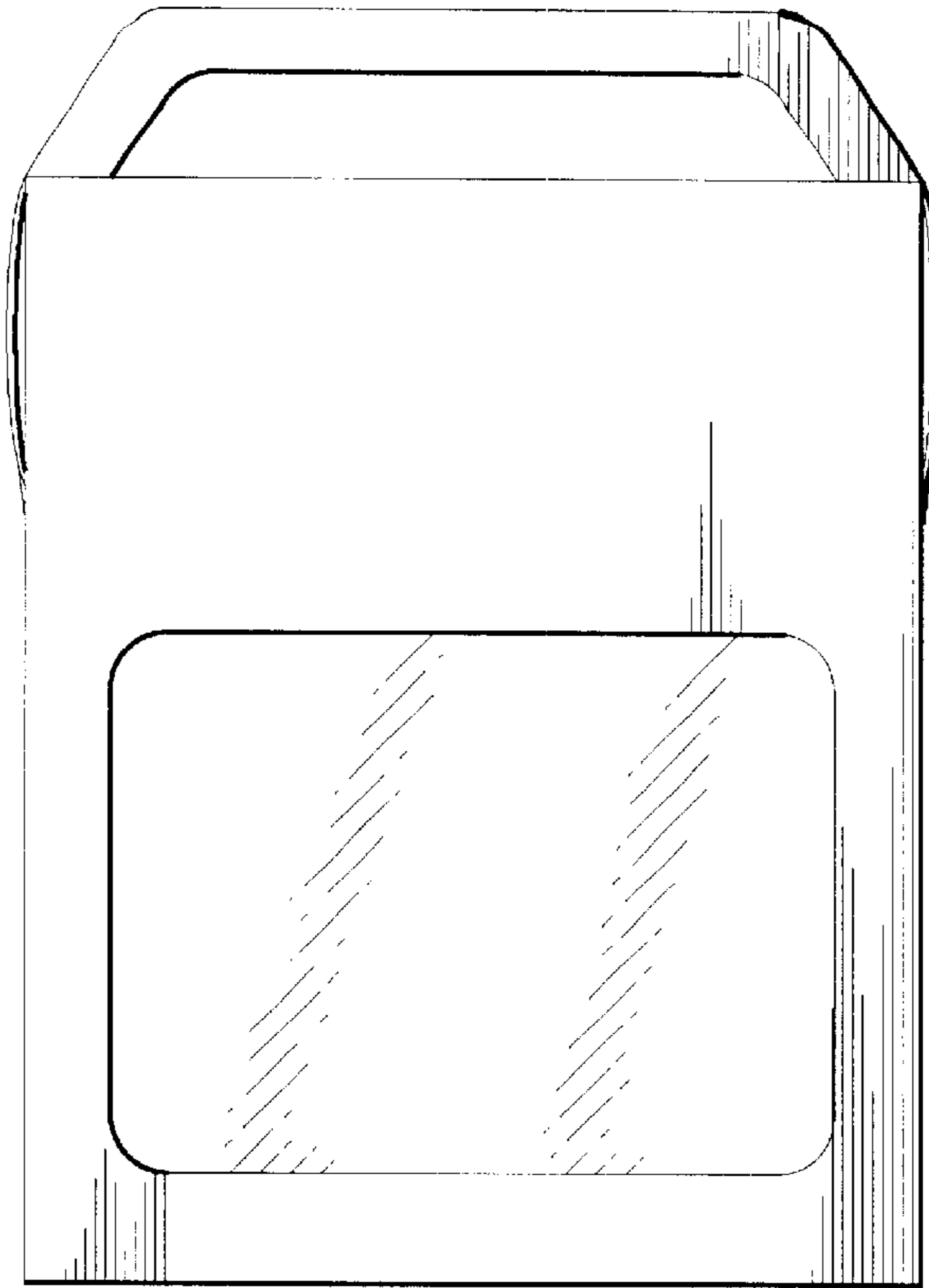


Fig. 3

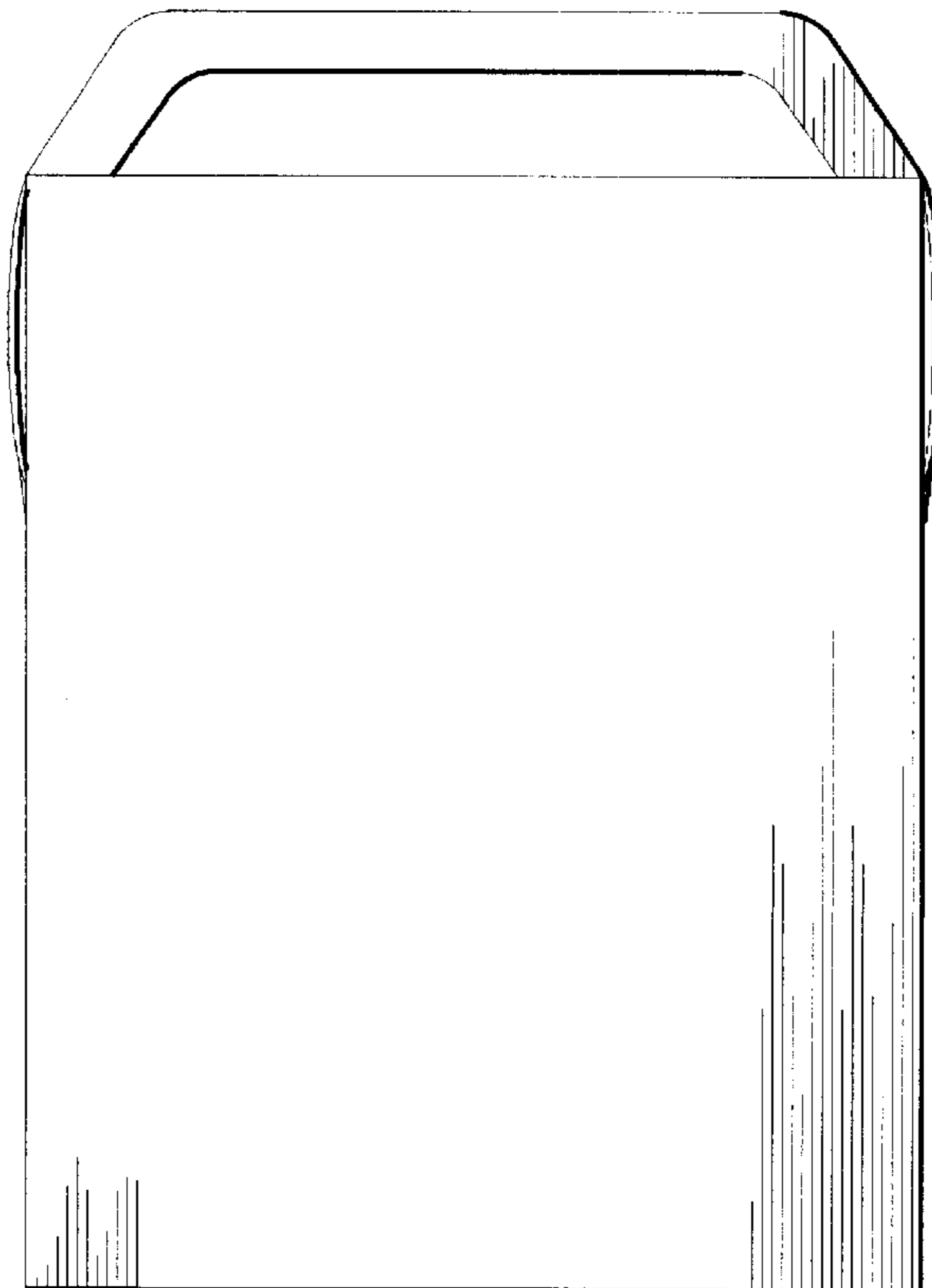


Fig. 4

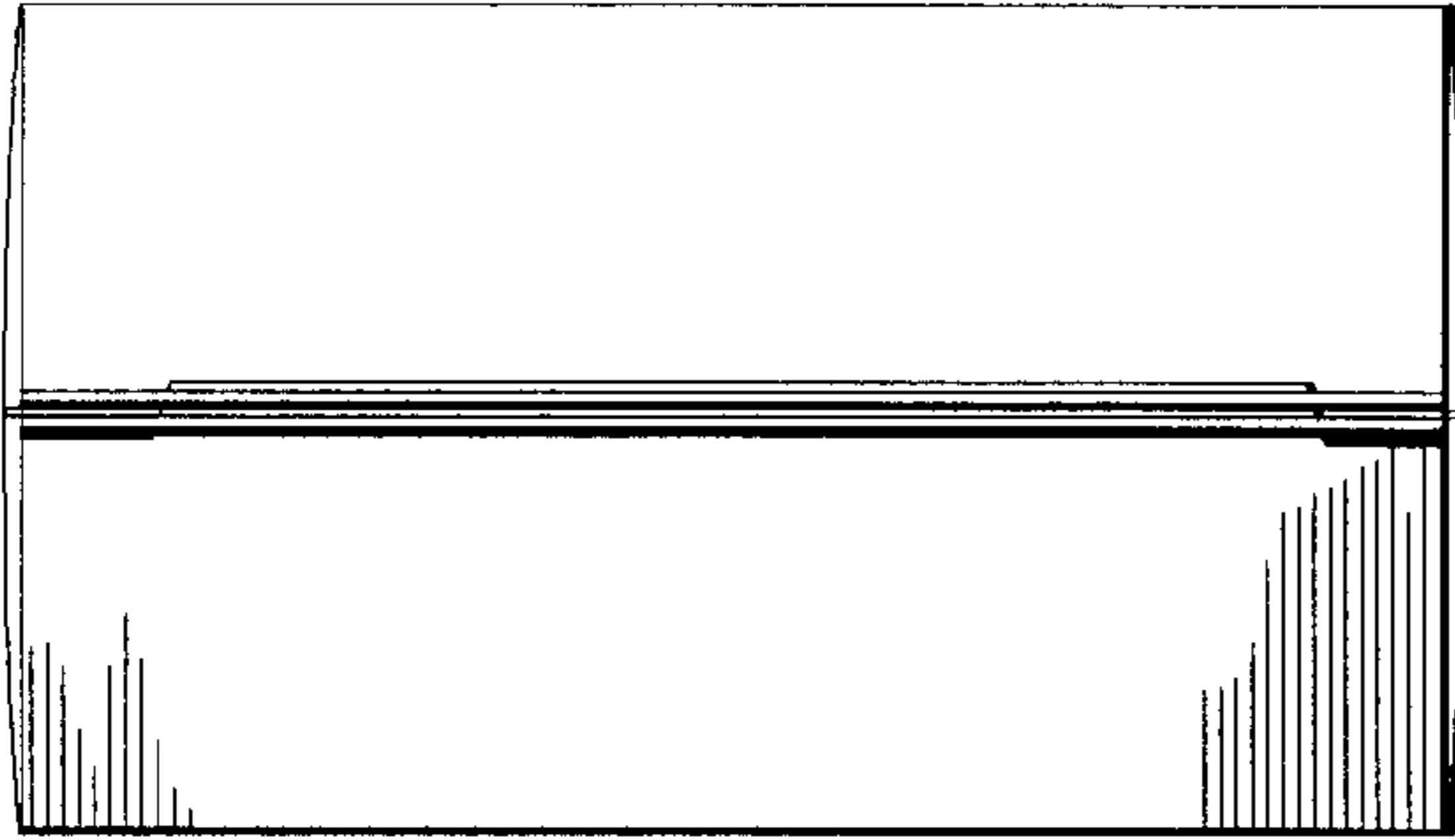


Fig. 5

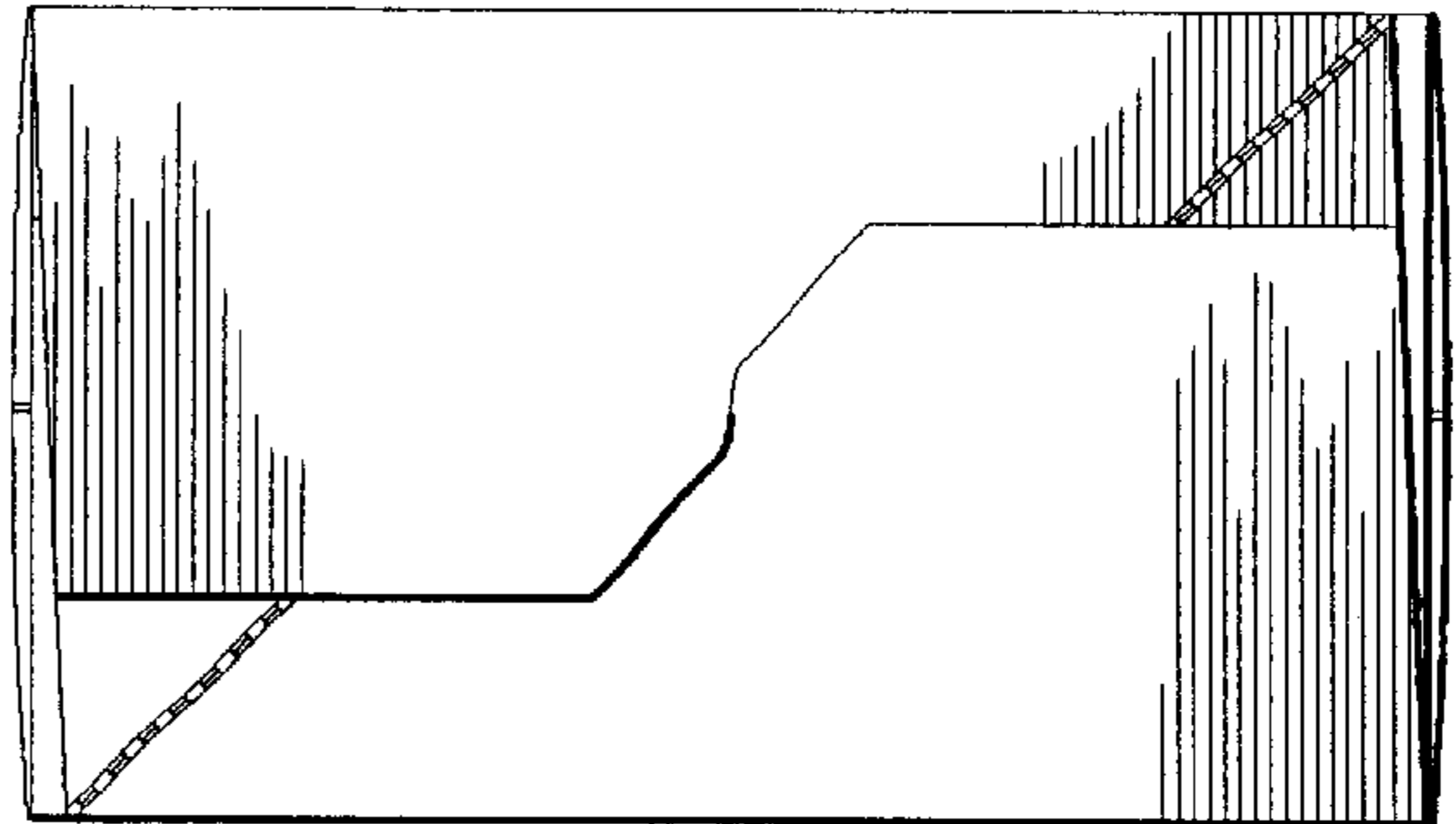


Fig. 6

