



US00D446446B1

(12) **United States Design Patent**
Bretz et al.

(10) **Patent No.:** **US D446,446 S**

(45) **Date of Patent:** **** Aug. 14, 2001**

(54) **BOTTLE PORTION**

5,763,331 * 1/1993 Tobias et al. 215/381

(75) Inventors: **John Bretz**, Crystal Lake, IL (US);
David P. Piccioli, Auburn, NH (US);
Suppayan M. Krishnakumar, Nashua,
NH (US); **Wayne N. Collette**,
Merrimack, NH (US)

* cited by examiner

Primary Examiner—Terry A. Wallace
(74) *Attorney, Agent, or Firm*—Lars S. Johnson

(73) Assignee: **Stokely-Van Camp, Inc.**, Chicago, IL
(US)

(57) **CLAIM**

The ornamental design for a bottle portion, as shown and described.

(**) Term: **14 Years**

DESCRIPTION

(21) Appl. No.: **29/136,029**

FIG. 1 is a perspective view of a bottle portion showing a new design;

(22) Filed: **Jan. 18, 2001**

FIG. 2 is a front elevational view of the bottle portion depicted in FIG. 1, the opposite rear elevational view being identical; and

Related U.S. Application Data

(62) Division of application No. 29/102,535, filed on Mar. 26, 1999.

FIG. 3 is a side view of the bottle portion depicted in FIG. 2, representing a partial rotation of the bottle portion about its vertical center axis from the front elevational view depicted in FIG. 2, the opposite side elevational view being identical; and,

(51) **LOC (7) Cl.** **09-01**

(52) **U.S. Cl.** **D9/307**

(58) **Field of Search** D9/307, 553, 538-540;
215/381, 384, 400; 220/606

FIG. 4 is a fragmentary cross-section view taken along line 4-4 of FIG. 2.

(56) **References Cited**

The broken line environmental showing is for illustrative purposes only and does not form part of the claimed design.

U.S. PATENT DOCUMENTS

5,199,588 * 4/1993 Hayashi 215/381

1 Claim, 2 Drawing Sheets

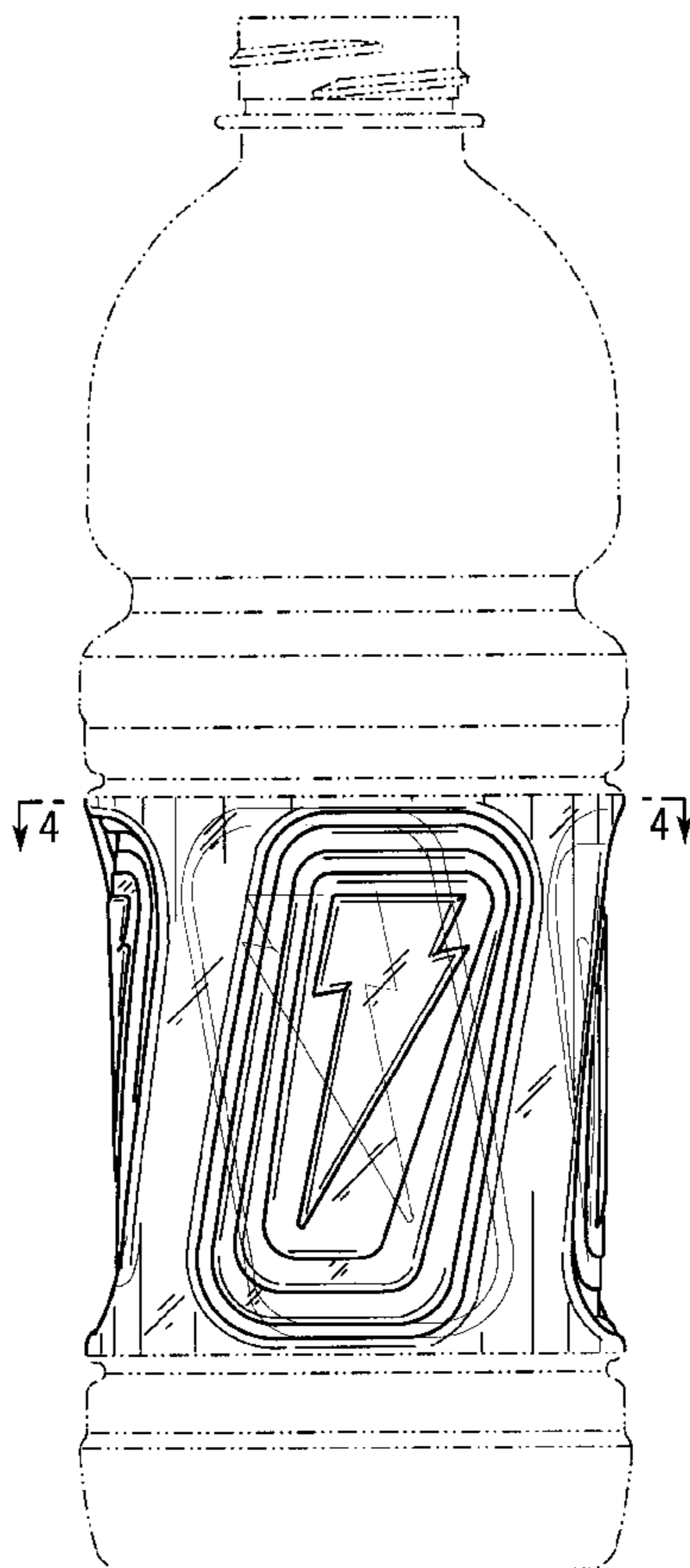


FIG. 1

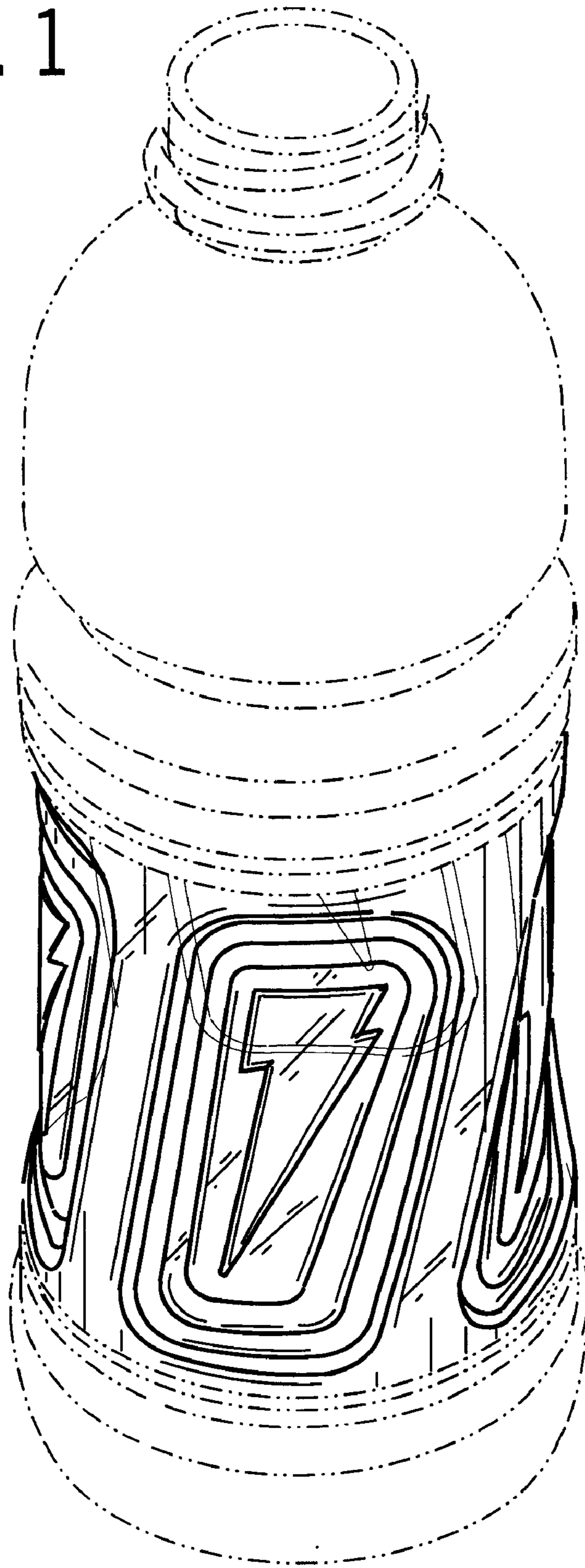


FIG. 2

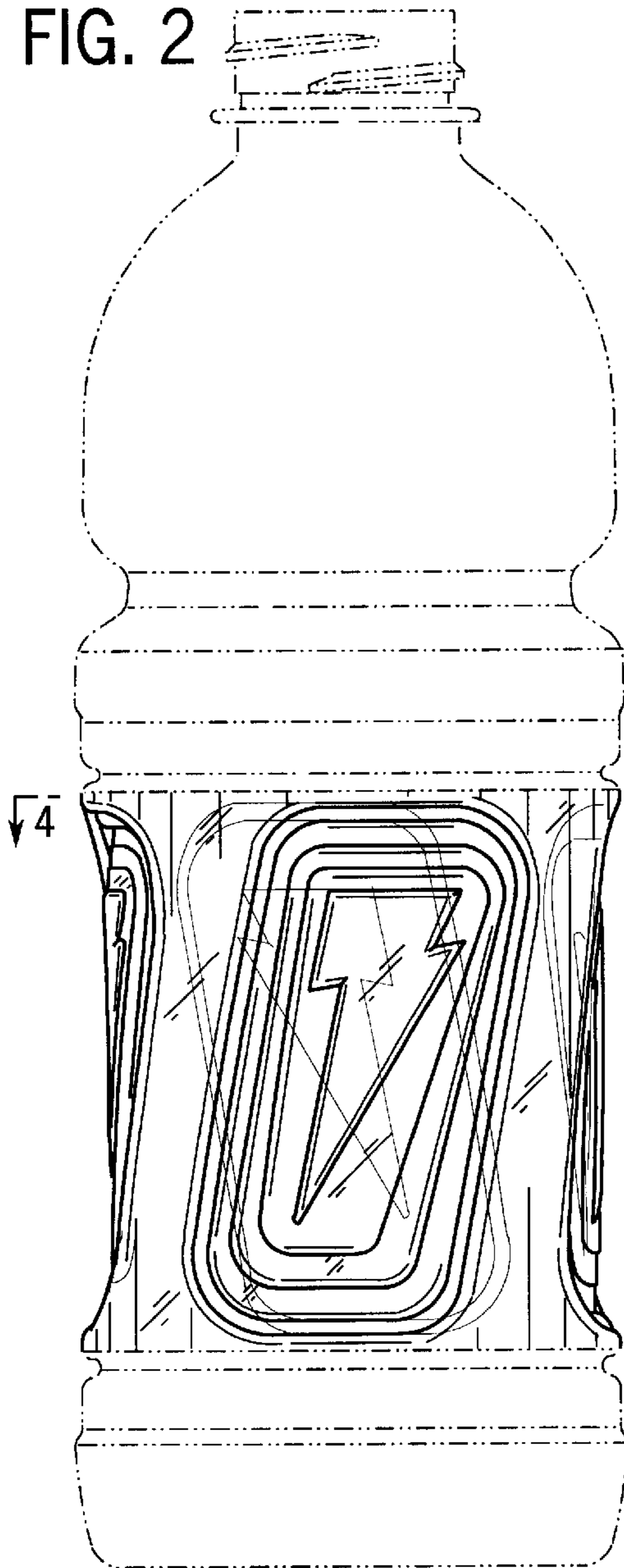


FIG. 3

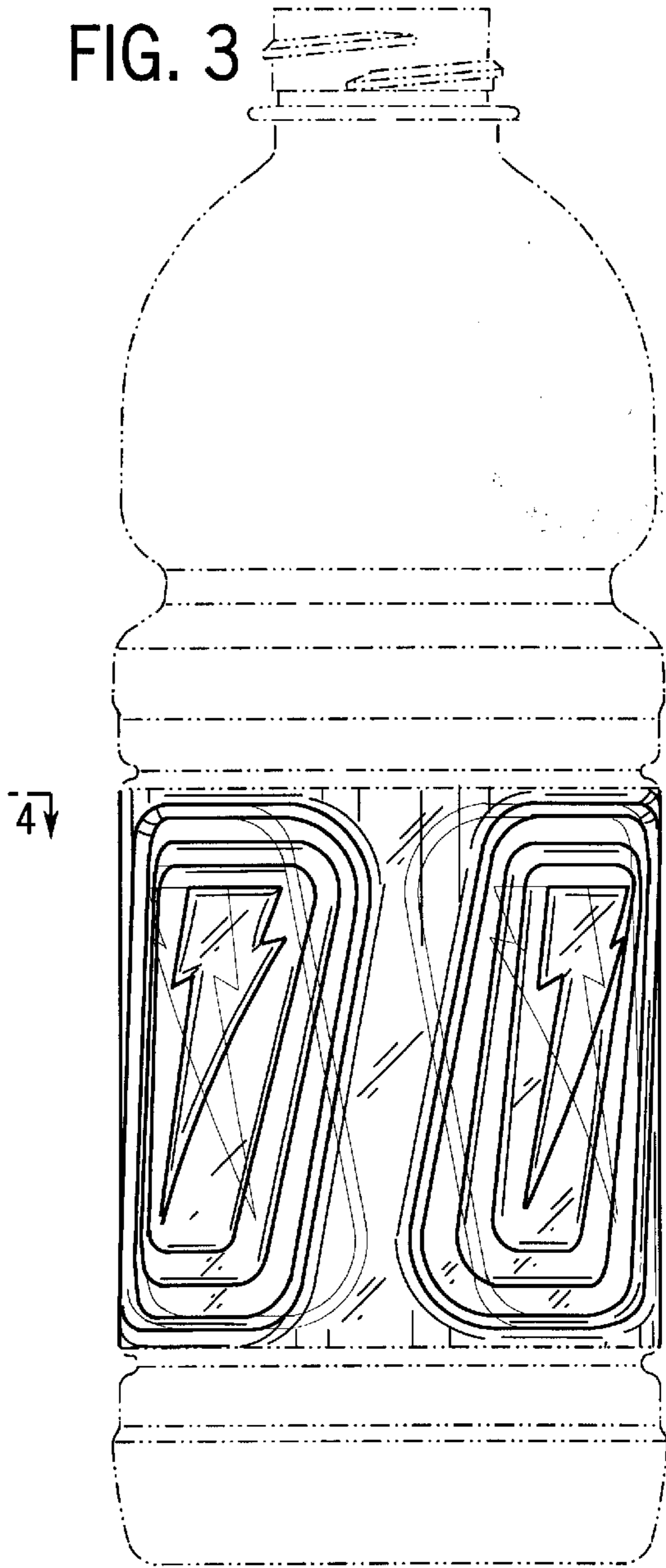


FIG. 4

