



US00D446442B1

(12) **United States Design Patent**
Simpson

(10) **Patent No.:** **US D446,442 S**

(45) **Date of Patent:** **** Aug. 14, 2001**

(54) **TIE DOWN LOCKING PIN**

(75) Inventor: **Patrick F. Simpson**, Bloomfield, IN
(US)

(73) Assignee: **The Bloomfield Manufacturing Co.,**
Inc., Bloomfield, IN (US)

(**) Term: **14 Years**

(21) Appl. No.: **29/107,738**

(22) Filed: **Jul. 9, 1999**

(51) **LOC (7) Cl.** **08-05**

(52) **U.S. Cl.** **D8/354**

(58) **Field of Search** D8/354; 248/499;
24/265 CD

(56) **References Cited**

U.S. PATENT DOCUMENTS

D. 408,267 * 4/1999 Egigian et al. D8/354
4,570,987 * 2/1986 Wong et al. 248/499 X

4,592,686 * 6/1986 Andrews 248/499 X

4,630,982 * 12/1986 Fenner 24/265 CD

5,248,176 * 9/1993 Fredricksson 248/499 X

5,775,664 * 7/1998 Martin 248/499 X

* cited by examiner

Primary Examiner—Holly Baynham

(74) *Attorney, Agent, or Firm*—Woodard, Emhardt,
Naughton, Moriarity & McNett

(57) **CLAIM**

The ornamental design for a tie down locking pin, as shown
and described.

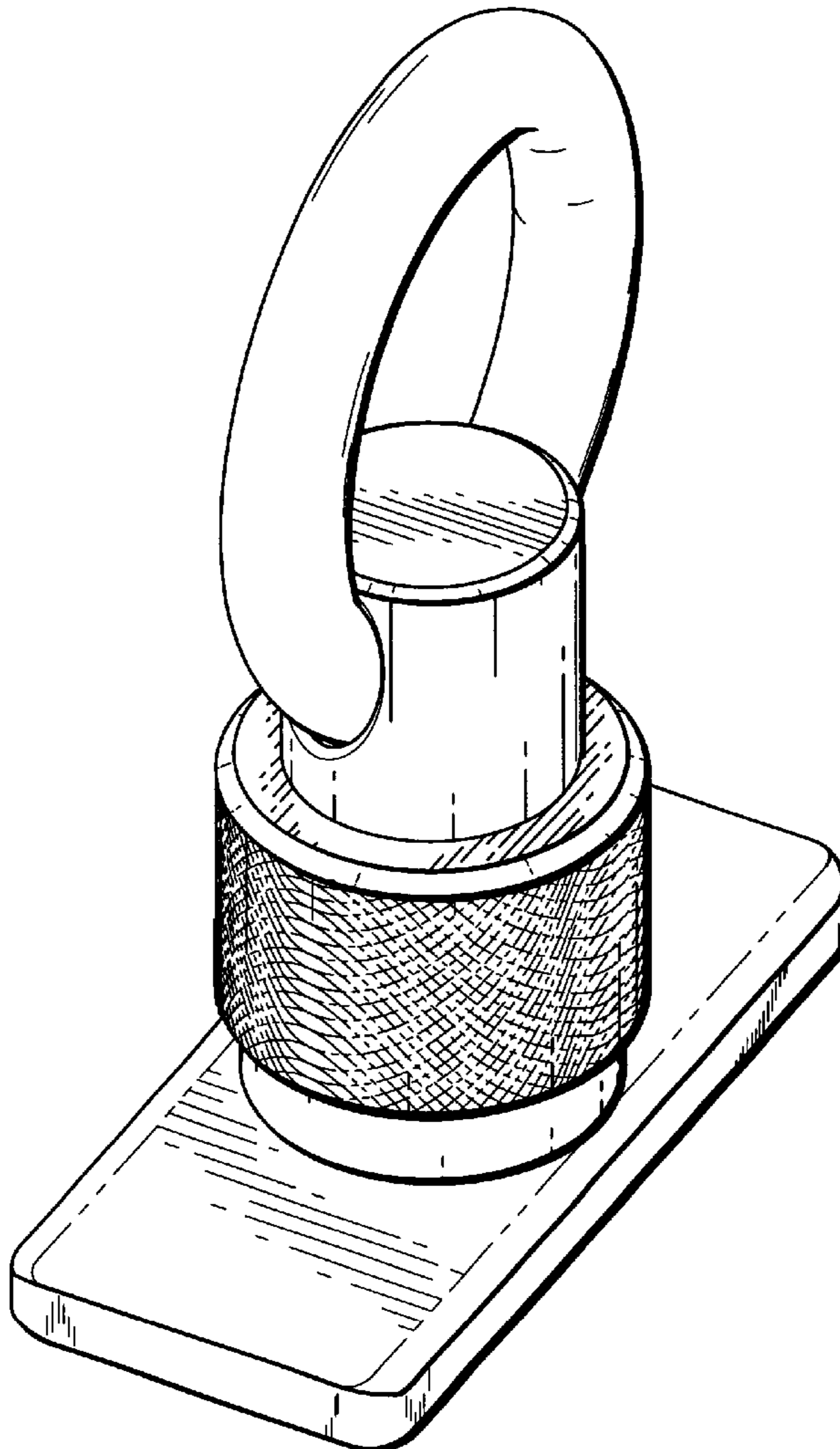
DESCRIPTION

FIG. 1 is a perspective view of the tie down locking pin.
FIG. 2 is a front elevation. The rear elevation is identical.
FIG. 3 is a right side elevation. The left side elevation is
identical.

FIG. 4 is a top plan view; and,

FIG. 5 is a bottom plan view.

1 Claim, 2 Drawing Sheets



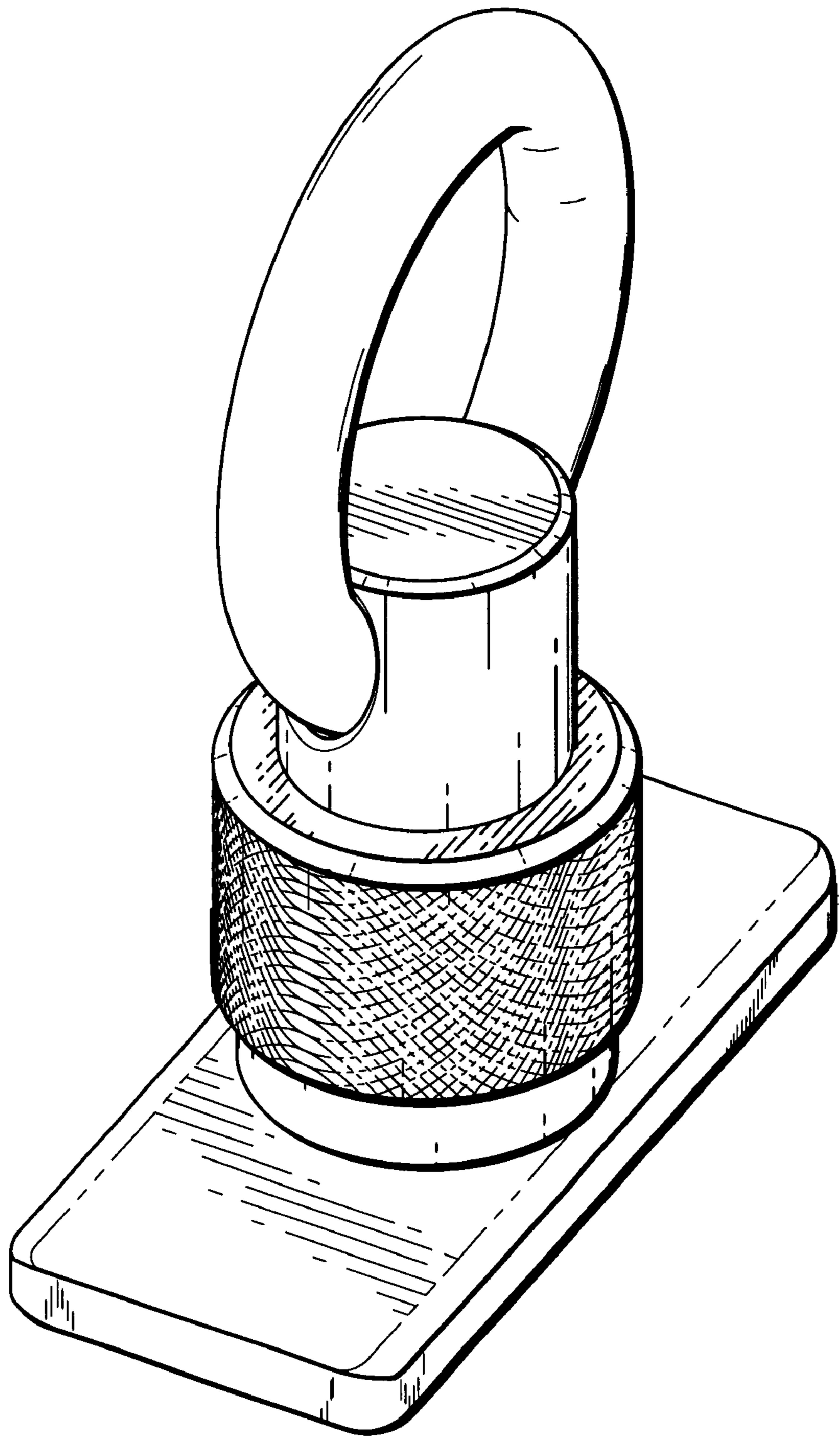


Fig. 1

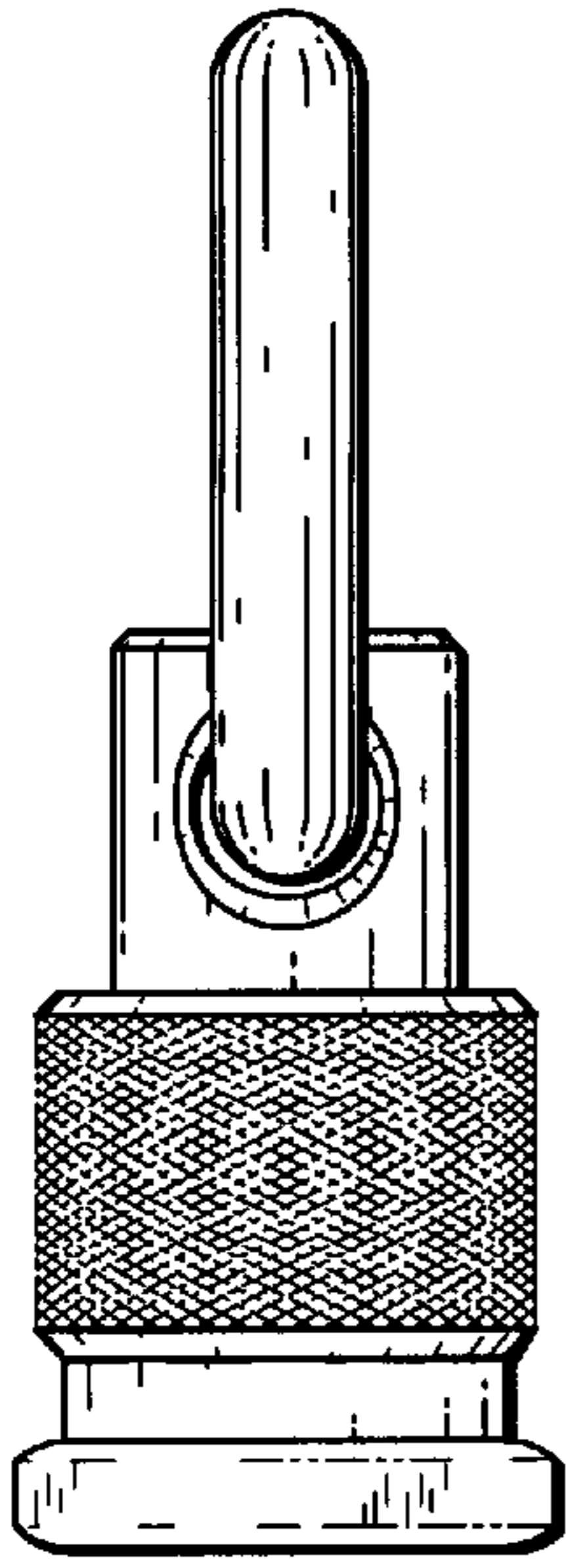


Fig. 2

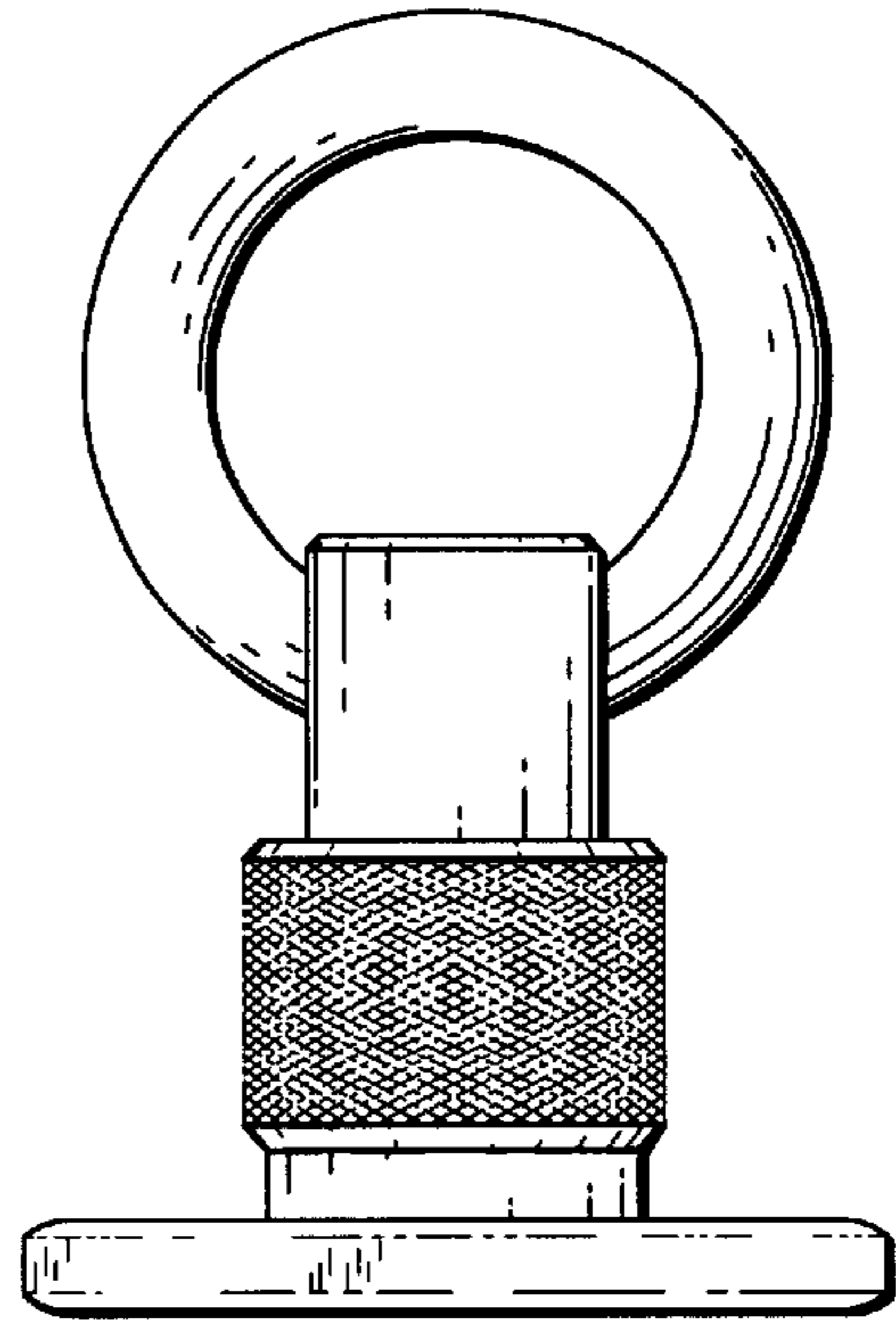


Fig. 3

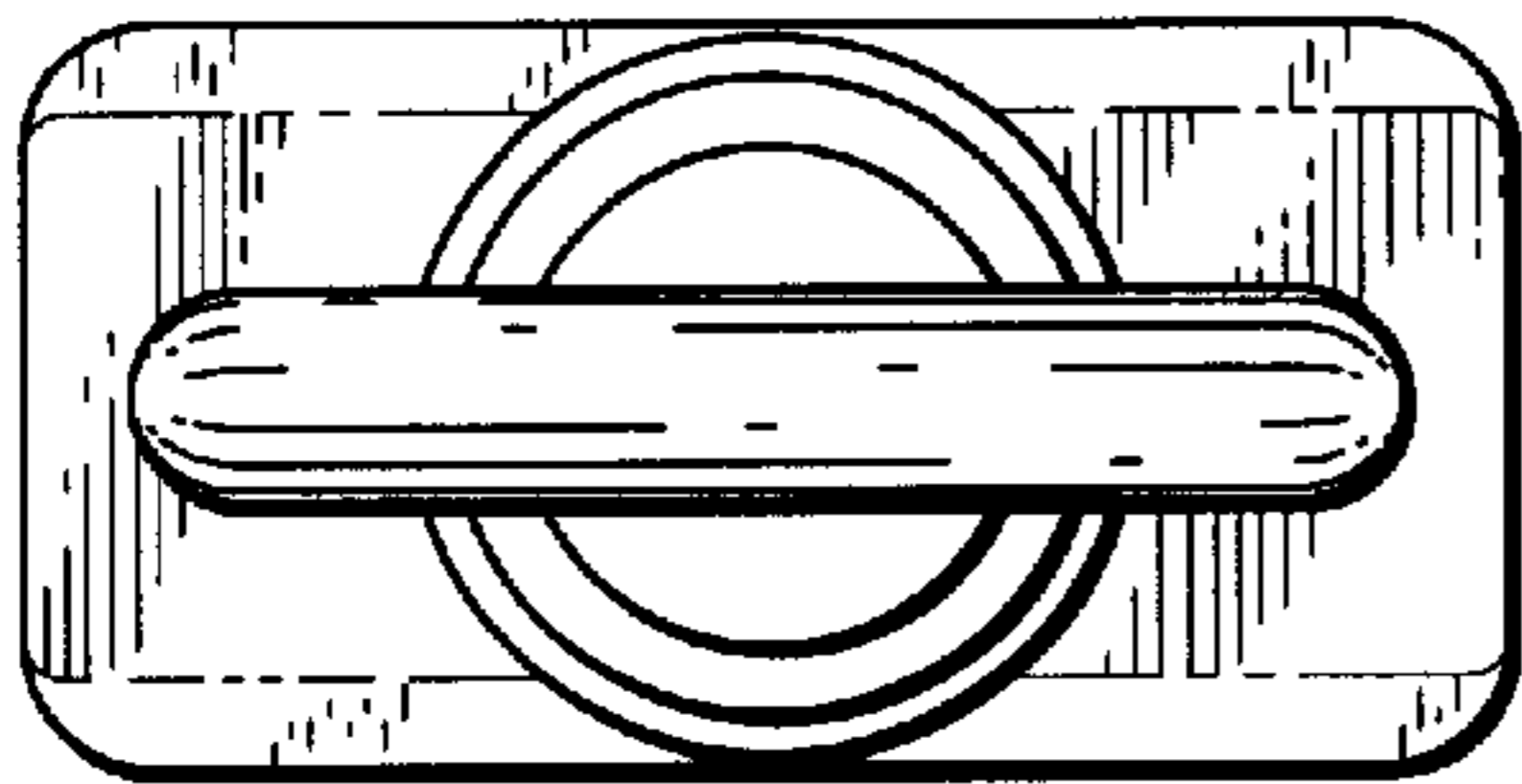


Fig. 4

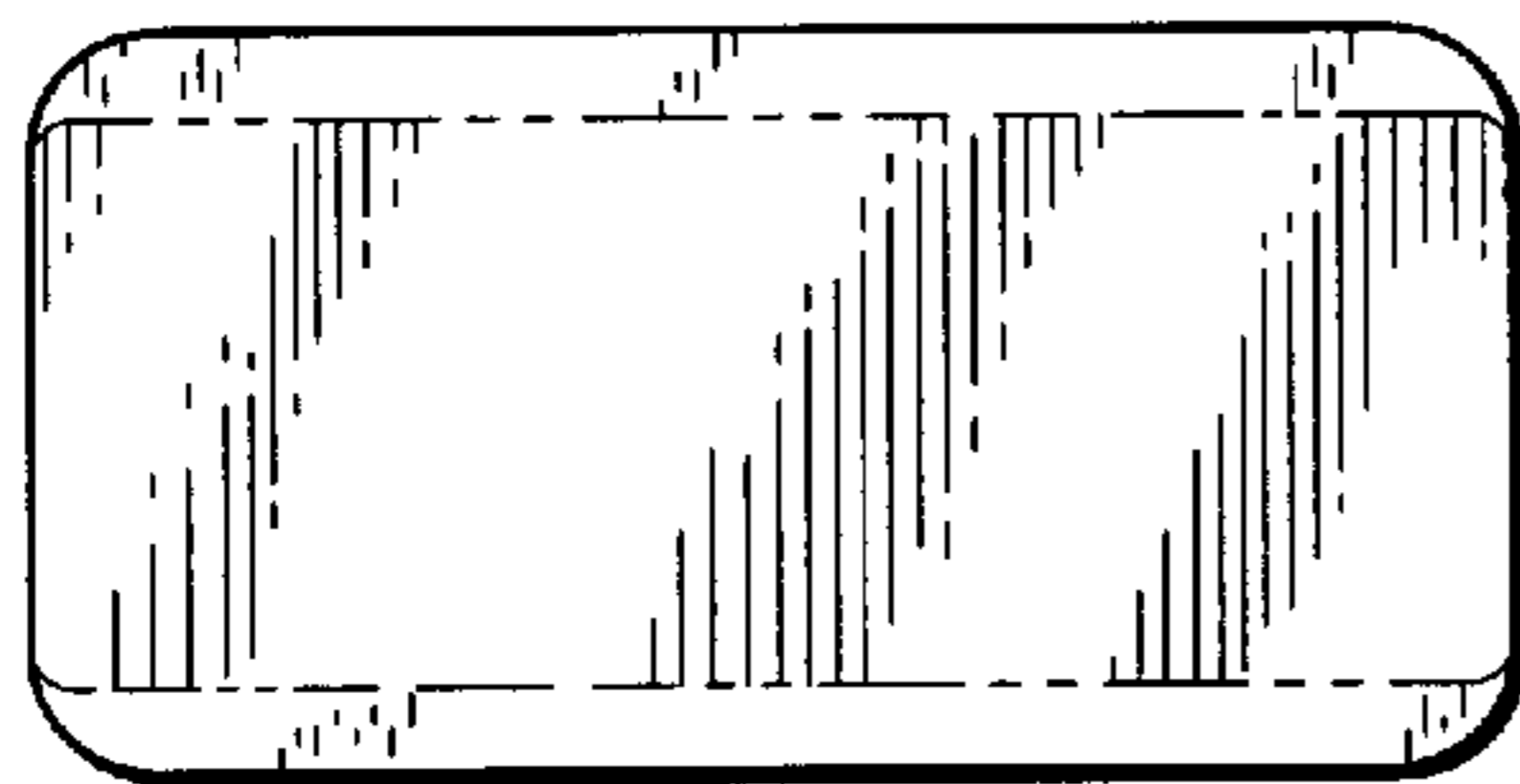


Fig. 5