



US00D446441B1

(12) **United States Design Patent**
Brake

(10) **Patent No.:** **US D446,441 S**

(45) **Date of Patent:** **** Aug. 14, 2001**

(54) **PADLOCK SECURITY CAP**

(76) **Inventor:** **Donald L. Brake**, 312 Haymarket St.,
West Jefferson, OH (US) 43162

(**) **Term:** **14 Years**

(21) **Appl. No.:** **29/133,846**

(22) **Filed:** **Dec. 8, 2000**

(51) **LOC (7) Cl.** **08-07**

(52) **U.S. Cl.** **D8/346**

(58) **Field of Search** D8/334, 343, 346;
70/51, 52, 54, 55, 56, 158, 431, DIG. 56

(56) **References Cited**

U.S. PATENT DOCUMENTS

D. 306,131	*	2/1990	Coffman	D8/343
D. 406,045	*	2/1999	Turner	D8/346
D. 408,265	*	4/1999	Bills	D8/346
D. 426,138	*	6/2000	Matyko	D8/334

* cited by examiner

Primary Examiner—Jennifer Rivard

(74) *Attorney, Agent, or Firm*—Thomas S. Baker, Jr.

(57) **CLAIM**

The ornamental design for a padlock security cap, as shown and described.

DESCRIPTION

FIG. 1 is a front view of the padlock security cap of the present invention;

FIG. 2 is a rear view of the padlock security cap of the present invention;

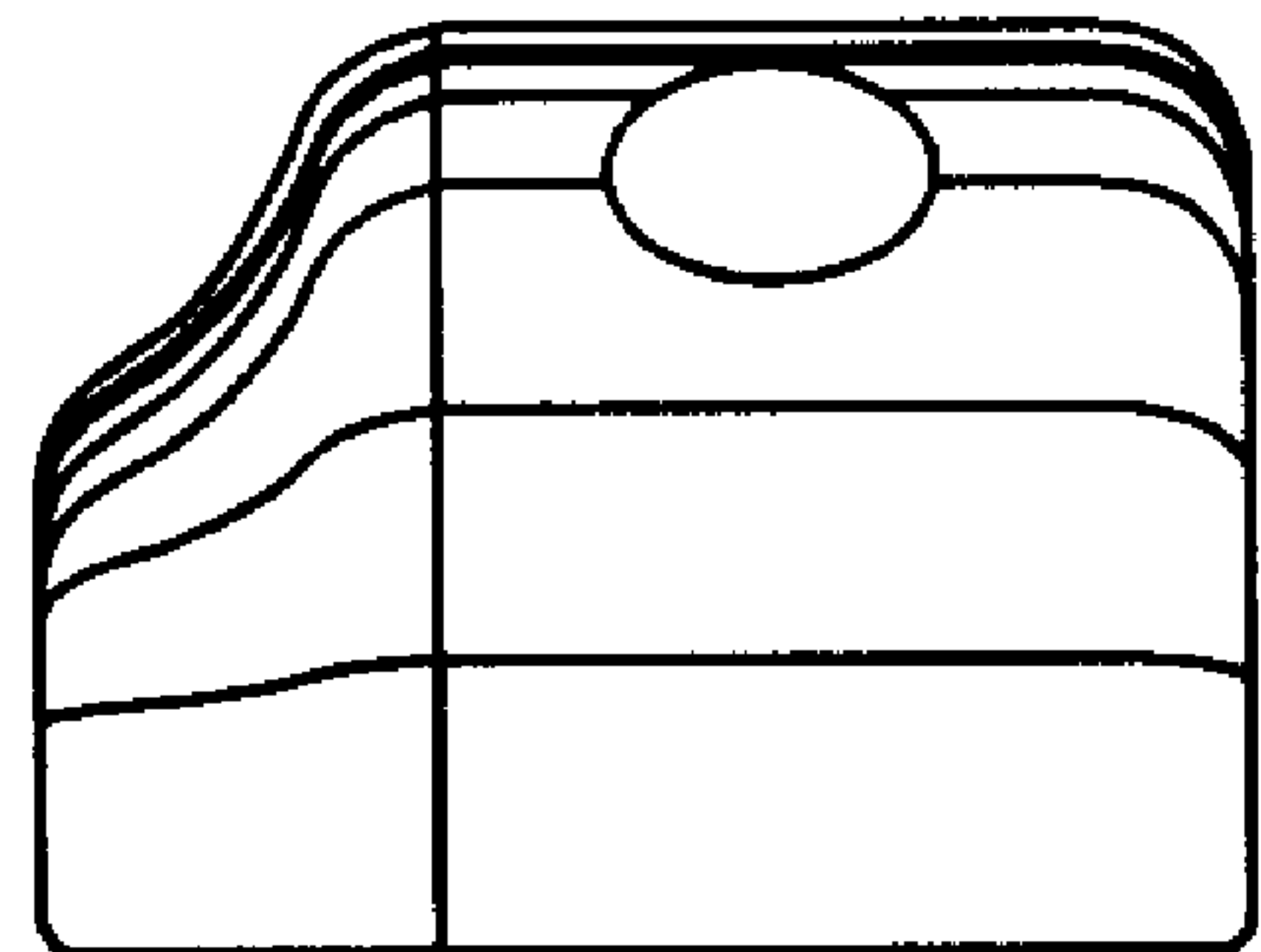
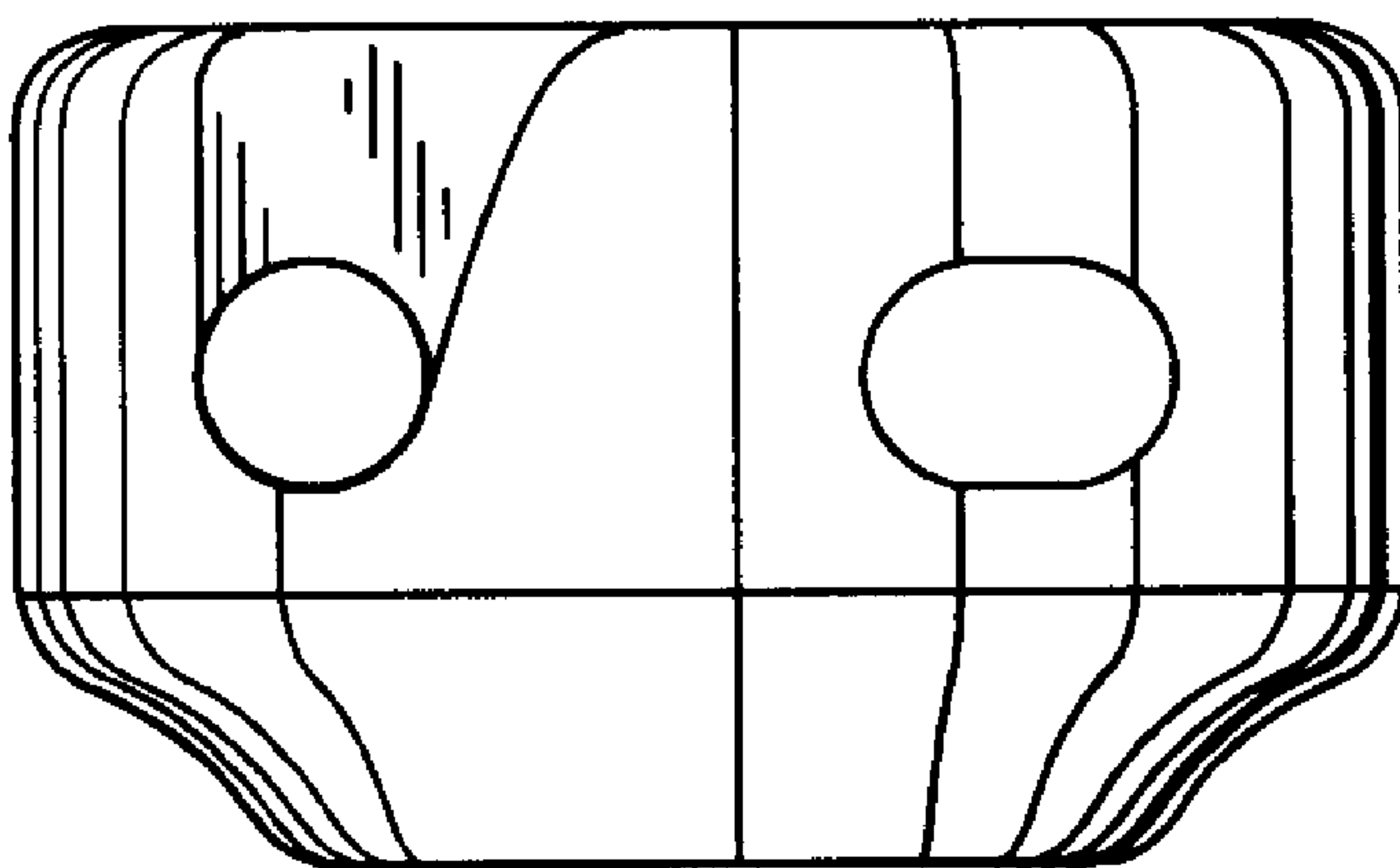
FIG. 3 is a top view of the padlock security cap of the present invention;

FIG. 4 is a right side view of the padlock security cap of the present invention;

FIG. 5 is a left side view of the padlock security cap of the present invention; and,

FIG. 6 is a bottom view of the padlock security cap of the present invention.

1 Claim, 1 Drawing Sheet



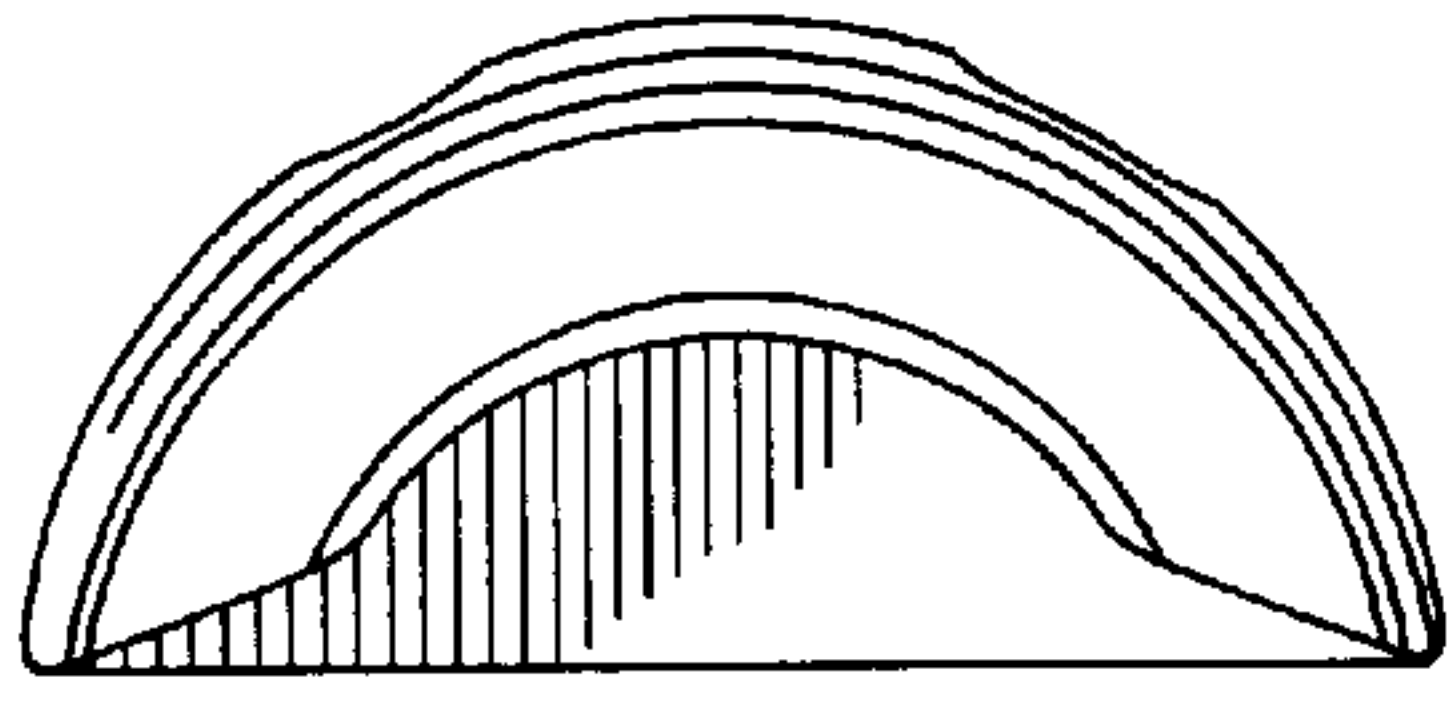


FIG. 1

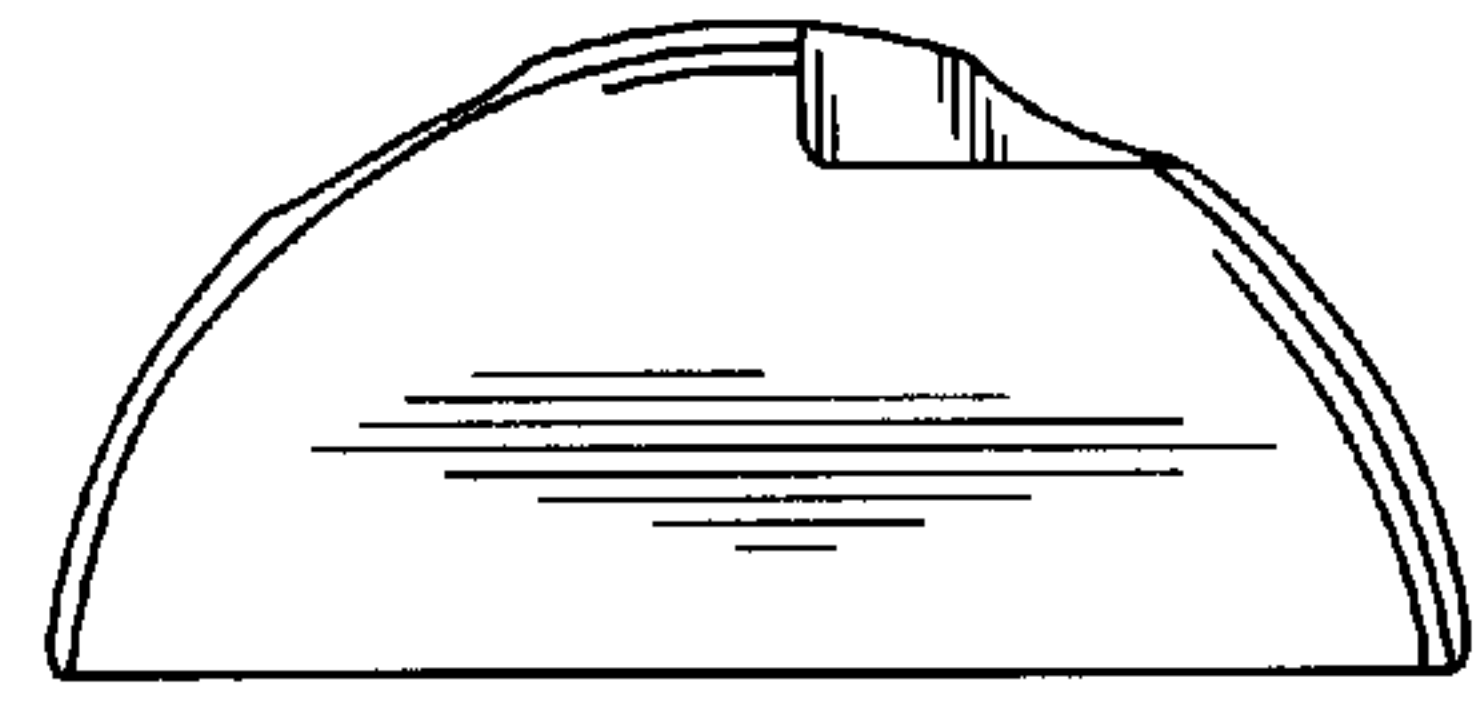


FIG. 2

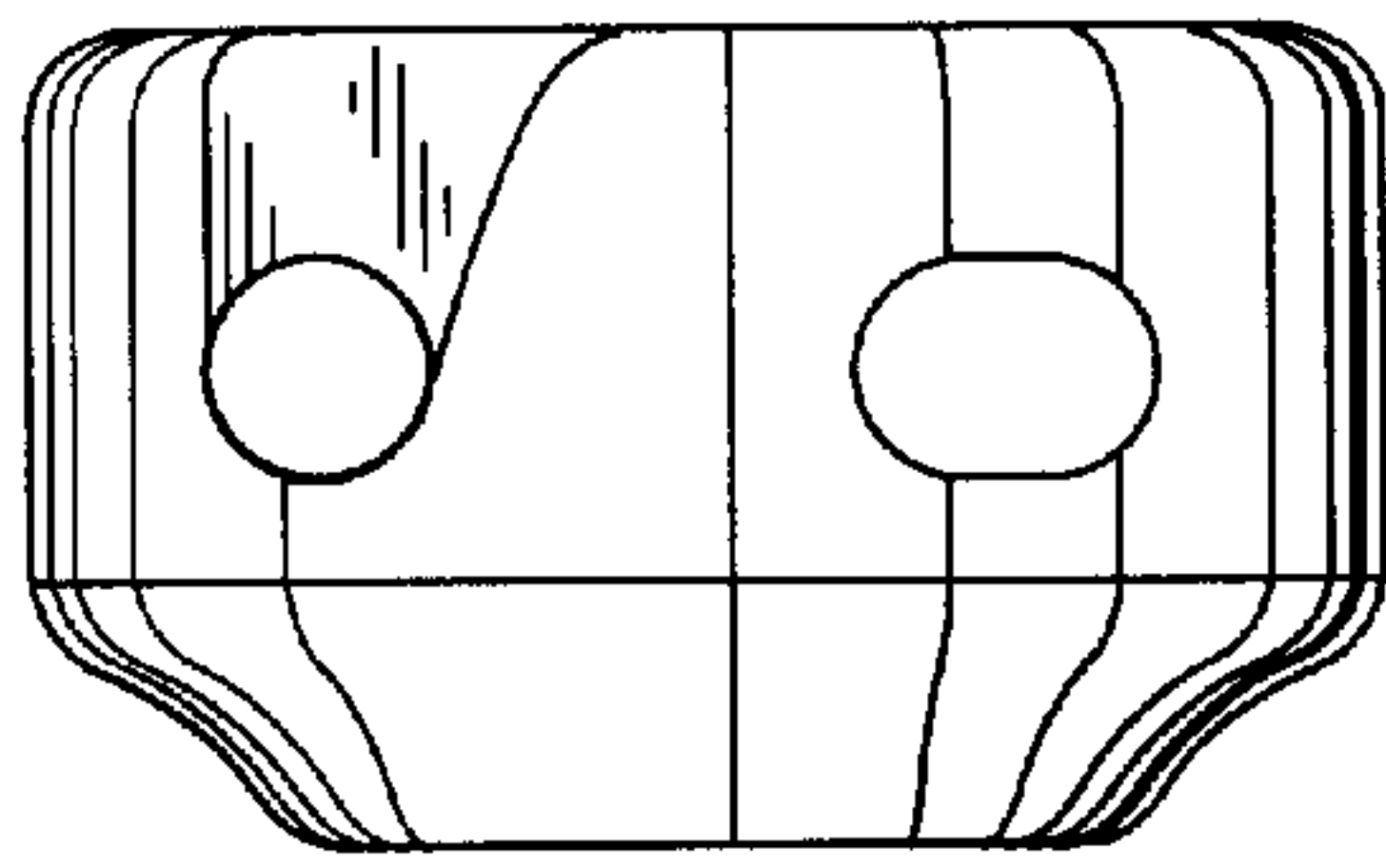


FIG. 3

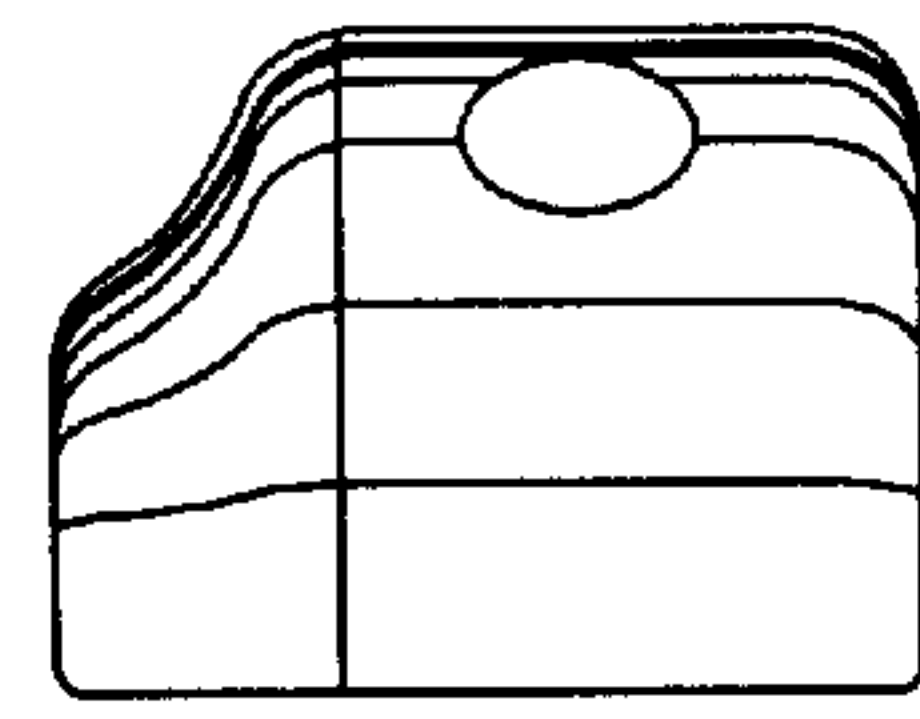


FIG. 4

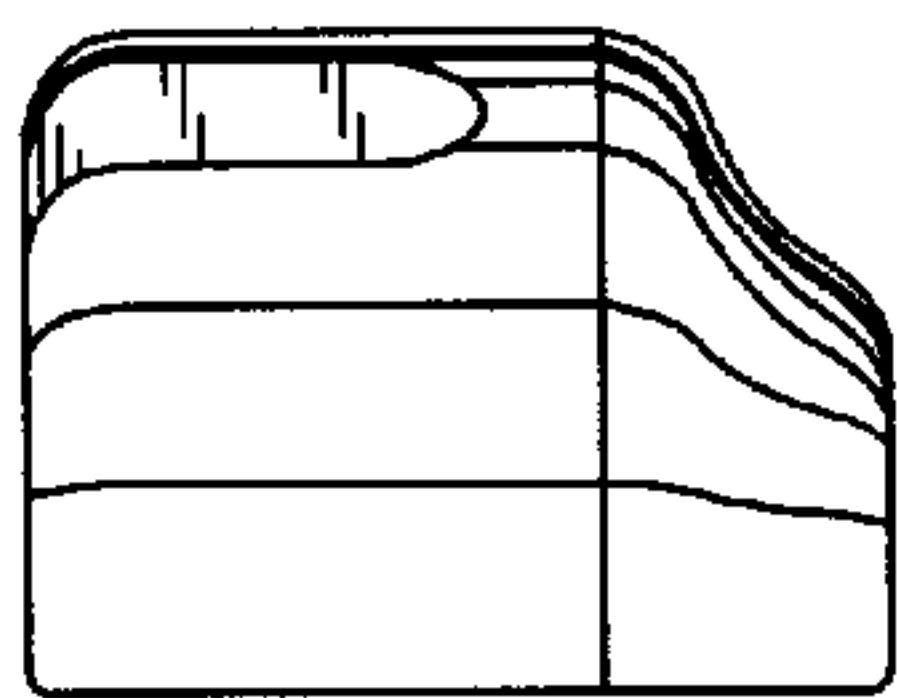


FIG. 5

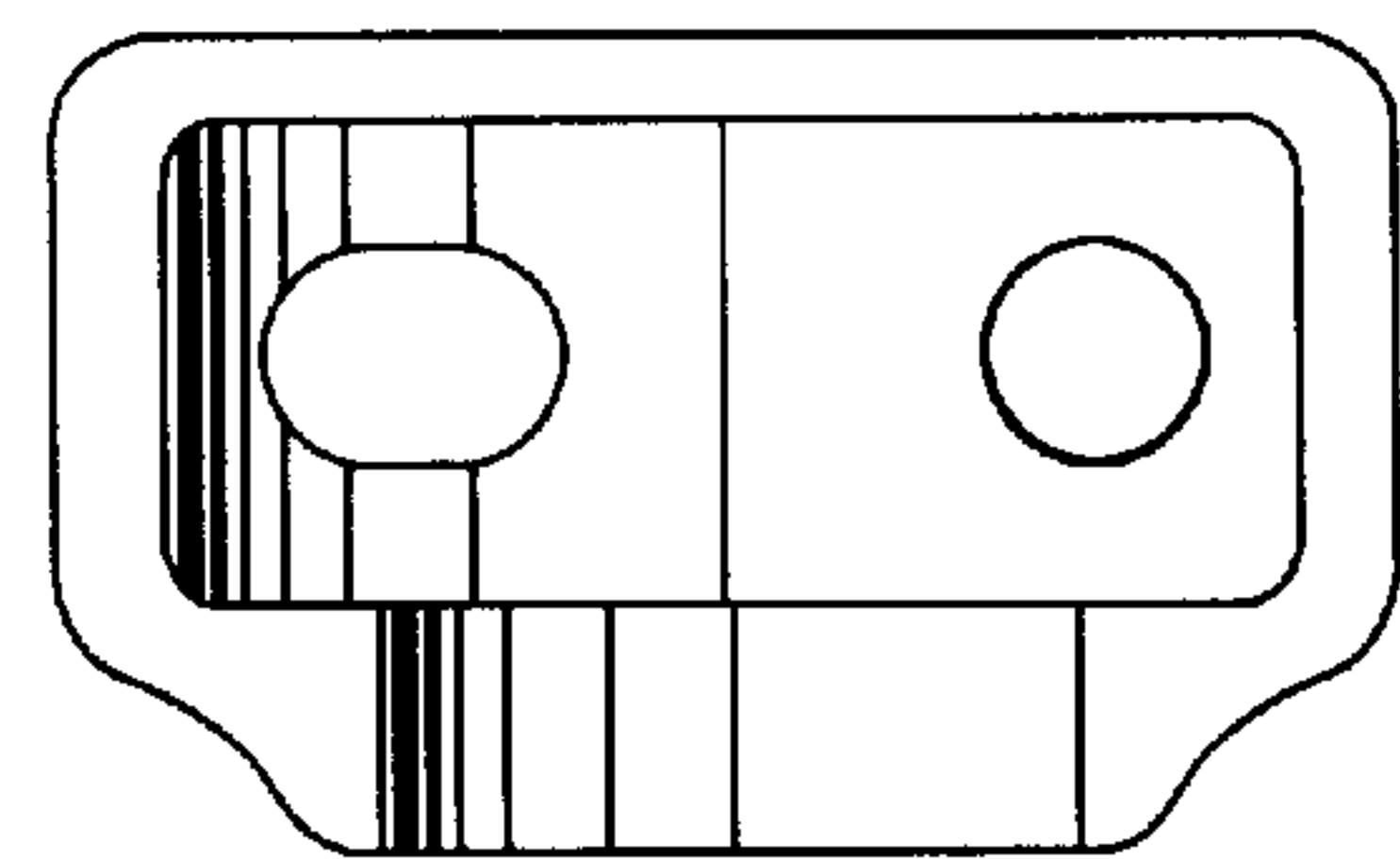


FIG. 6