



US00D446440B1

(12) **United States Design Patent**
Webber et al.

(10) **Patent No.:** **US D446,440 S**
(45) **Date of Patent:** **** Aug. 14, 2001**

- (54) **THUMB-ACTIVATED ADJUSTMENT LEVER**
- (75) Inventors: **Randall T. Webber; Bruce Hockridge**, both of San Diego, CA (US)
- (73) Assignee: **Hoist Fitness Systems**, San Diego, CA (US)
- (**) Term: **14 Years**
- (21) Appl. No.: **29/124,870**
- (22) Filed: **Jun. 13, 2000**
- (51) **LOC (7) Cl.** **08-07**
- (52) **U.S. Cl.** **D8/331; D21/694**
- (58) **Field of Search** D8/330, 331, 338, D8/341, 343, 344, 308, 88; 248/161; D21/694; 482/63; 292/80, 83, 85, 86, 87, 89, 24, 31, 113, 242, DIG. 38, DIG. 37

- Nautilus Brochure, 1980's.
- Nautilus 2ST Nautilus Brochure, 1990.
- D100 Bicep Curl, Hoist Fitness Owner's Manual 1996.
- Seat Back Adjustment, Hoist Fitness Brochure, 1989.
- Twist N' Lift Seat, Hoist Fitness Brochure, 1989.
- Ratcheting Seat Adjuster, Pacific Fitness Brochure, 1998.
- Biangular Plate Load Incline Press, Magnum Fitness, 1997.
- Easy-Lift Ratcheting Seat and Back Pad Adjustment System, Hoist Fitness Brochure, 1999.

* cited by examiner

Primary Examiner—Susan J. Lucas
Assistant Examiner—Jennifer Rivard
(74) *Attorney, Agent, or Firm*—Brown, Martin, Haller & McClain LLP

(56) **References Cited**

U.S. PATENT DOCUMENTS

D. 191,349	*	9/1961	Spencer	D8/308
D. 218,279		8/1970	Chaumont	.	
D. 306,688		3/1990	Hyde	.	
3,499,674		3/1970	Voran et al.	.	
3,606,423		9/1971	McCarthy	.	
4,586,399		5/1986	Kassai	.	
4,898,413		2/1990	Bertolini	.	
5,441,470		8/1995	Chen	.	
5,600,976		2/1997	Hapke et al.	.	
5,625,923		5/1997	Huang	.	
5,771,723	*	6/1998	Itoh	292/DIG. 37
5,882,283		3/1999	Stevens	.	
5,887,490		3/1999	Dittmar	.	
5,975,593		11/1999	Cress	.	
6,099,440	*	8/2000	Schurter et al.	482/63

OTHER PUBLICATIONS

- HR1 Recumbent Exercise Bike, Hoist Fitness Brochure, 1994.
- Hammer Strength Seated Bicep Machine, Hammer Brochure, 1993.
- Hammer Brochure, 1993.

(57) **CLAIM**

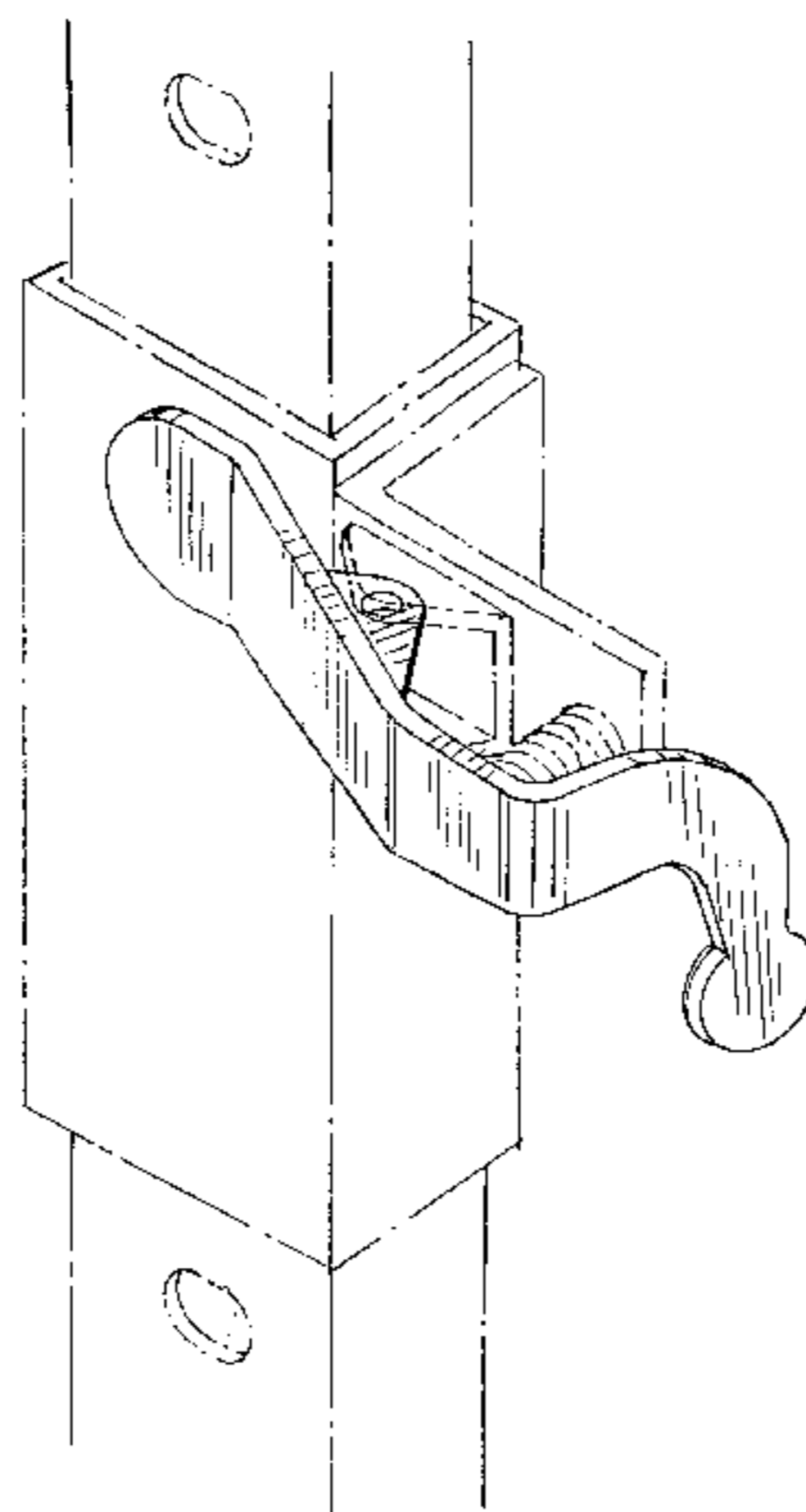
The ornamental design for a thumb-activated adjustment lever, as shown and described.

DESCRIPTION

- FIG. 1 is a perspective view of a thumb-activated adjustment lever showing our new design, associated adjustable structure being indicated in broken line;
- FIG. 2 is a right hand end view of the lever thereof;
- FIG. 3 is a left hand end view thereof;
- FIG. 4 is a front view thereof;
- FIG. 5 is a bottom plan view thereof; and,
- FIG. 6 is a rear view thereof of a thumb-activated adjustment lever.

The broken lines are shown for illustrative purposes only and form no part of the claimed design.

1 Claim, 1 Drawing Sheet



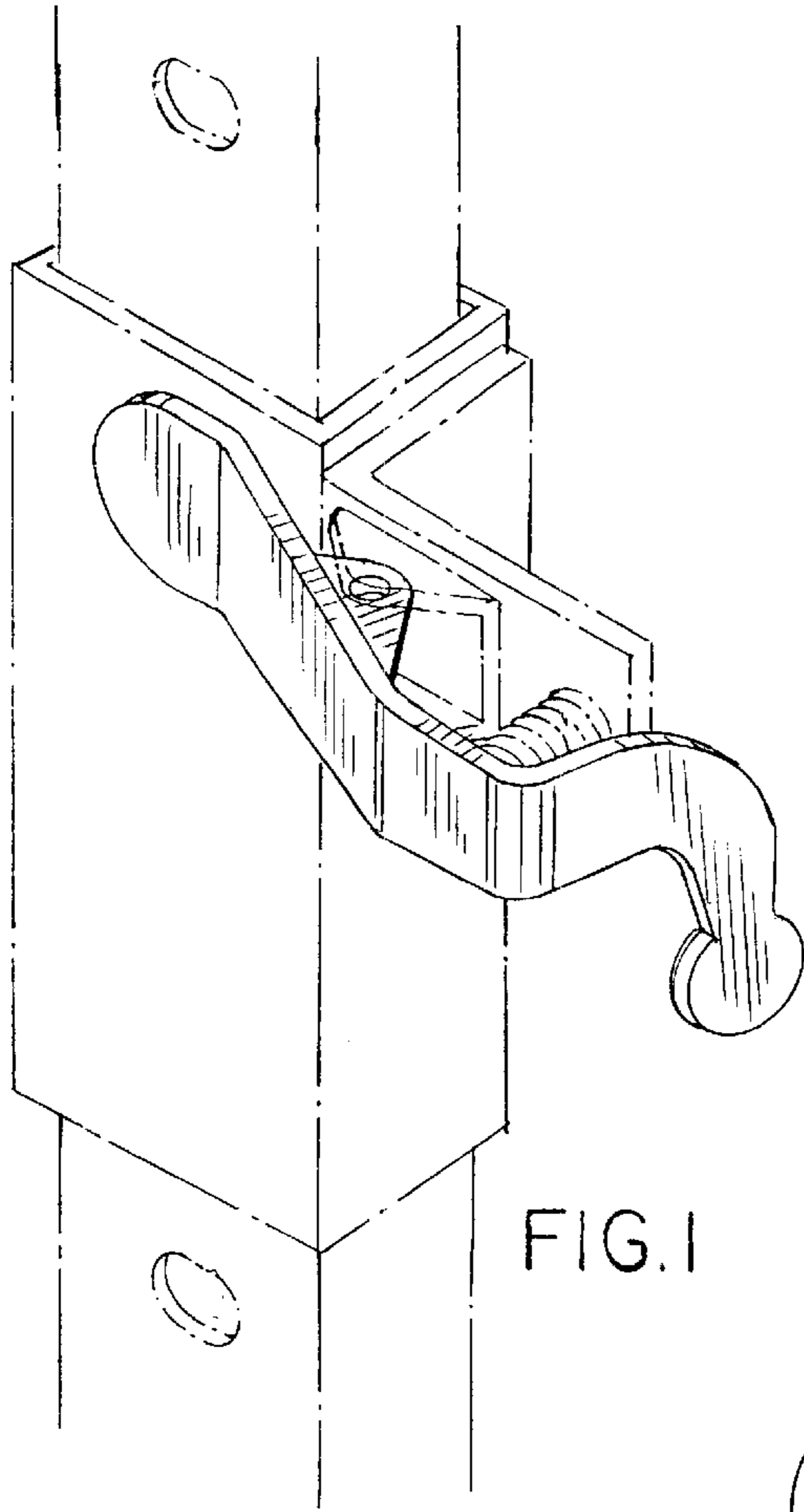


FIG. 1

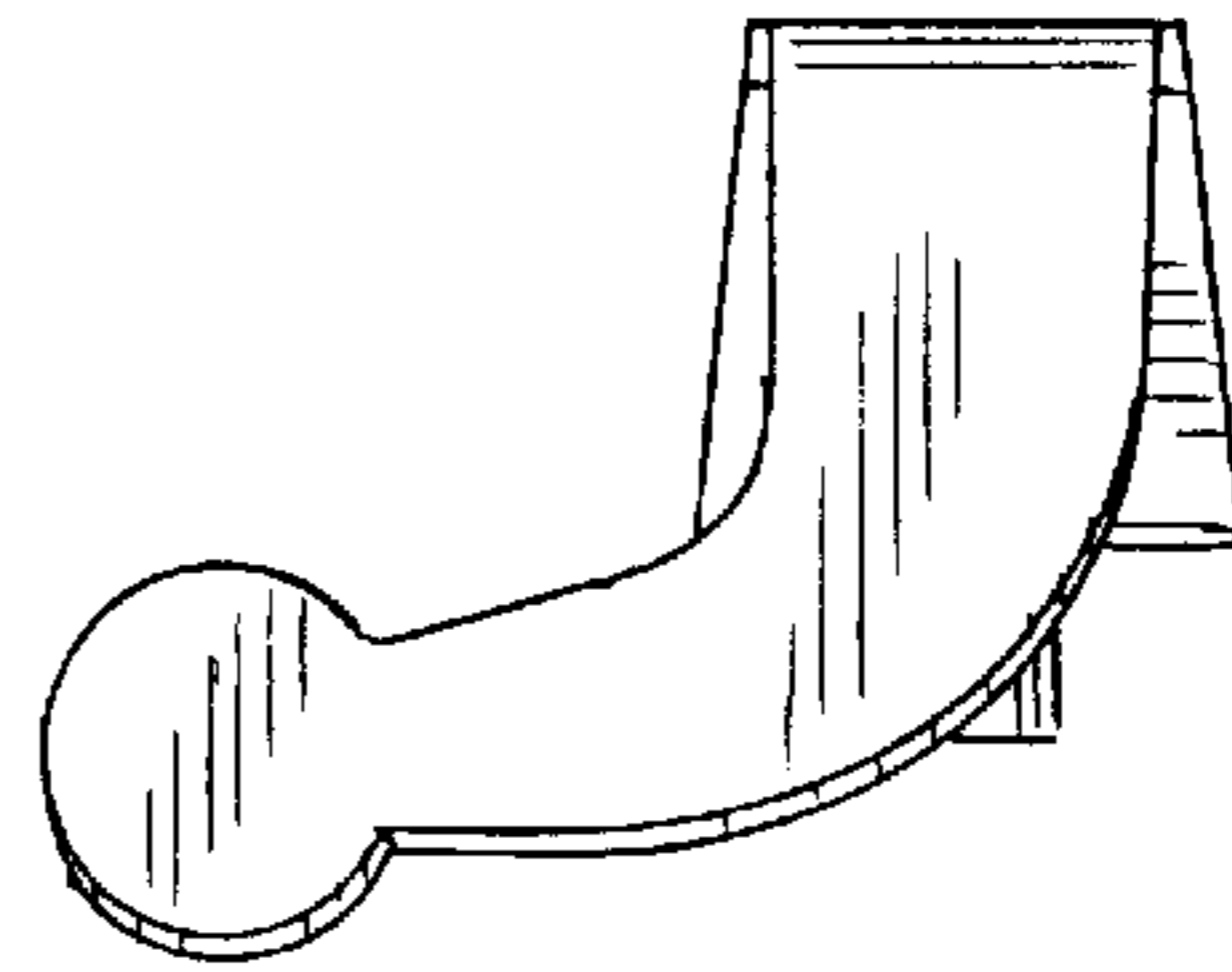


FIG. 2

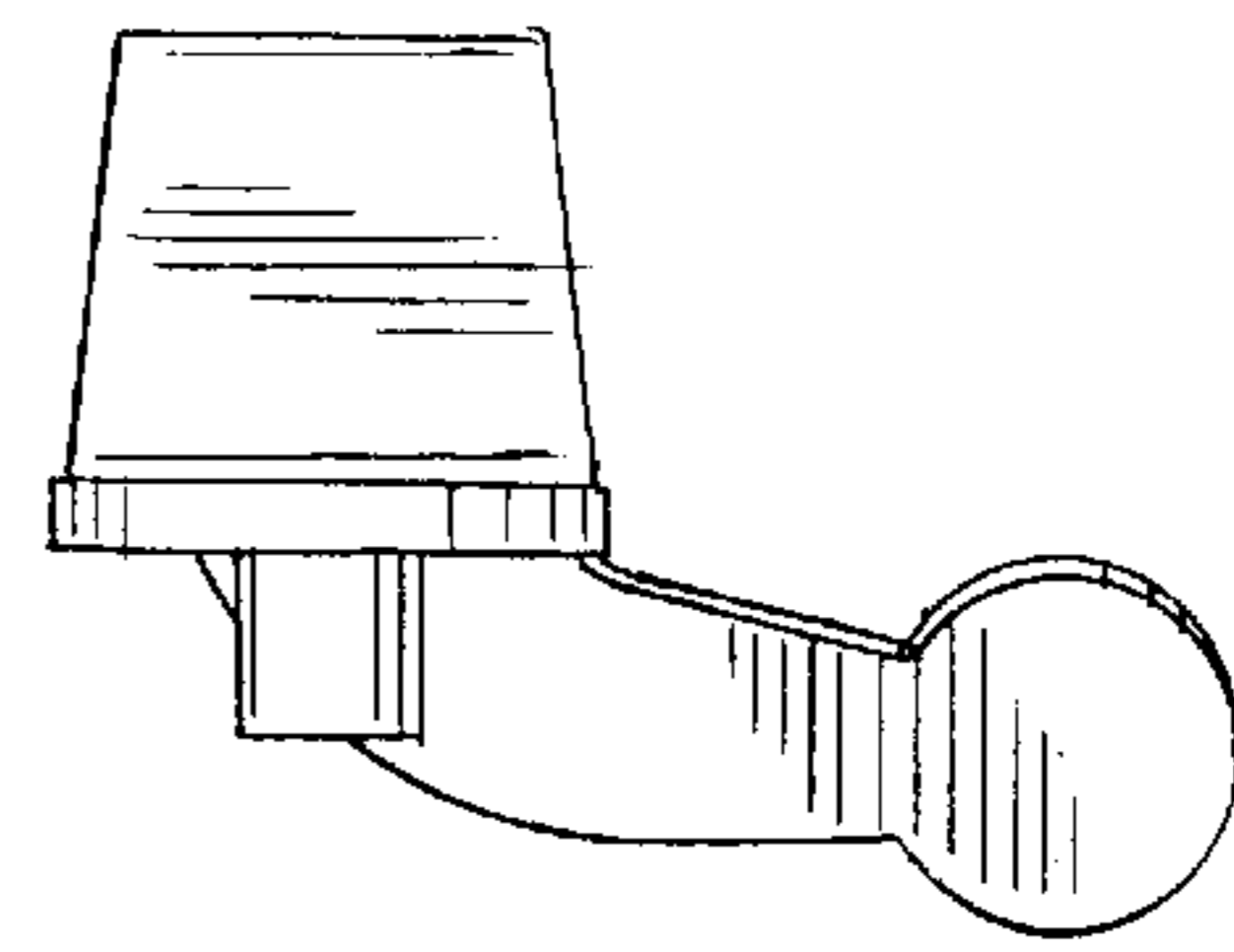


FIG. 3

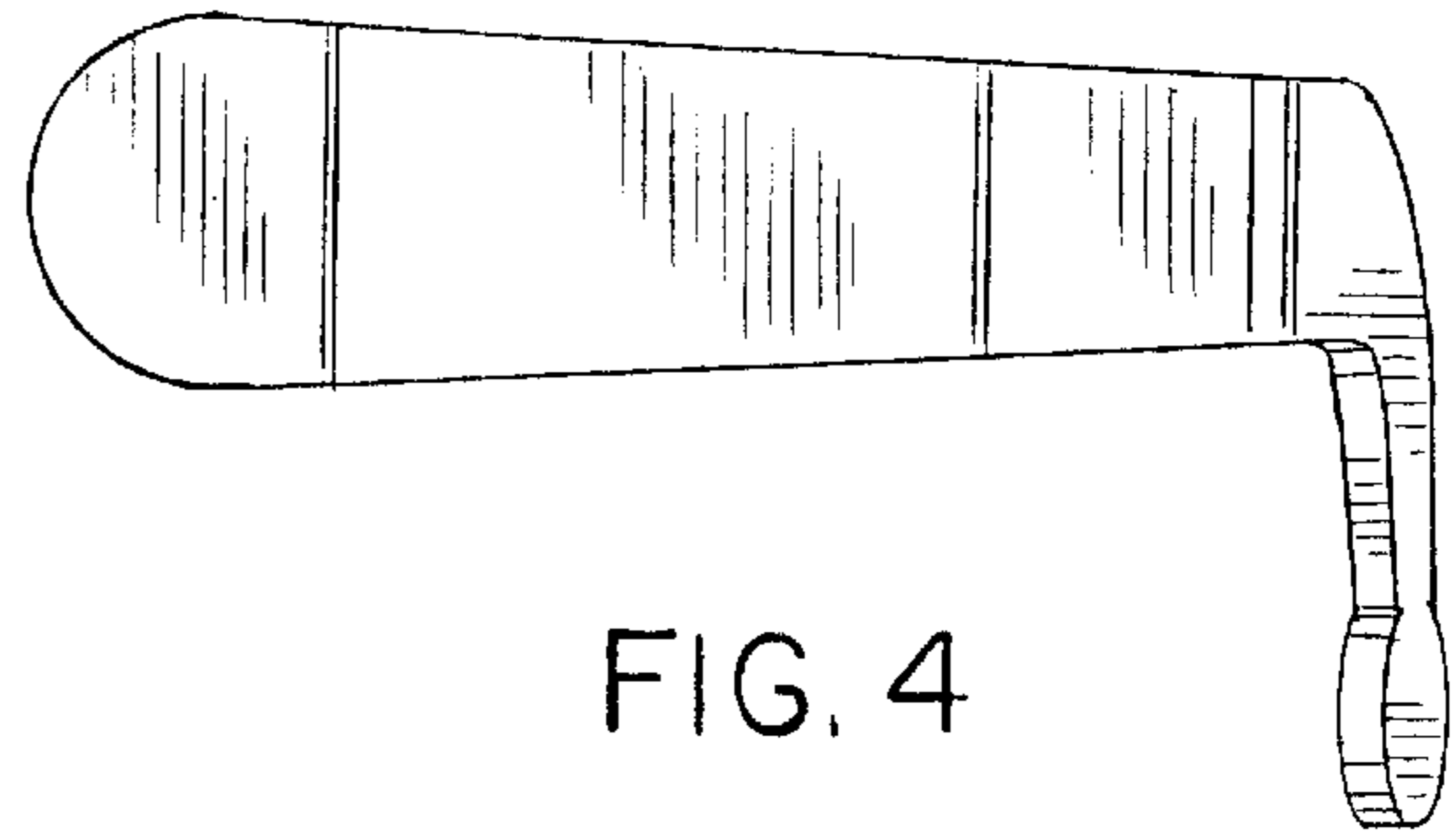


FIG. 4

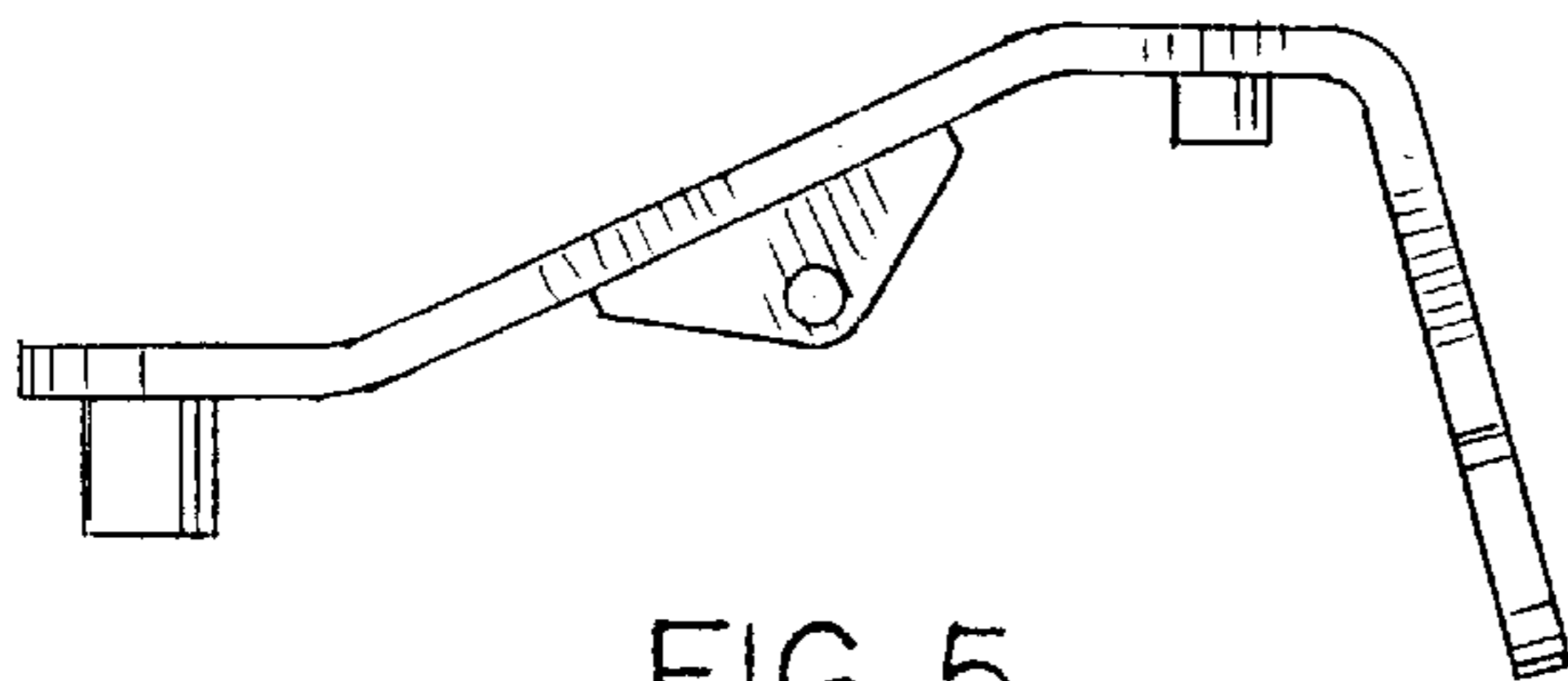


FIG. 5

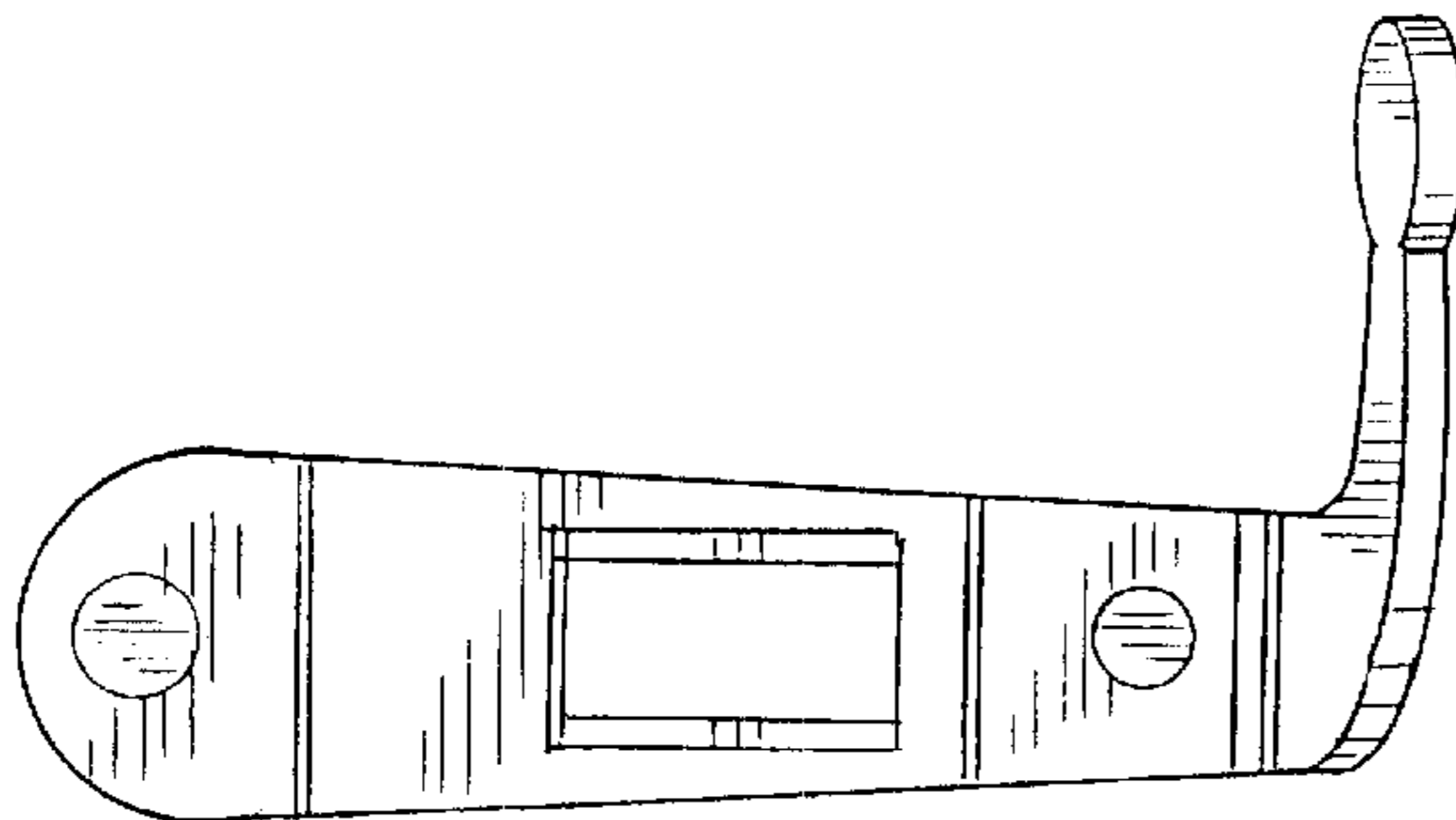


FIG. 6