



US00D446439B1

(12) **United States Design Patent**
Avganim

(10) **Patent No.:** **US D446,439 S**

(45) **Date of Patent:** **** Aug. 14, 2001**

(54) **COMPUTER HOUSING LOCK**

(76) Inventor: **Meir Avganim**, 156, Moshav Gealiya,
76885 (IL)

(**) Term: **14 Years**

(21) Appl. No.: **29/105,970**

(22) Filed: **Jun. 4, 1999**

(51) **LOC (7) Cl.** **08-07**

(52) **U.S. Cl.** **D8/331**

(58) **Field of Search** D8/330, 331, 336,
D8/343; 70/163, 164, 166, 88, 57, 58

(56) **References Cited**

U.S. PATENT DOCUMENTS

- D. 274,691 * 7/1984 Wallace D8/336
- D. 370,621 * 6/1996 Themistos et al. D8/343
- 5,288,241 * 2/1994 Davidge et al. 70/57
- 5,687,592 * 11/1997 Penniman et al. 70/58 X

* cited by examiner

Primary Examiner—Susan J. Lucas

Assistant Examiner—Jennifer Rivard

(74) *Attorney, Agent, or Firm*—Ostrolenk, Faber, Gerb &
Soffen, LLP

(57) **CLAIM**

The ornamental design for computer housing lock, as shown
and described.

DESCRIPTION

FIG. 1 is a top front perspective view of a computer housing
lock showing my new design;
FIG. 2 is a top rear perspective view thereof;
FIG. 3 is a front elevational view thereof;
FIG. 4 is a rear elevational view thereof;
FIG. 5 is a right side view thereof;
FIG. 6 is a left side view thereof;
FIG. 7 is a bottom view thereof; and,
FIG. 8 is a top view thereof.

1 Claim, 1 Drawing Sheet

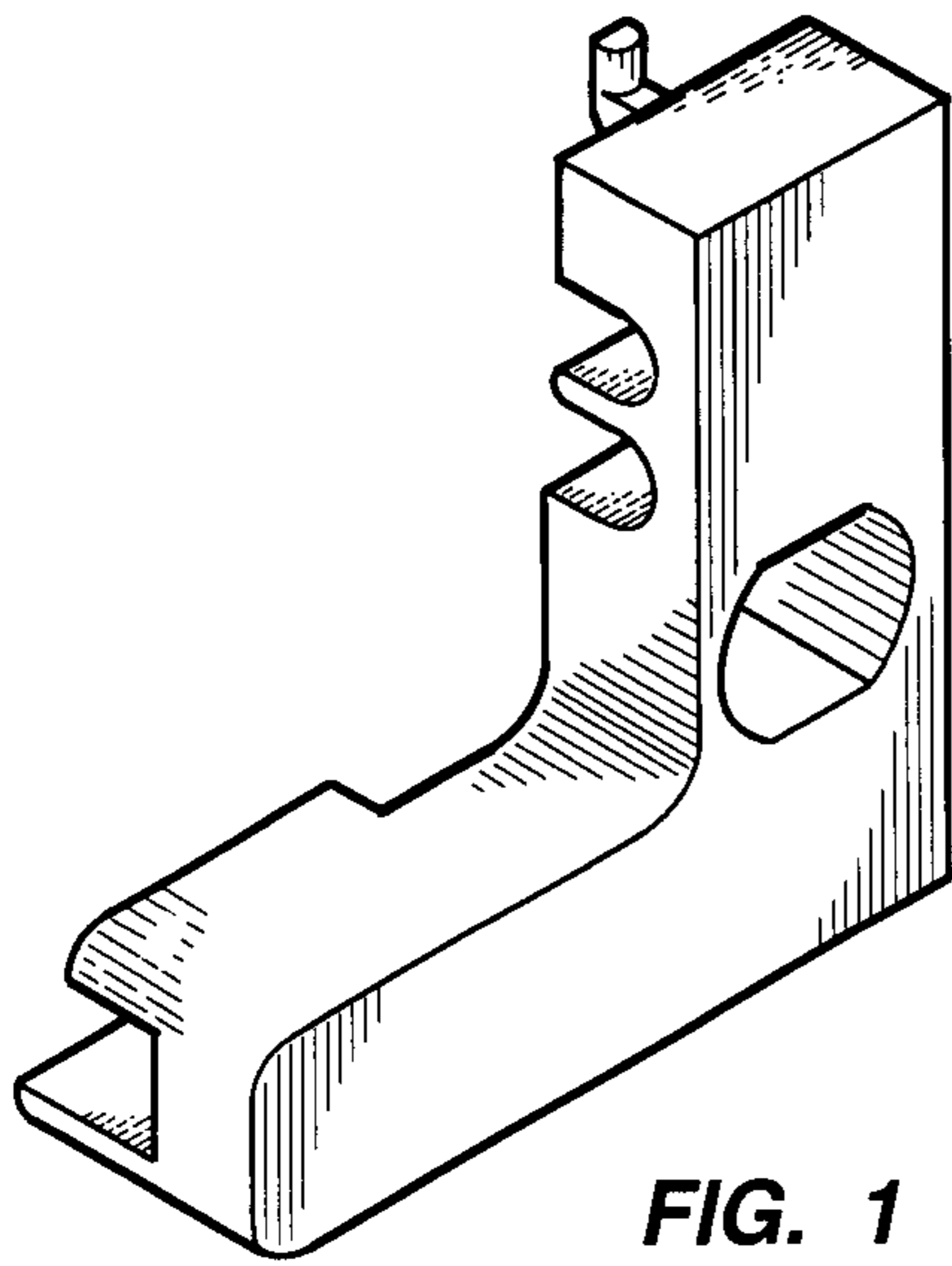


FIG. 1

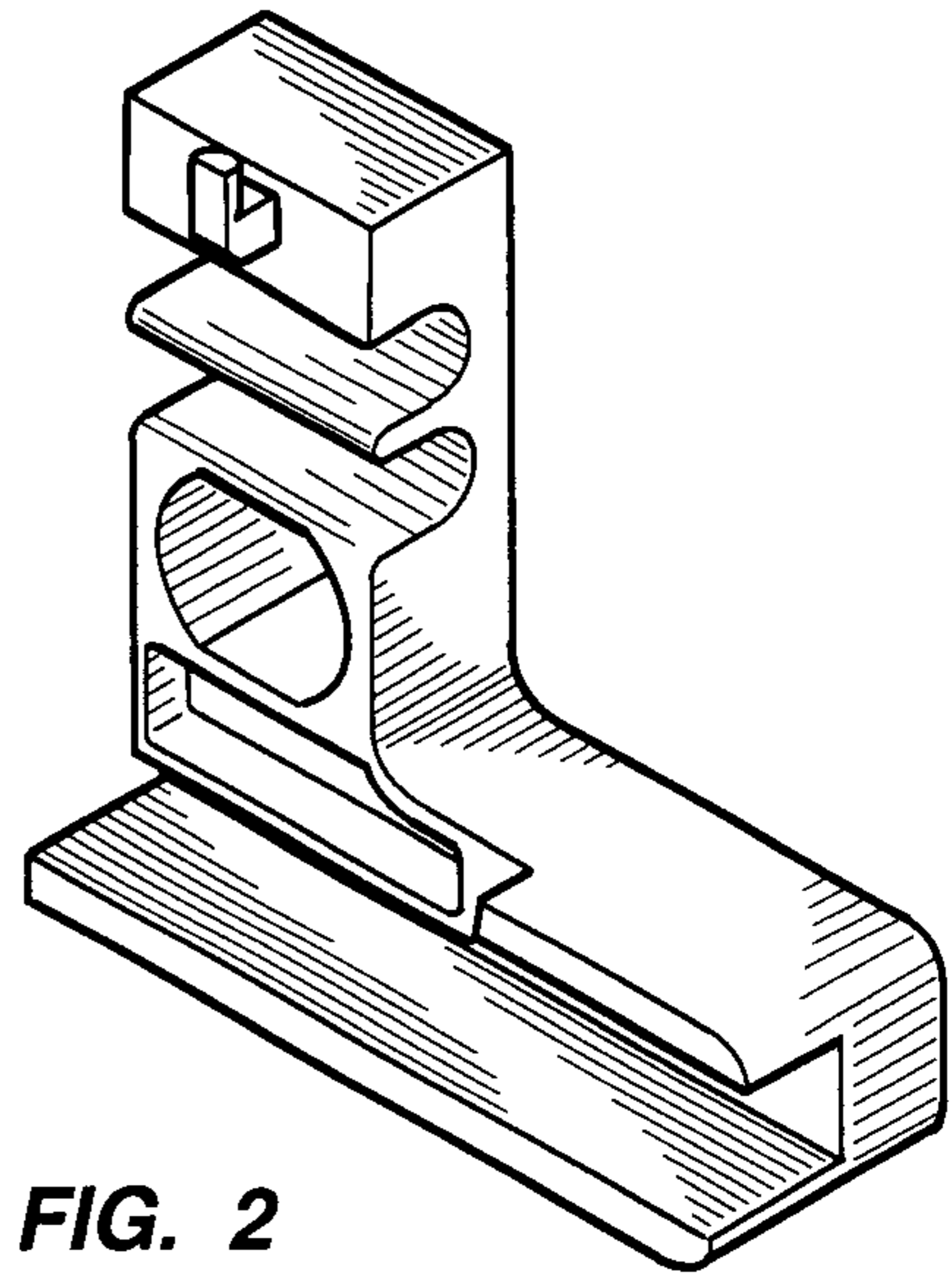


FIG. 2

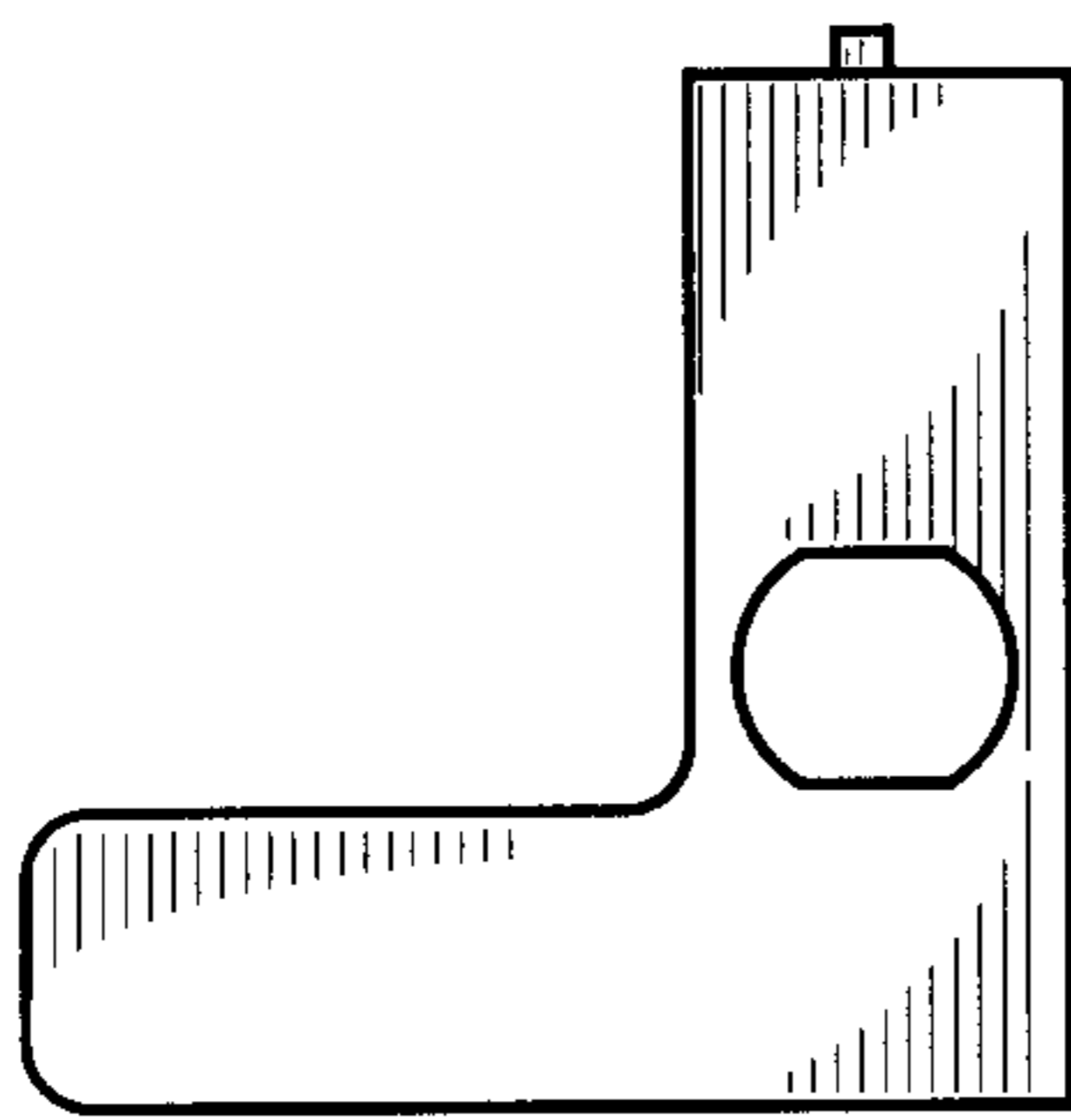


FIG. 3

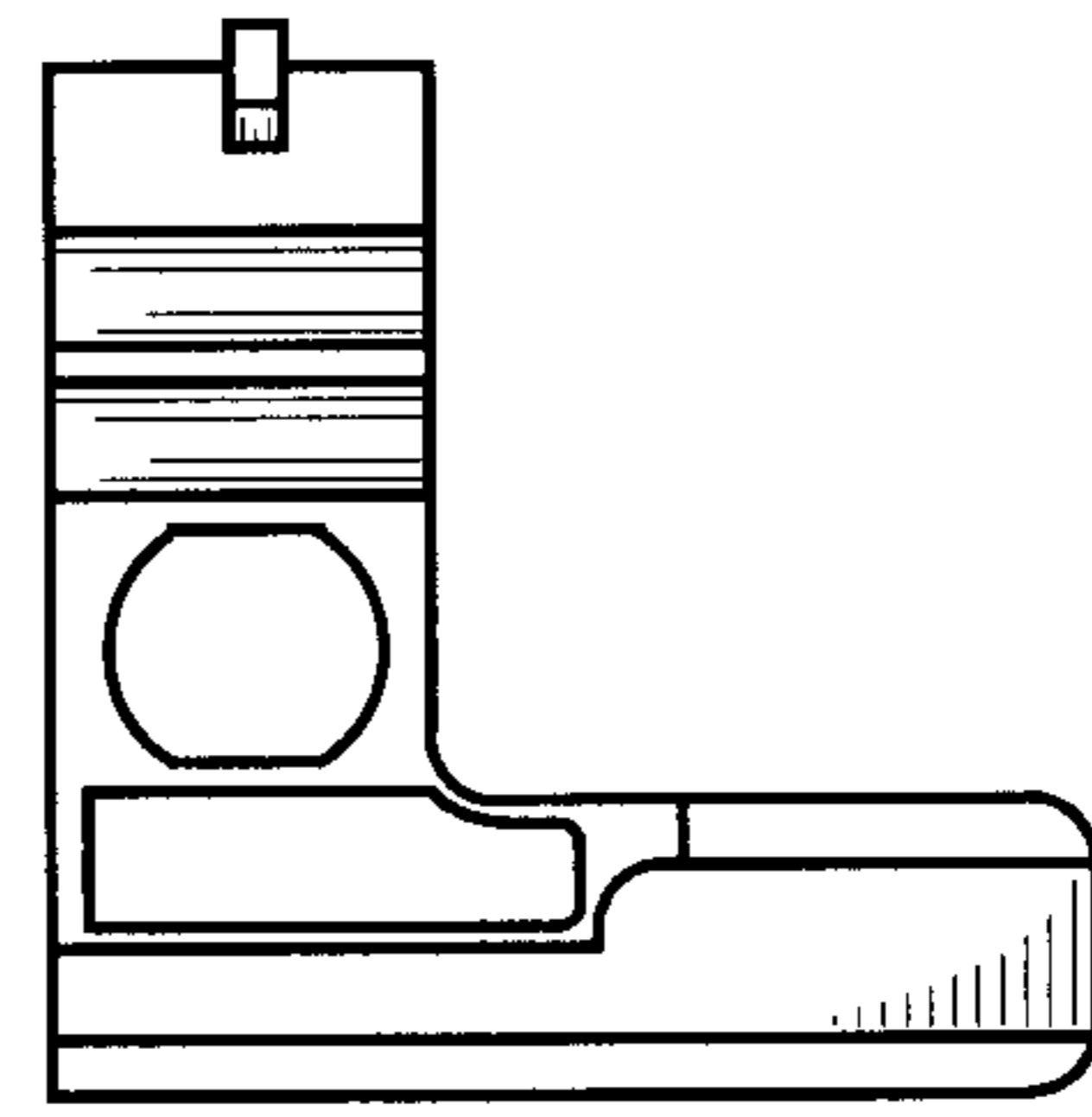


FIG. 4

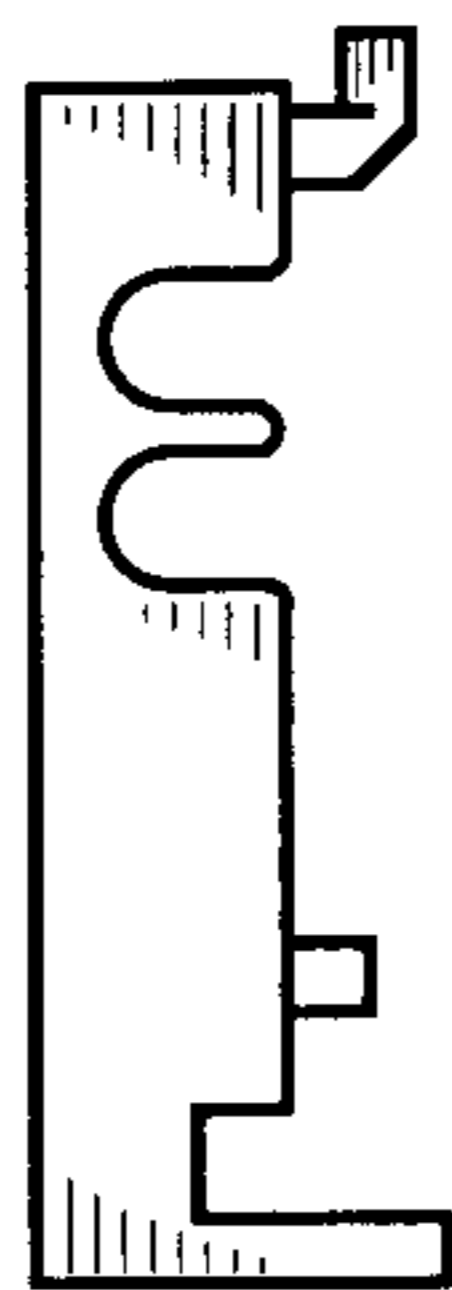


FIG. 5

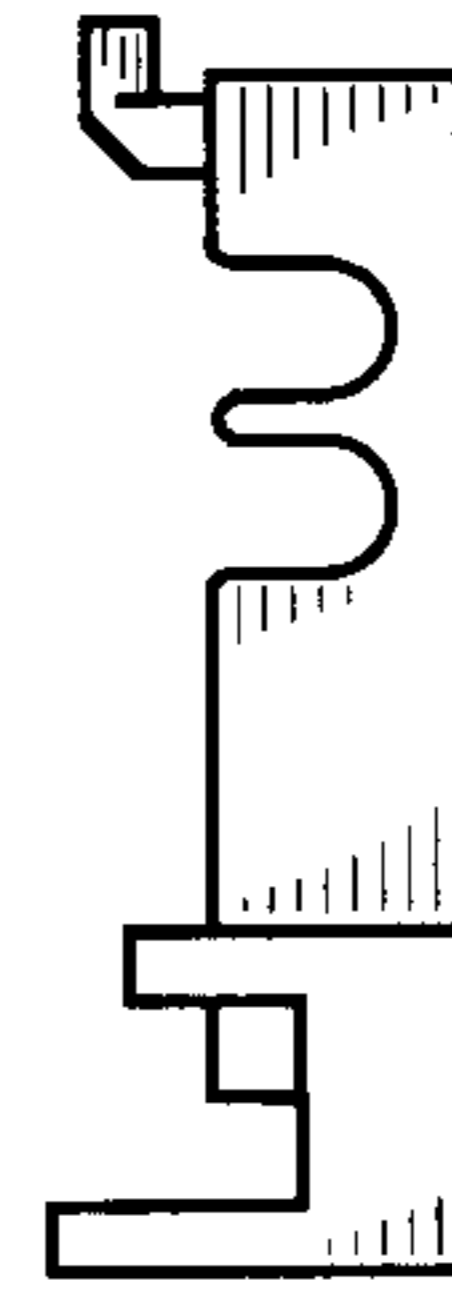


FIG. 6

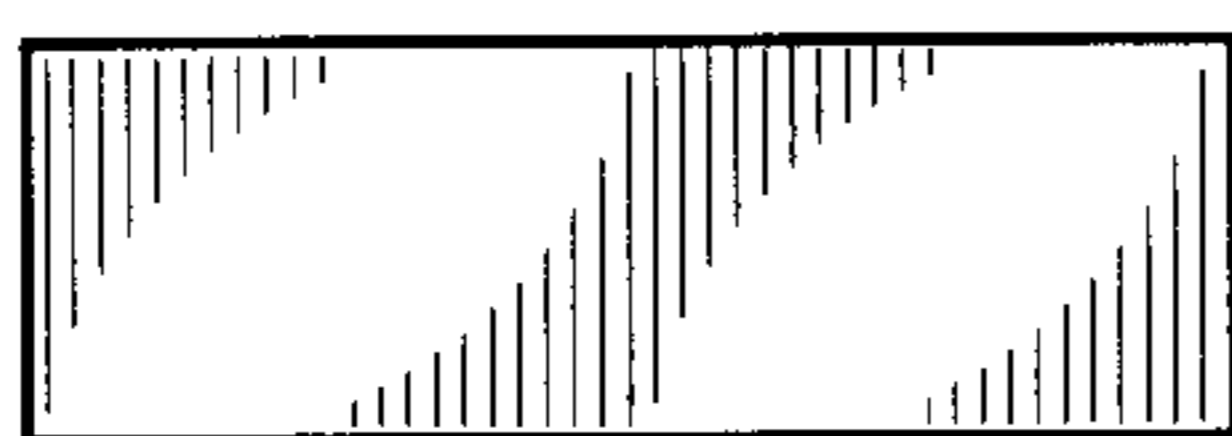


FIG. 7

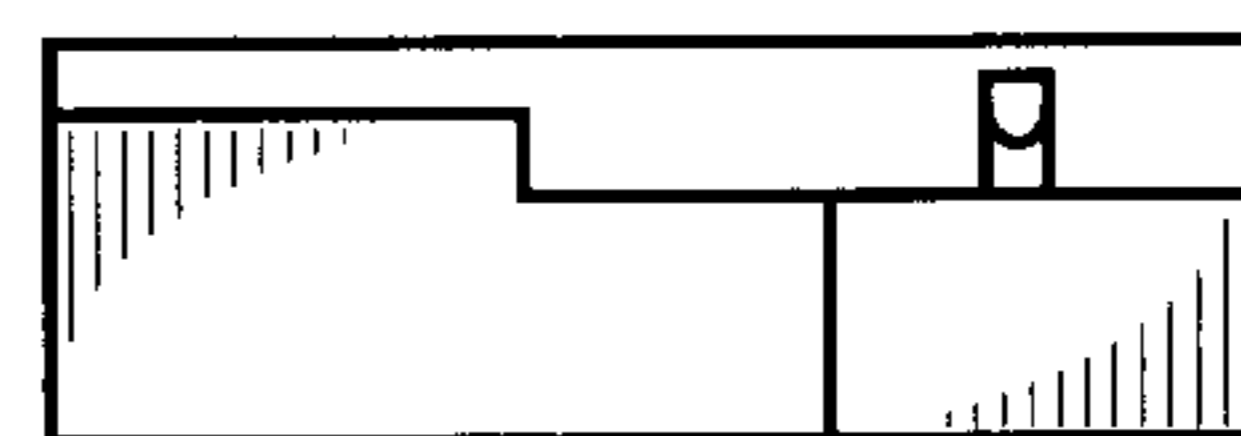


FIG. 8