



US00D446436B1

(12) **United States Design Patent**
Christianson

(10) **Patent No.:** **US D446,436 S**

(45) **Date of Patent:** **** Aug. 14, 2001**

- (54) **ZYTOOL-KEYCORDER/FINDER**
- (76) Inventor: **Tristan M. Christianson**, 1715 Cabrillo St., San Francisco, CA (US) 94121
- (**) Term: **14 Years**
- (21) Appl. No.: **29/110,938**
- (22) Filed: **Sep. 16, 1999**
- (51) **LOC (7) Cl.** **08-05**
- (52) **U.S. Cl.** **D8/105; D3/208; D3/210; D8/99; D10/106; D14/167**
- (58) **Field of Search** **D8/105, 26, 99, D8/55, 81, 87; 30/161, 164, 153, 152; 7/118, 125-135, 138, 164, 170; 81/177.1, 177.2, 177.6, 427.5; 70/456 R; D3/208-210; D14/163, 172, 154, 167, 137; D10/106, 104**

- (56) **References Cited**
- U.S. PATENT DOCUMENTS**
- D. 198,909 * 8/1964 Stolarz D3/210
- D. 285,865 * 9/1986 Gamble D3/210
- D. 285,866 * 9/1986 Gamble D3/210
- D. 302,074 * 7/1989 Halasz D3/208
- D. 319,347 * 8/1991 VanLandingham, Jr. et al. ... D3/210
- D. 320,793 * 10/1991 Wingate D14/167
- D. 321,785 * 11/1991 Garrity D3/209
- D. 366,874 * 2/1996 Robinson et al. D14/163
- D. 367,058 * 2/1996 Isonaga D14/172
- D. 370,339 * 6/1996 Pinchuk D3/208
- D. 373,319 * 9/1996 Dziersk D10/106
- D. 377,767 * 2/1997 Doppelt et al. D10/104

- D. 380,896 * 7/1997 Grant D3/208
- D. 385,207 * 10/1997 Urvoy D10/104
- D. 385,208 * 10/1997 Chui D10/104
- D. 392,201 * 3/1998 Chen D10/104
- D. 399,843 * 10/1998 Masamitsu D14/154
- D. 400,879 * 11/1998 Lo D14/167
- D. 411,037 * 6/1999 Chang D3/208
- D. 421,522 * 3/2000 Chang D3/208
- 2,486,180 * 10/1949 Lanet et al. 70/456 R X
- 6,006,562 * 12/1998 Wolter 70/456 R

* cited by examiner

Primary Examiner—Jeffrey Asch

(57) **CLAIM**

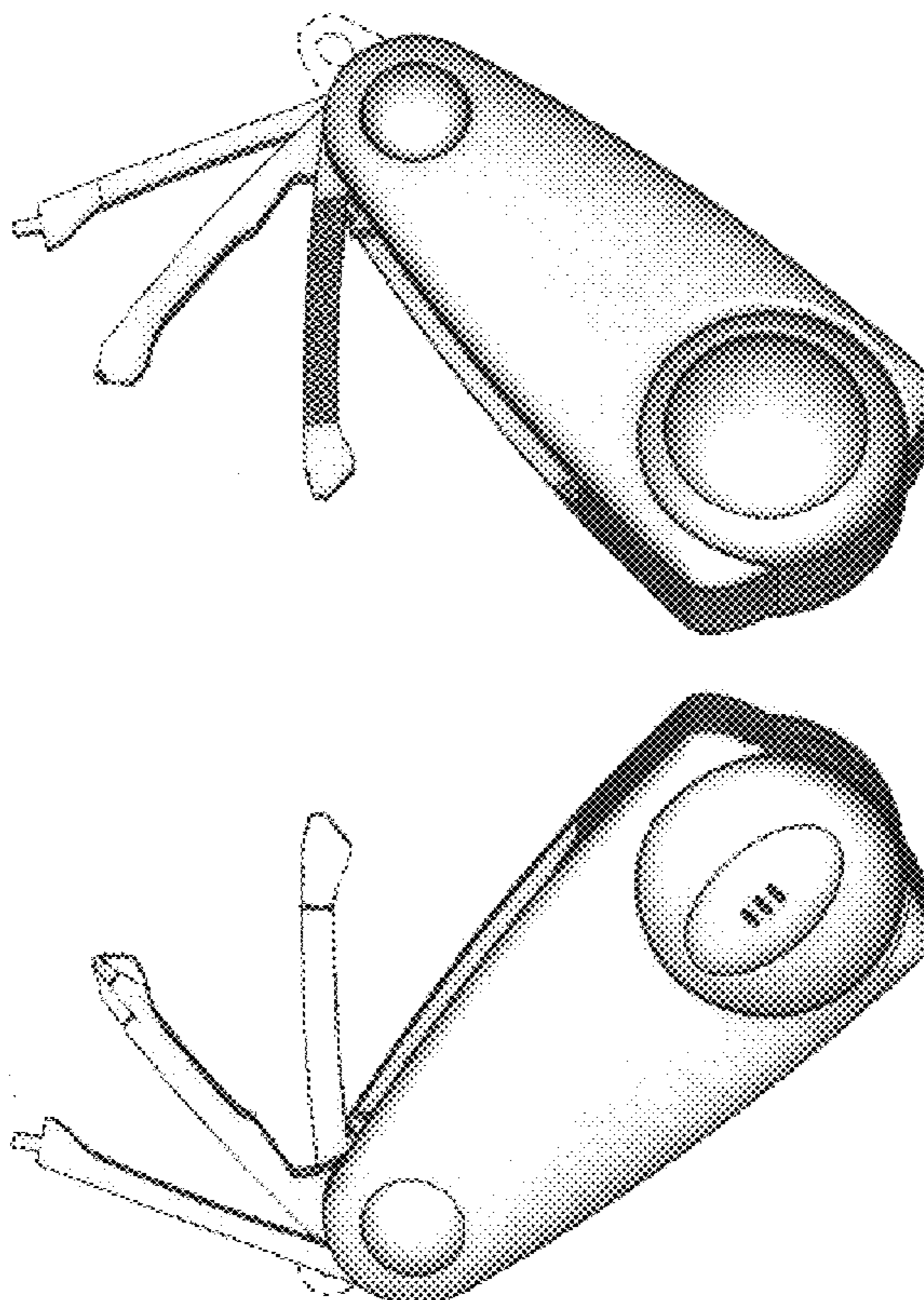
The ornamental design for at least one component of a zytool-keycorder/finder, as shown and described.

DESCRIPTION

FIG. 1 is a top front perspective view of a zytool-keycorder/finder, showing my new design;
 FIG. 2 is a bottom front perspective view thereof;
 FIG. 3 is a front elevation view thereof;
 FIG. 4 is a rear elevation view thereof;
 FIG. 5 is a side elevation view of one side thereof;
 FIG. 6 is a side elevation view of the other side thereof;
 FIG. 7 is a top plan view thereof; and,
 FIG. 8 is a bottom plan view thereof.

The broken line showings throughout the views are for illustrative purposes only and form no part of the claimed design.

1 Claim, 4 Drawing Sheets



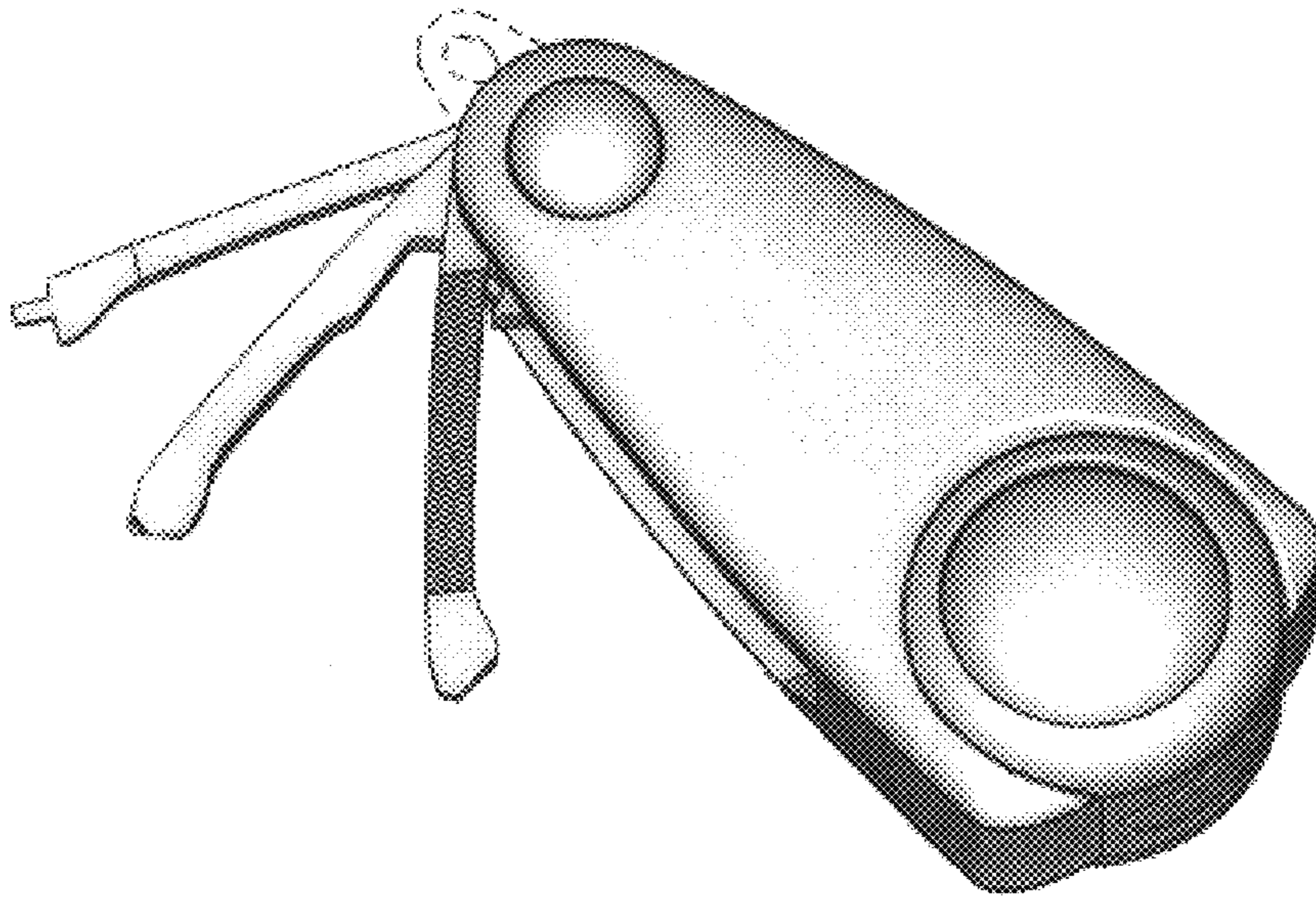


FIG. 1

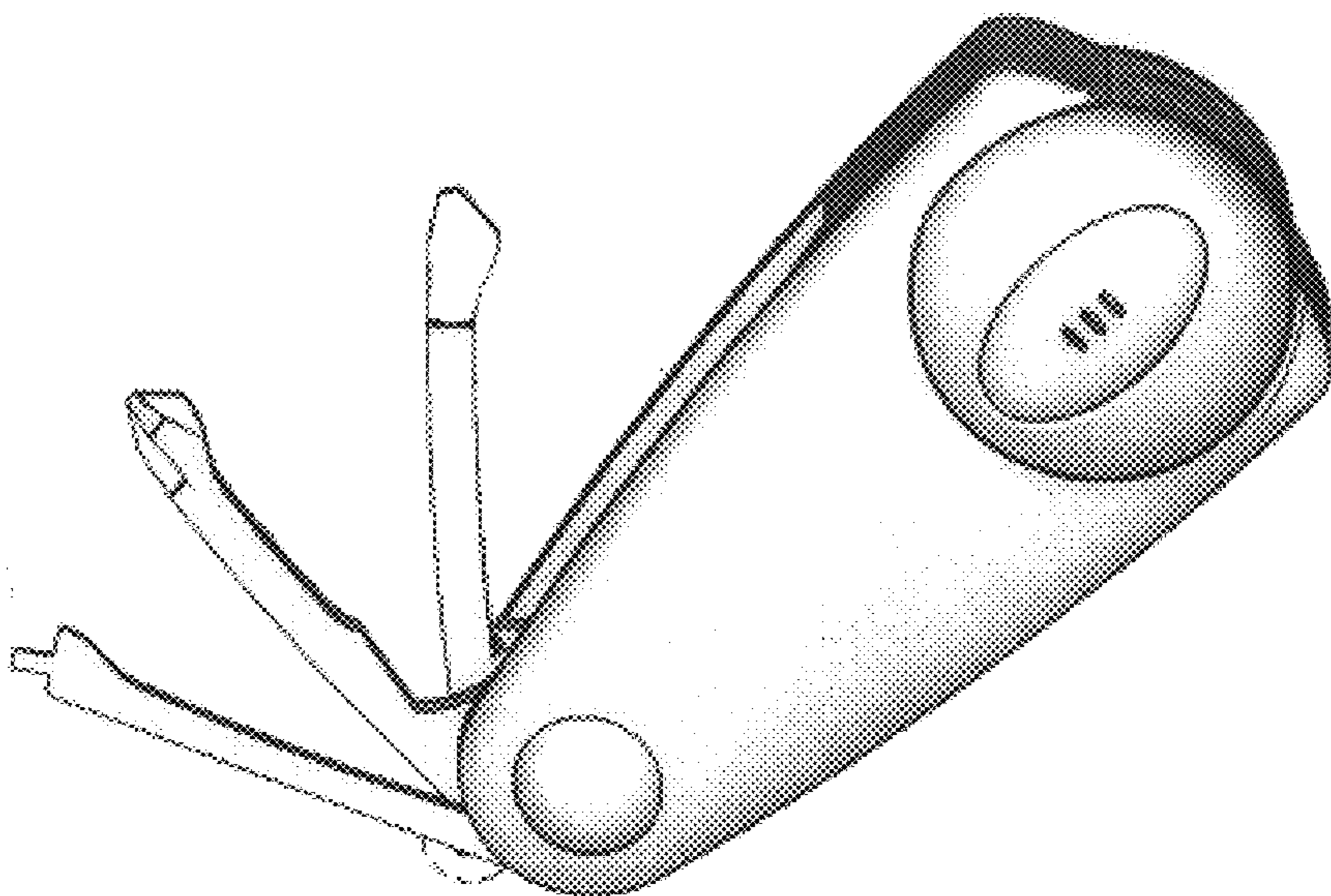


FIG. 2

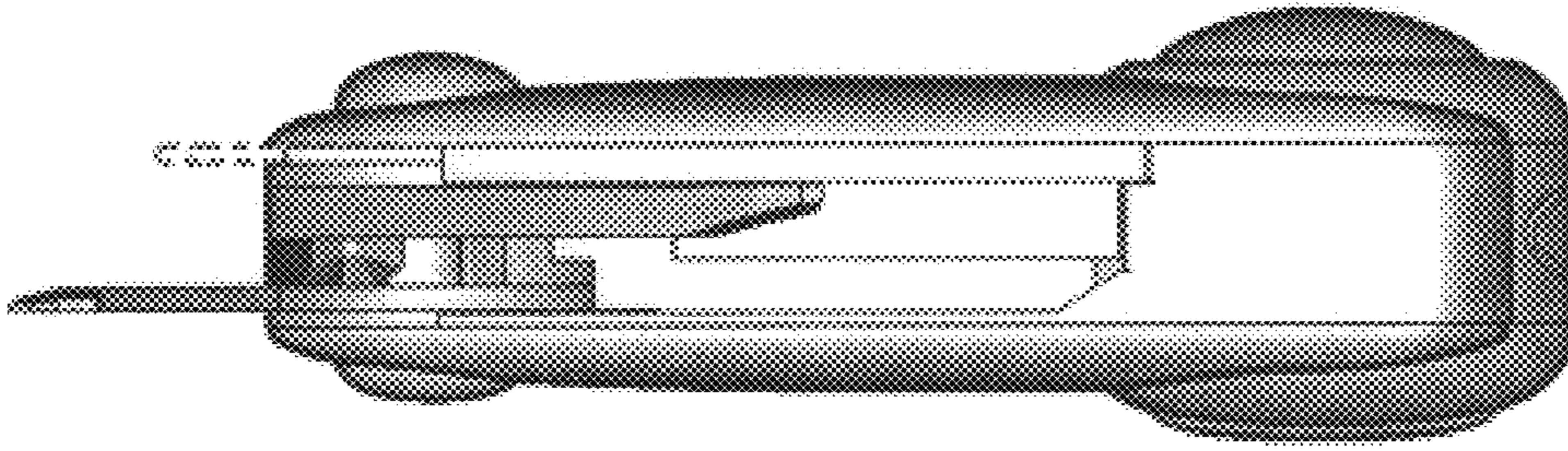


FIG. 3

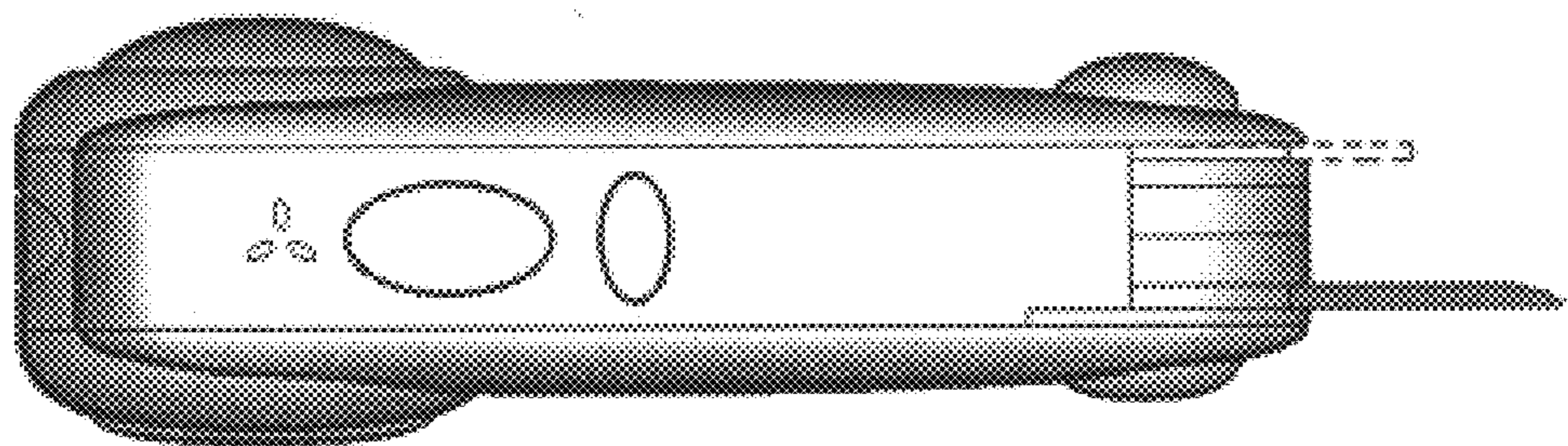


FIG. 4

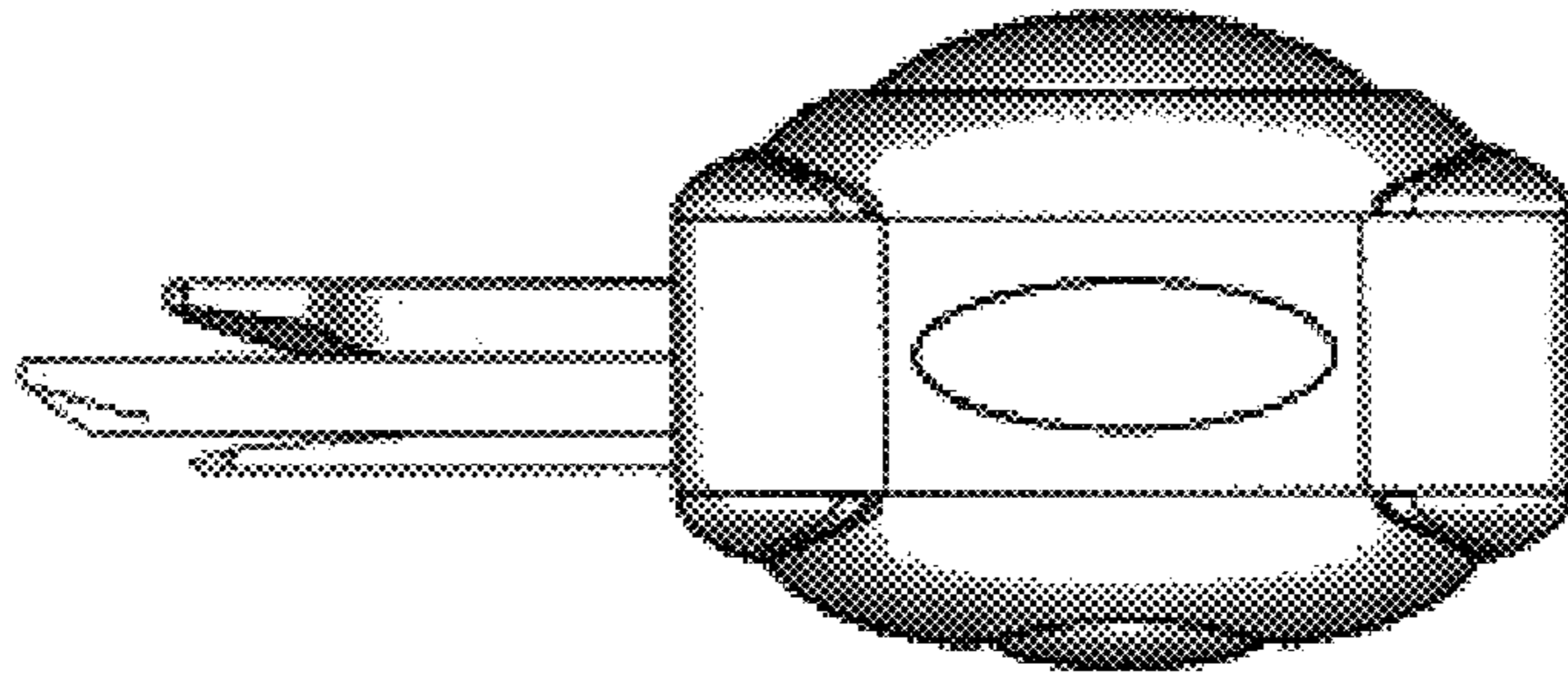


FIG. 5

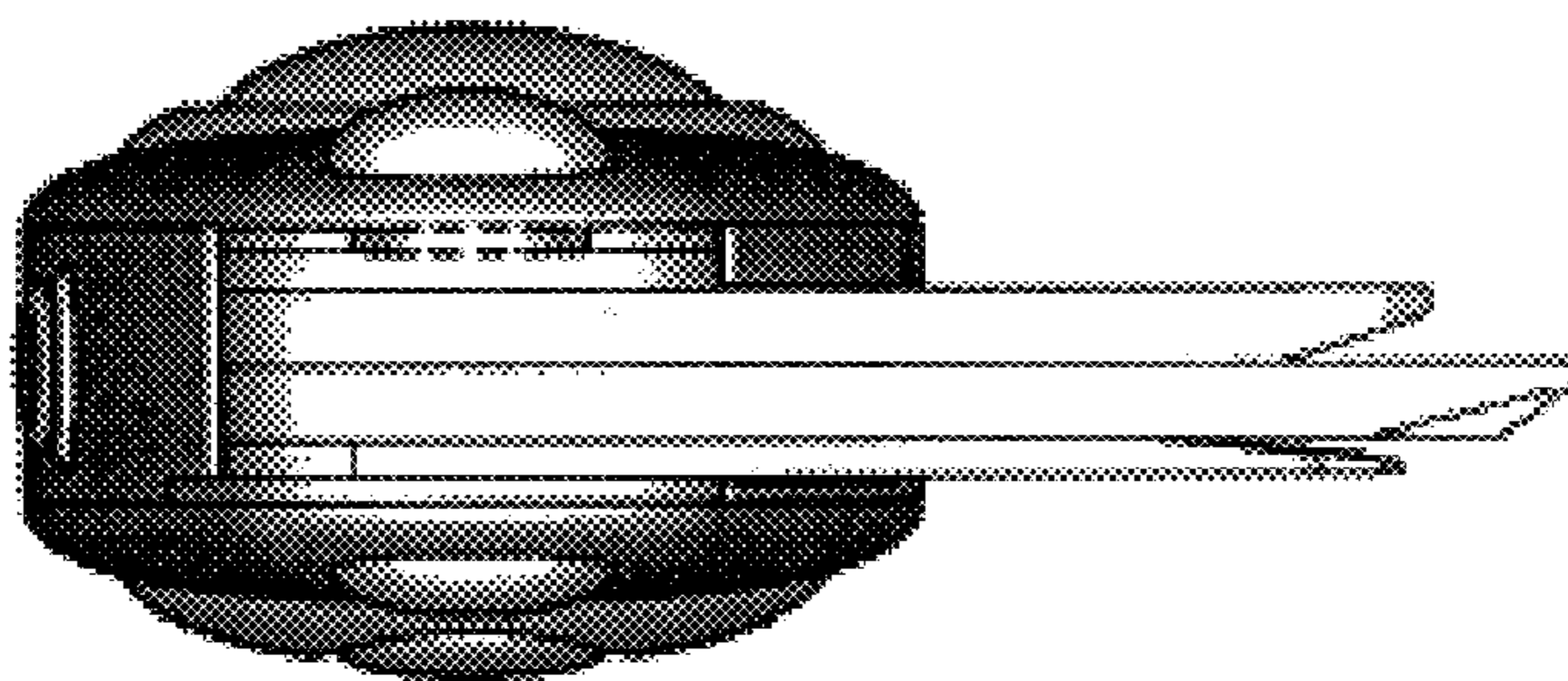


FIG. 6

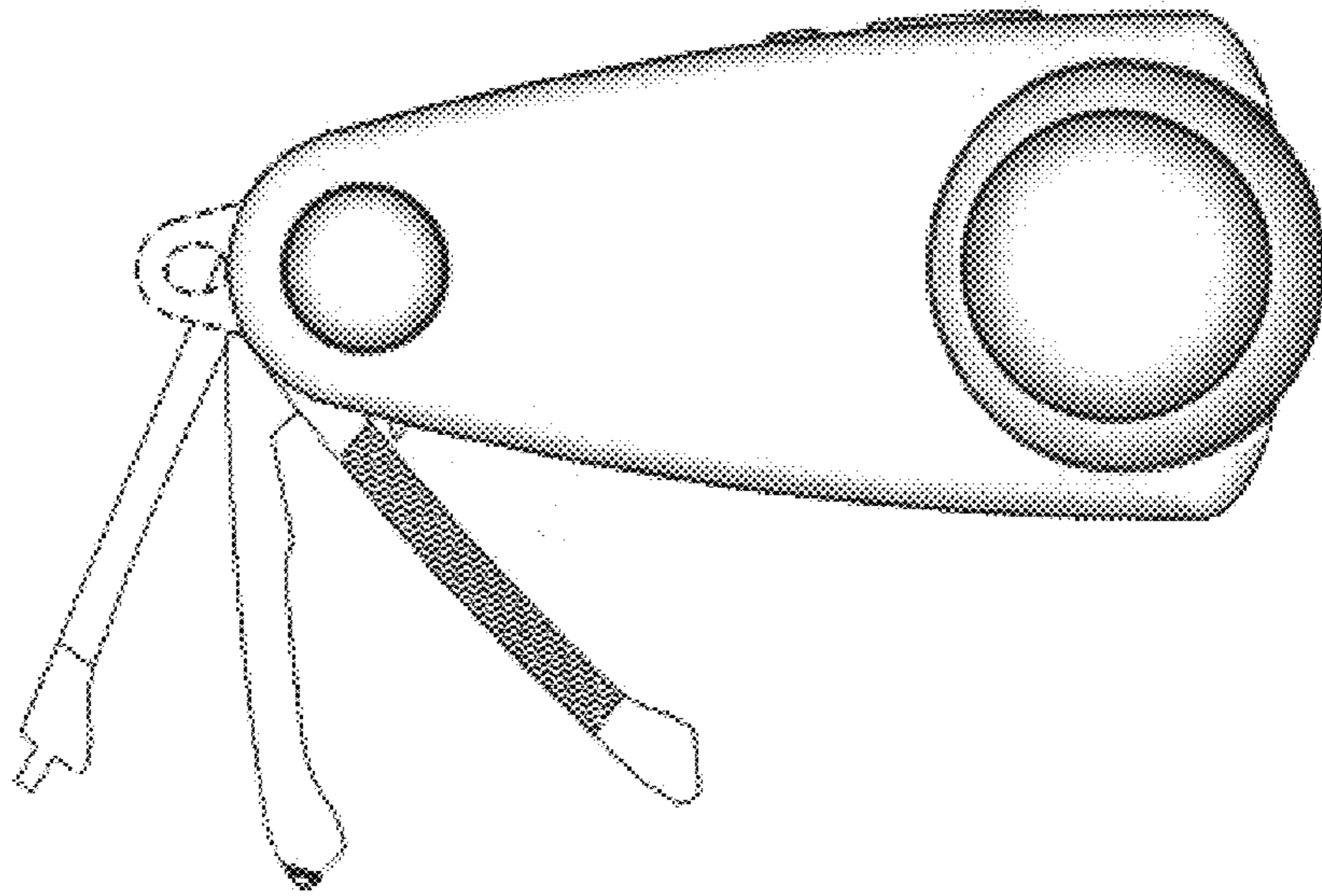


FIG. 7

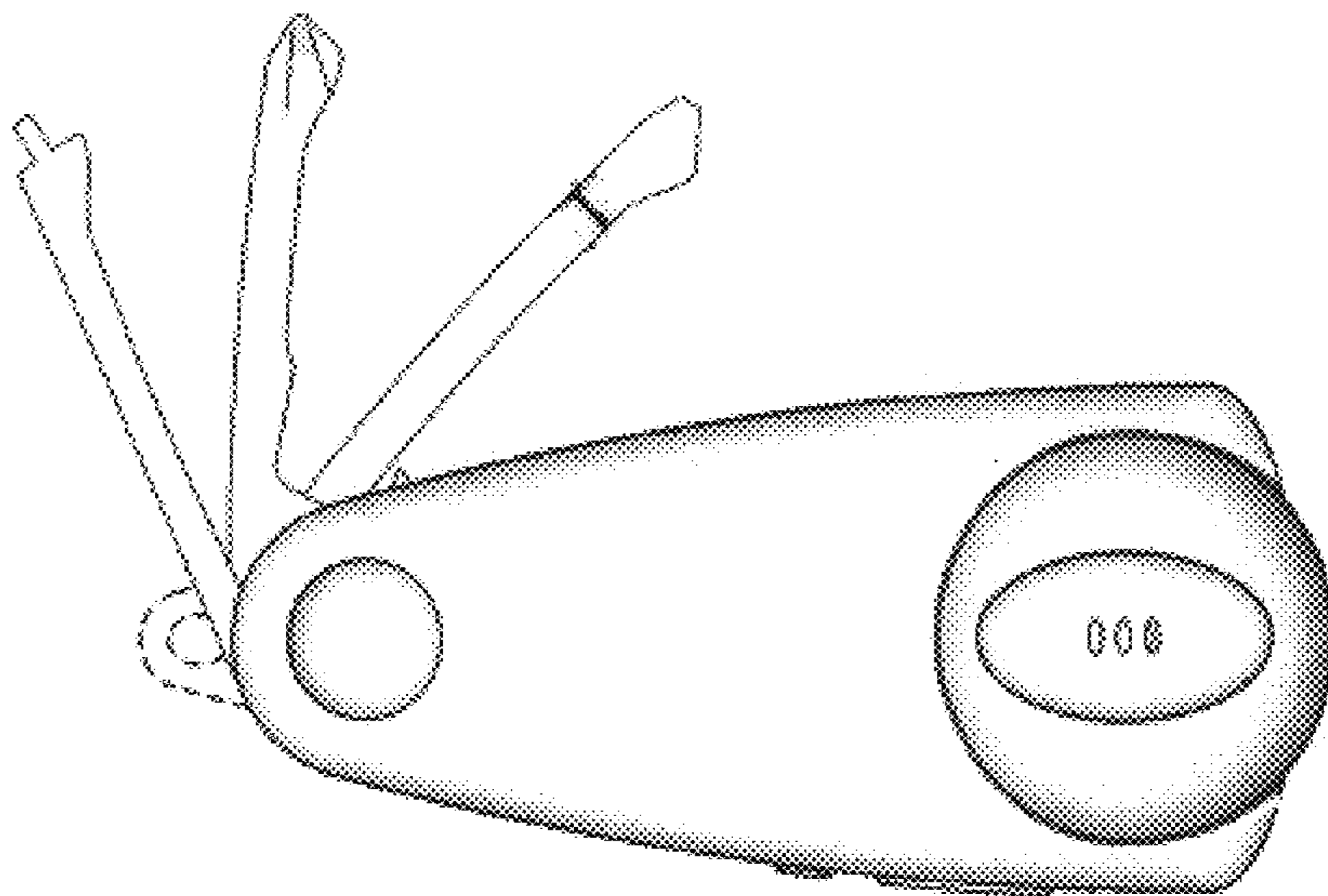


FIG. 8