



US00D446434B1

(12) **United States Design Patent**
Ashbaugh et al.

(10) **Patent No.:** **US D446,434 S**

(45) **Date of Patent:** **** Aug. 14, 2001**

(54) **PNEUMATIC TOOL**

(75) Inventors: **Kurt E. Ashbaugh; John A. McCallops**, both of Easton, PA (US); **Douglas E. Souls**, Hackettstown, NJ (US); **Paul K. Metaxatos**, West Hartford; **Robert H. Bruno**, Avon, both of CT (US)

(73) Assignee: **Ingersoll-Rand Company**, Woodcliff Lake, NJ (US)

(**) Term: **14 Years**

(21) Appl. No.: **29/136,781**

(22) Filed: **Feb. 7, 2001**

(51) **LOC (7) Cl.** **08-01**

(52) **U.S. Cl.** **D8/68**

(58) **Field of Search** D8/61-70; 81/57.11, 81/54, 57.42; 173/170, 217, 216, 48, 168, 169, 213, 221

(56) **References Cited**

U.S. PATENT DOCUMENTS

D. 233,131	*	10/1974	Slany	D8/68
D. 289,004	*	3/1987	Somers	D8/68
D. 296,865	*	7/1988	Roxton	D8/68
D. 298,509	*	11/1988	Brosius et al.	D8/68
D. 303,204	*	9/1989	Marks	D8/51
D. 303,488	*	9/1989	Fonck	D8/68
D. 434,959	*	12/2000	McCallops et al.	D8/68

3,043,274	*	7/1962	Quackenbush	173/221
3,901,631	*	8/1975	Wickham et al.	418/70
4,205,732	*	6/1980	Auerbach et al.	181/230
4,862,972	*	9/1989	Sudinshnikov et al.	173/121
5,533,579	*	7/1996	Chu	173/17
5,913,370	*	6/1999	Chapelle et al.	173/169
5,954,142	*	9/1999	Rahm	173/169
6,161,628	*	12/2000	Liu	173/168

OTHER PUBLICATIONS

Desouter, Inc. catalog, p. 27, (C) 1968, T20 series jig drills.*
ARO catalog p. 36, Model SG023A-26.*
Ramset brochure, 2pp., tool shown therein.*

* cited by examiner

Primary Examiner—Jeffrey Asch

(74) *Attorney, Agent, or Firm*—Leon Nigohosian, Jr.

(57) **CLAIM**

The ornamental design of a pneumatic tool, as shown and described.

DESCRIPTION

FIG. 1 is an isometric view of a pneumatic tool showing our design;

FIG. 2 is a right side view of FIG. 1;

FIG. 3 is a top view of FIG. 1;

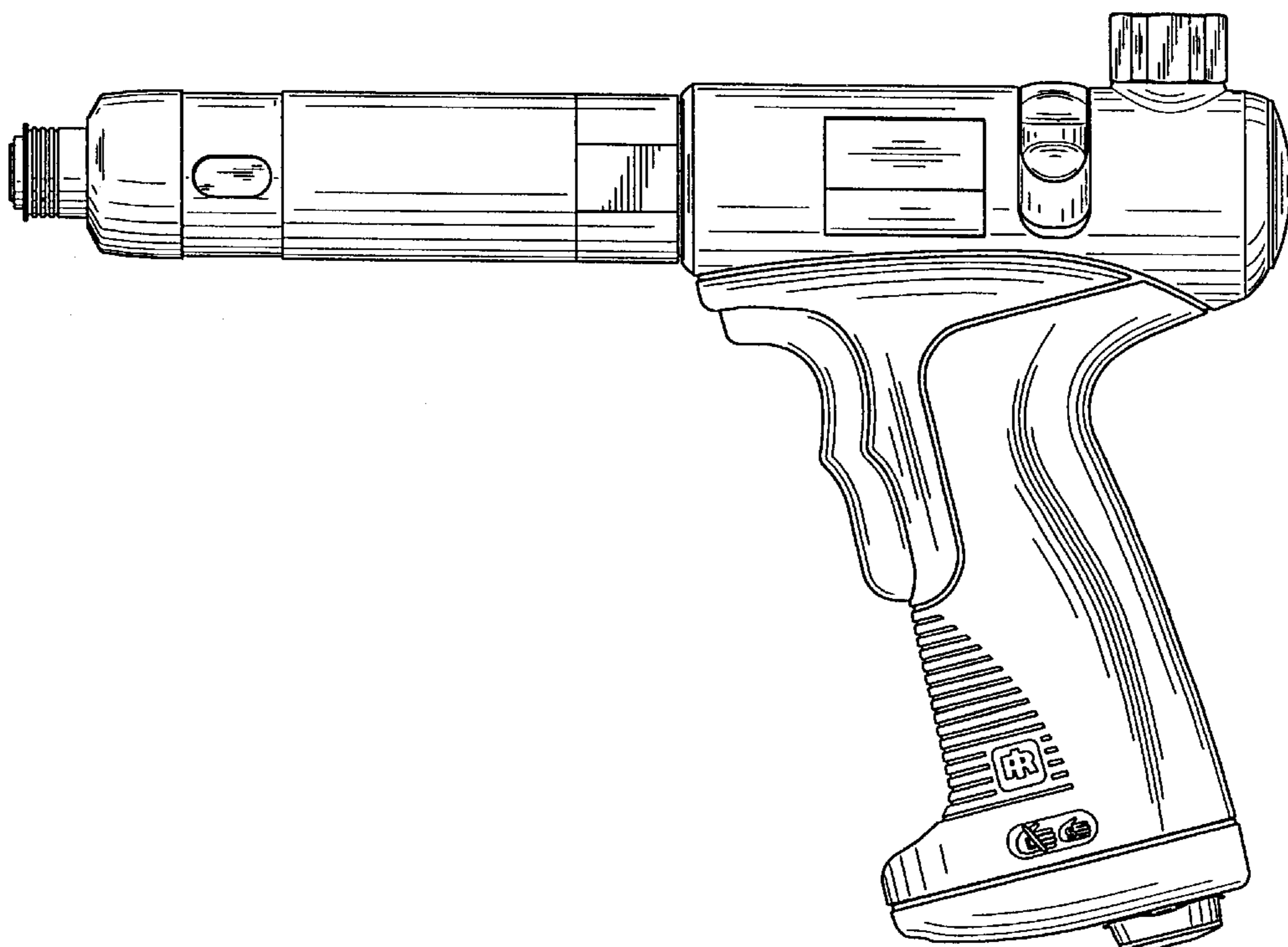
FIG. 4 is a left side view of FIG. 1;

FIG. 5 is a bottom view of FIG. 1;

FIG. 6 is a front view of FIG. 1; and,

FIG. 7 is a rear view of FIG. 1.

1 Claim, 3 Drawing Sheets



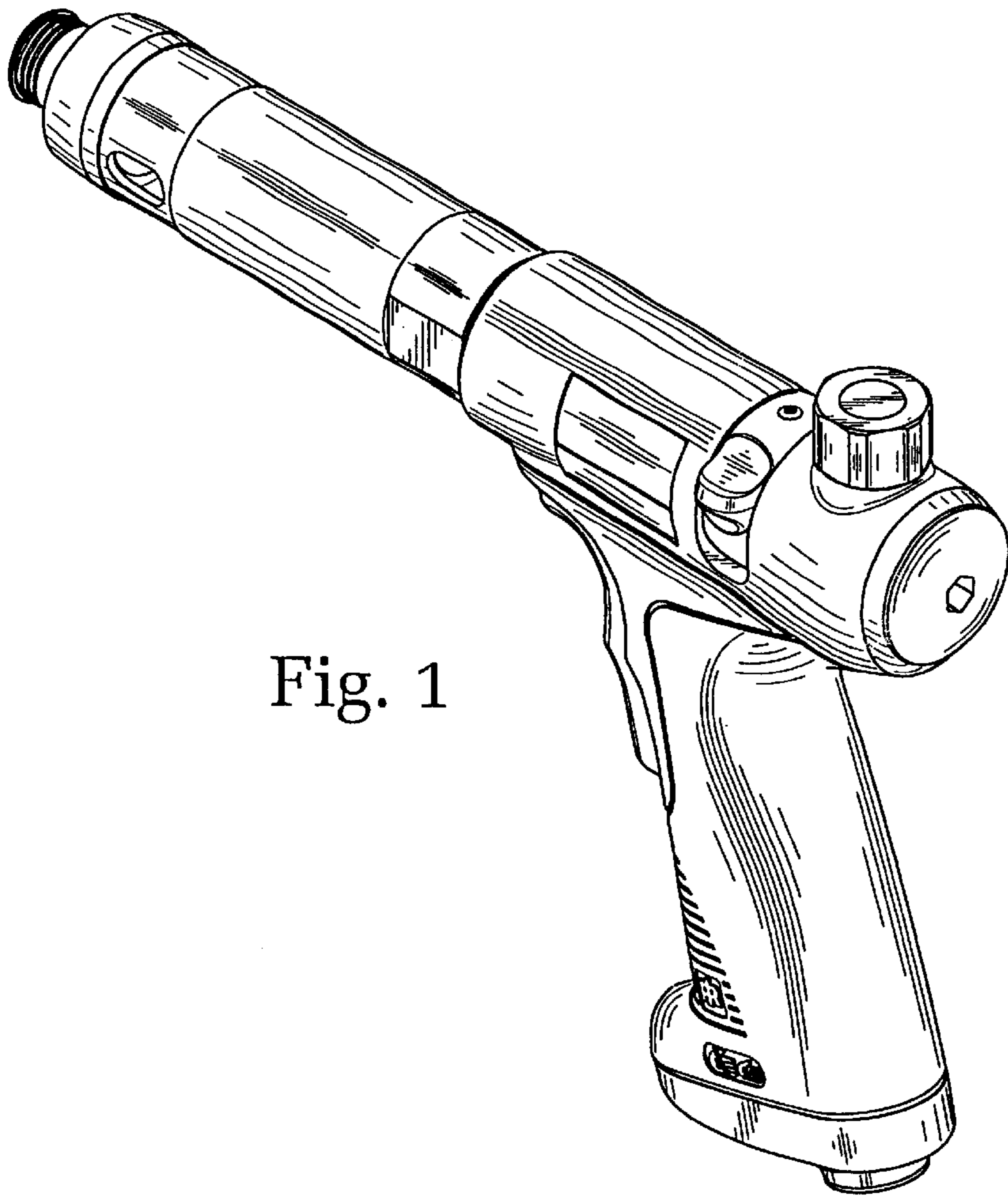


Fig. 1

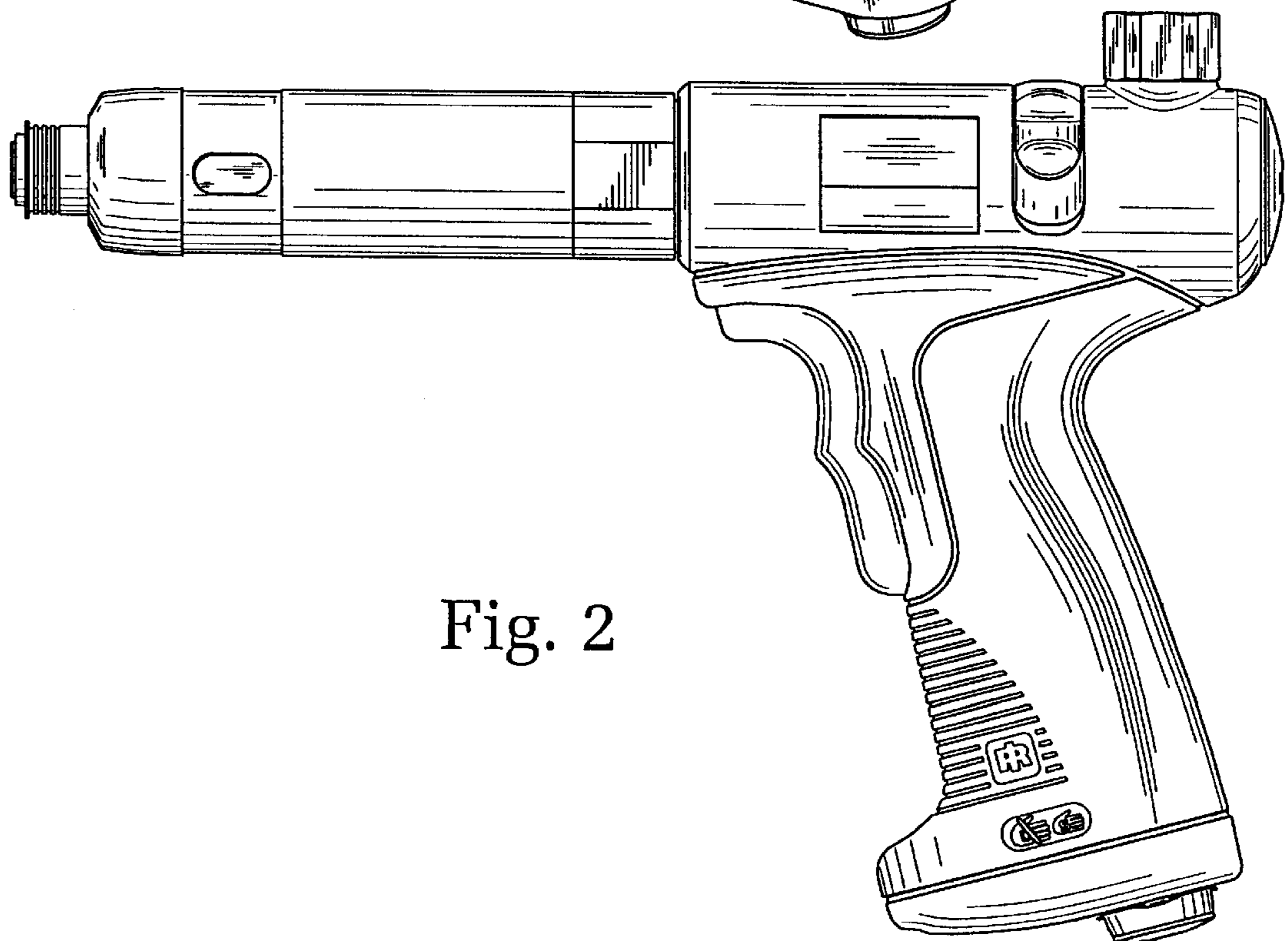


Fig. 2

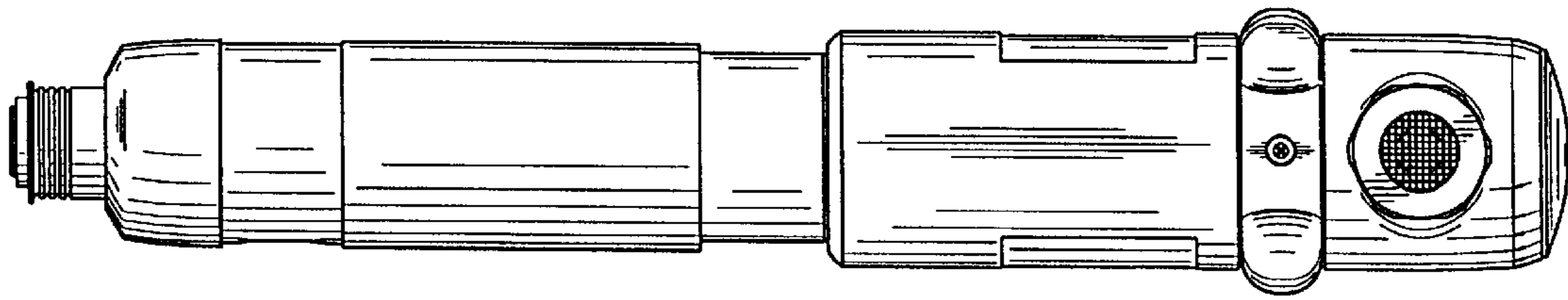


Fig. 3

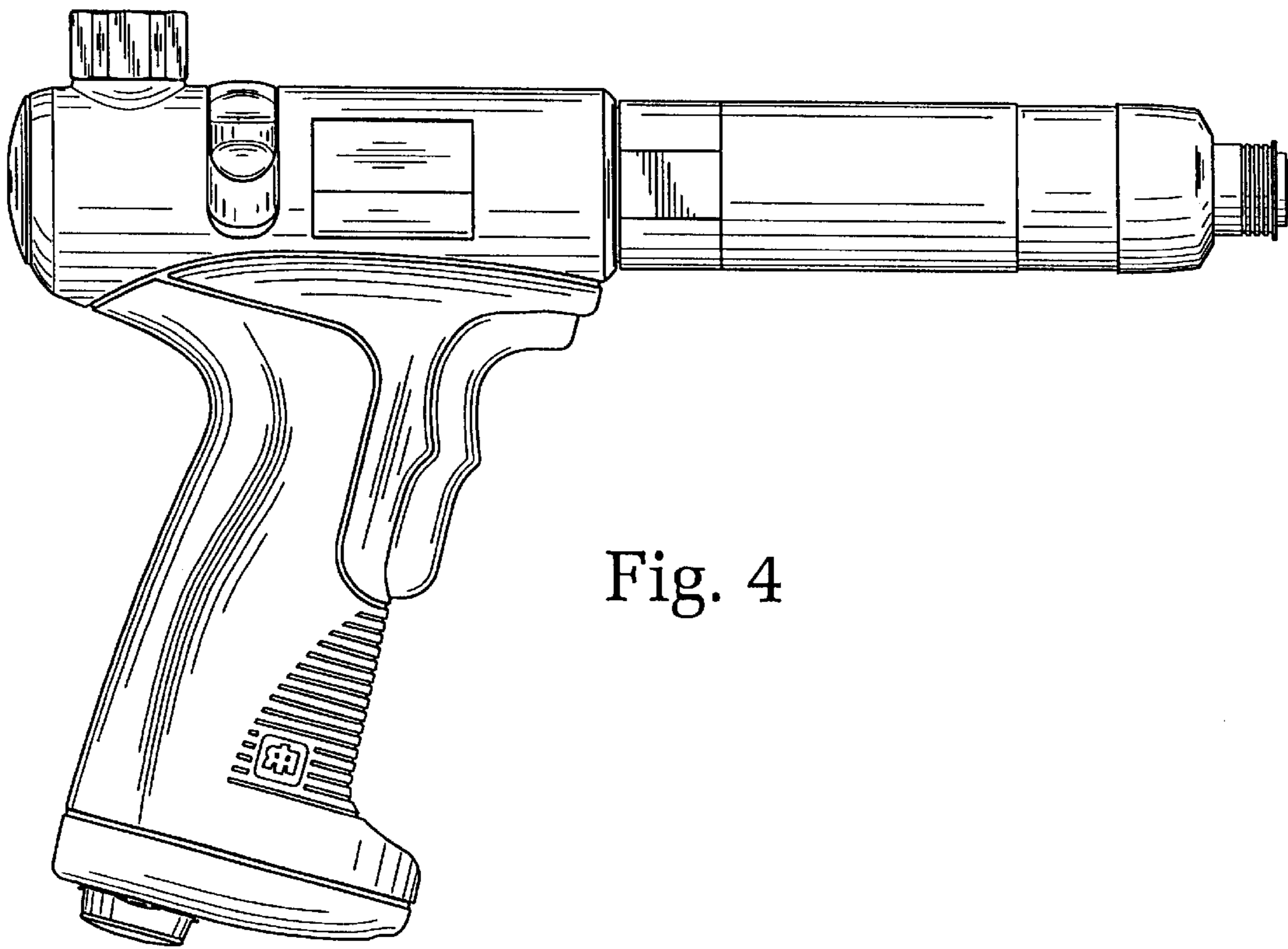


Fig. 4

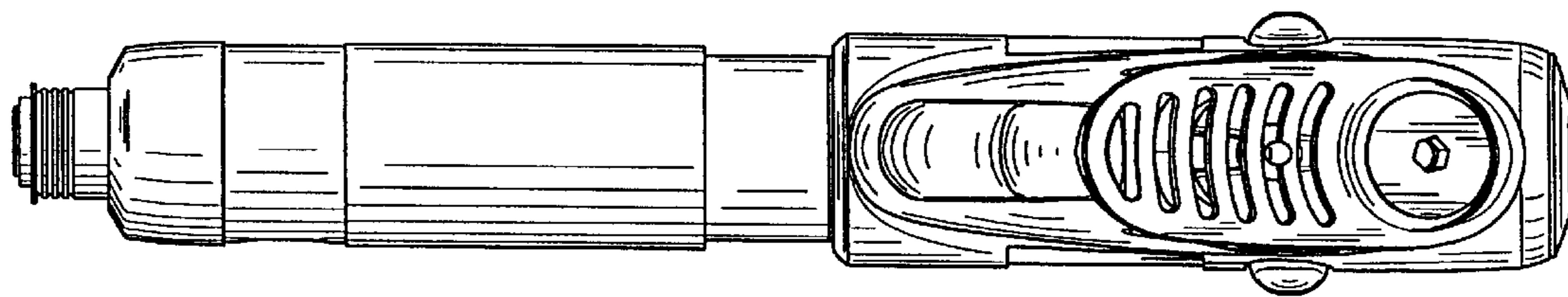


Fig. 5

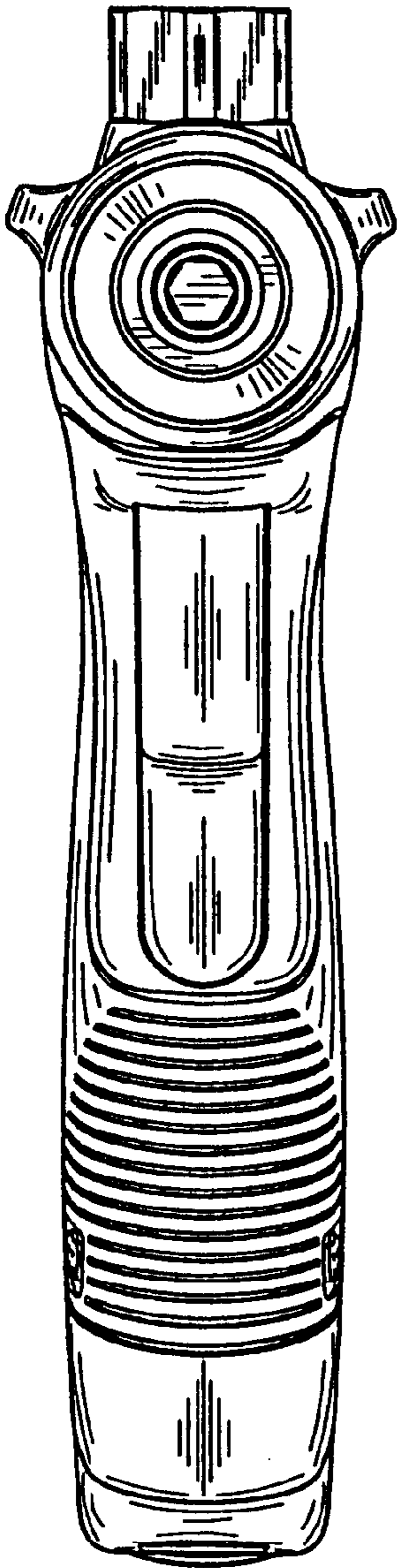


Fig. 6

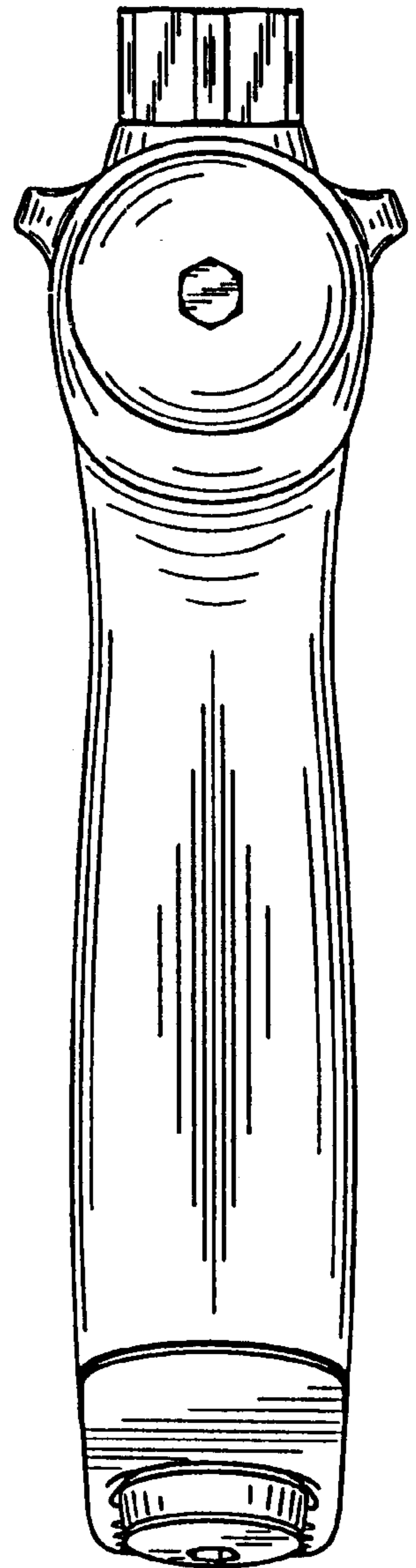


Fig. 7