



US00D446432B1

(12) **United States Design Patent**  
**Heun**

(10) **Patent No.:** **US D446,432 S**

(45) **Date of Patent:** **\*\* Aug. 14, 2001**

(54) **ELECTRIC DRIVING TOOL**

(75) **Inventor:** **Ping Hay Heun, Aberdeen (HK)**

(73) **Assignee:** **Choon Nang Electrical Appliance Mfy., Ltd., Aberdeen (HK)**

(\*\*) **Term:** **14 Years**

(21) **Appl. No.:** **29/130,720**

(22) **Filed:** **Oct. 10, 2000**

(30) **Foreign Application Priority Data**

May 17, 2000 (GB) ..... 2092878

(51) **LOC (7) Cl.** ..... **08-01**

(52) **U.S. Cl.** ..... **D8/61**

(58) **Field of Search** ..... D8/61-70; 81/57.11,  
81/469, 54, 57.42, 474; 173/170, 217, 169,  
164, 213, 216; 408/239 R, 124; 15/3.53;  
451/344, 357-359; 310/50

(56) **References Cited**

**U.S. PATENT DOCUMENTS**

- D. 343,560 \* 1/1994 McCambridge ..... D8/61
- D. 374,159 \* 10/1996 Chiang ..... D8/61
- D. 378,727 \* 4/1997 Kikuchi ..... D8/61
- D. 387,258 \* 12/1997 Kiso ..... D8/62
- D. 404,626 \* 1/1999 Hall et al. .... D8/68

- D. 410,829 \* 6/1999 Heun ..... D8/61
- D. 412,273 \* 7/1999 Chung ..... D8/62
- D. 427,038 \* 6/2000 Lin ..... D8/61
- D. 427,040 \* 6/2000 Heun ..... D8/61
- D. 427,870 \* 7/2000 Heun ..... D8/61
- D. 433,905 \* 11/2000 Cooper ..... D8/61
- D. 437,758 \* 2/2001 Heun ..... D8/61
- 4,878,404 \* 11/1989 Liao ..... 81/54
- 5,765,652 \* 6/1998 Mathis et al. .... 173/217
- 6,126,370 \* 10/2000 Wheeler et al. .... 408/239 R

\* cited by examiner

*Primary Examiner*—Jeffrey Asch

(74) *Attorney, Agent, or Firm*—Leydig, Voit & Mayer, Ltd.

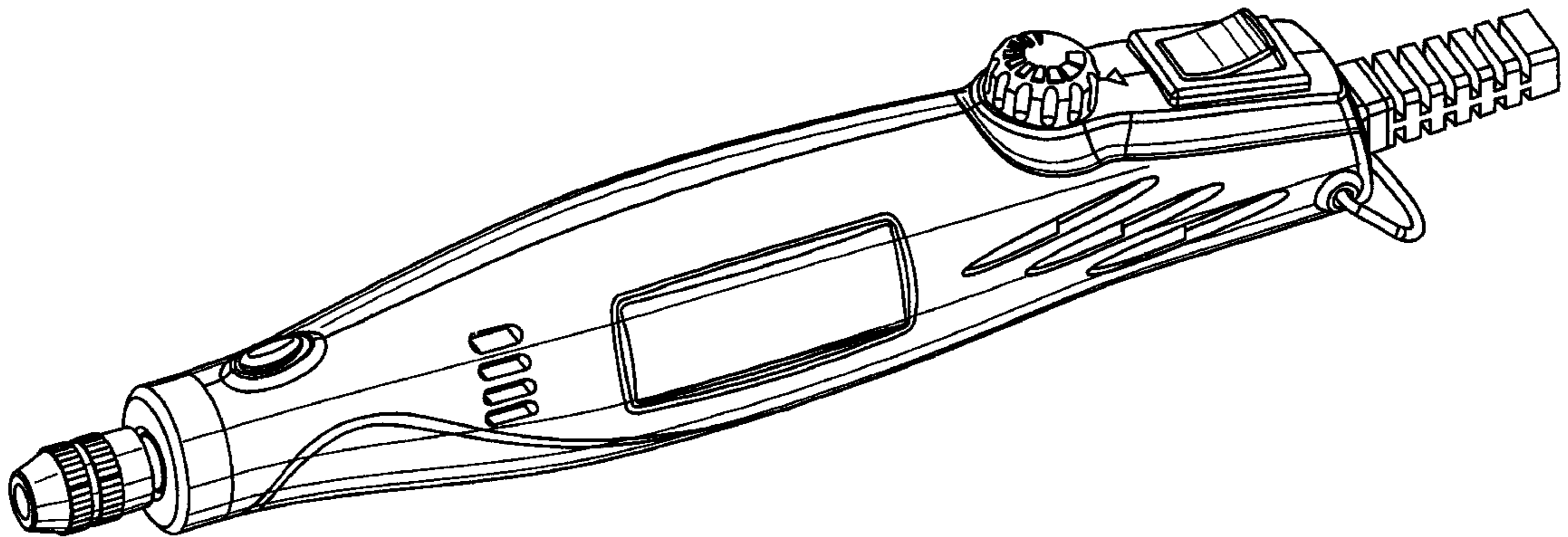
(57) **CLAIM**

The ornamental design for an electric driving tool, as shown and described.

**DESCRIPTION**

FIG. 1 is a top and left side perspective view of an electric driving tool showing my new design;  
FIG. 2 is a front end elevational view thereof;  
FIG. 3 is a rear end elevational view thereof;  
FIG. 4 is a left side elevational view thereof;  
FIG. 5 is a right side elevational view thereof;  
FIG. 6 is a top plan view thereof; and,  
FIG. 7 is a bottom plan view thereof.

**1 Claim, 3 Drawing Sheets**



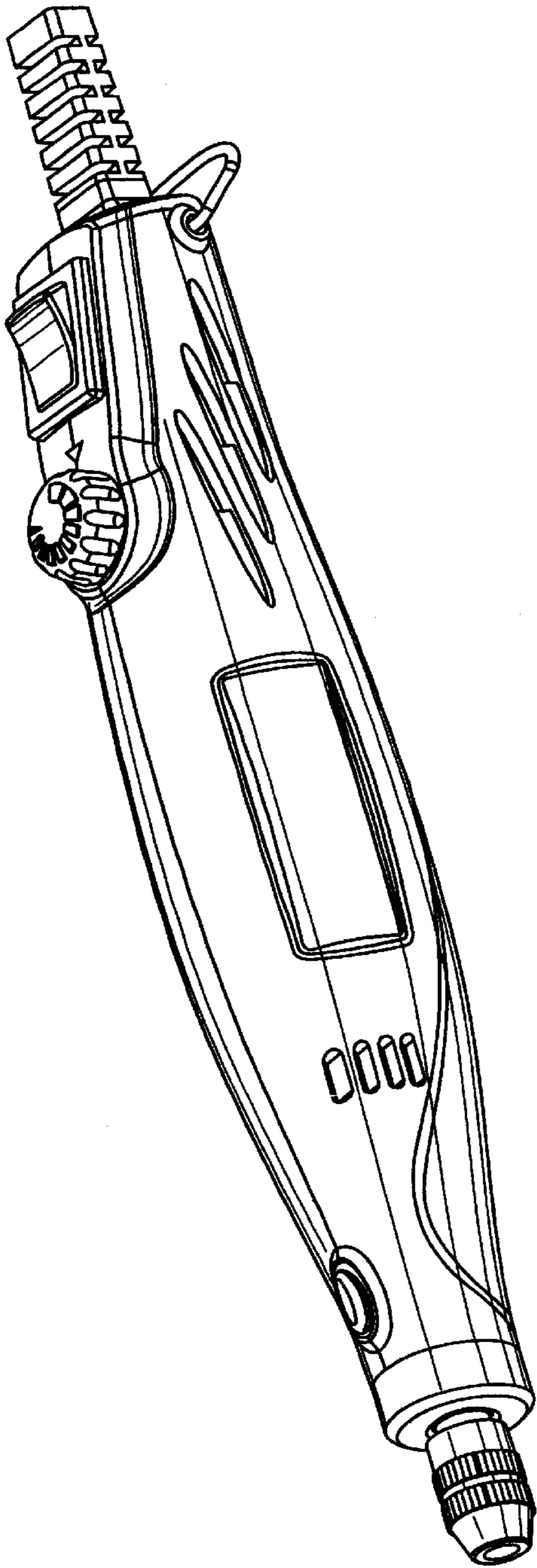


FIG. 1

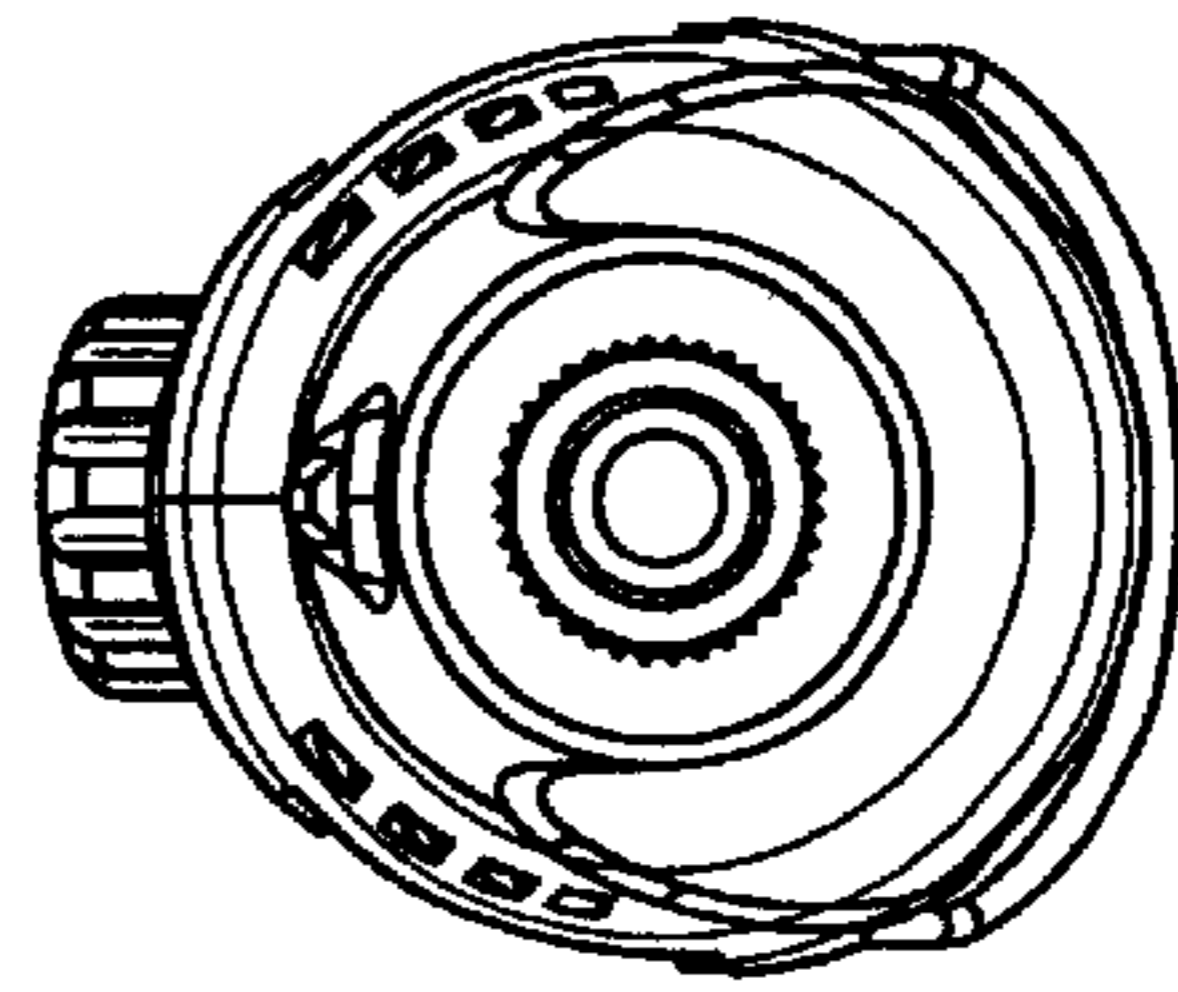


FIG. 2

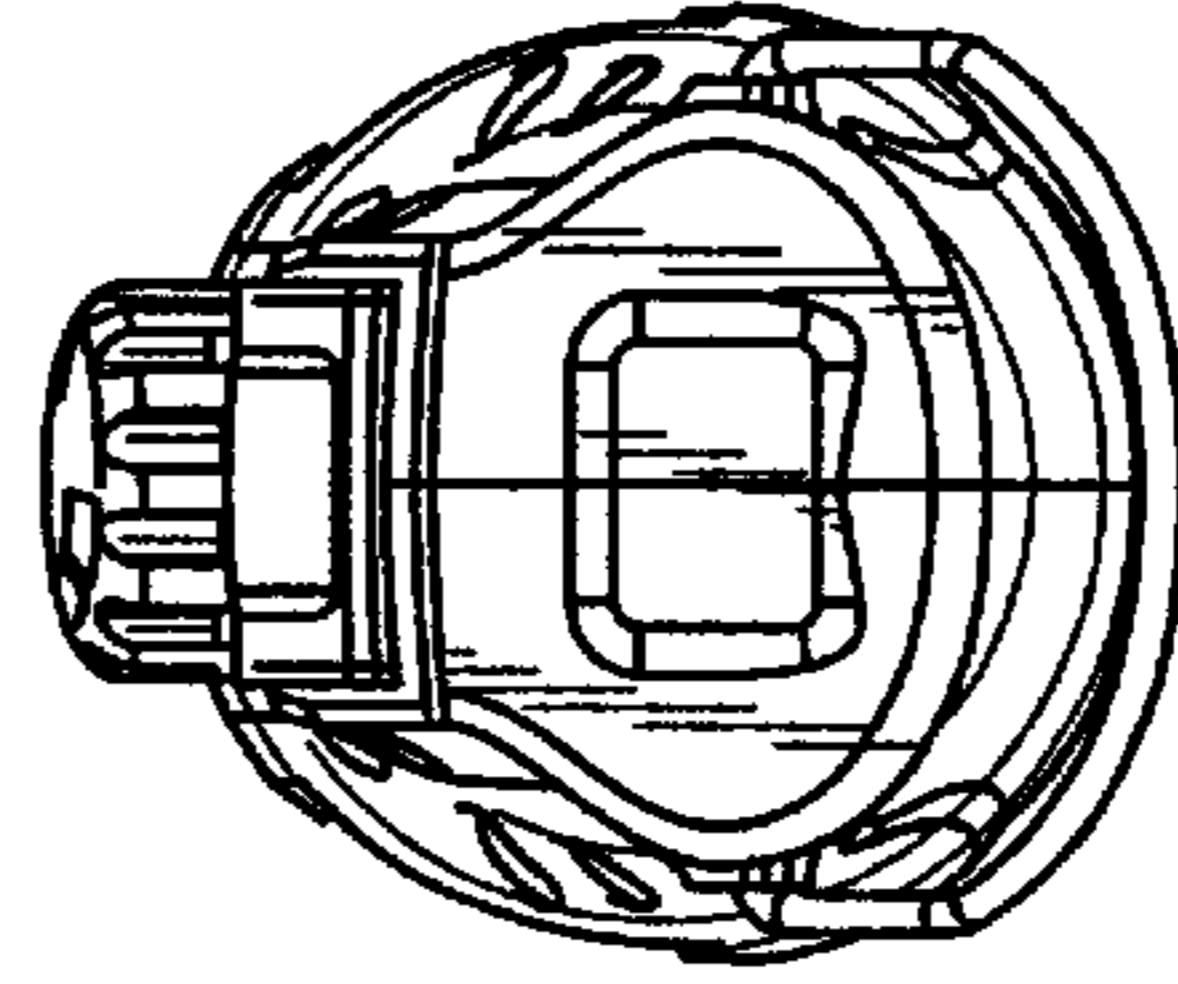


FIG. 3

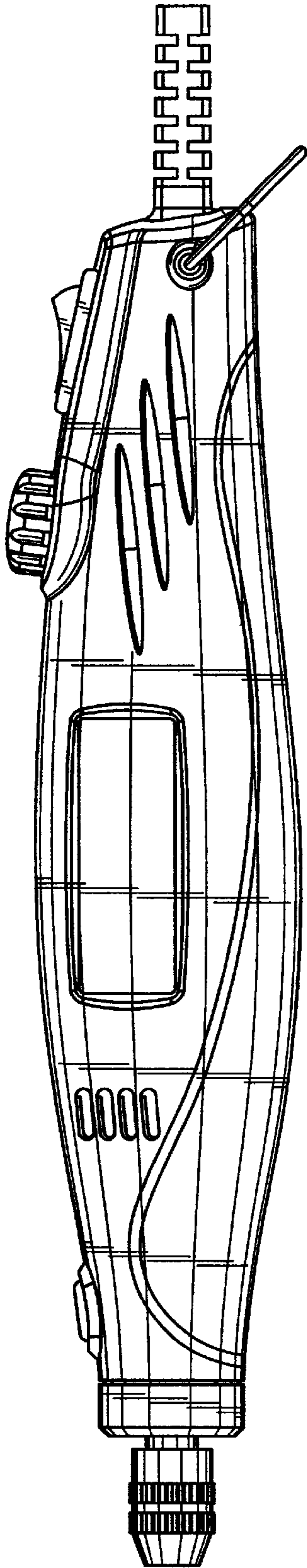


FIG. 4

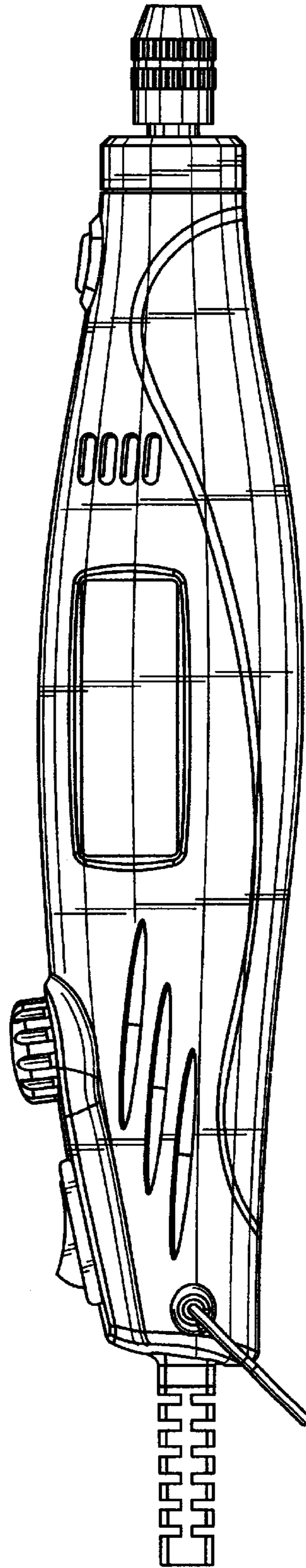


FIG. 5

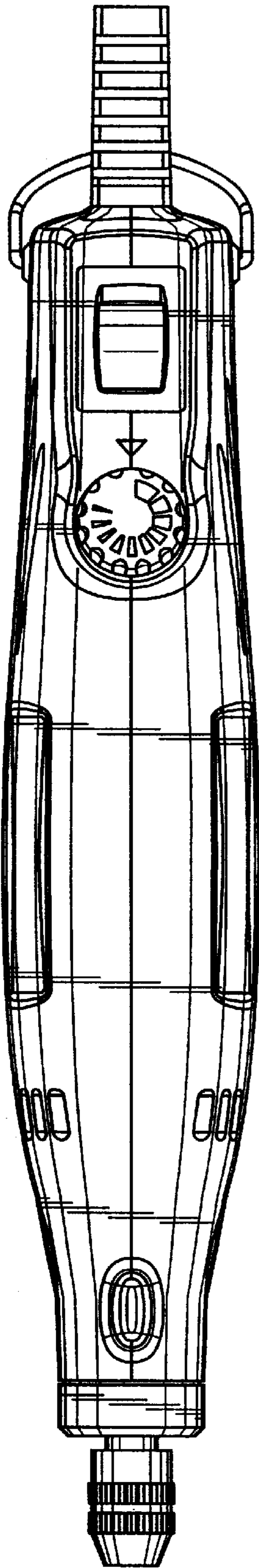


FIG. 6

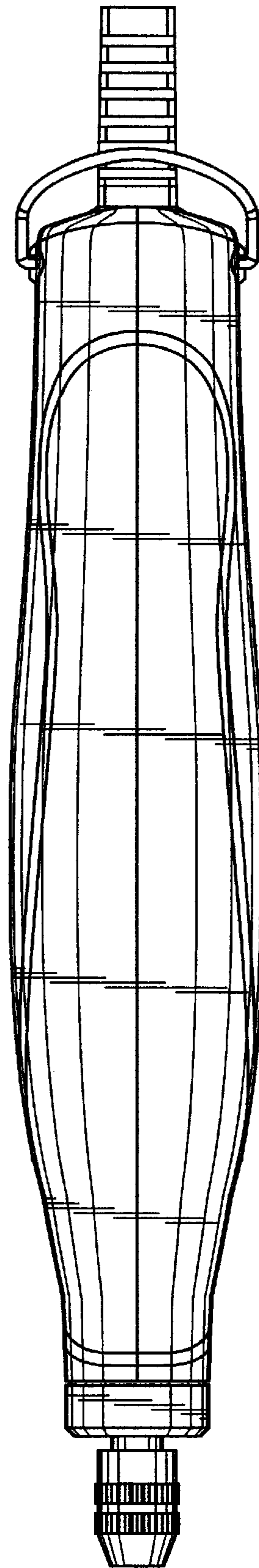


FIG. 7