



US00D446431B1

(12) **United States Design Patent**
Lui

(10) **Patent No.:** **US D446,431 S**

(45) **Date of Patent:** **** Aug. 14, 2001**

(54) **ELECTRIC DRIVING TOOL**

(75) **Inventor:** **Tat Nin Lui, Aberdeen (HK)**

(73) **Assignee:** **Choon Nang Electrical Appliance Mfy., Ltd., Aberdeen (HK)**

(**) **Term:** **14 Years**

(21) **Appl. No.:** **29/130,719**

(22) **Filed:** **Oct. 10, 2000**

(30) **Foreign Application Priority Data**

May 17, 2000 (GB) 2092879

(51) **LOC (7) Cl.** **08-01**

(52) **U.S. Cl.** **D8/61**

(58) **Field of Search** D8/61-70; 81/57.11, 81/54, 57.42; 173/170, 217, 169, 164, 213, 216; 408/239 R, 124; 15/3.53; 451/344, 357-359; 310/50

(56) **References Cited**

U.S. PATENT DOCUMENTS

- D. 343,560 * 1/1994 McCambridge D8/61
- D. 374,159 * 10/1996 Chiang D8/61
- D. 378,727 * 4/1997 Kikuchi D8/61
- D. 387,258 * 12/1997 Kiso D8/62
- D. 404,626 * 1/1999 Hall et al. D8/68

- D. 410,829 * 6/1999 Heun D8/61
- D. 412,273 * 7/1999 Chung D8/62
- D. 427,038 * 6/2000 Lin D8/61
- D. 427,040 * 6/2000 Heun D8/61
- D. 427,870 * 7/2000 Heun D8/61
- D. 433,905 * 11/2000 Cooper D8/61
- D. 437,758 * 2/2001 Heun D8/61
- 4,878,404 * 11/1989 Liao 81/54
- 5,765,652 * 6/1998 Mathis et al. 173/217
- 6,126,370 * 10/2000 Wheeler et al. 408/239 R

* cited by examiner

Primary Examiner—Jeffrey Asch

(74) *Attorney, Agent, or Firm*—Leydig, Voit & Mayer, Ltd.

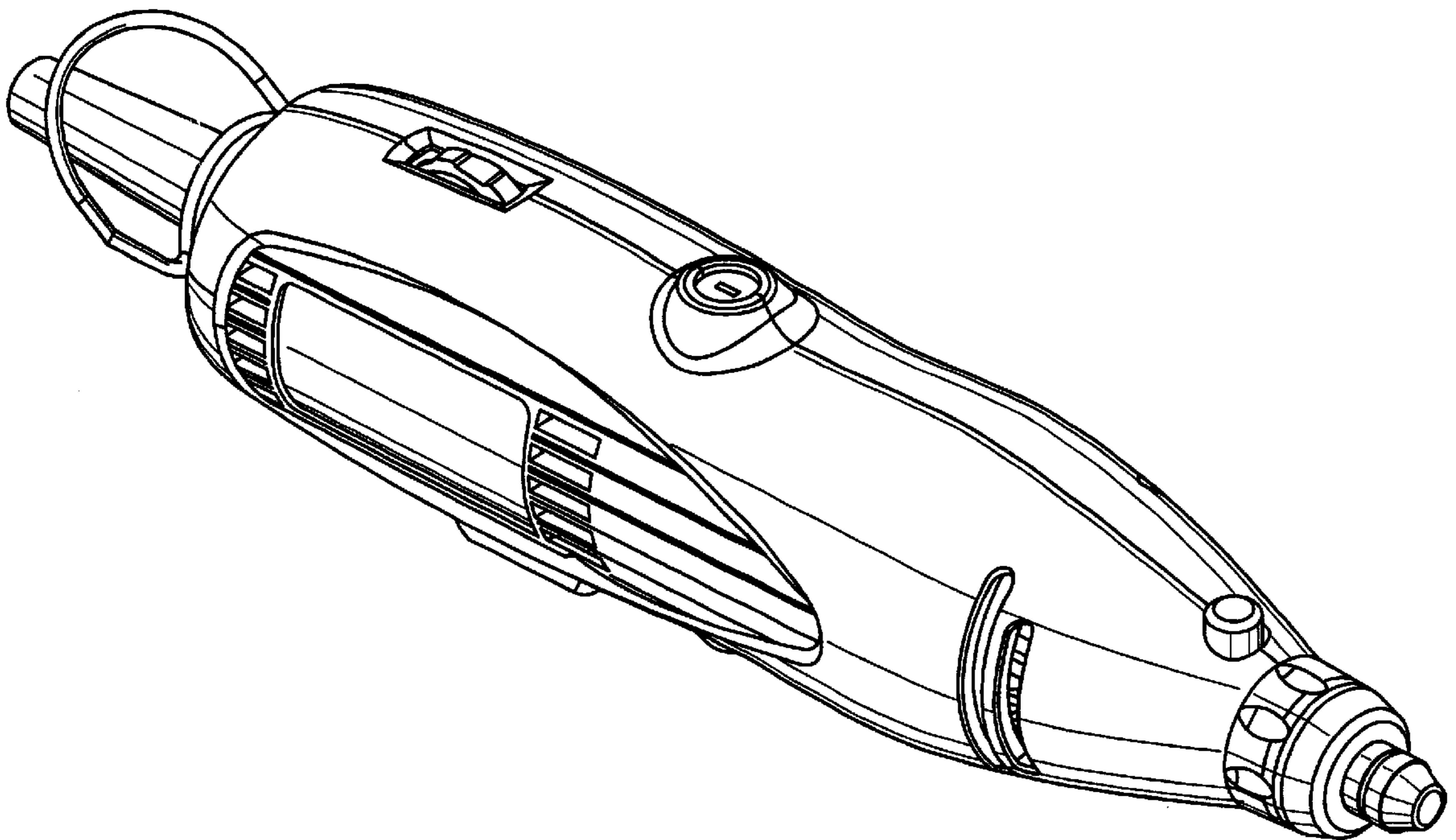
(57) **CLAIM**

The ornamental design for an electric driving tool, as shown and described.

DESCRIPTION

FIG. 1 is a top and right side perspective view of an electric driving tool showing my new design;
 FIG. 2 is a front end elevational view thereof;
 FIG. 3 is a rear end elevational view thereof;
 FIG. 4 is a right side elevational view thereof;
 FIG. 5 is a left side elevational view thereof;
 FIG. 6 is a top plan view thereof; and,
 FIG. 7 is a bottom plan view thereof.

1 Claim, 3 Drawing Sheets



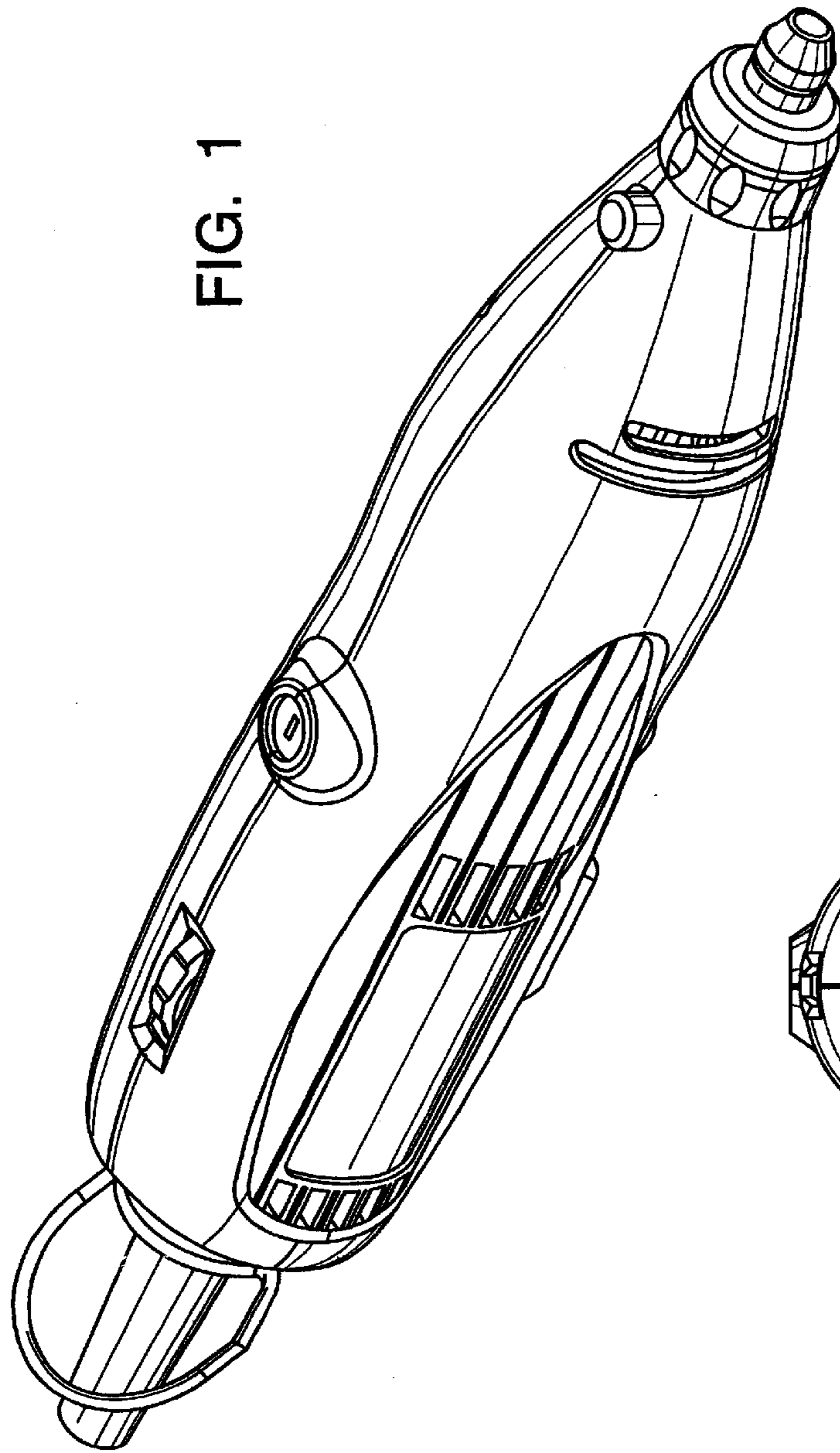


FIG. 1

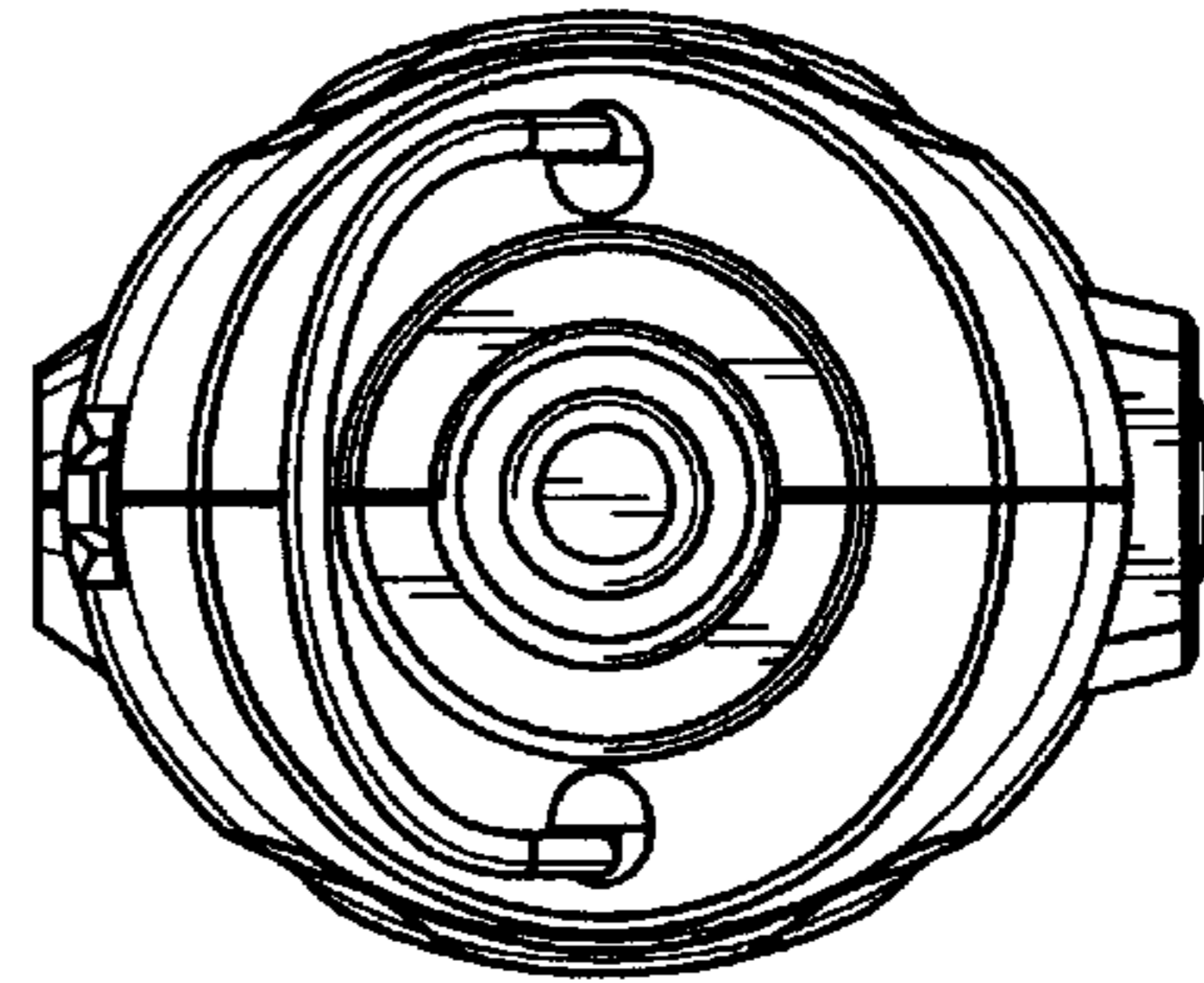


FIG. 3

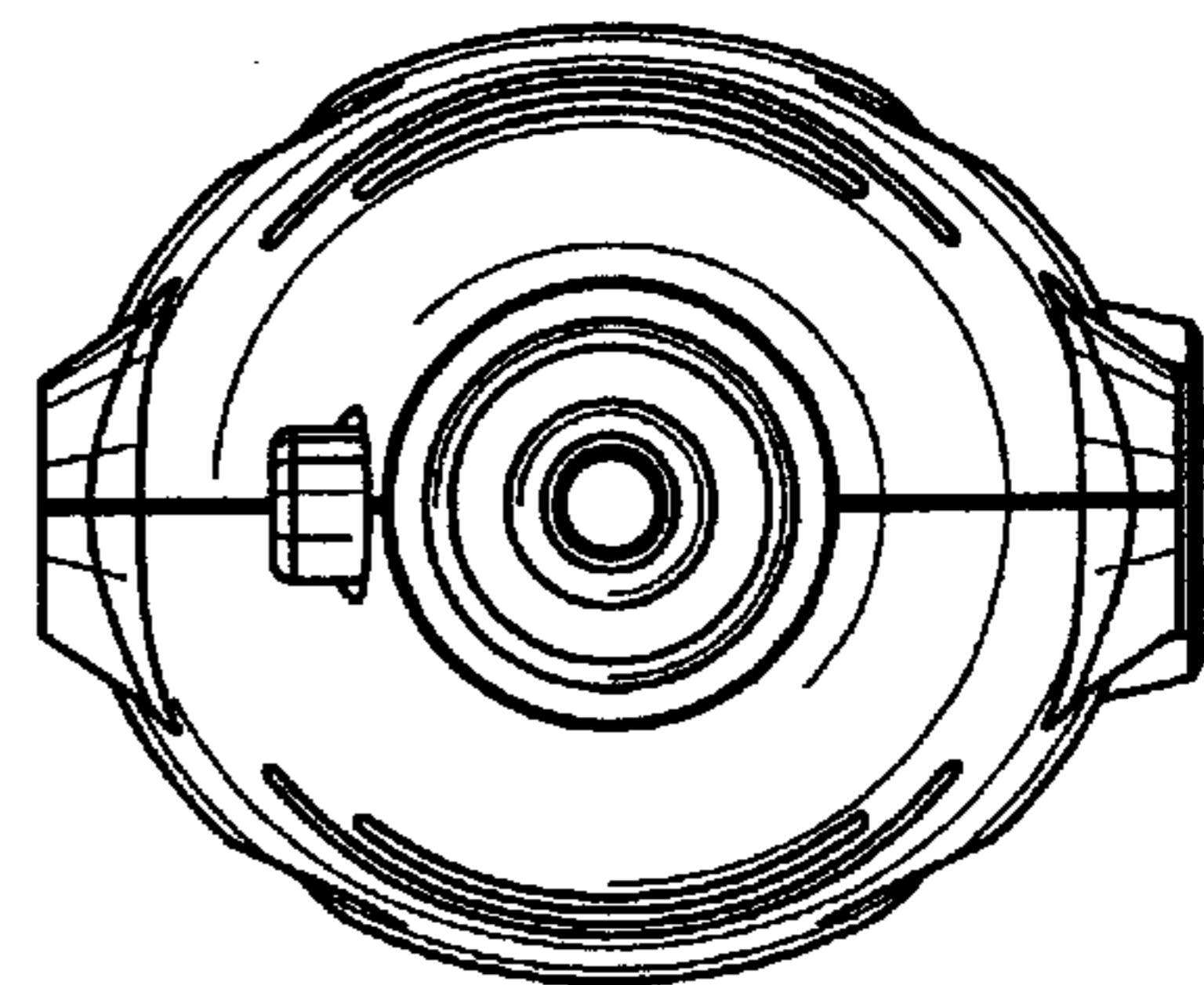


FIG. 2

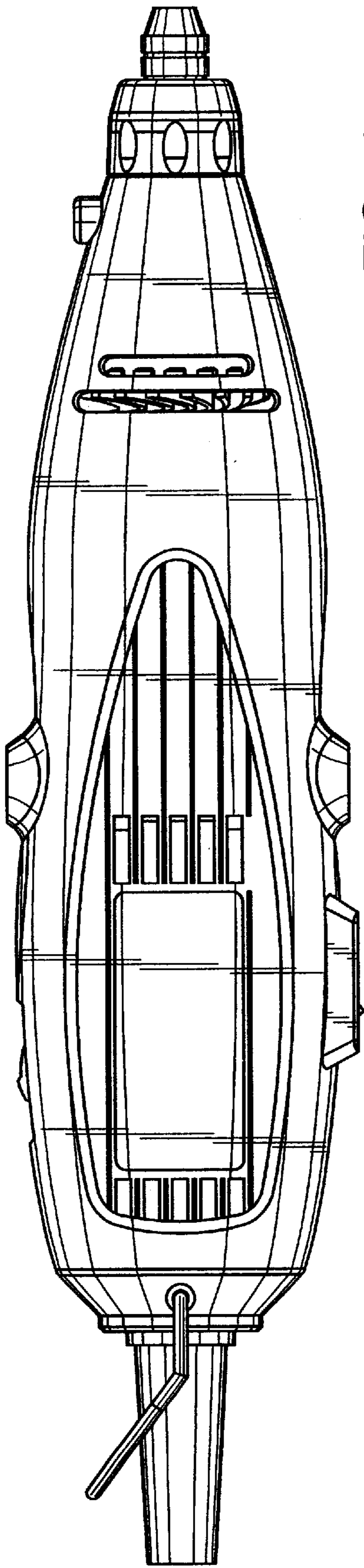


FIG. 4

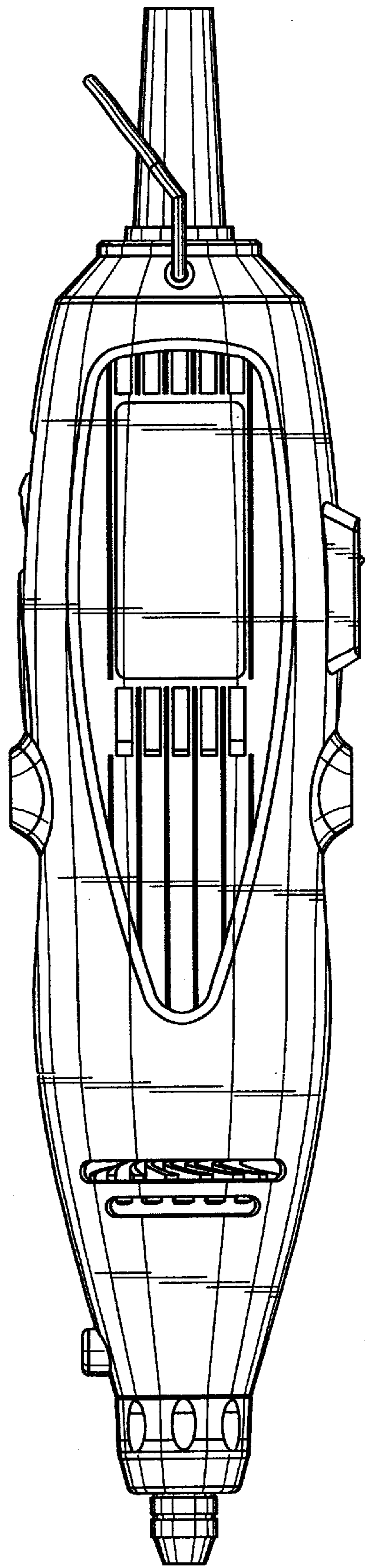


FIG. 5

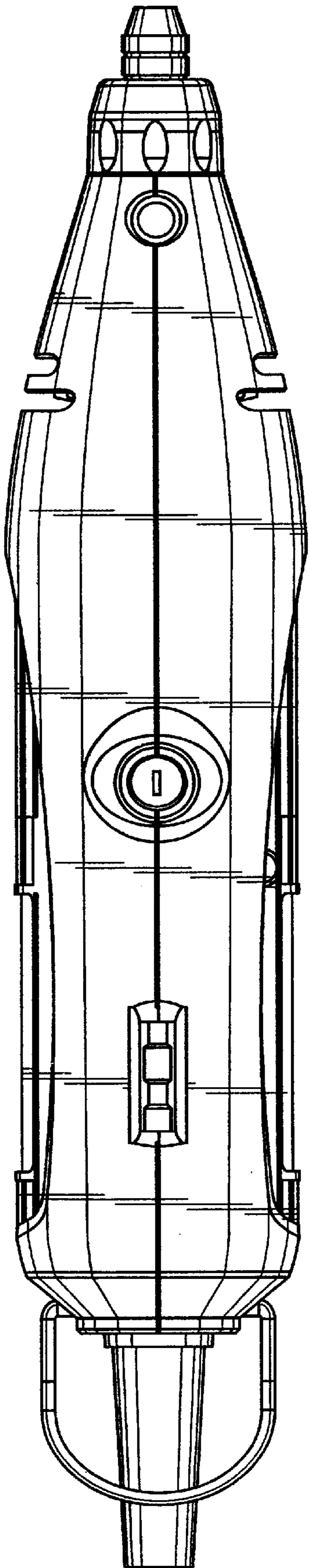


FIG. 6

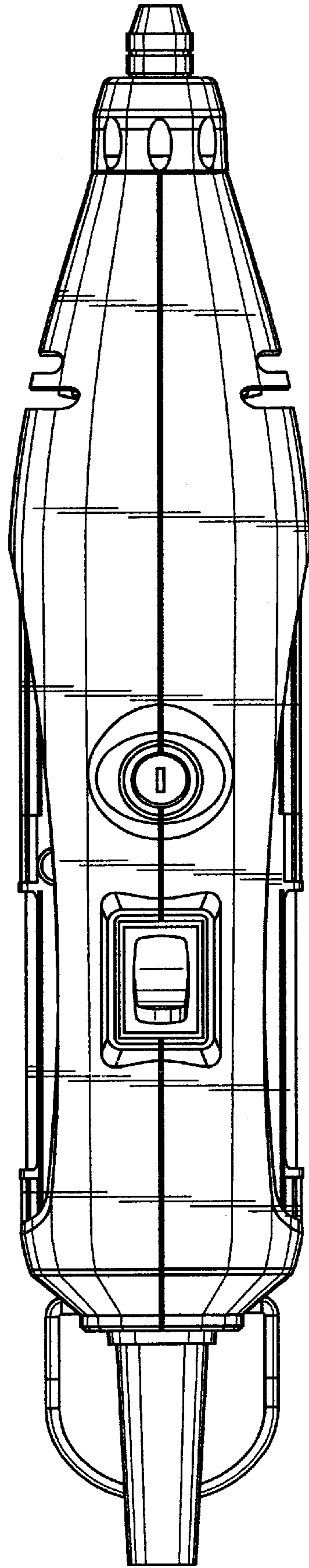


FIG. 7