



US00D446430B1

(12) **United States Design Patent**
Arns

(10) **Patent No.:** **US D446,430 S**

(45) **Date of Patent:** **** Aug. 14, 2001**

(54) **STAPLER**

(75) Inventor: **Stefan Arns**, Stenkullen (SE)

(73) Assignee: **Isaberg Rapid AB**, Hestra (SE)

(**) Term: **14 Years**

(21) Appl. No.: **29/122,382**

(22) Filed: **Apr. 27, 2000**

(30) **Foreign Application Priority Data**

Oct. 28, 1999 (DE) 4 99 10 181

(51) **LOC (7) Cl.** **19-02**

(52) **U.S. Cl.** **D8/50**

(58) **Field of Search** D8/49, 50; D19/72;
227/120, 126, 127, 128, 130-132, 134,
156

(56) **References Cited**

U.S. PATENT DOCUMENTS

D. 305,200 * 12/1989 Arns et al. D8/50

D. 331,178 * 11/1992 Bain et al. D8/50
D. 361,025 * 8/1995 Ho D8/50
D. 387,646 * 12/1997 Arns D8/50
5,509,595 * 4/1996 Ho 227/134
5,992,724 * 11/1999 Snyder 227/120

OTHER PUBLICATIONS

Rapid Catalog, 1999 p. 4 (Half-strip stapler, item S27).*

* cited by examiner

Primary Examiner—Adir Aronovich

(74) *Attorney, Agent, or Firm*—Miles & Stockbridge P.C.

(57) **CLAIM**

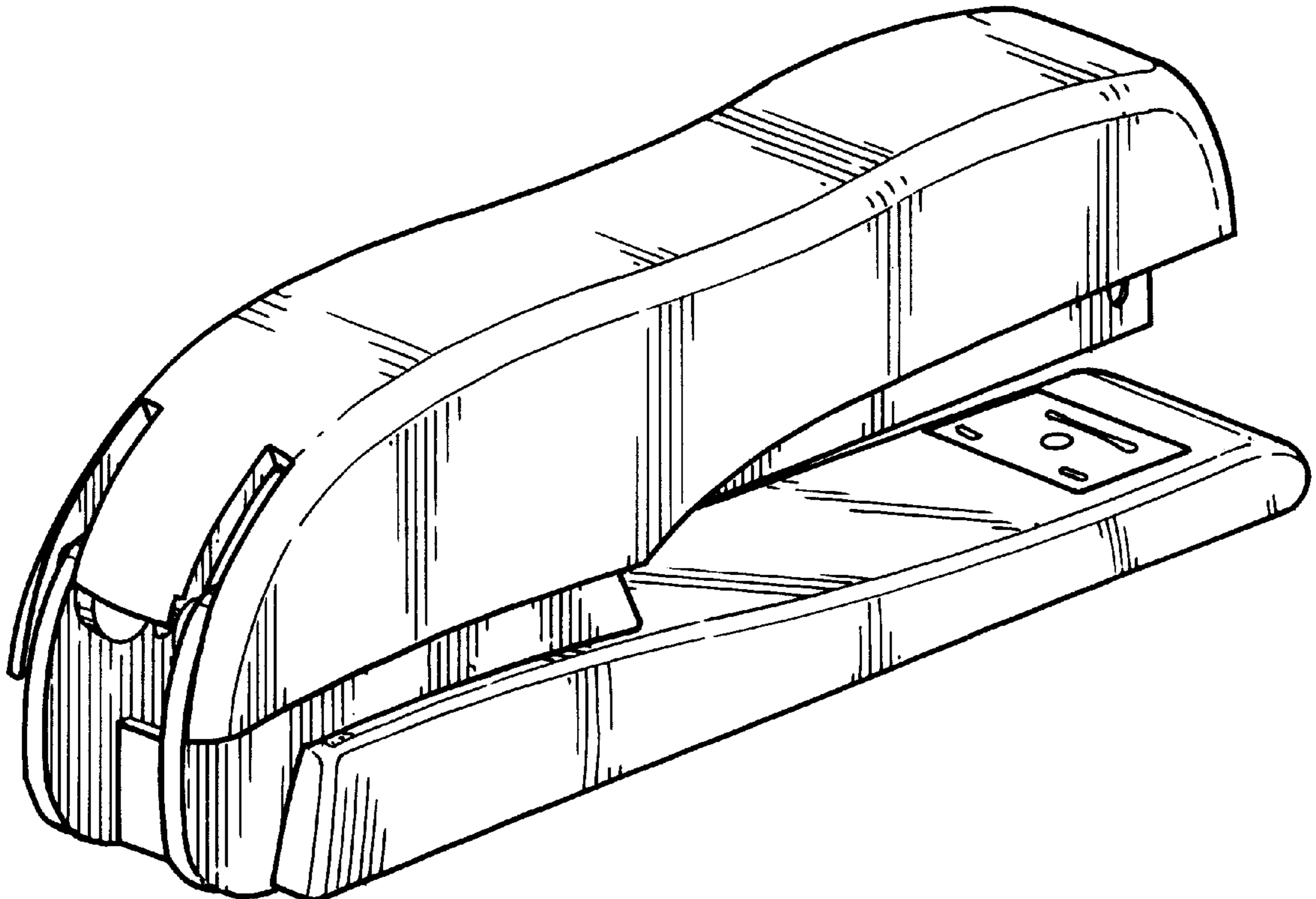
The ornamental design for a stapler, as shown and described.

DESCRIPTION

FIG. 1 is a perspective view showing the top side, the right side and the rear side of the stapler according to the invention; and,

FIG. 2 is a perspective view showing the underside, the left side and the front of the stapler.

1 Claim, 2 Drawing Sheets



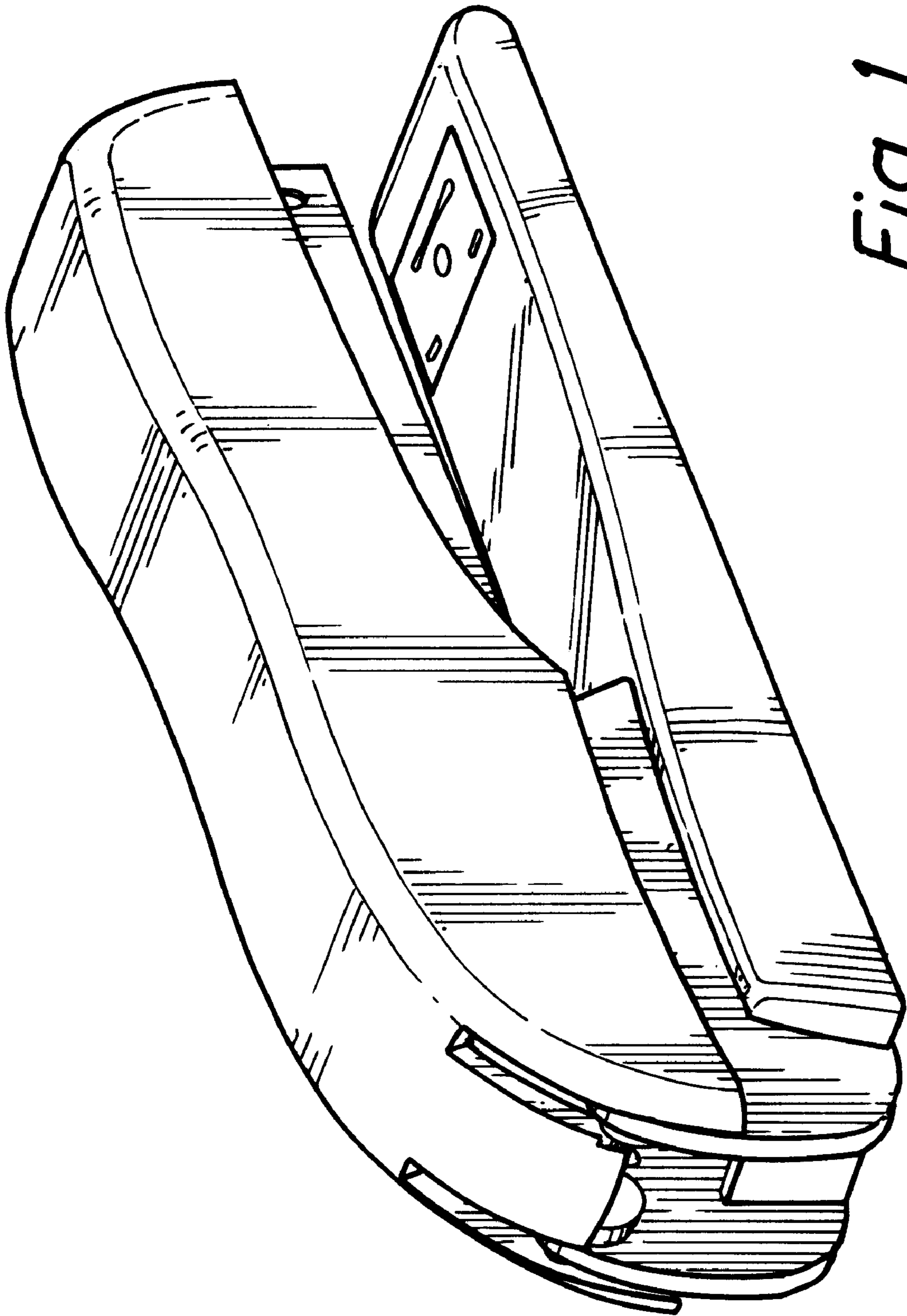


Fig. 1

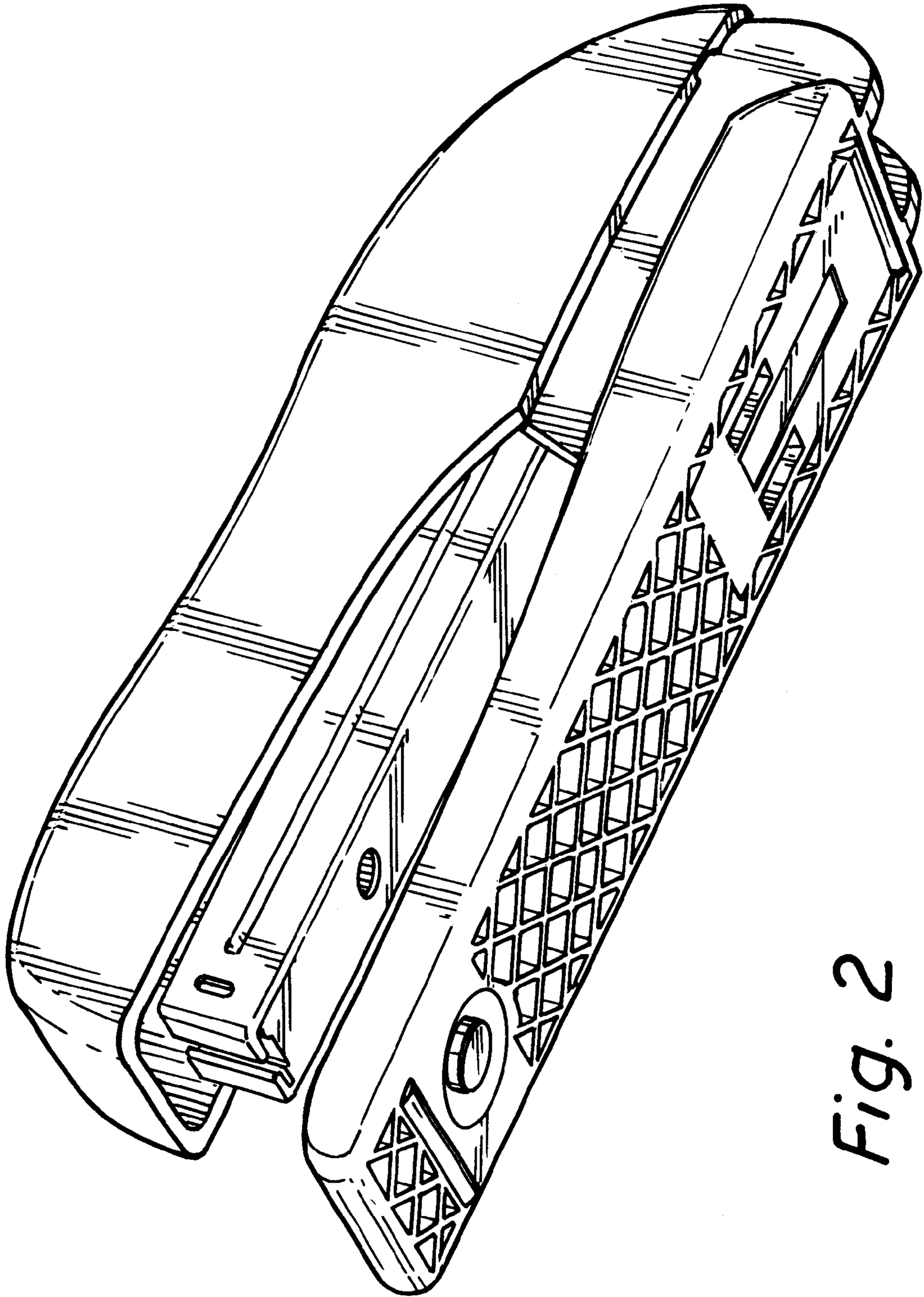


Fig. 2

UNITED STATES PATENT AND TRADEMARK OFFICE
CERTIFICATE OF CORRECTION

PATENT NO. : Des 446,430 S
DATED : August 14, 2001
INVENTOR(S) : Stefan Arns

Page 1 of 1

It is certified that error appears in the above-identified patent and that said Letters Patent is hereby corrected as shown below:

Title page,

Item [30], **Foreign Application Priority Data**, should read
-- Oct. 28, 1999 (DE).....4 99 10 181.2 --

Signed and Sealed this

Sixth Day of August, 2002

Attest:



Attesting Officer

JAMES E. ROGAN
Director of the United States Patent and Trademark Office