



US00D446424B1

(12) **United States Design Patent**  
**Hall**

(10) **Patent No.:** **US D446,424 S**

(45) **Date of Patent:** **\*\* Aug. 14, 2001**

(54) **UTENSIL REST**

(76) **Inventor:** **Anson L. Hall**, P.O. Box 87, Exeter, NH (US) 03833

(\*\*) **Term:** **14 Years**

(21) **Appl. No.:** **29/122,729**

(22) **Filed:** **May 2, 2000**

(51) **LOC (7) Cl.** ..... **07-99**

(52) **U.S. Cl.** ..... **D7/637**

(58) **Field of Search** ..... D7/637-641; 211/13.1, 211/70.6, 70.7; 248/37.3, 37.6, 174, 176

(56) **References Cited**

**U.S. PATENT DOCUMENTS**

|            |   |        |         |       |             |
|------------|---|--------|---------|-------|-------------|
| D. 326,591 | * | 6/1992 | Hall    | ..... | D7/637      |
| D. 378,564 | * | 3/1997 | Hall    | ..... | D7/637      |
| 2,651,927  | * | 9/1953 | Mullins | ..... | 248/373.3 X |
| 4,893,768  | * | 1/1990 | Hall    | ..... | 248/37.3    |
| 4,940,199  | * | 7/1990 | Hall    | ..... | 248/37.3    |

\* cited by examiner

*Primary Examiner*—Terry A. Wallace

(74) *Attorney, Agent, or Firm*—Salter & Michaelson

(57) **CLAIM**

The ornamental design for a utensil rest, as shown and described.

**DESCRIPTION**

FIG. 1 is a perspective view of a utensil rest showing my new design with the utensils illustrated in broken lines;

FIG. 2 is a perspective view of a utensil rest showing my new design;

FIG. 3 is an exploded perspective view showing the base card which forms a part of the combination separated from the utensil rest body;

FIG. 4 is a top plan view thereof;

FIG. 5 is a bottom plan view thereof;

FIG. 6 is a front elevational view thereof;

FIG. 7 is a rear elevational view thereof;

FIG. 8 is an end view thereof;

FIG. 9 is a view of the opposite end thereof;

FIG. 10 is an exploded perspective view of a modified form of my design;

FIG. 11 is a top plan view thereof;

FIG. 12 is a bottom plan view thereof;

FIG. 13 is a front elevational view thereof;

FIG. 14 is a rear elevational view thereof;

FIG. 15 is an end view thereof;

FIG. 16 is a view of the opposite end thereof;

FIG. 17 is an exploded perspective view of a further modified form of my design;

FIG. 18 is a top plan view thereof;

FIG. 19 is a bottom plan view thereof;

FIG. 20 is a front elevational view thereof;

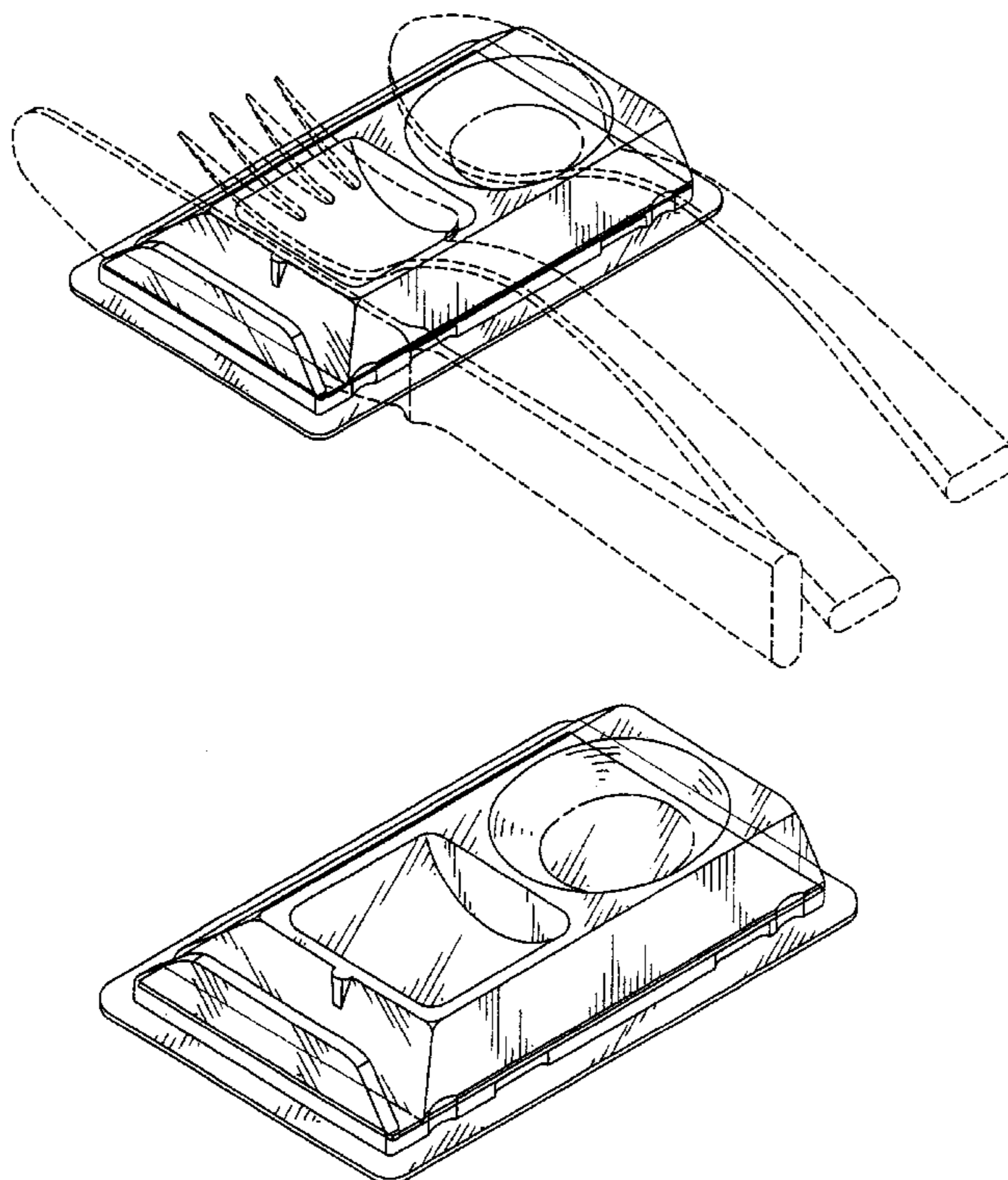
FIG. 21 is a rear elevational view thereof;

FIG. 22 is an end view thereof; and,

FIG. 23 is a view of the opposite end thereof.

The broken lines in FIG. 1 are for information only and form no part of the claimed design.

**1 Claim, 10 Drawing Sheets**



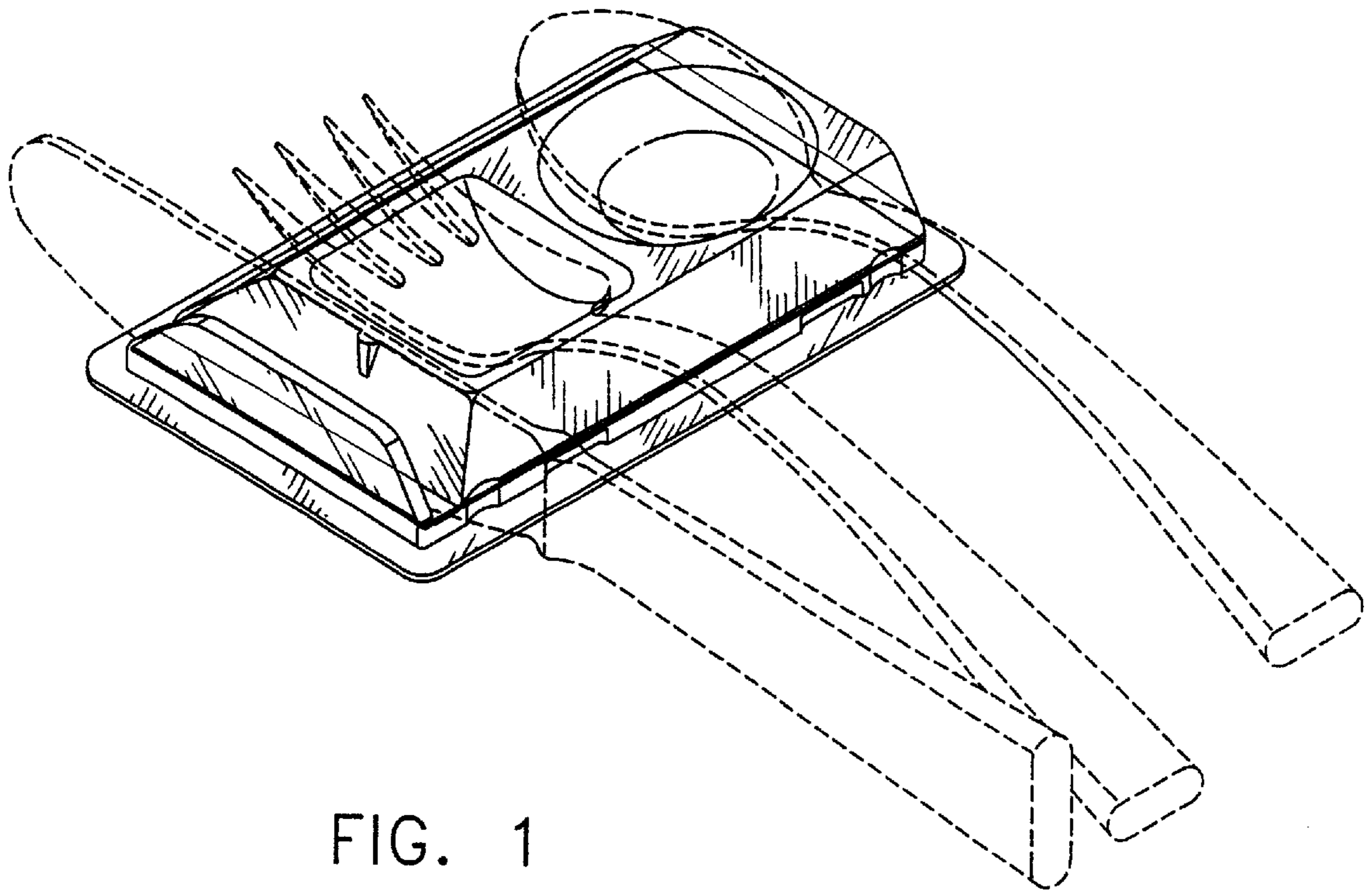


FIG. 1

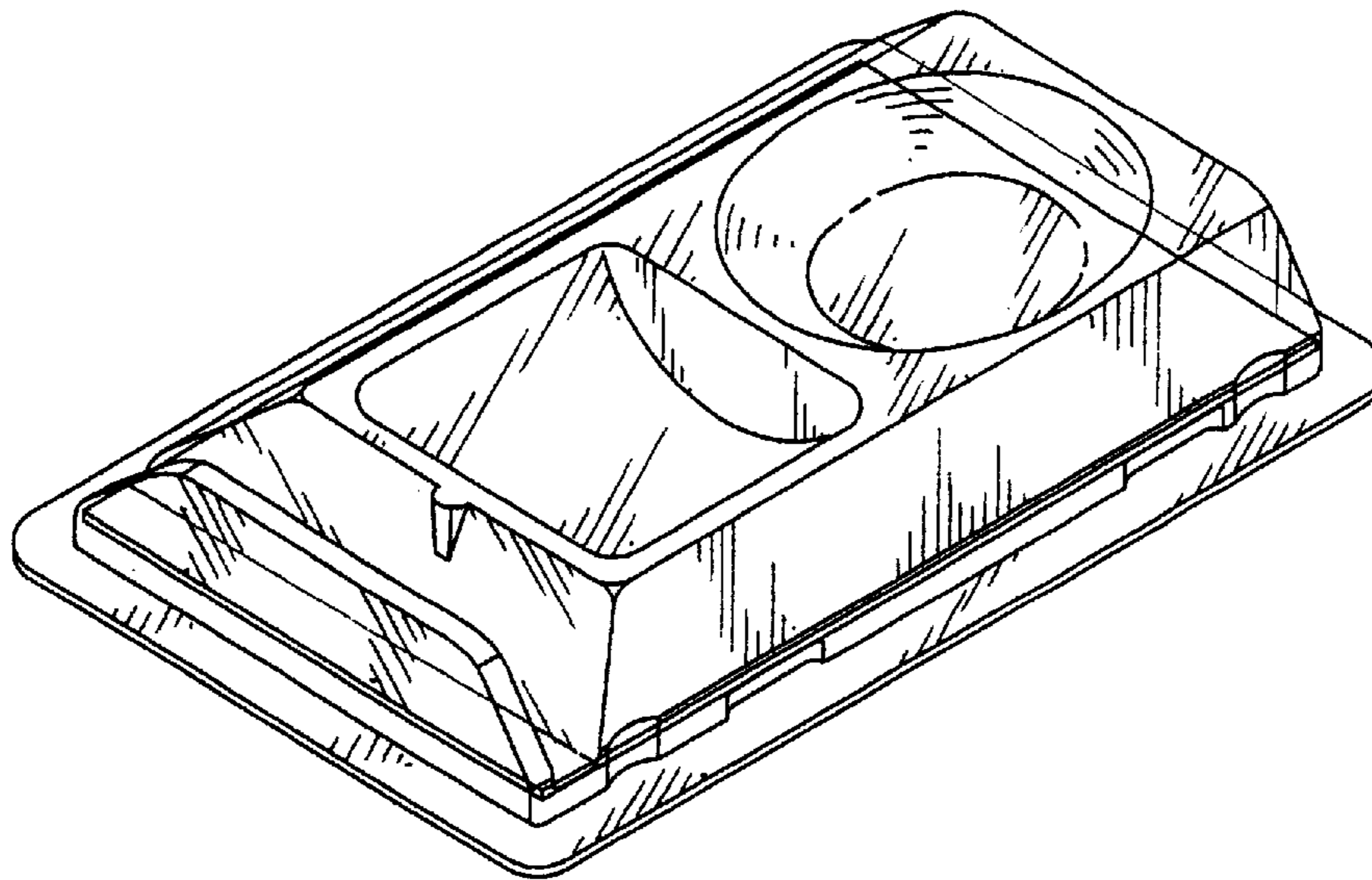


FIG. 2

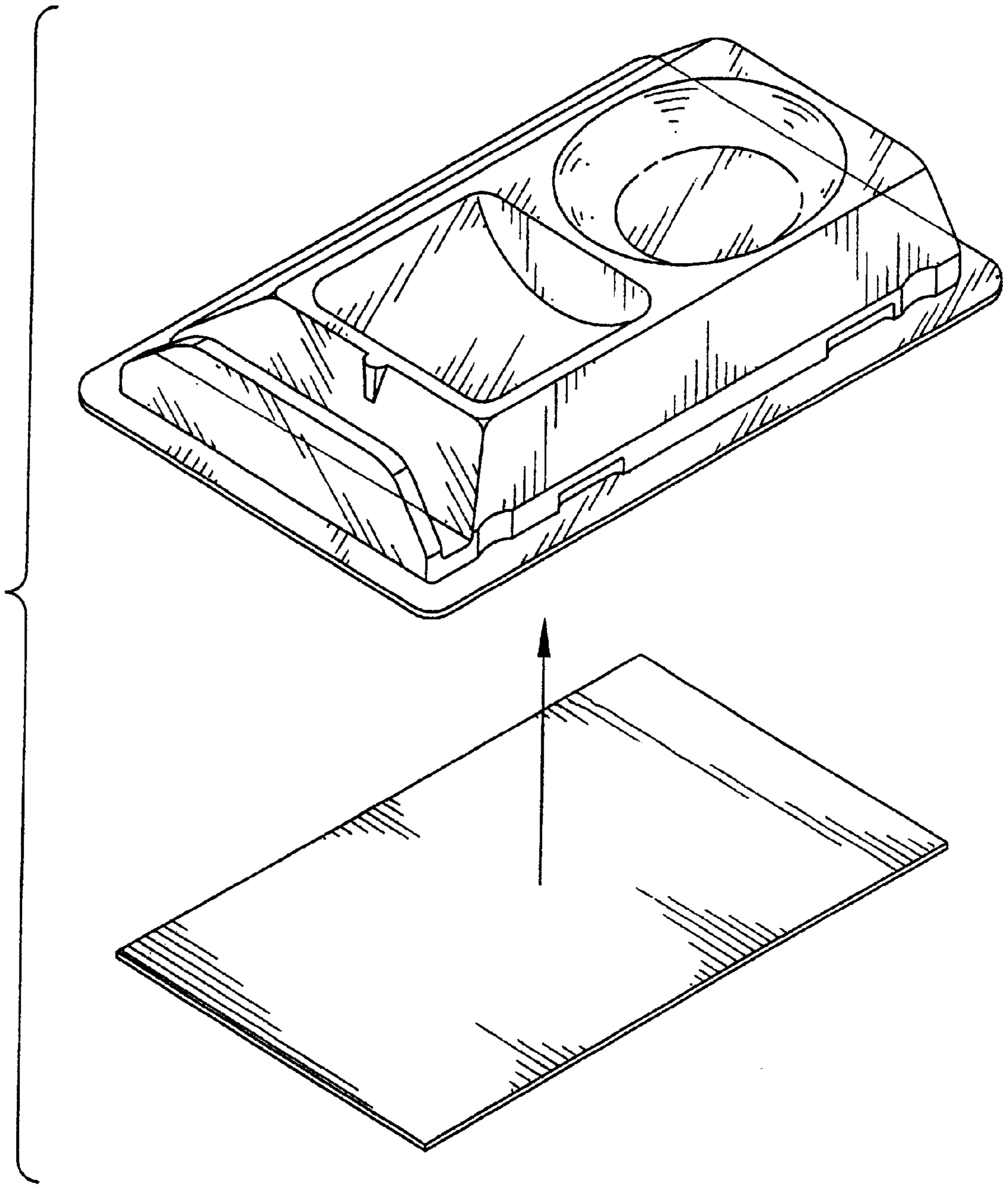


FIG. 3

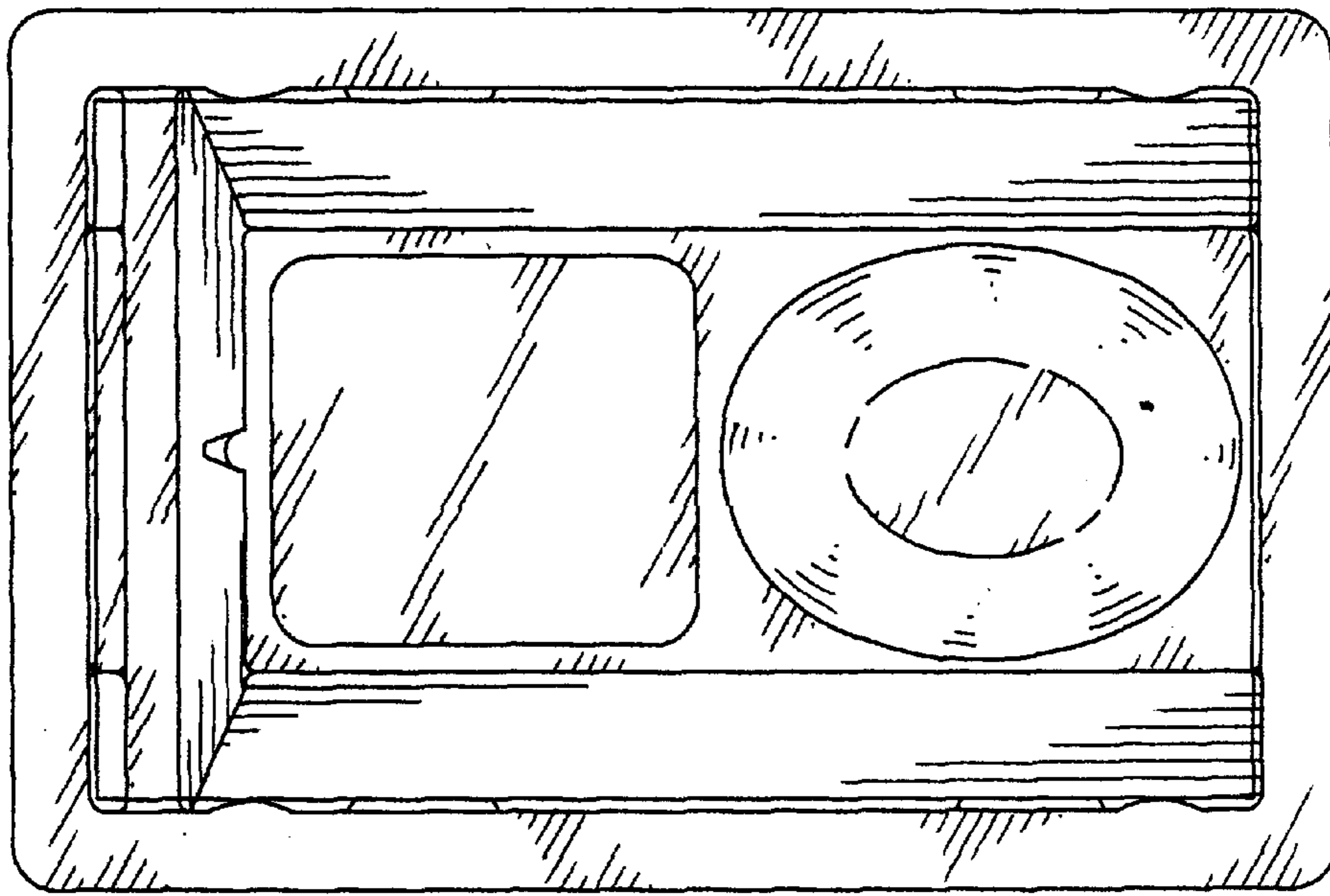


FIG. 4

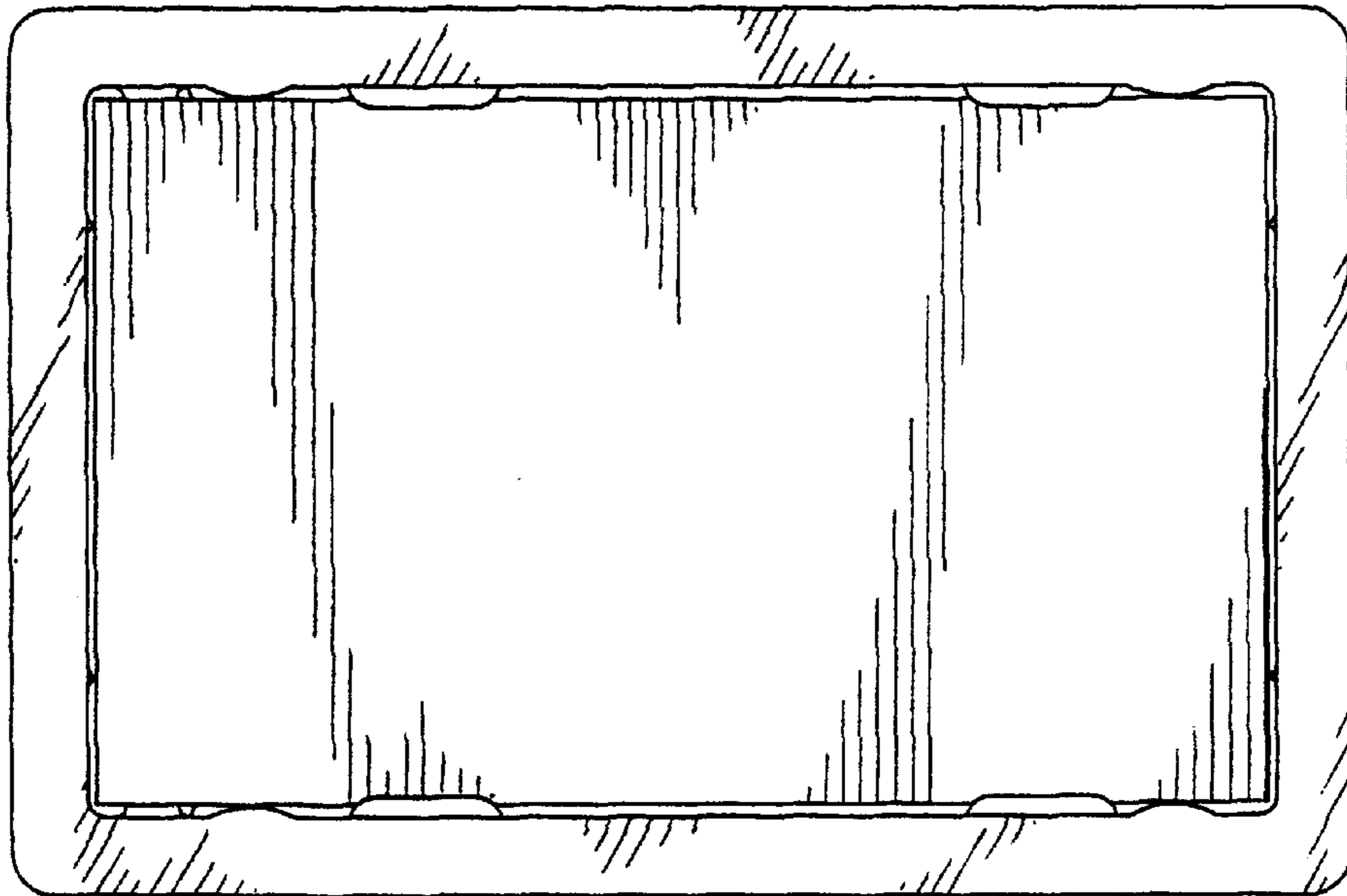


FIG. 5

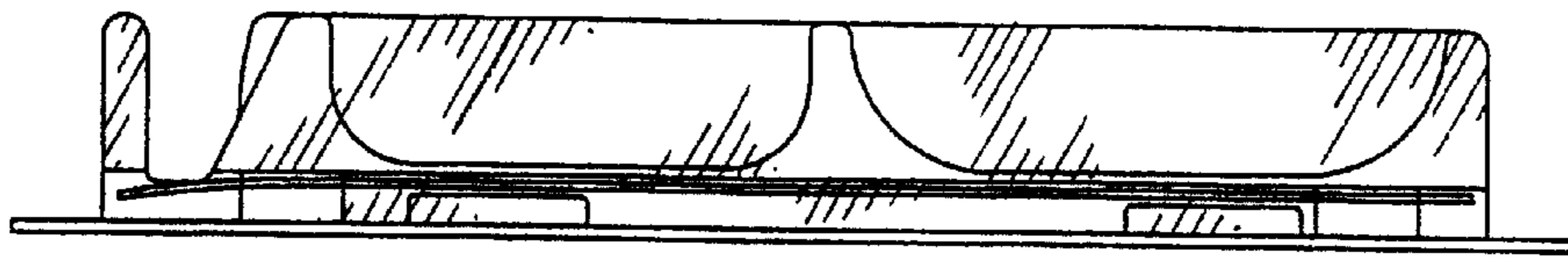


FIG. 6

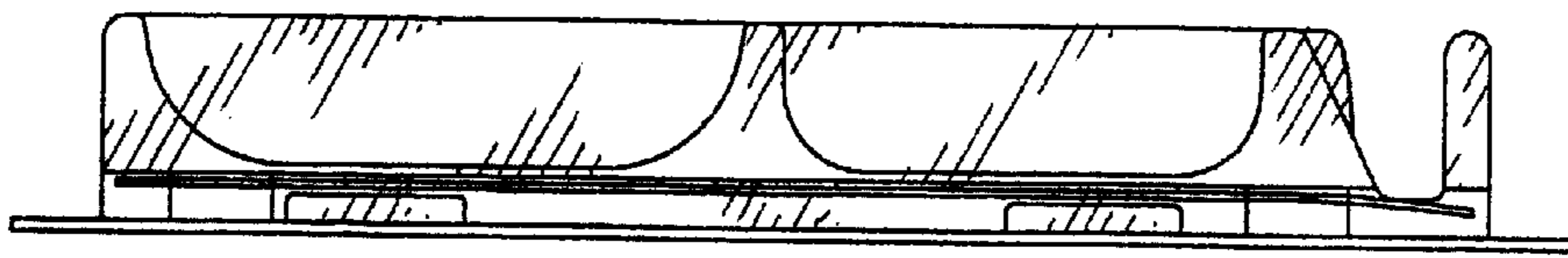


FIG. 7

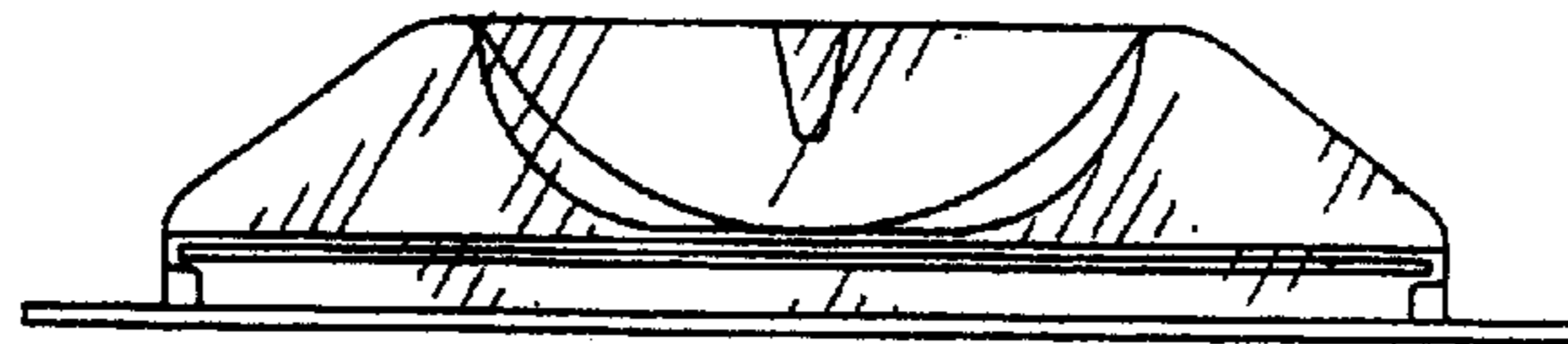


FIG. 8

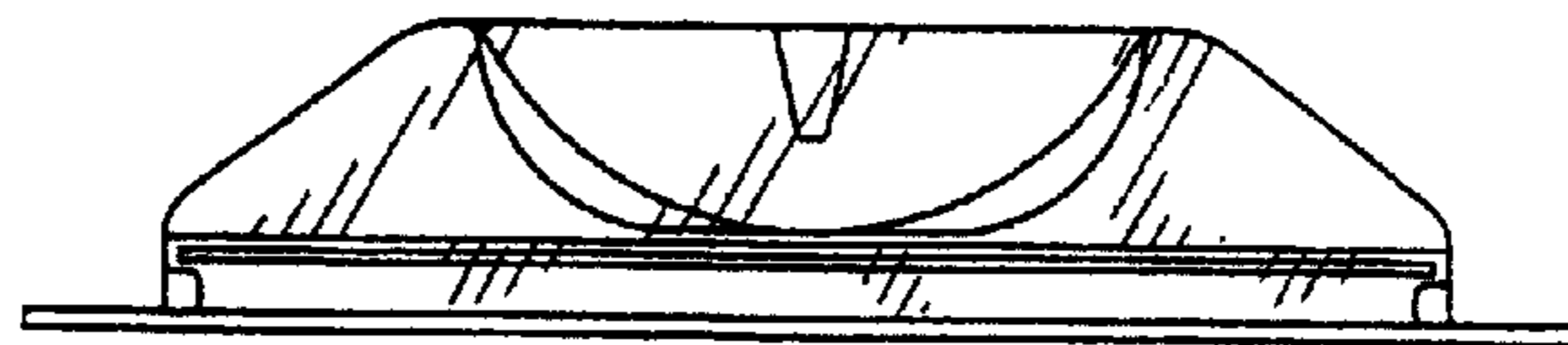


FIG. 9

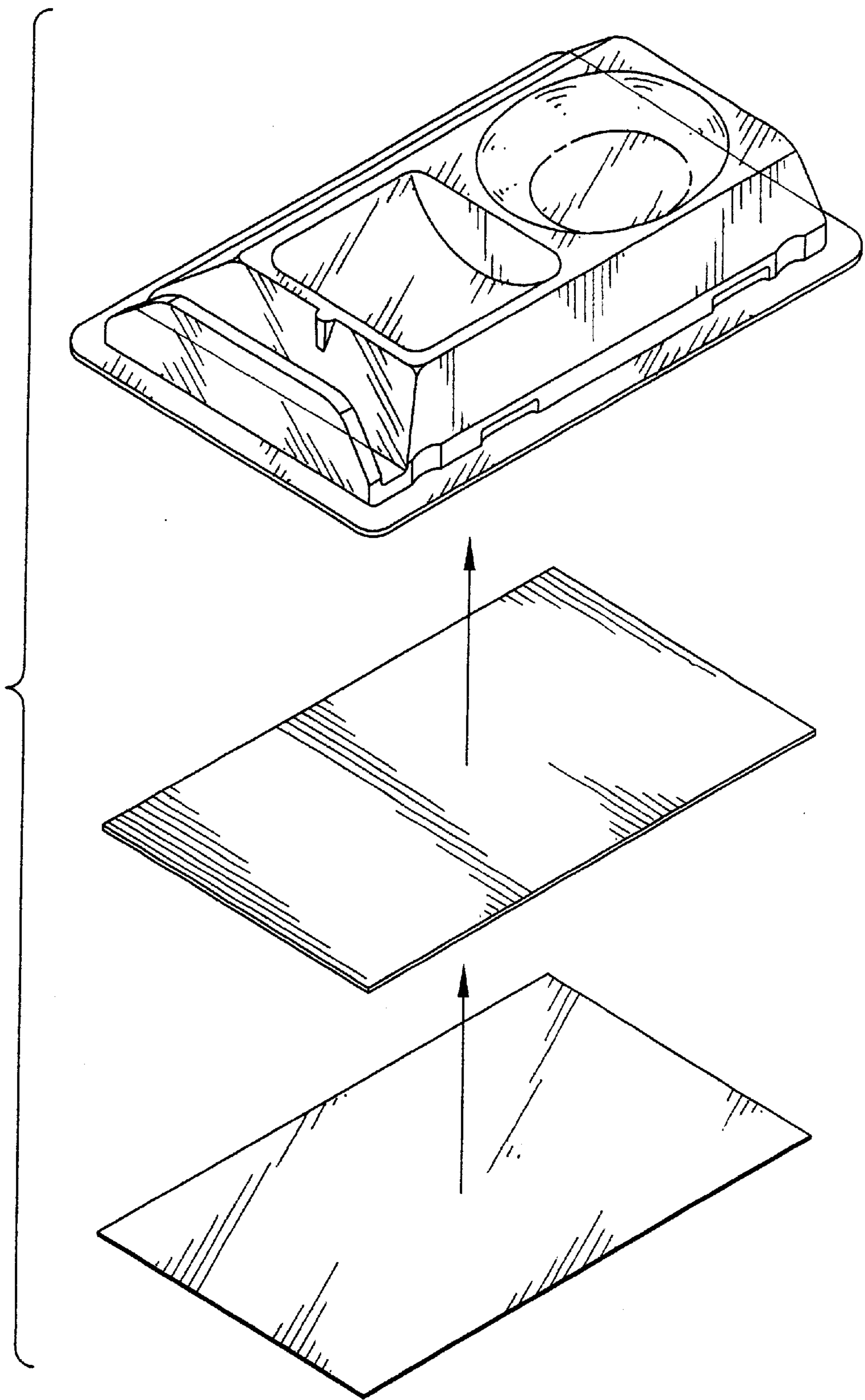


FIG. 10

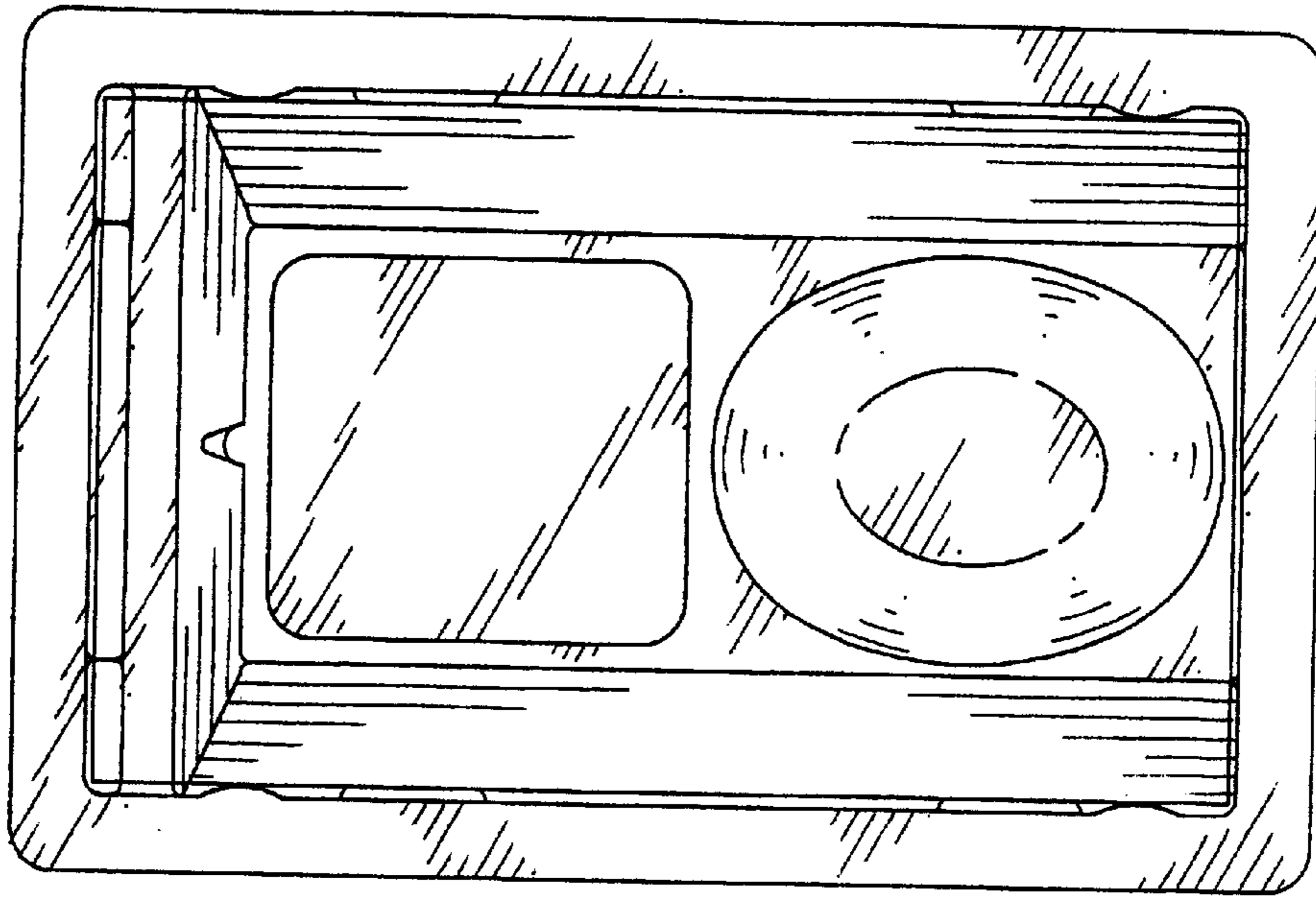


FIG. 11

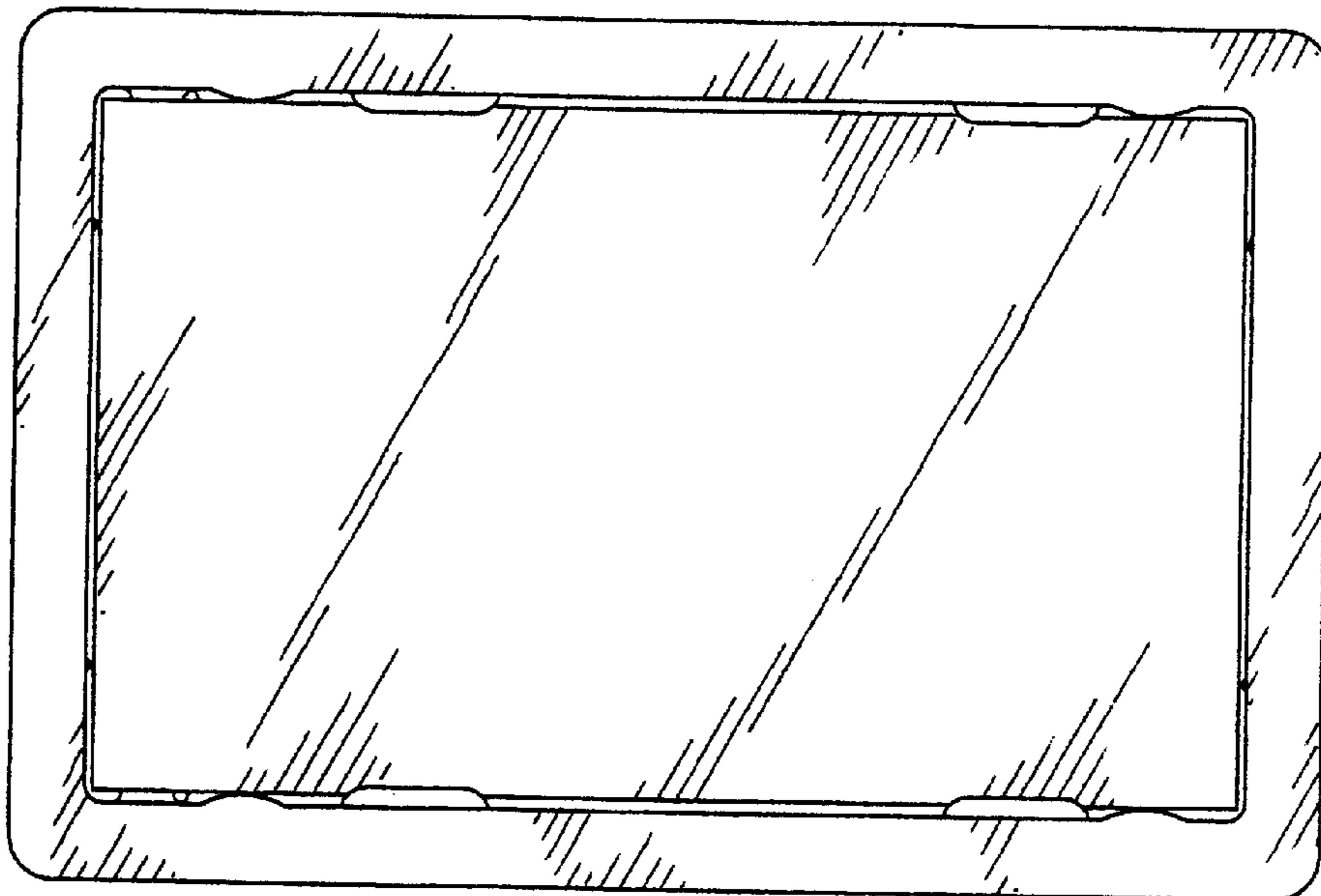


FIG. 12

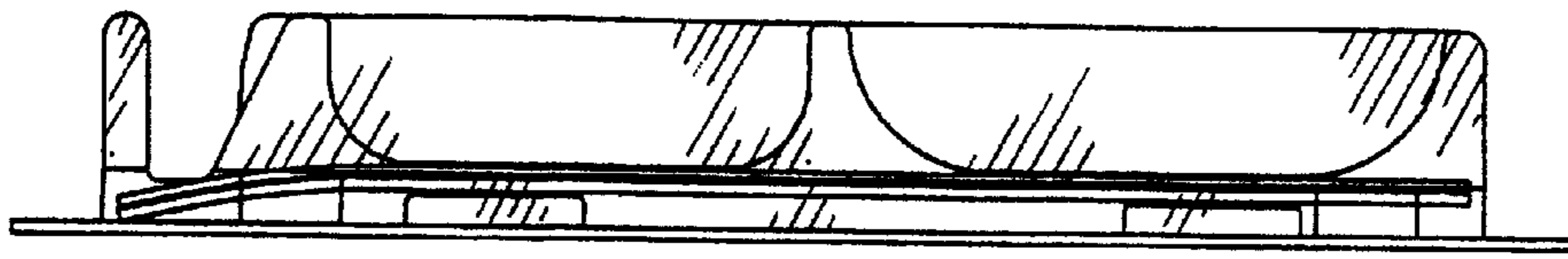


FIG. 13

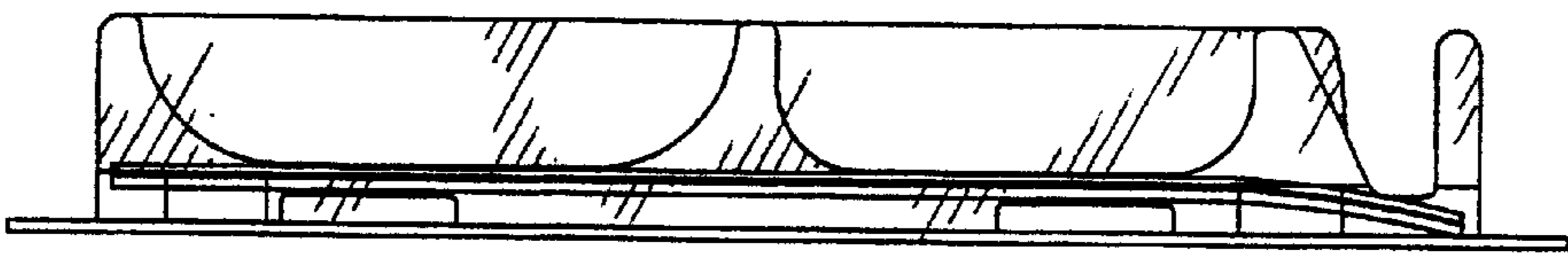


FIG. 14

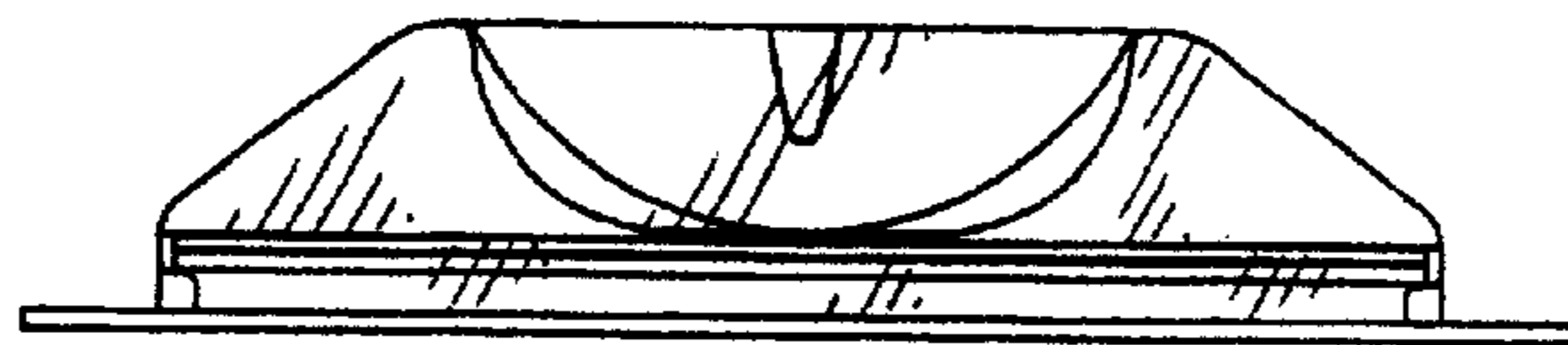


FIG. 15

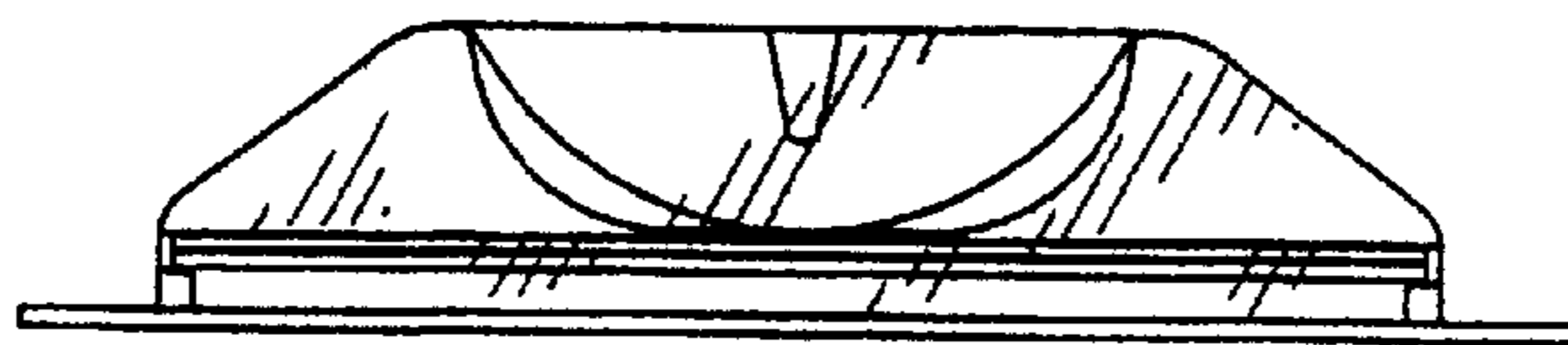


FIG. 16



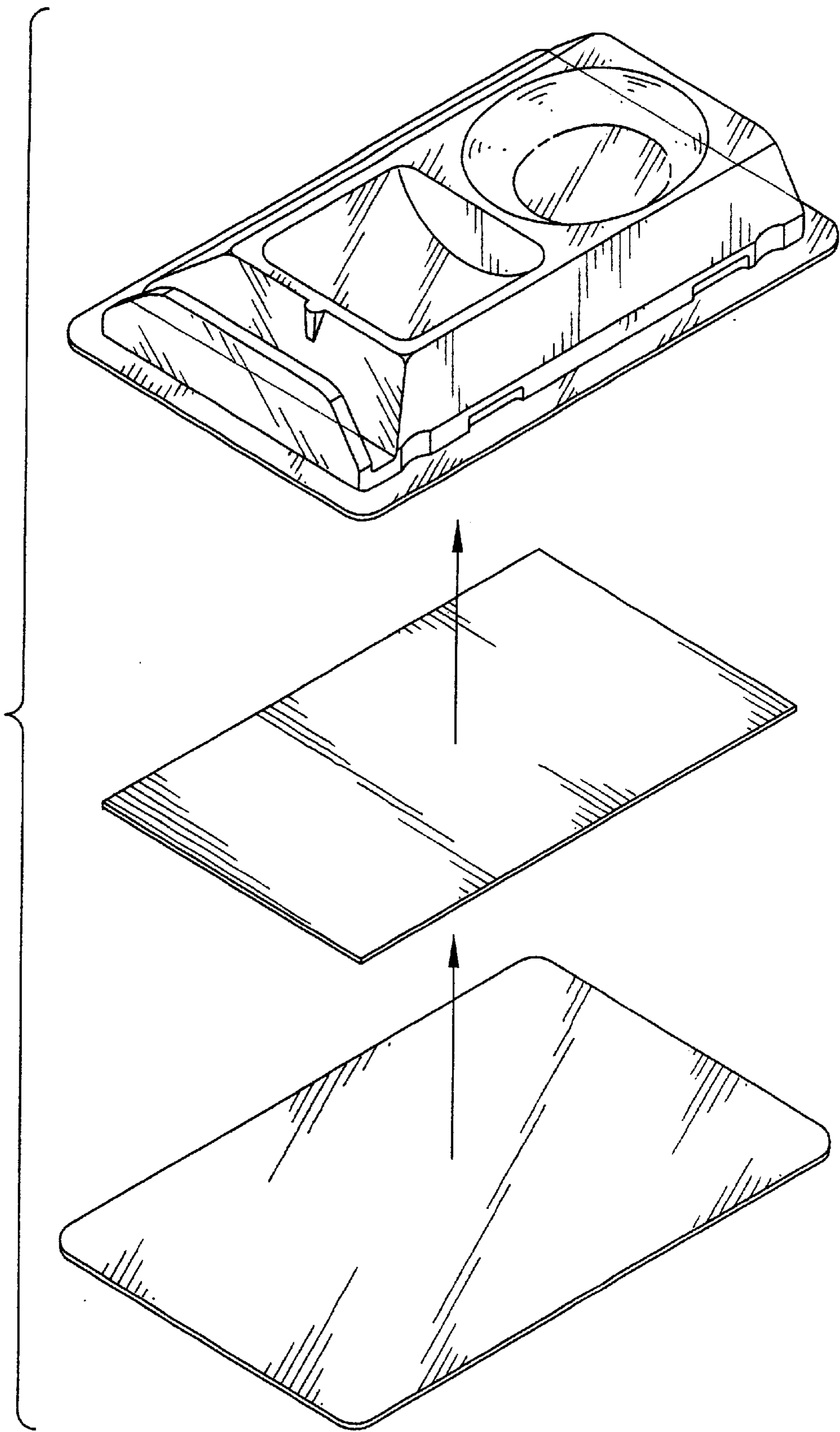


FIG. 17

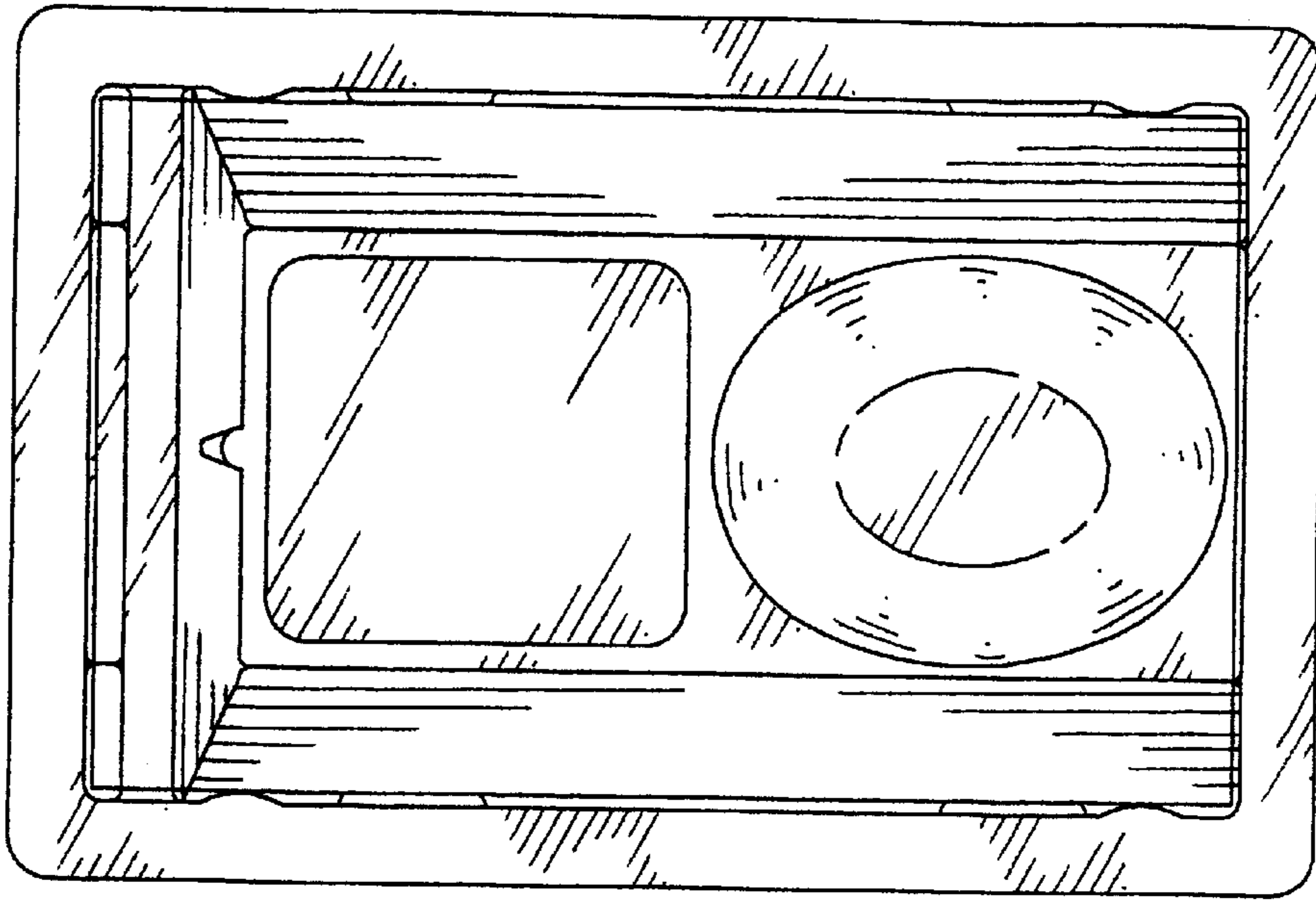


FIG. 18

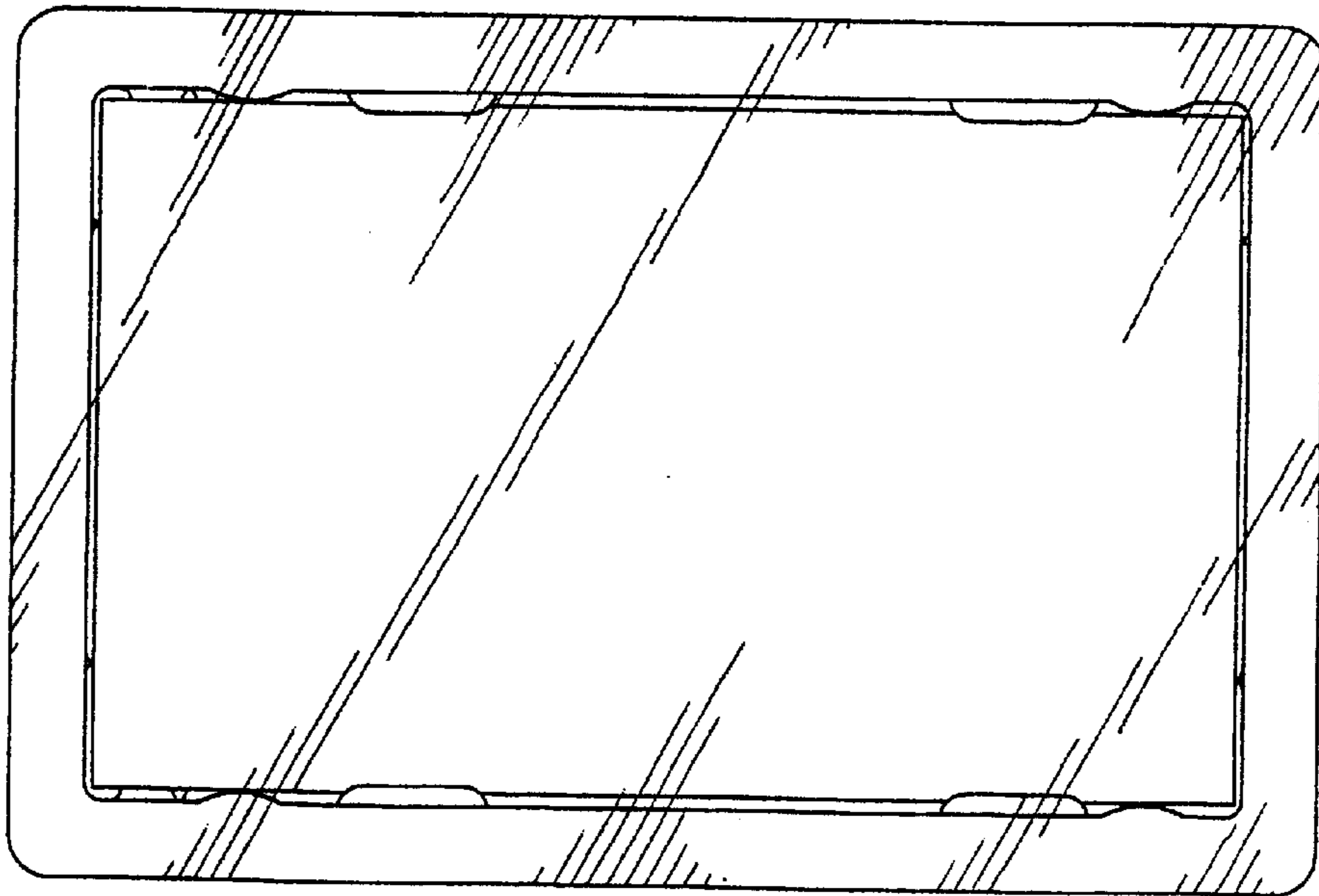


FIG. 19

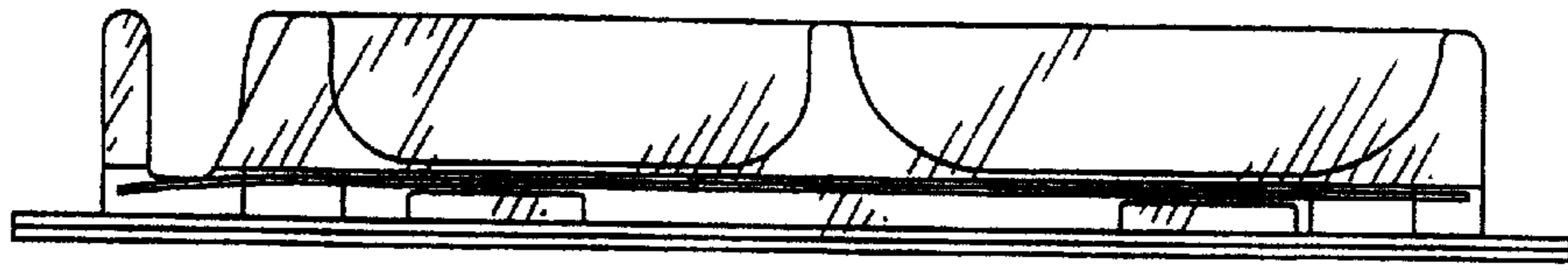


FIG. 20

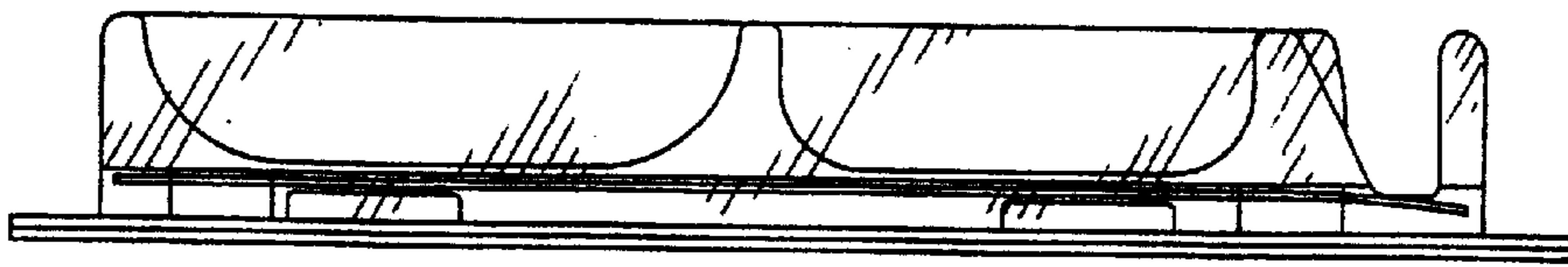


FIG. 21



FIG. 22

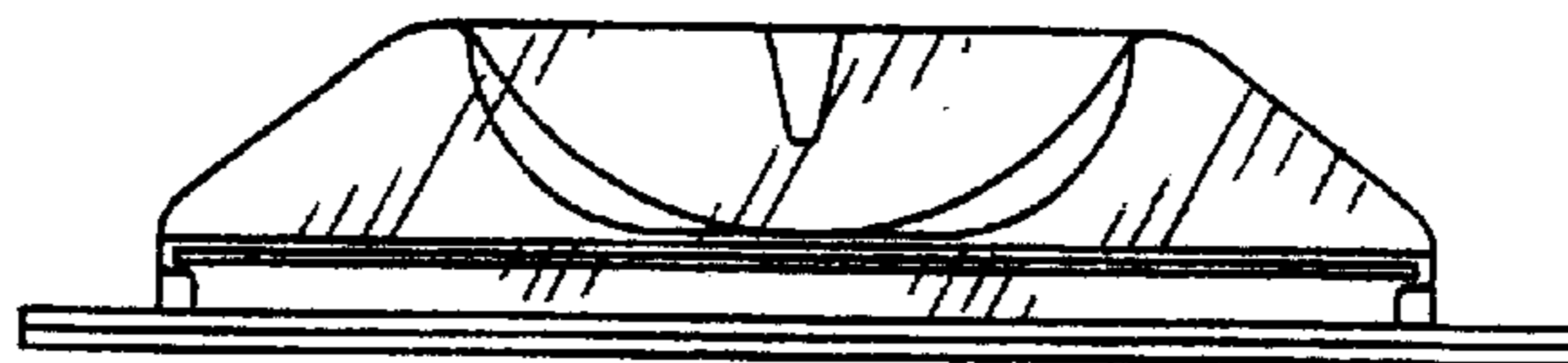


FIG. 23