



US00D446422B1

(12) **United States Design Patent**  
**Sumner et al.**

(10) **Patent No.:** **US D446,422 S**

(45) **Date of Patent:** **\*\* Aug. 14, 2001**

(54) **UNIVERSAL STOVE ATTACHMENT**

(75) Inventors: **William Q. Sumner**, Ellensburg; **Philip R. Hitch**, Seattle, both of WA (US)

(73) Assignee: **Mountain Safety Research, Inc.**, Seattle, WA (US)

(\*\*) Term: **14 Years**

(21) Appl. No.: **29/121,214**

(22) Filed: **Apr. 3, 2000**

**Related U.S. Application Data**

(63) Continuation-in-part of application No. 29/108,713, filed on Aug. 2, 1999, now abandoned.

(51) **LOC (7) Cl.** ..... **07-02**

(52) **U.S. Cl.** ..... **D7/402**

(58) **Field of Search** ..... D7/384, 402, 403, D7/407; D9/434, 435, 437; D23/206, 260, 262; 126/40, 49, 52, 59; 137/505; 141/368, 392; 220/86.1, 86.3, 727, 728, 735, DIG. 17, DIG. 20

(56) **References Cited**

**U.S. PATENT DOCUMENTS**

D. 197,928	*	4/1964	Johnson	.....	D9/447
D. 228,766	*	10/1973	Stohrer	.....	D7/407
D. 262,192	*	12/1981	Wedge	.....	D9/435
D. 267,780	*	2/1983	Walter	.....	D9/434
D. 282,340	*	1/1986	Lam	.....	D7/403
D. 287,265	*	12/1986	Edwards	.....	D23/260
D. 306,680	*	3/1990	Madl	.....	D7/384
D. 315,781	*	3/1991	Hart et al.	.....	D9/434
D. 319,981	*	9/1991	Sledge	.....	D9/447
D. 325,497	*	4/1992	Albertson	.....	D9/434
D. 369,517	*	5/1996	Ferlin	.....	D7/407
D. 380,522	*	7/1997	Moore et al.	.....	D23/206

D. 390,462	*	2/1998	Mao	.....	D9/435
D. 409,486	*	5/1999	Goserud	.....	D9/434
3,487,974	*	1/1970	Schovee	.....	220/DIG. 20
5,954,044	*	9/1999	Schmidt et al.	.....	126/40

\* cited by examiner

*Primary Examiner*—Robert M. Spear

(74) *Attorney, Agent, or Firm*—Foster & Foster

(57) **CLAIM**

The ornamental design for a universal stove attachment, as shown and described.

**DESCRIPTION**

FIG. 1 is a perspective view of a universal stove attachment design according to the present invention;

FIG. 2 is a top view of the embodiment of FIG. 1;

FIG. 3 is a front elevation view of the embodiment of FIG. 1;

FIG. 4 is a bottom view of the embodiment of FIG. 1;

FIG. 5 is a right side elevation view of the embodiment of FIG. 1 (the left side elevation view is a mirror image of the right side elevation view);

FIG. 6 is rear elevation view of the embodiment of FIG. 1; FIG. 7 is a perspective view of an alternative embodiment of a universal stove attachment design according to the present invention;

FIG. 8 is a top view of the embodiment of FIG. 7;

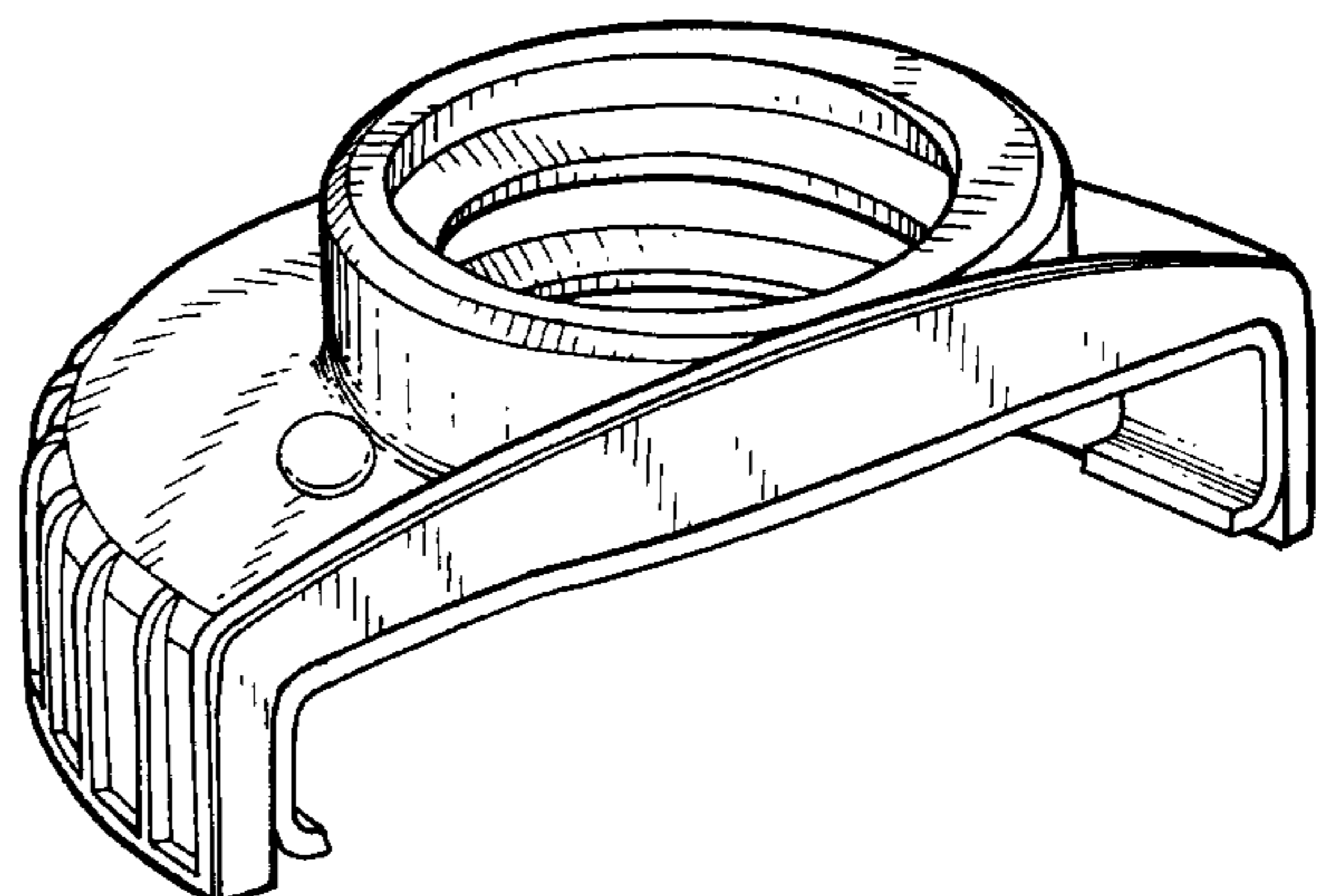
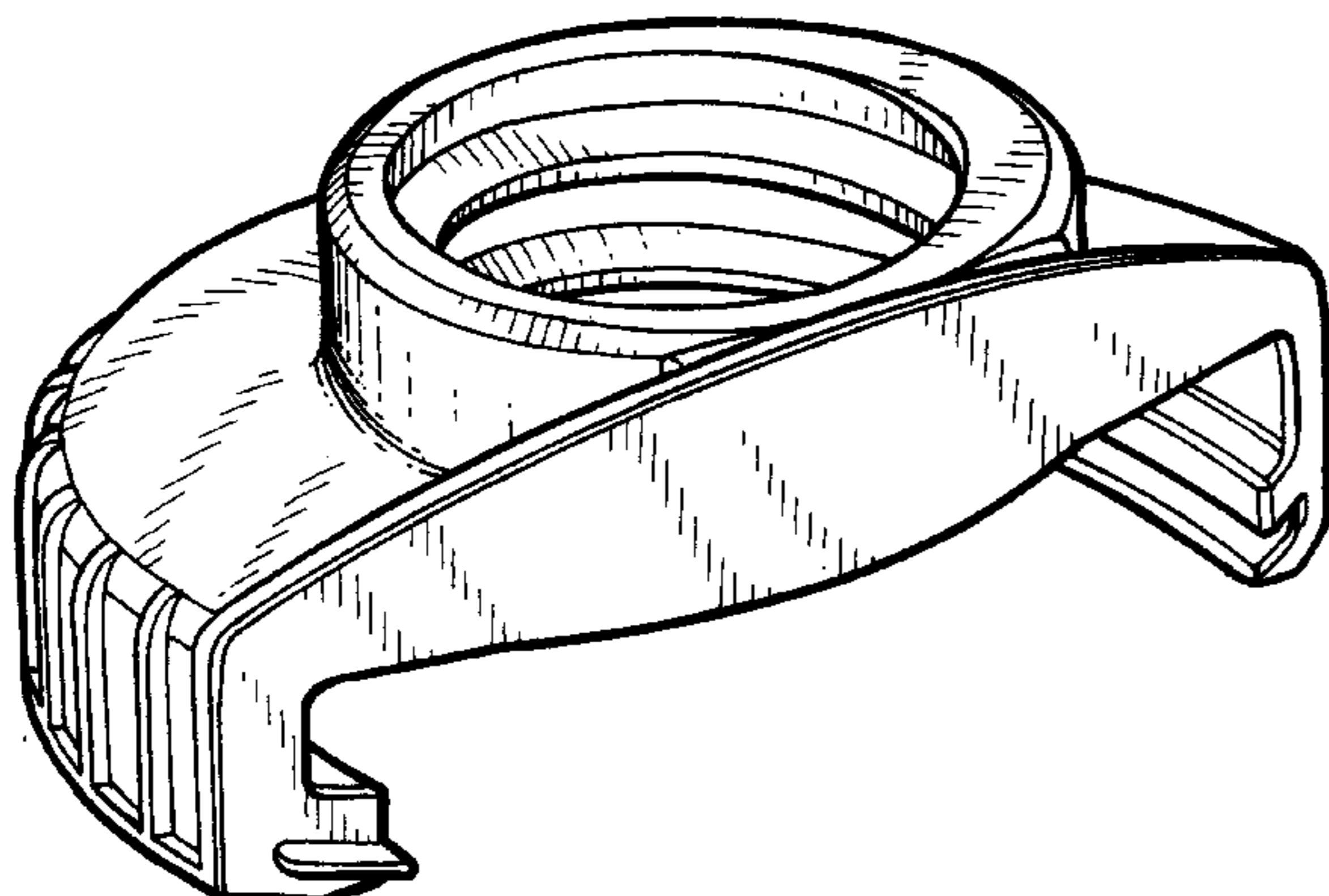
FIG. 9 is a front elevation view of the embodiment of FIG. 7;

FIG. 10 is a bottom view of the embodiment of FIG. 7;

FIG. 11 is a right side elevation view of the embodiment of FIG. 7 (the left side elevation view is a mirror image of the right side elevation view); and,

FIG. 12 is a rear elevation view of the embodiment of FIG. 7.

**1 Claim, 4 Drawing Sheets**



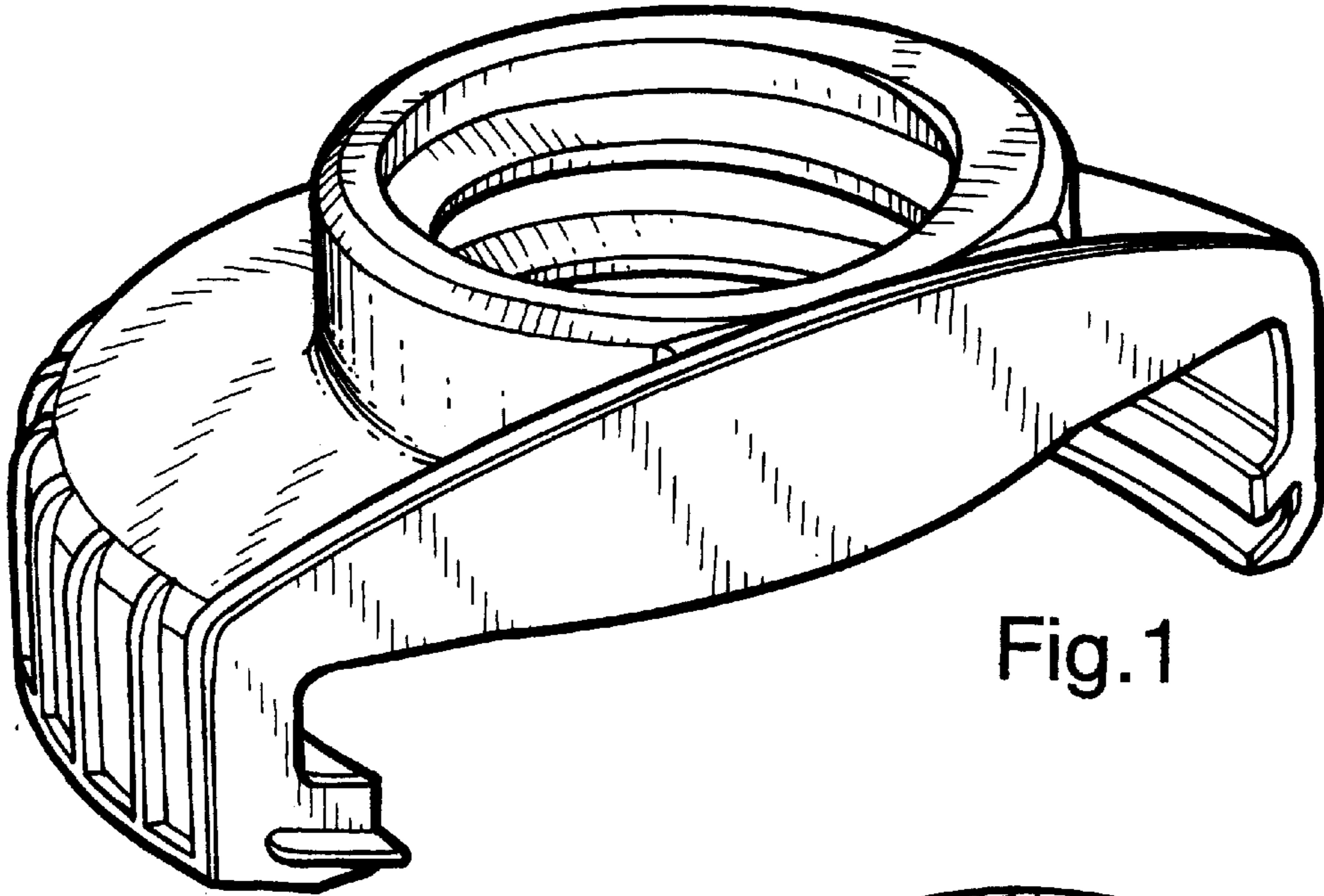


Fig. 1

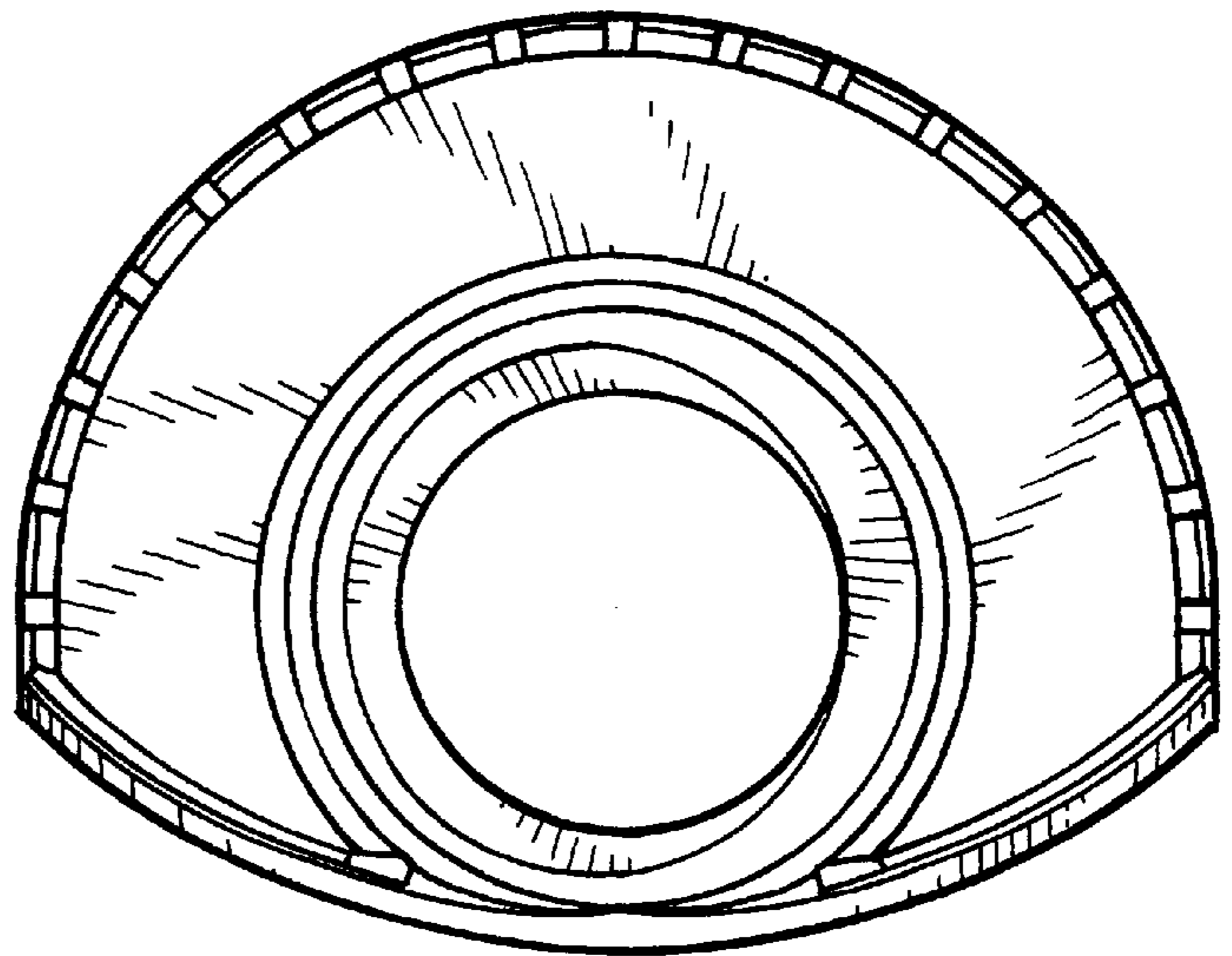


Fig. 2

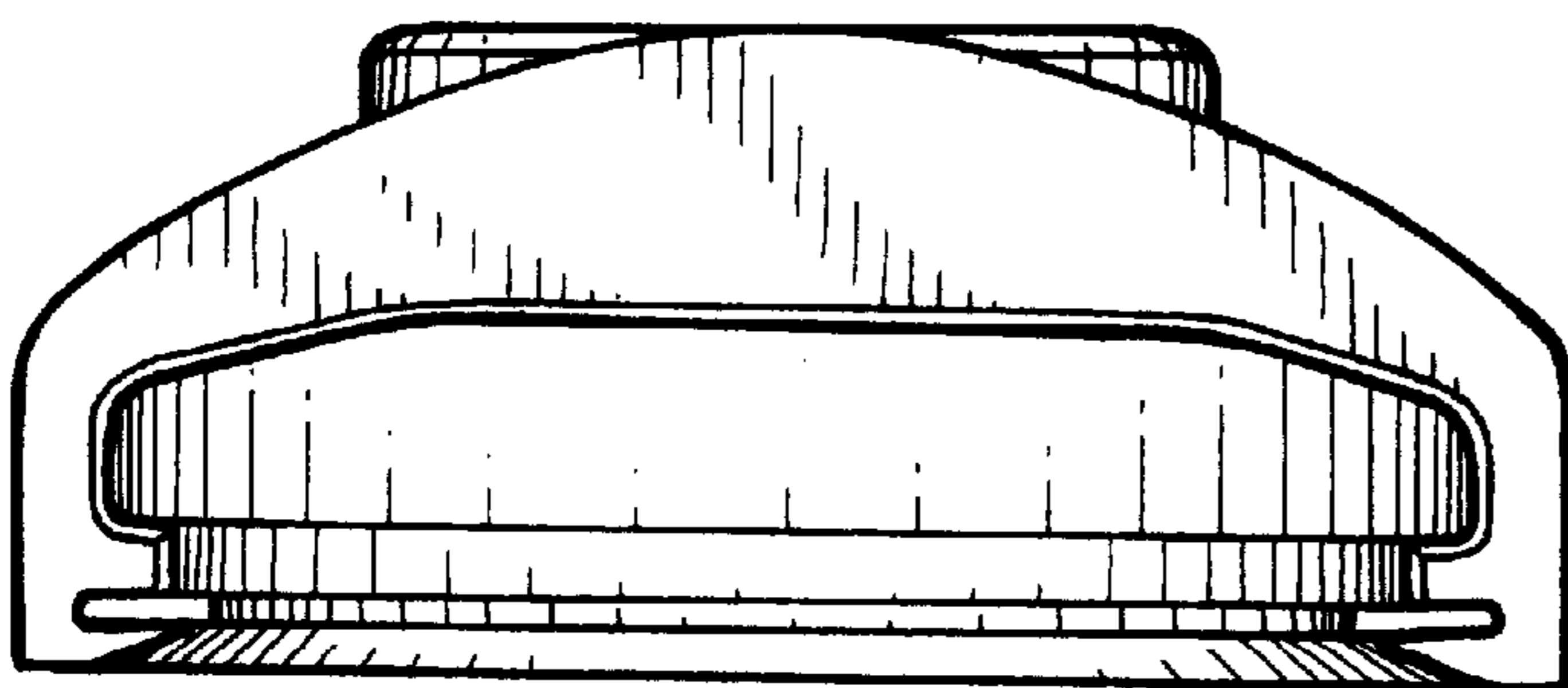


Fig. 3

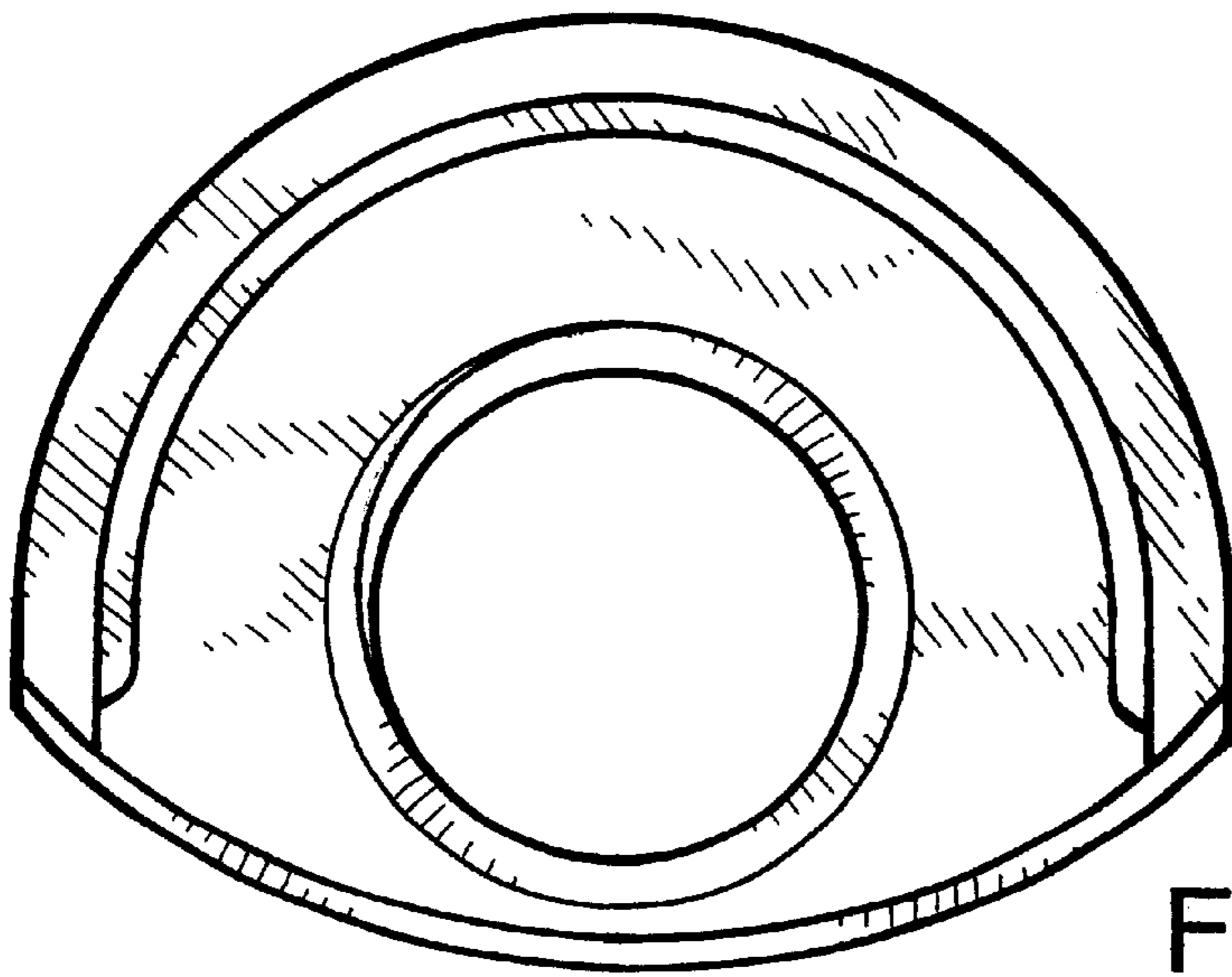


Fig.4

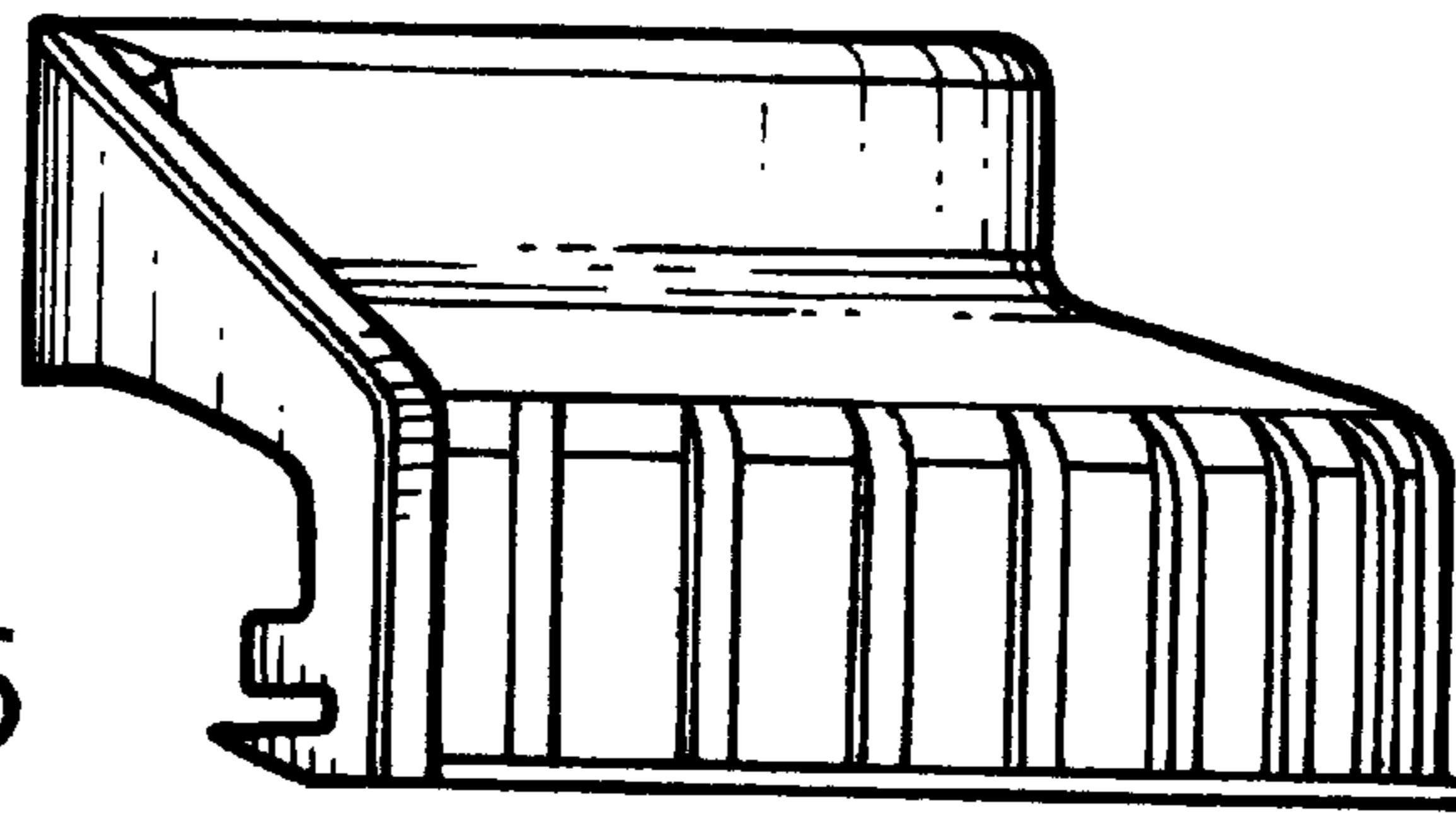


Fig.5

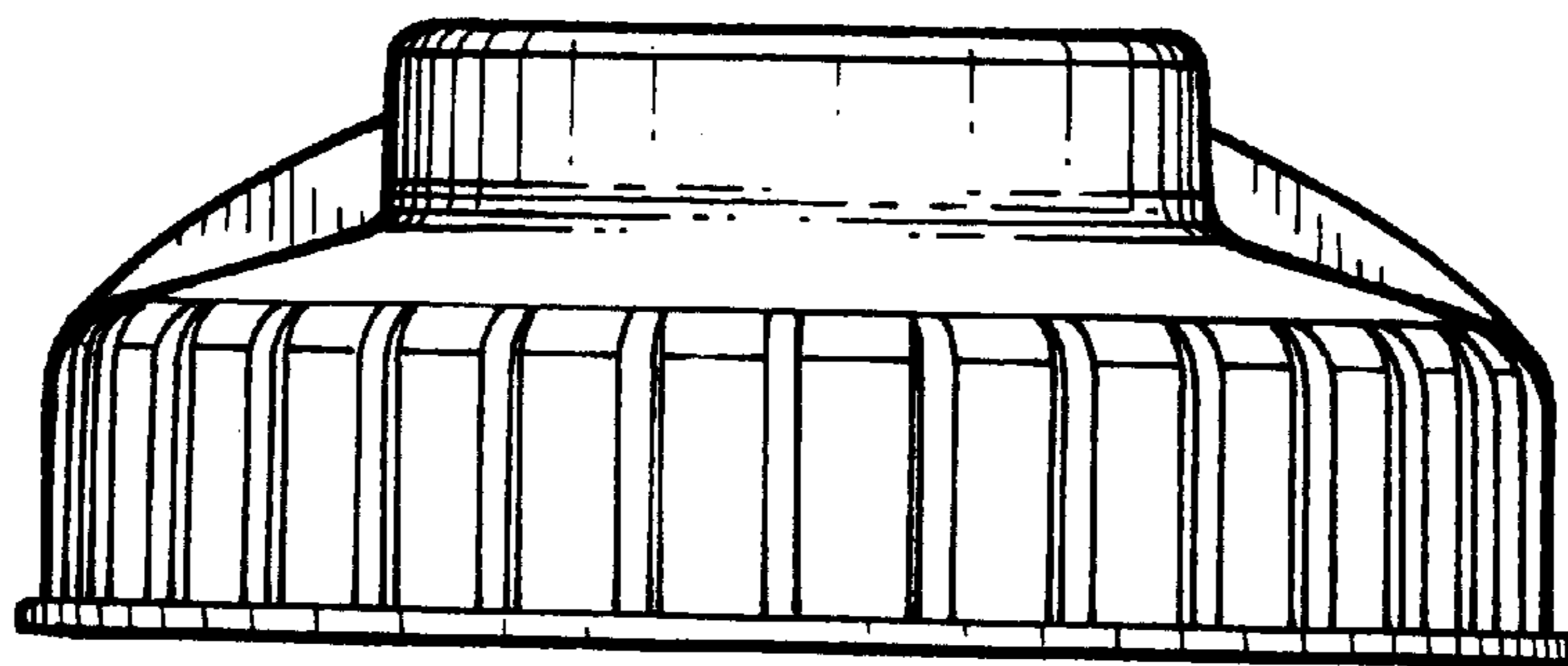


Fig.6

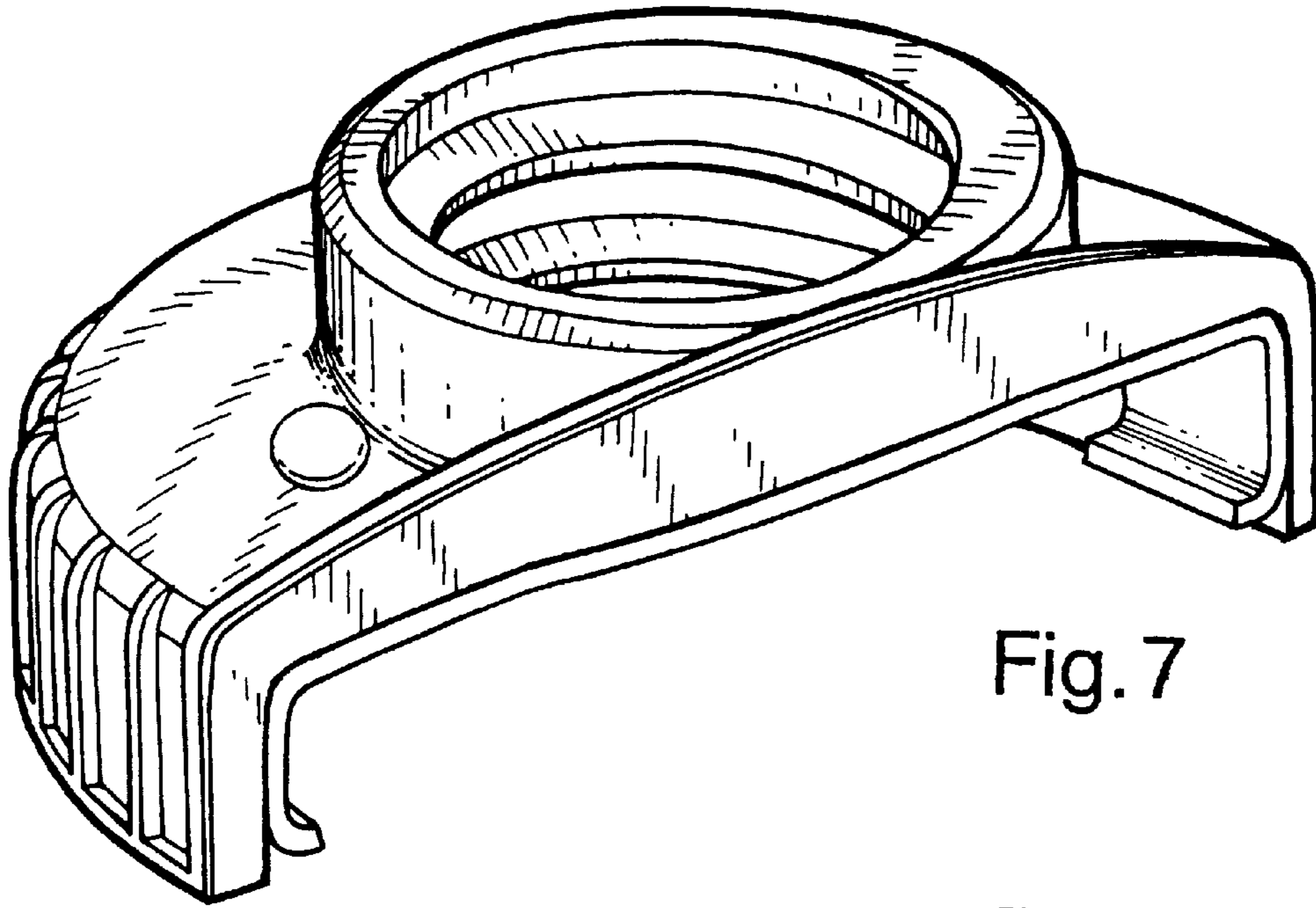


Fig. 7

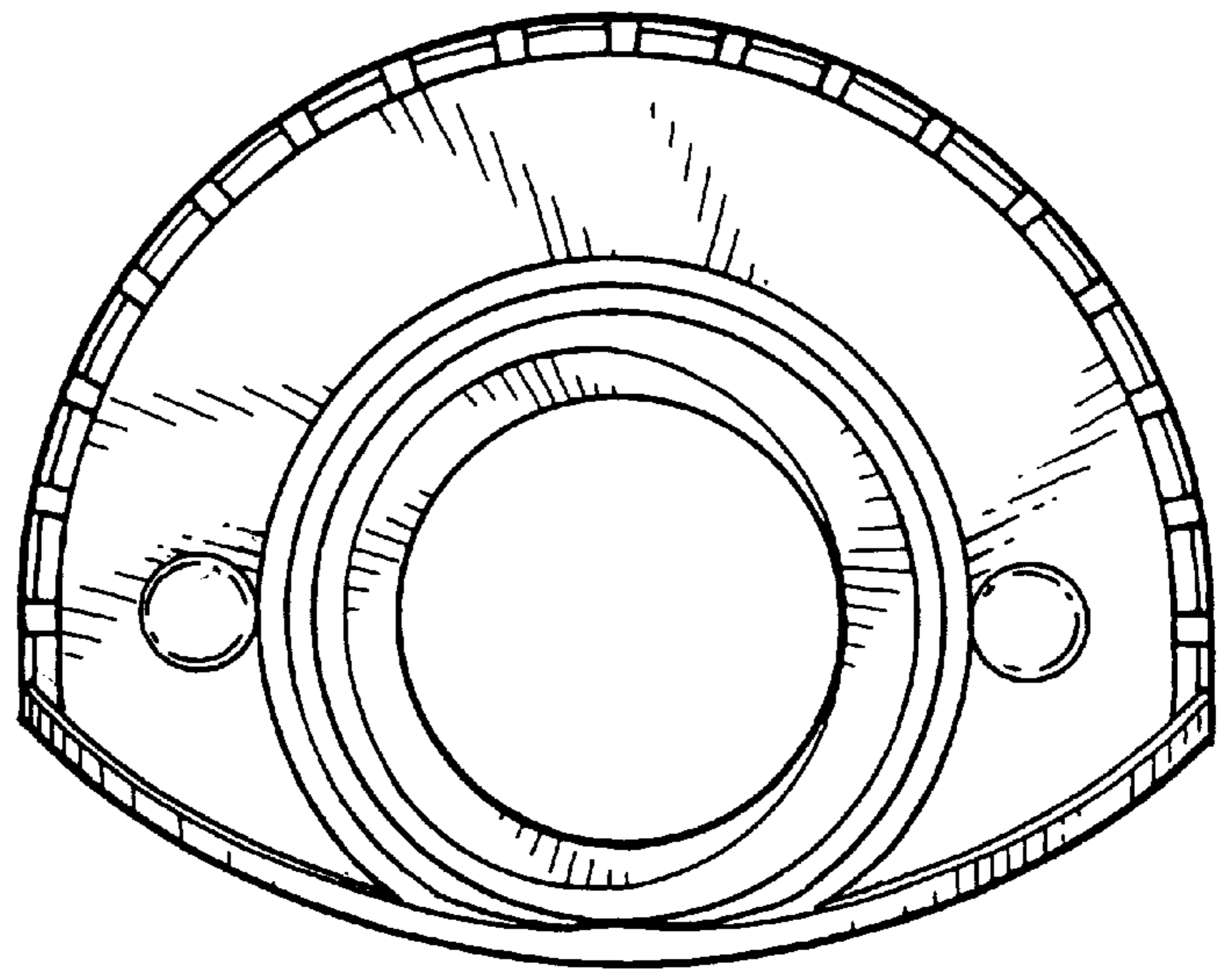


Fig. 8

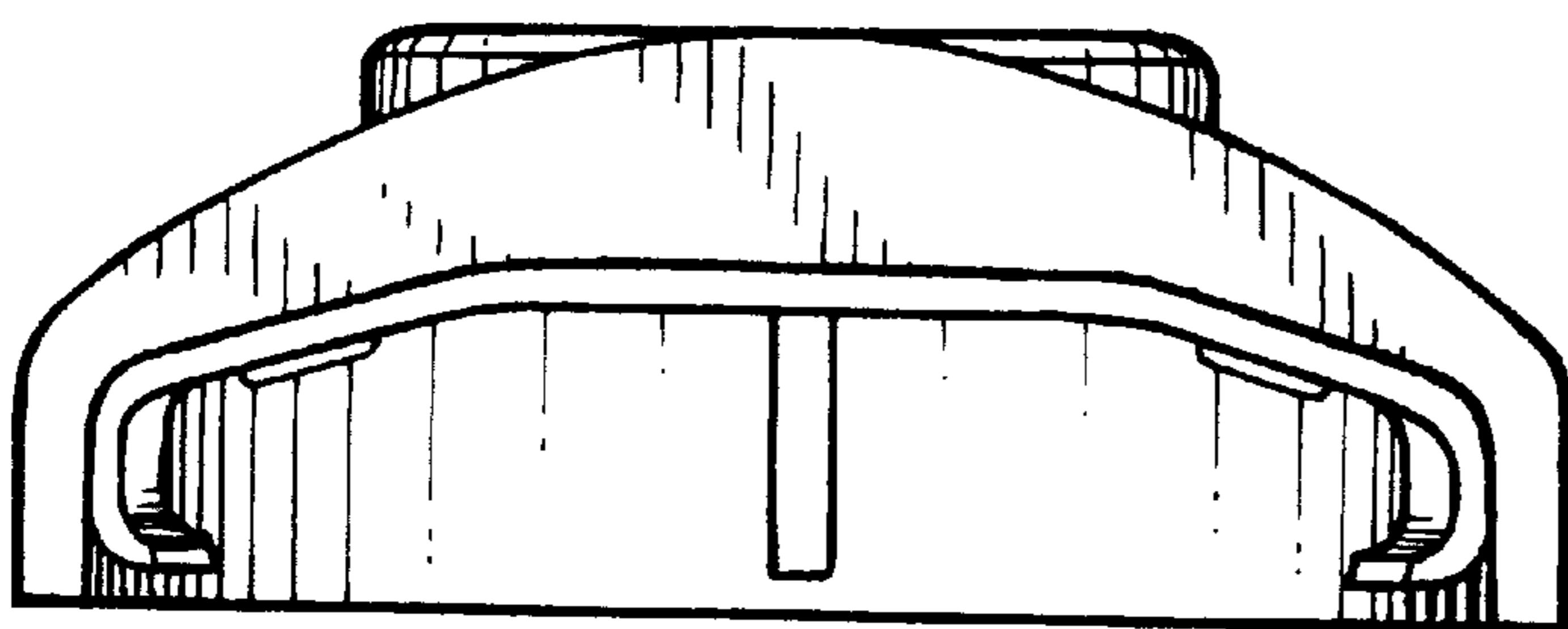


Fig. 9

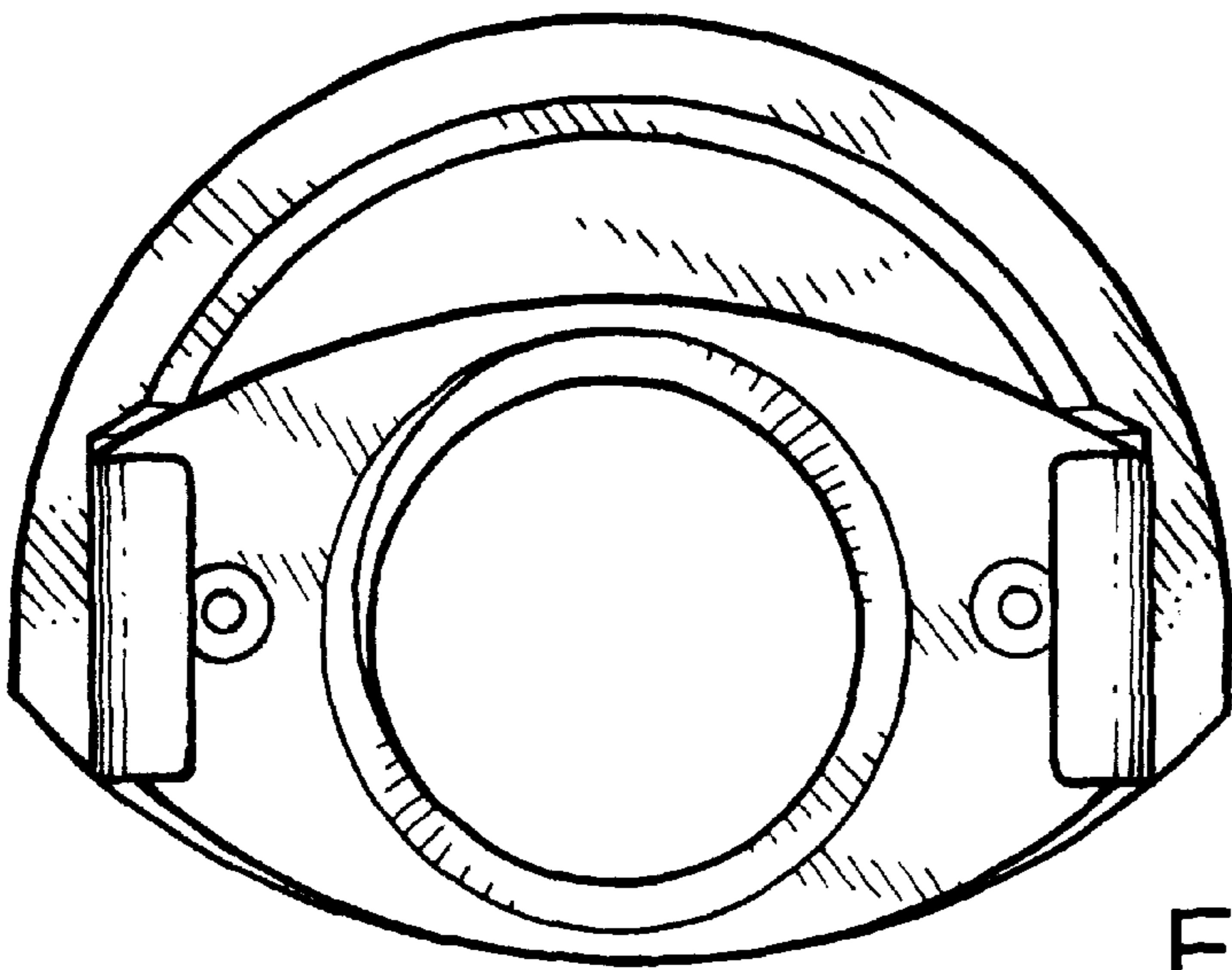


Fig.10

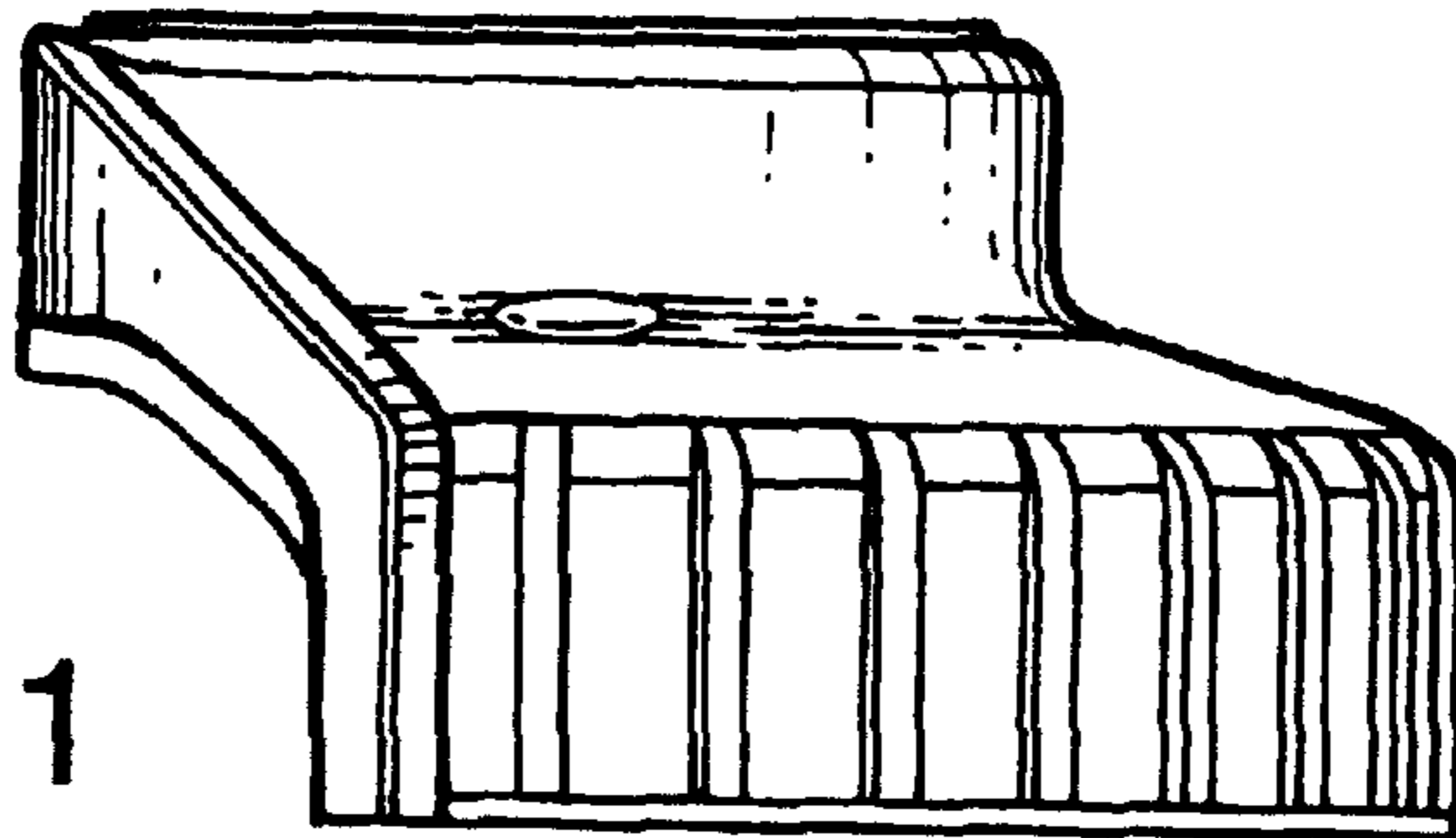


Fig.11

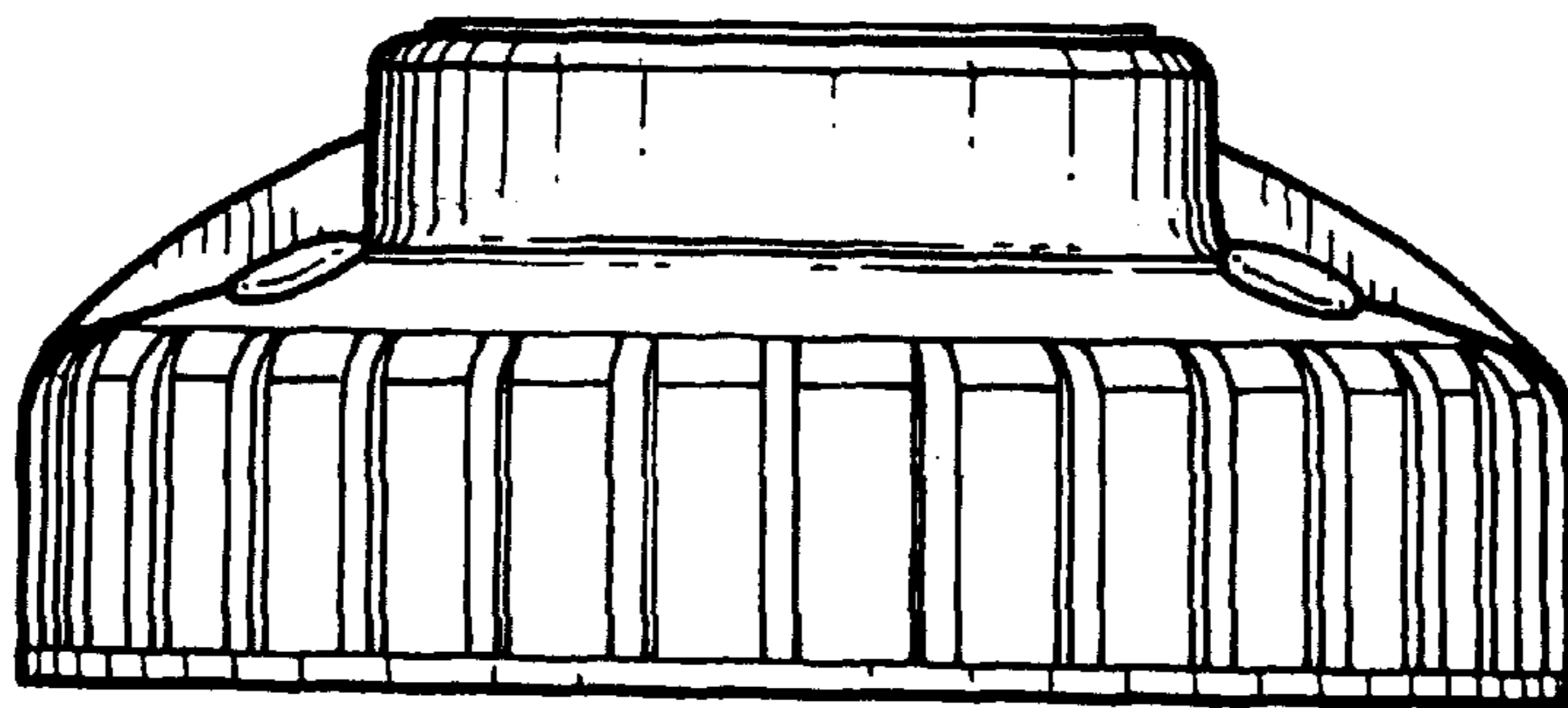


Fig.12