



US00D446420B1

(12) **United States Design Patent**  
**Donnell**

(10) **Patent No.:** **US D446,420 S**

(45) **Date of Patent:** **\*\* Aug. 14, 2001**

(54) **CONTAINER AND DISPENSER FOR LIQUID**

(76) Inventor: **Gregory J. Donnell**, R.D. 1 Box 245D,  
Franklin, NY (US) 13775

(\*\*) Term: **14 Years**

(21) Appl. No.: **29/116,750**

(22) Filed: **Jan. 10, 2000**

(51) **LOC (7) Cl.** ..... **07-99**

(52) **U.S. Cl.** ..... **D7/396.2; D7/509; D7/510**

(58) **Field of Search** ..... **D7/396.2, 509,**  
**D7/510, 511, 514, 515, 507; 220/669, 715,**  
**713, 23.83; 215/390, 393, 254; D9/307;**  
**D14/143, 147**

(56) **References Cited**

**U.S. PATENT DOCUMENTS**

D. 319,441	*	8/1991	Konno et al.	.....	D14/147
D. 359,881	*	7/1995	Hampton	.....	D7/507
D. 374,797	*	10/1996	Squire et al.	.....	D7/515
D. 389,700	*	1/1998	Bingham	.....	D7/509
D. 419,032	*	1/2000	Stern et al.	.....	D7/515
D. 436,293	*	1/2001	Hensch	.....	D7/510

\* cited by examiner

*Primary Examiner*—M. N. Pandozzi

(74) *Attorney, Agent, or Firm*—George R. McGuire;  
Hancock & Estabrook, LLP

(57) **CLAIM**

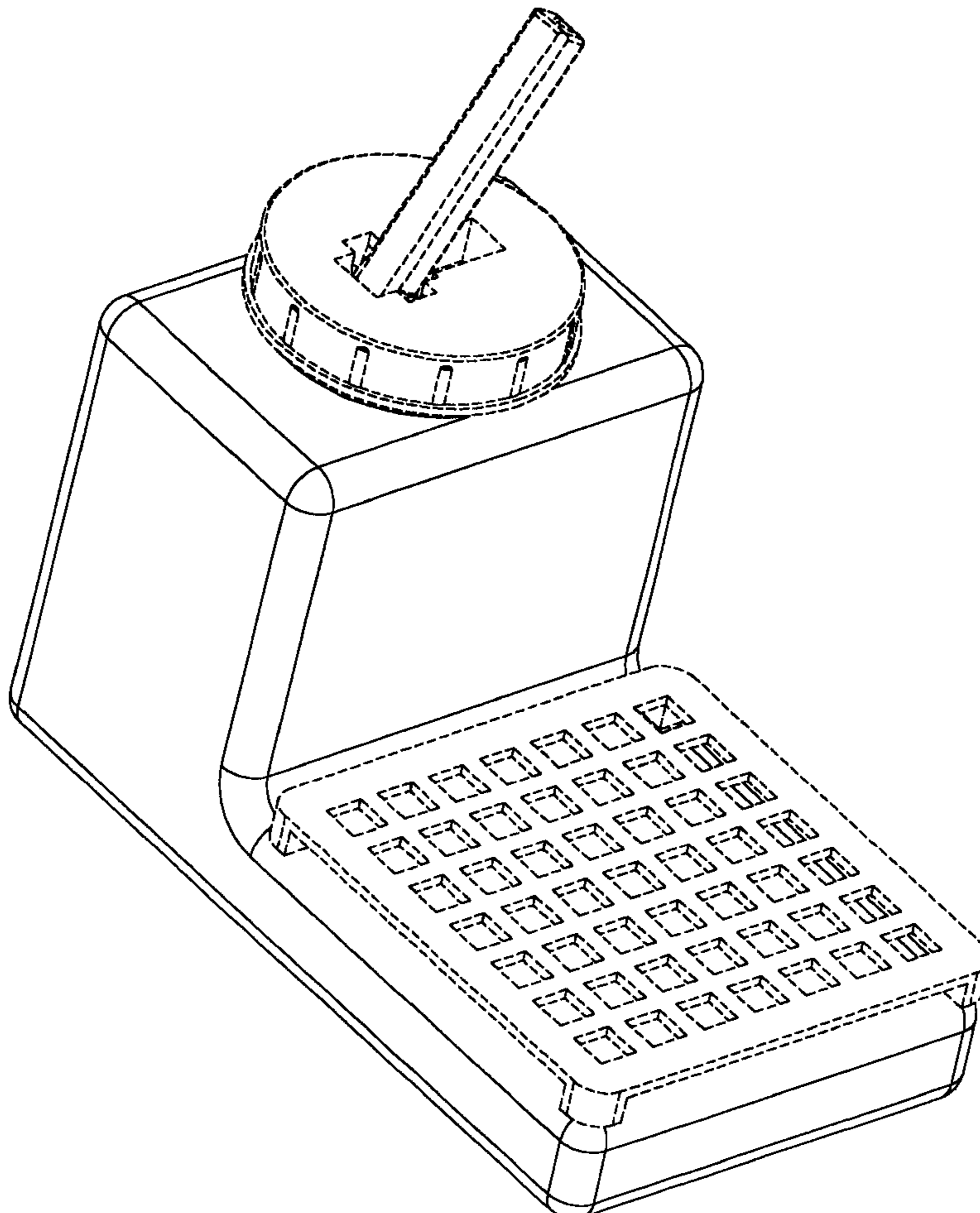
The ornamental design for a container and dispenser for liquid, as shown and described.

**DESCRIPTION**

FIG. 1 is a perspective view illustrating my new design for a container and dispenser for a liquid, with the tray, cap and straw being shown in phantom for illustrative purposes only; FIG. 2 is a front elevational view thereof; FIG. 3 is a top plan view thereof; FIG. 4 is a rear elevational view thereof; FIG. 5 is a right side elevational view thereof; FIG. 6 is a bottom plan view thereof; and, FIG. 7 is a left side elevational view thereof.

The broken lines in FIGS. 1—5 and 7 is for illustrative purposes only and forms no part of the claimed design.

**1 Claim, 7 Drawing Sheets**



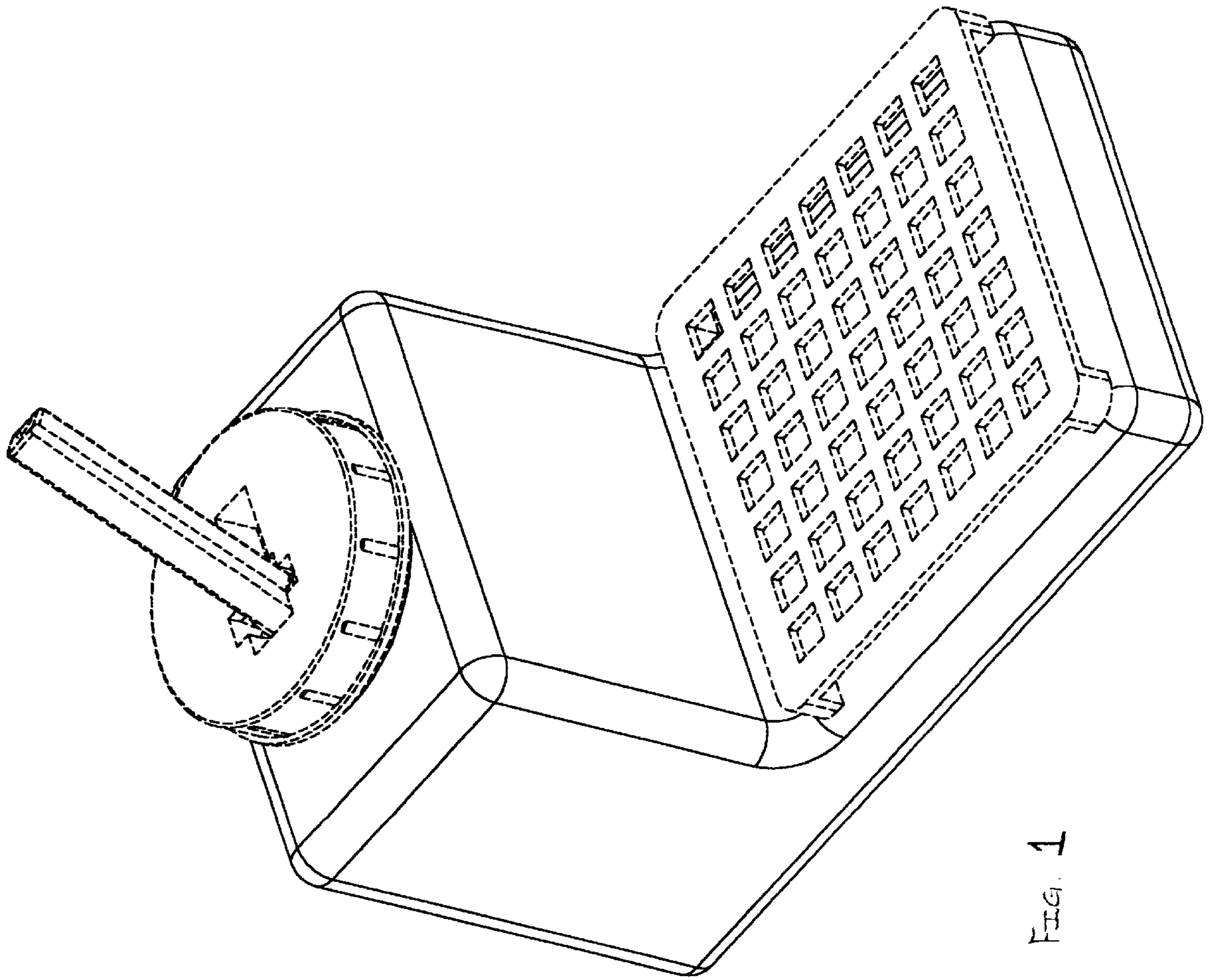


FIG. 1

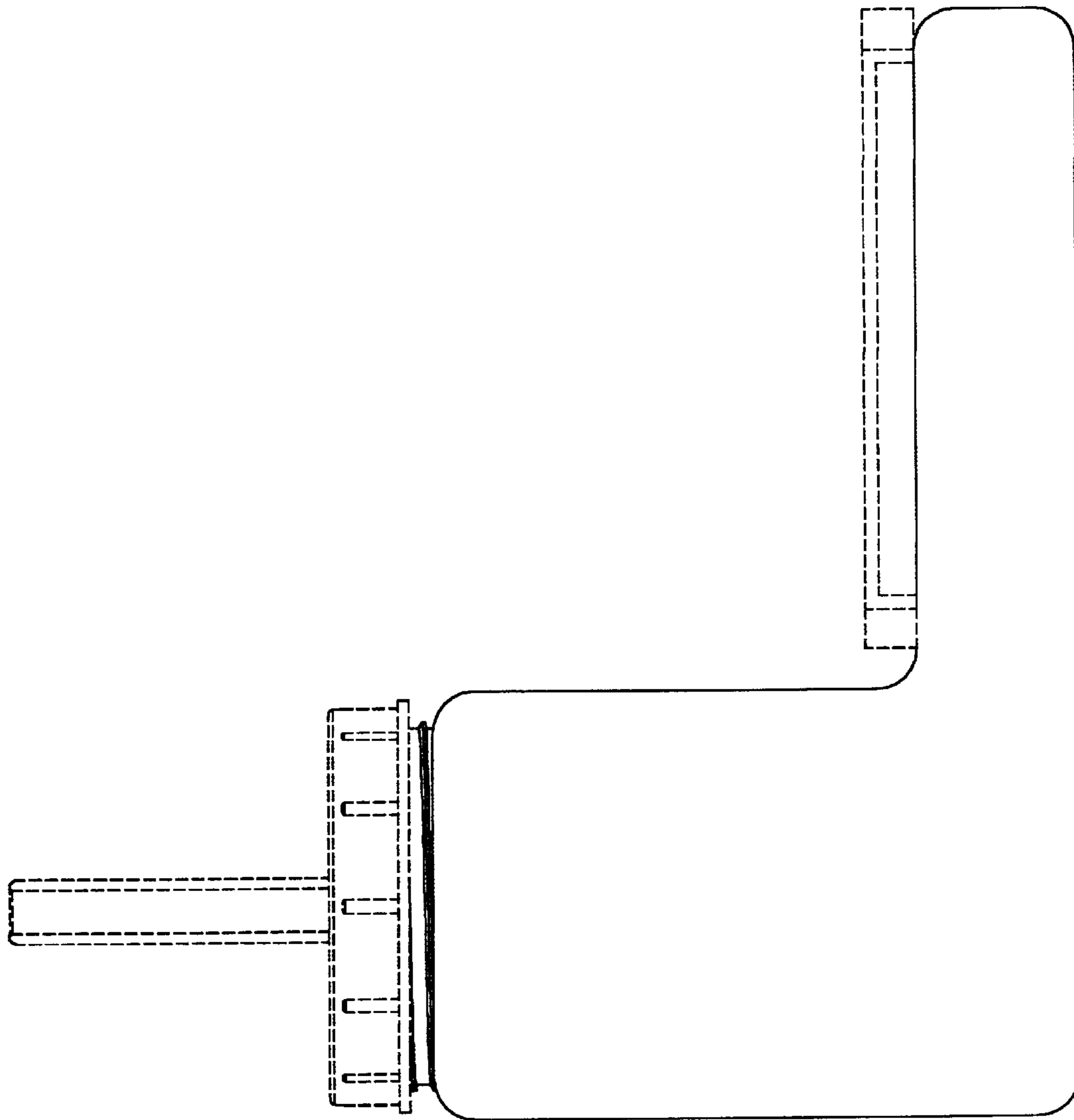


FIG. 2

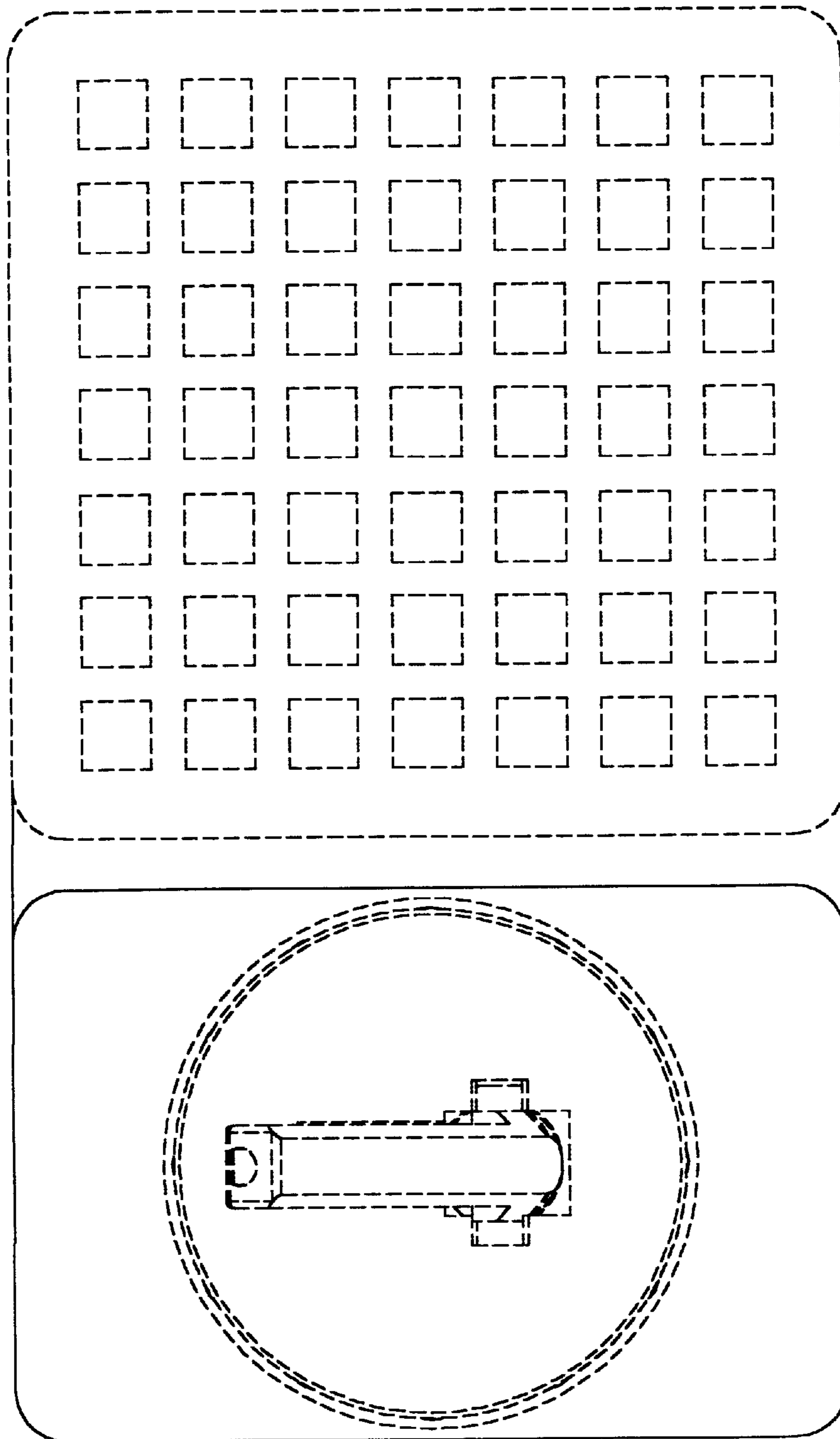


FIG. 3

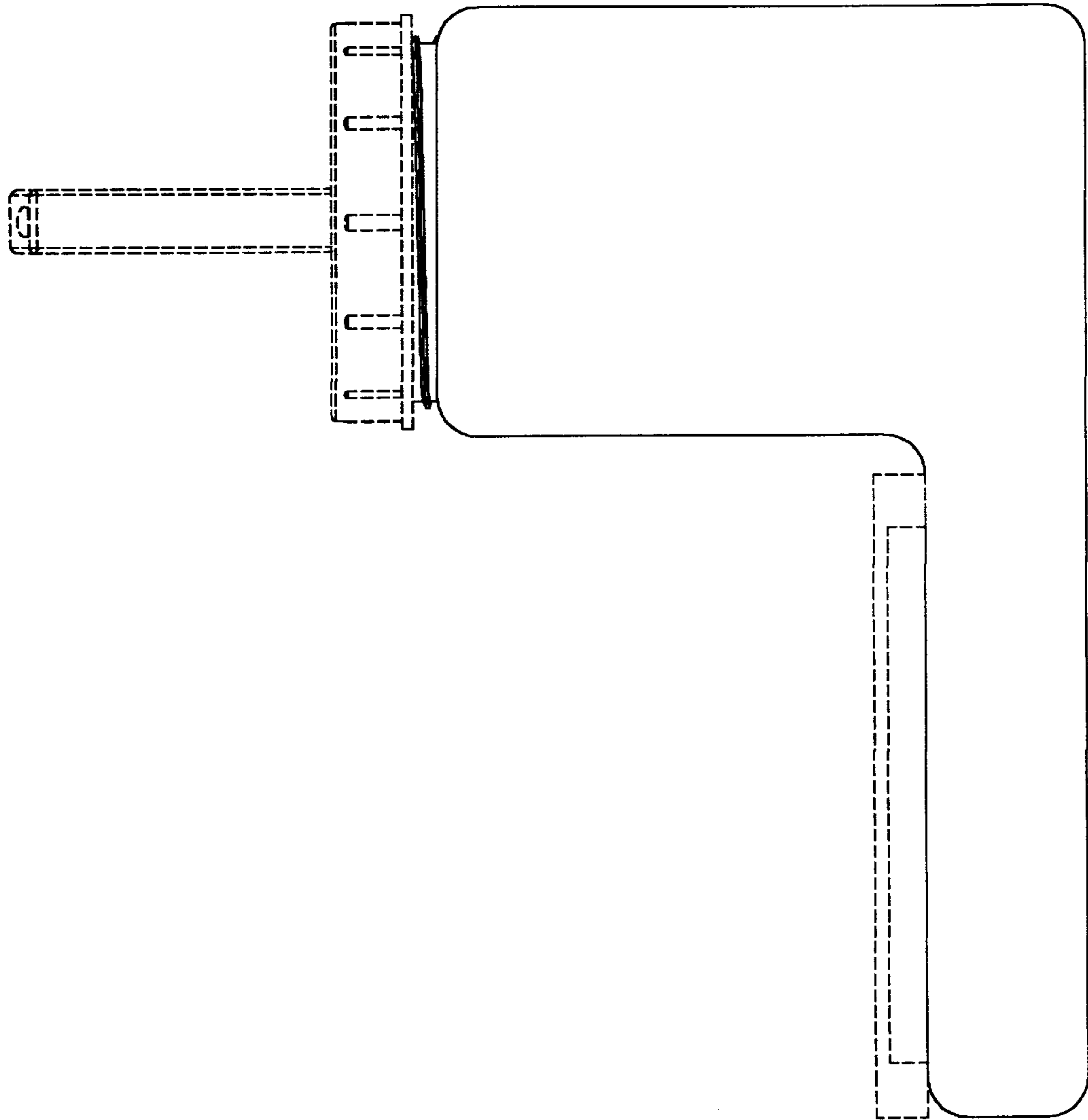


FIG. 4

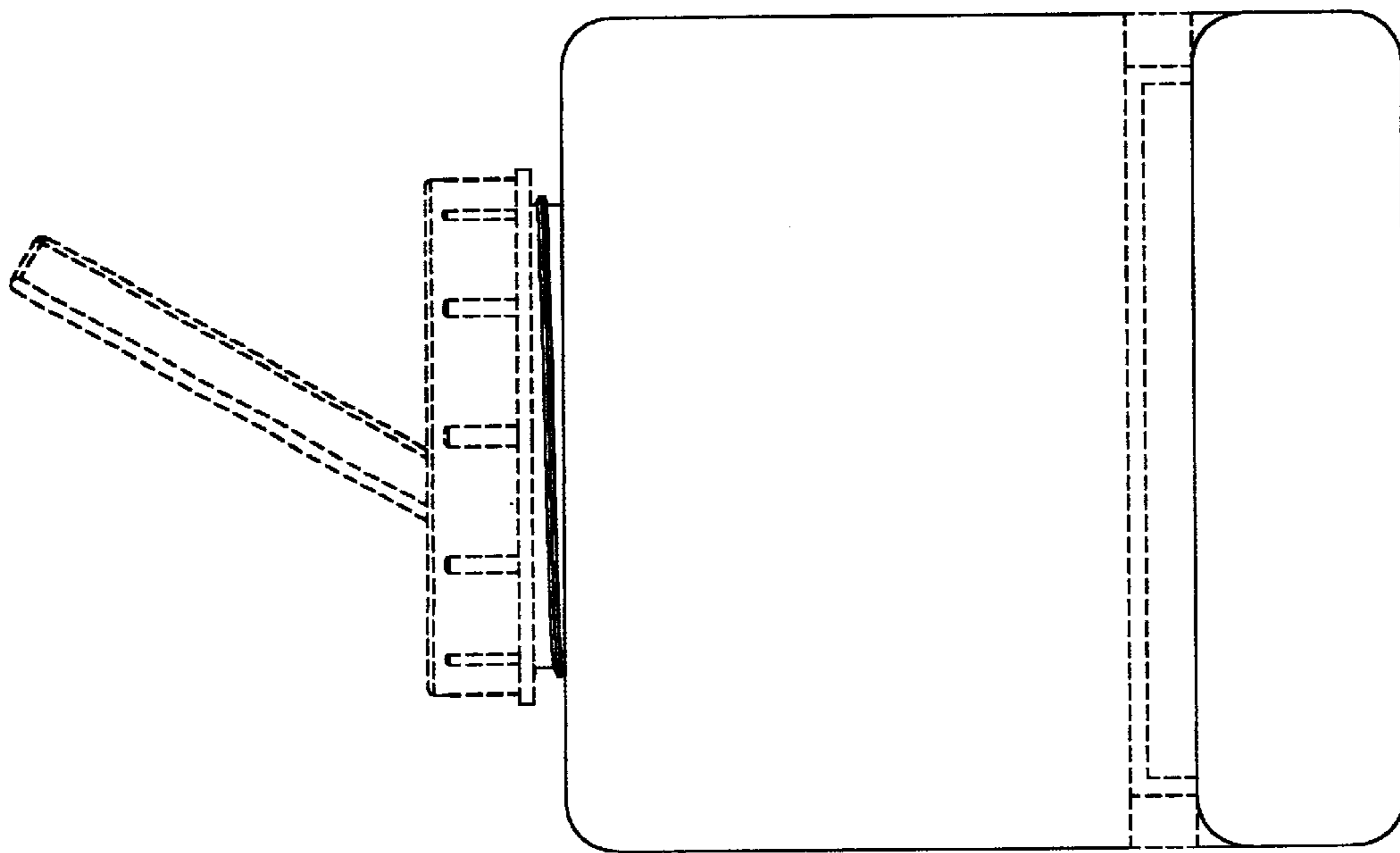


FIG. 5

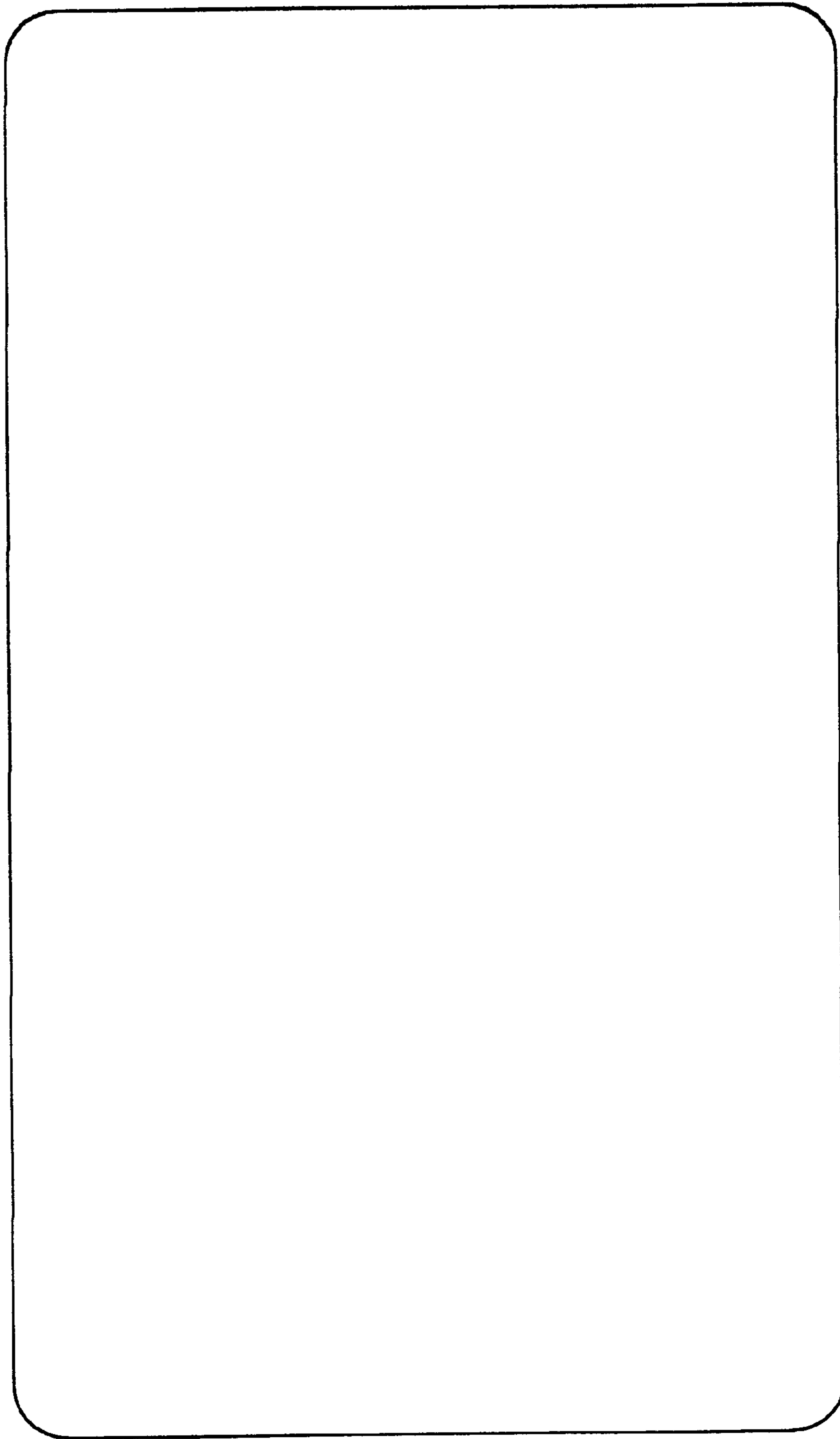


FIG. 6

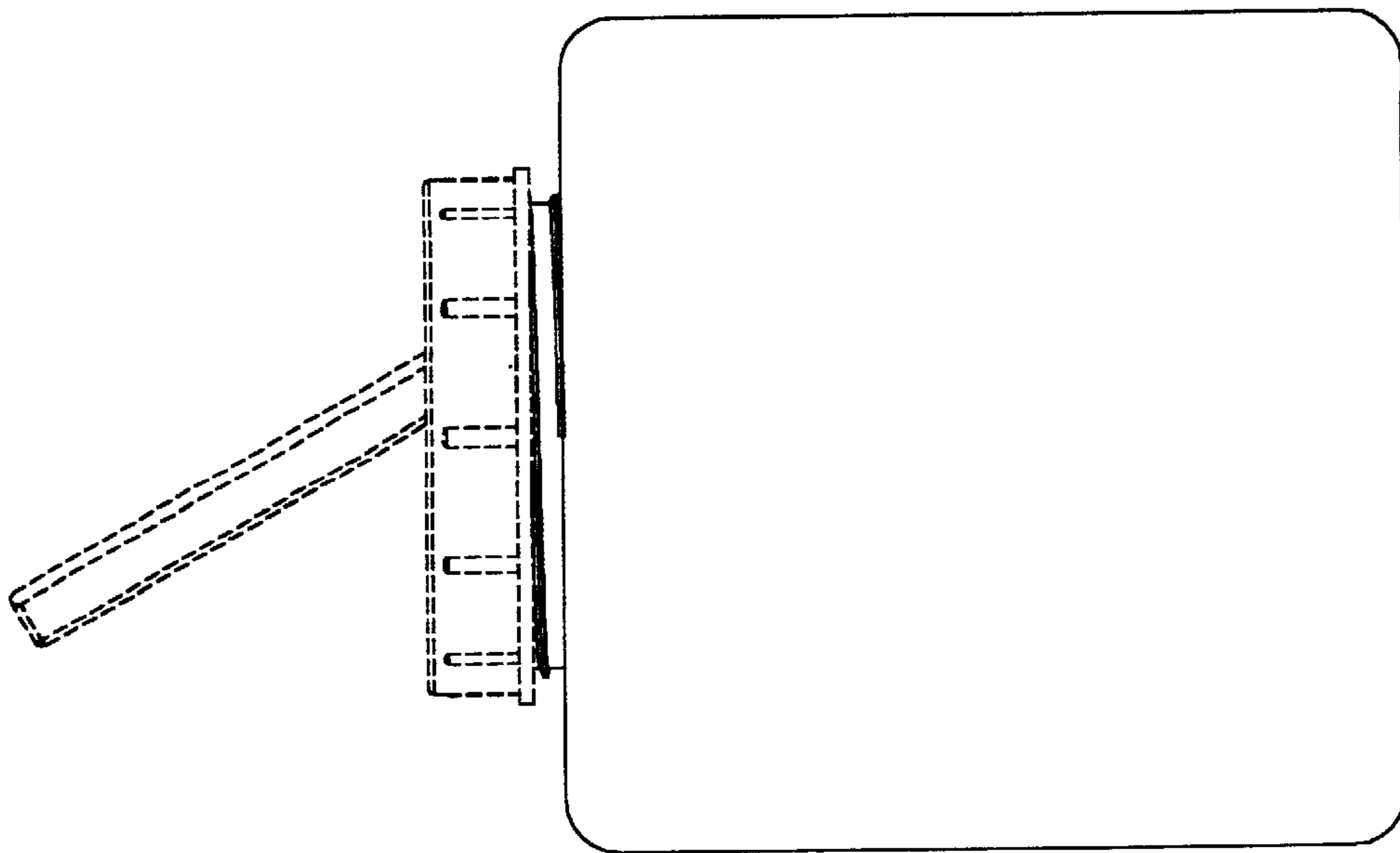


FIG. 7