



US00D446418B1

(12) **United States Design Patent**
Cruz

(10) **Patent No.:** **US D446,418 S**

(45) **Date of Patent:** **** Aug. 14, 2001**

(54) **TOASTER OVEN**

(75) **Inventor:** **Anthony V. Cruz**, Calabasas, CA (US)

(73) **Assignee:** **Hamilton Beach/Proctor-Silex, Inc.**,
Glen Allen, VA (US)

(**) **Term:** **14 Years**

(21) **Appl. No.:** **29/105,823**

(22) **Filed:** **Jun. 3, 1999**

(51) **LOC (7) Cl.** **07-02**

(52) **U.S. Cl.** **D7/350.4**

(58) **Field of Search** D7/350-351, 402;
126/273 R, 273 A, 275 R, 275 E, 19 M,
21 A; 219/678, 680, 756-758

(56) **References Cited**

U.S. PATENT DOCUMENTS

D. 301,428	6/1989	Viancin .	
D. 336,814	6/1993	Brookshire .	
D. 380,643	7/1997	Piret .	
D. 381,861	8/1997	Rorke et al. .	
D. 386,938	* 12/1997	Piret	D7/350
D. 403,201	12/1998	Cruz et al. .	
D. 406,721	* 3/1999	Schubert-Belle et al.	D7/350
D. 412,637	* 8/1999	Piret	D7/350
D. 415,926	* 11/1999	De'Longhi	D7/350
D. 420,245	* 2/2000	De'Longhi	D7/351
4,413,173	11/1983	Grove et al. .	

OTHER PUBLICATIONS

Photocopy of catalog page showing toaster oven embodying design of the instant application and sold beginning within one year prior to Jun. 3, 1999.

Photocopy of catalog page showing toaster oven embodying design of copending application 29/106,624 and sold beginning within one year prior to Jun. 3, 1999.

* cited by examiner

Primary Examiner—Ruth McInroy

(74) *Attorney, Agent, or Firm*—Roger S. Dybvig

(57) **CLAIM**

The ornamental design for toaster oven, as shown and described.

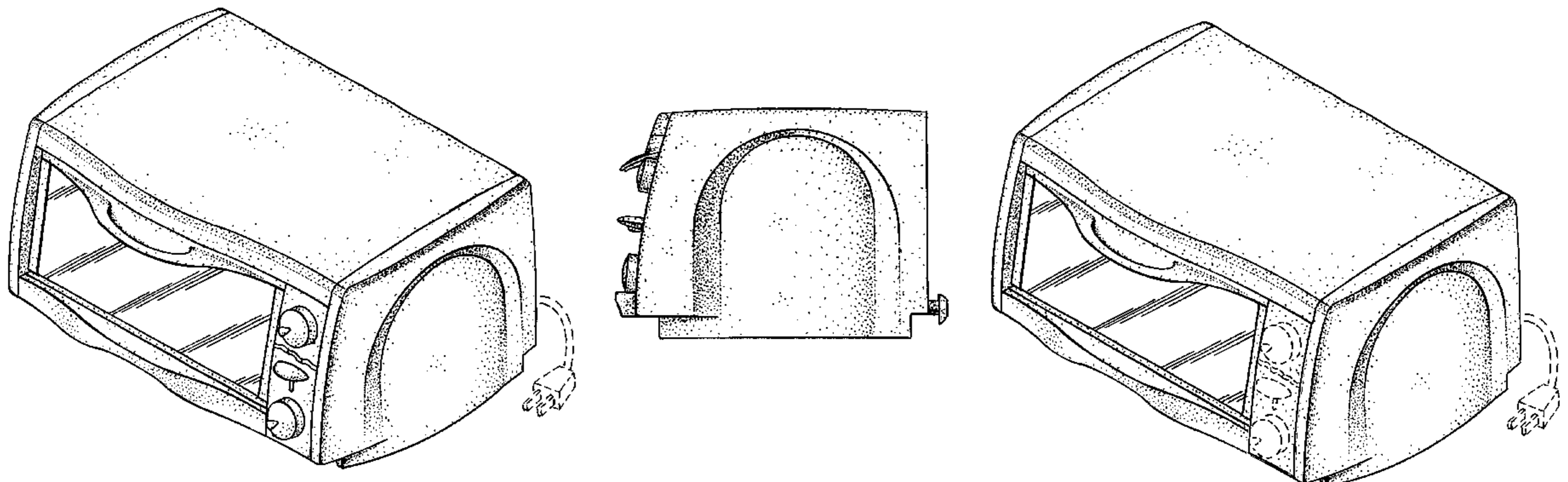
DESCRIPTION

FIG. 1 is a perspective view as seen from the top, front, and right side of a toaster oven showing my new design; FIG. 2 is a front elevational view thereof; FIG. 3 is a top plan view thereof; FIG. 4 is a rear elevational view thereof; FIG. 5 is a right side elevational view thereof; FIG. 6 is a left side elevational view thereof; FIG. 7 is a bottom plan view thereof; FIG. 8 is a perspective view as seen from the top, front, and right side of a second embodiment toaster for a toaster oven showing my new design; FIG. 9 is a front elevational view thereof; FIG. 10 is a top plan view thereof; FIG. 11 is a rear elevational view thereof; FIG. 12 is a right side elevational view thereof; FIG. 13 is a left side elevational view thereof; and, FIG. 14 is a bottom plan view thereof.

The broken lines in FIG. 1 showing the power cord are used for illustrative purposes only and form no part of the claimed design.

The broken lines in FIG. 8 showing the power cord and the control knobs are used for illustrative purposes only and form no part of the claimed design.

1 Claim, 6 Drawing Sheets



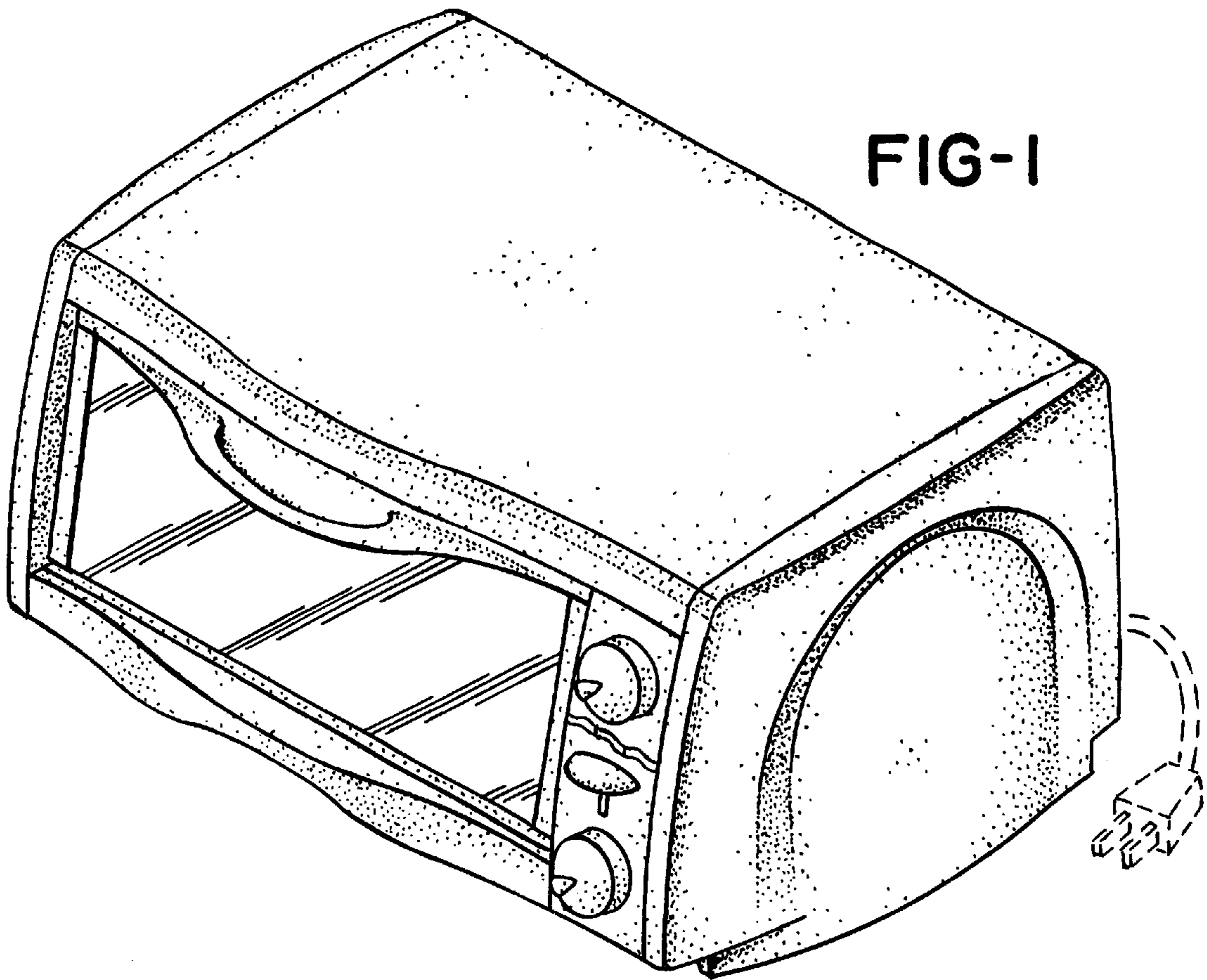


FIG-2

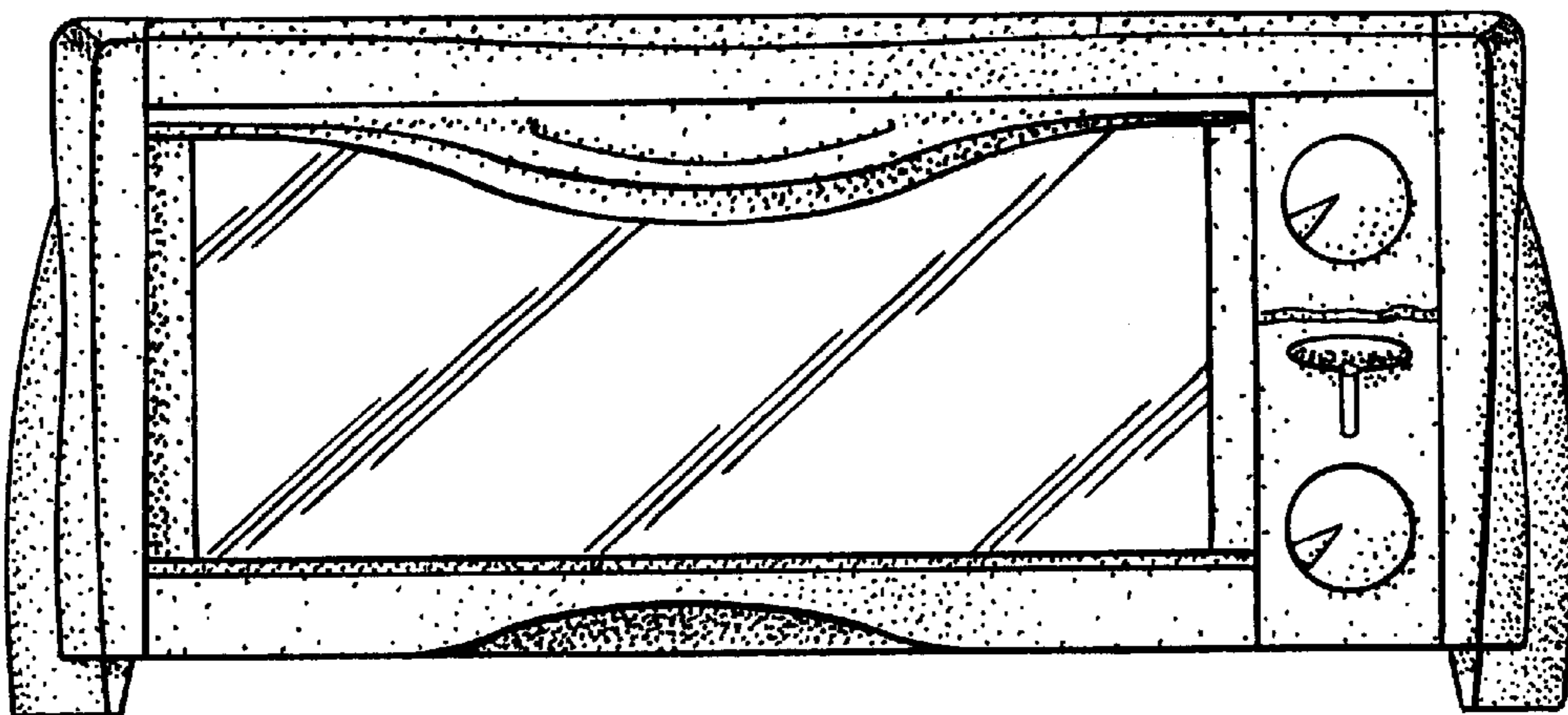


FIG-3

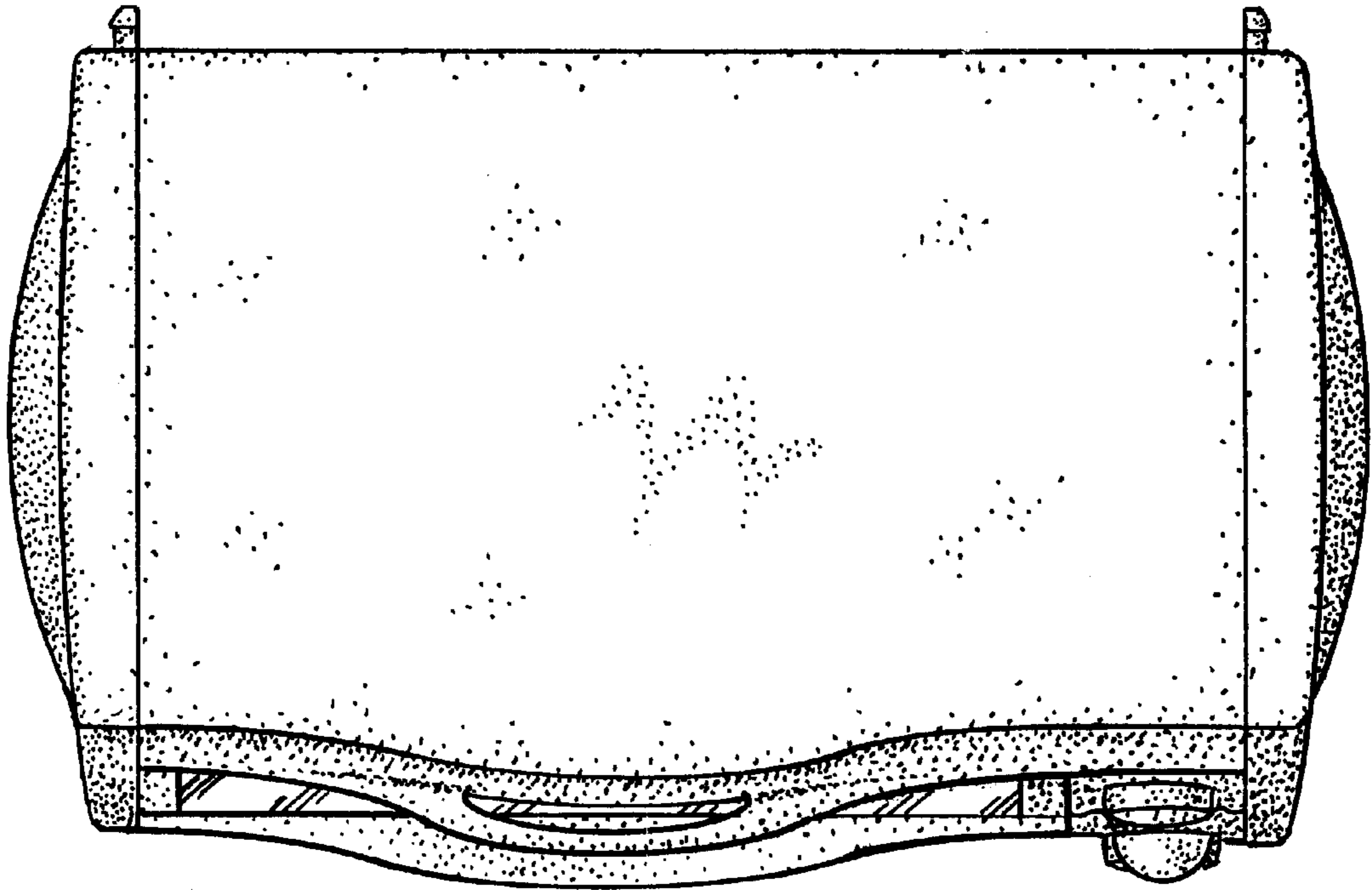


FIG-4

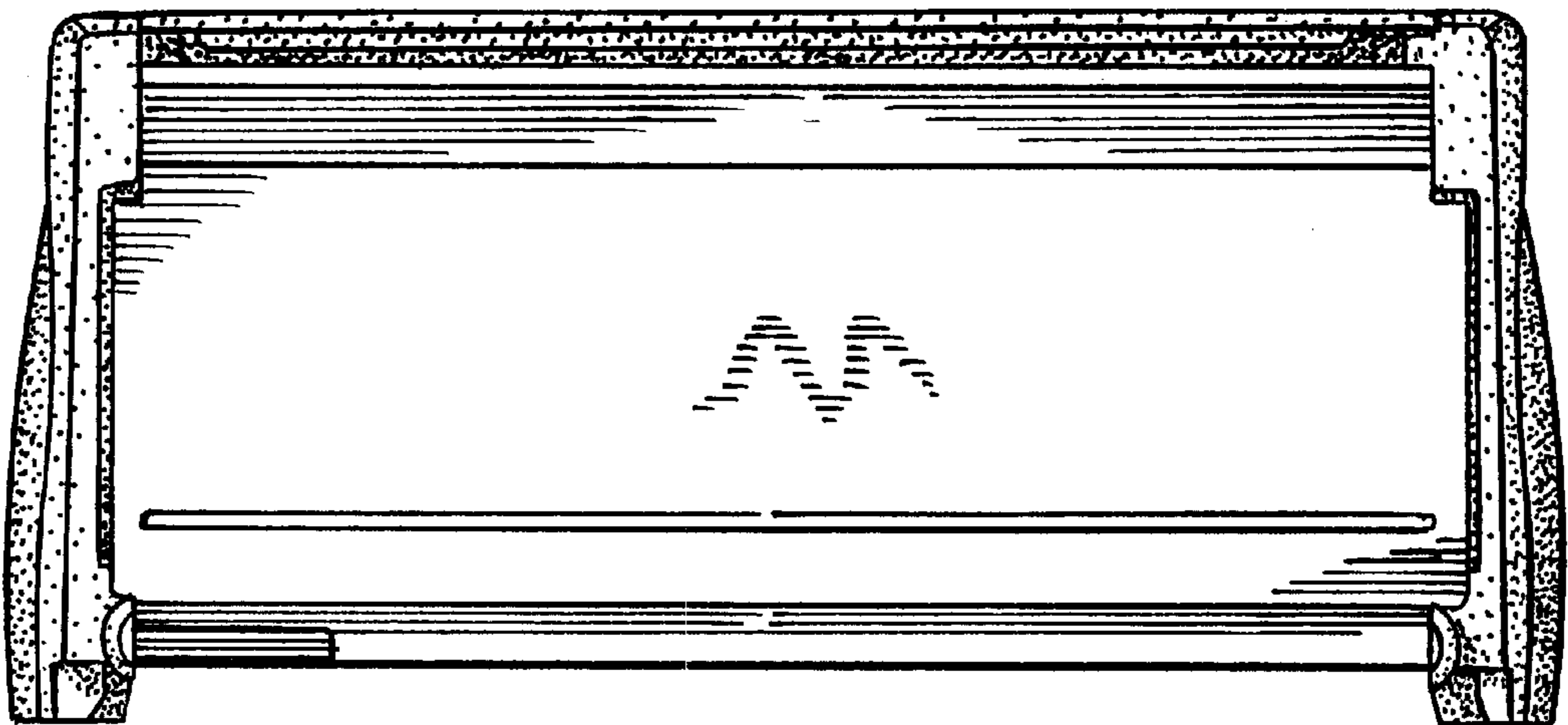


FIG-5

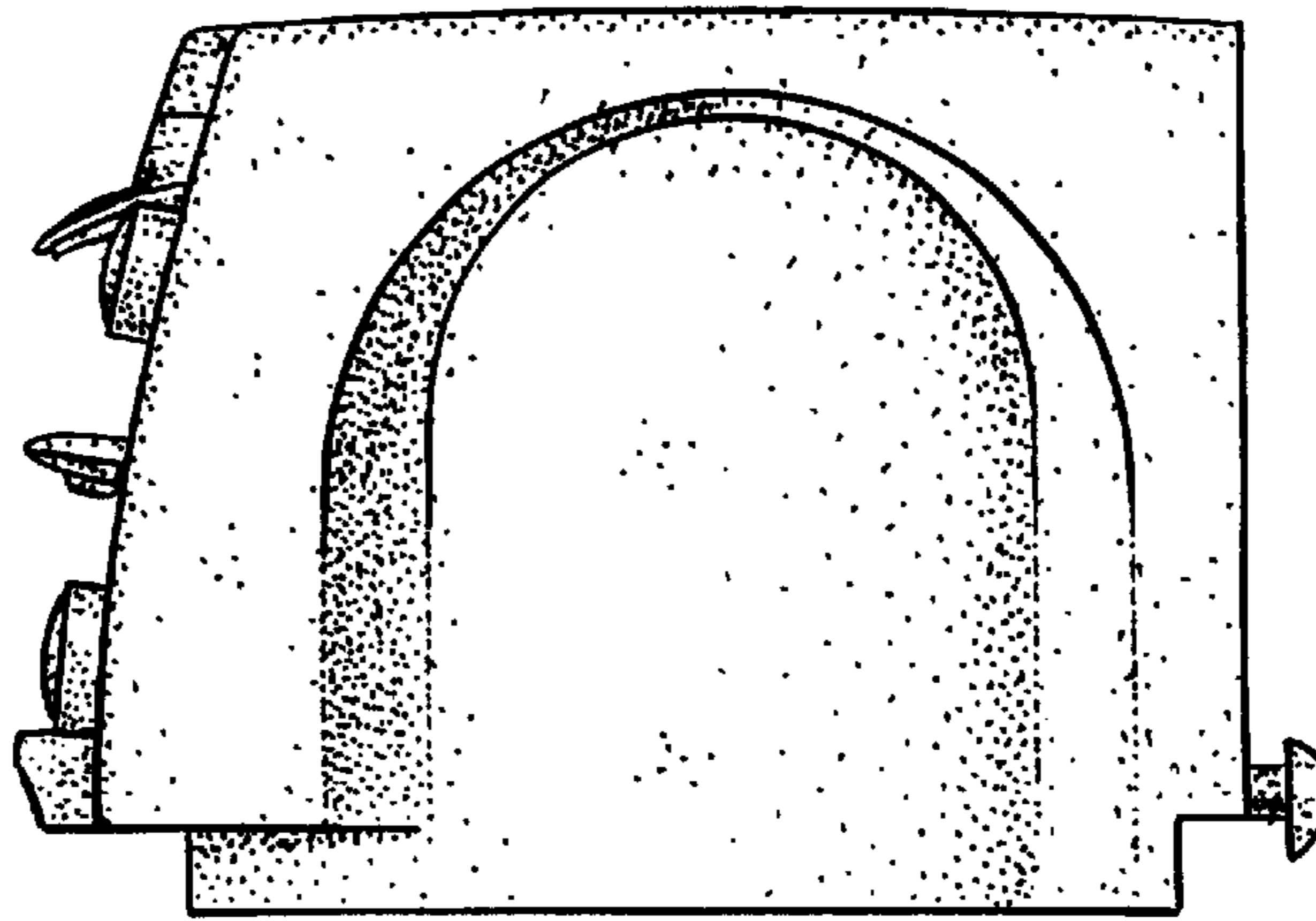


FIG-6

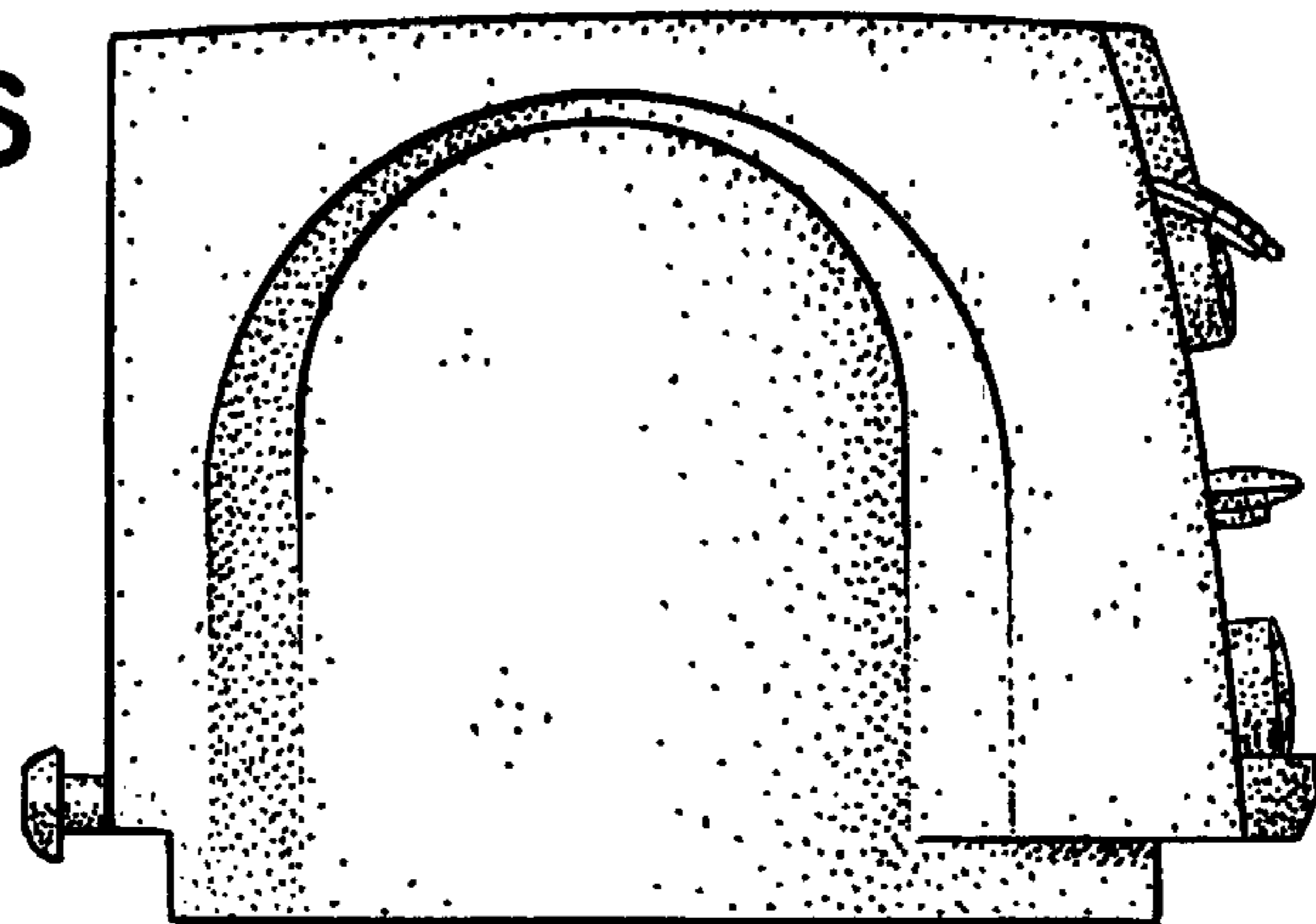
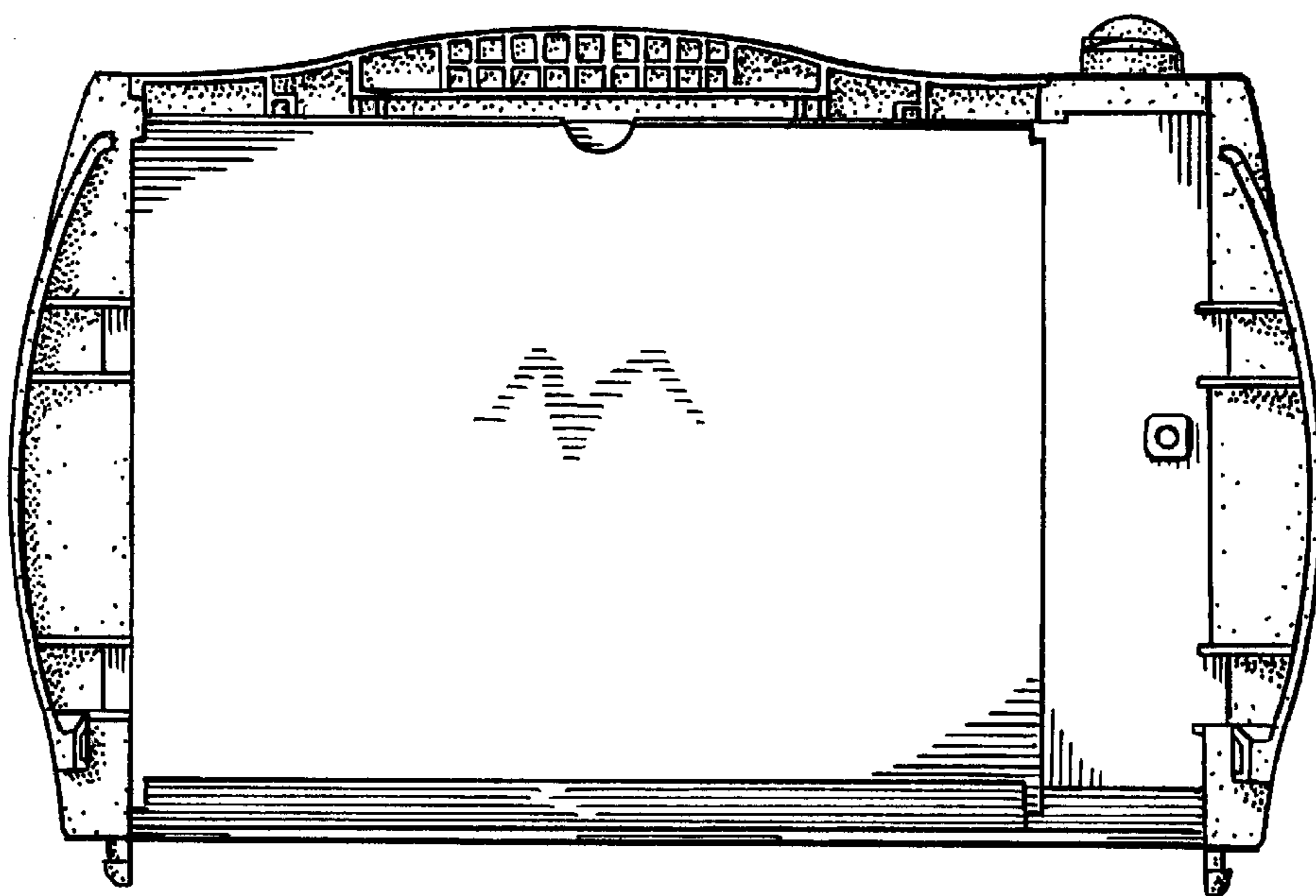


FIG-7



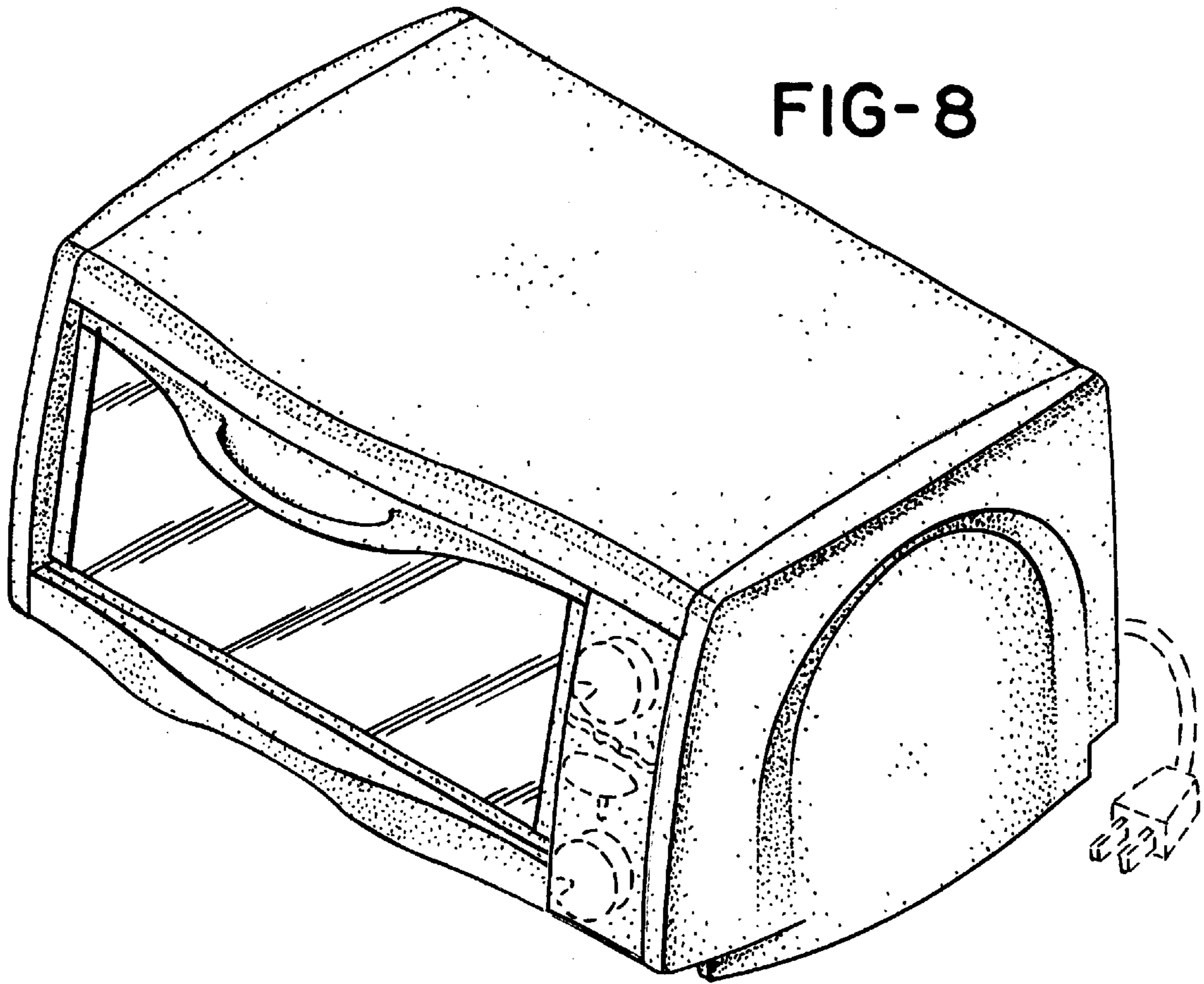


FIG-9

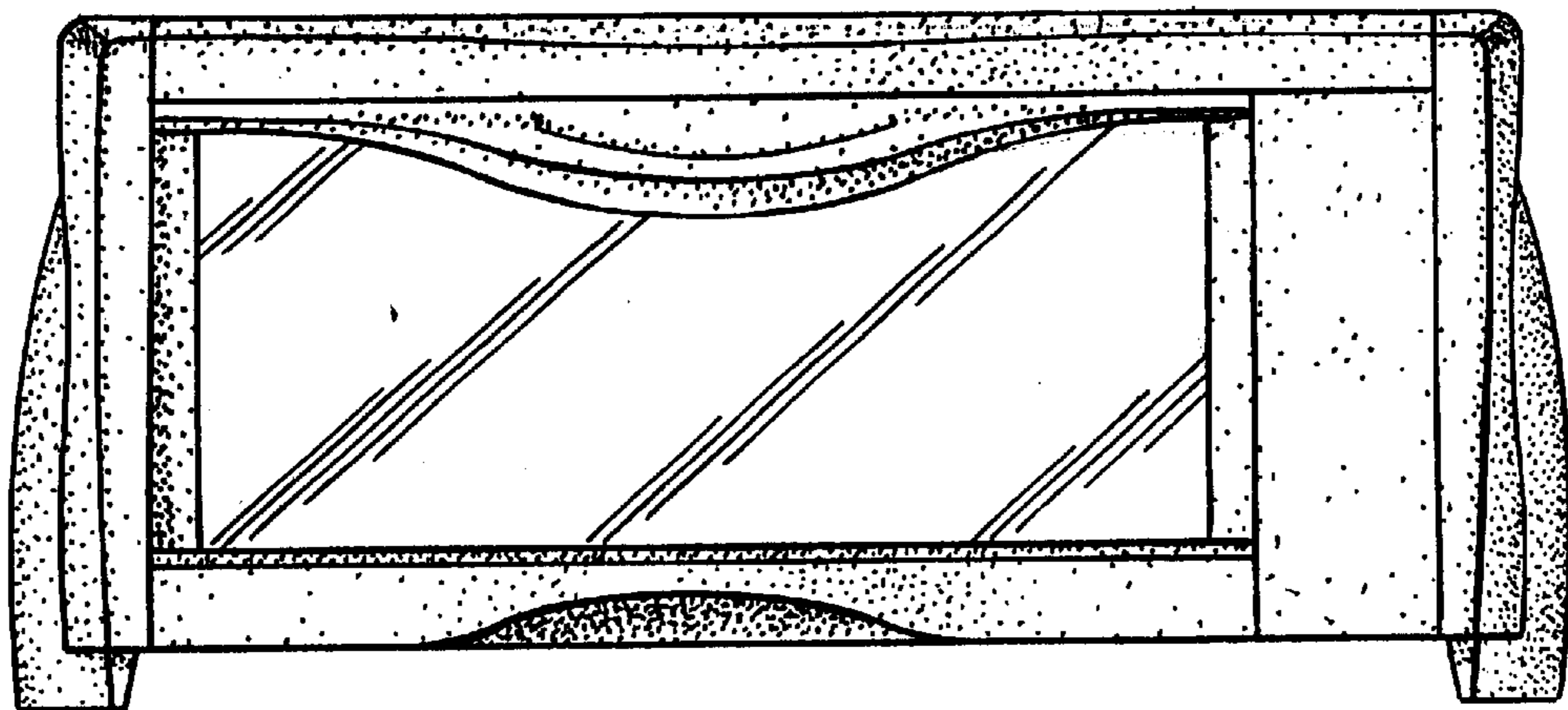


FIG-10

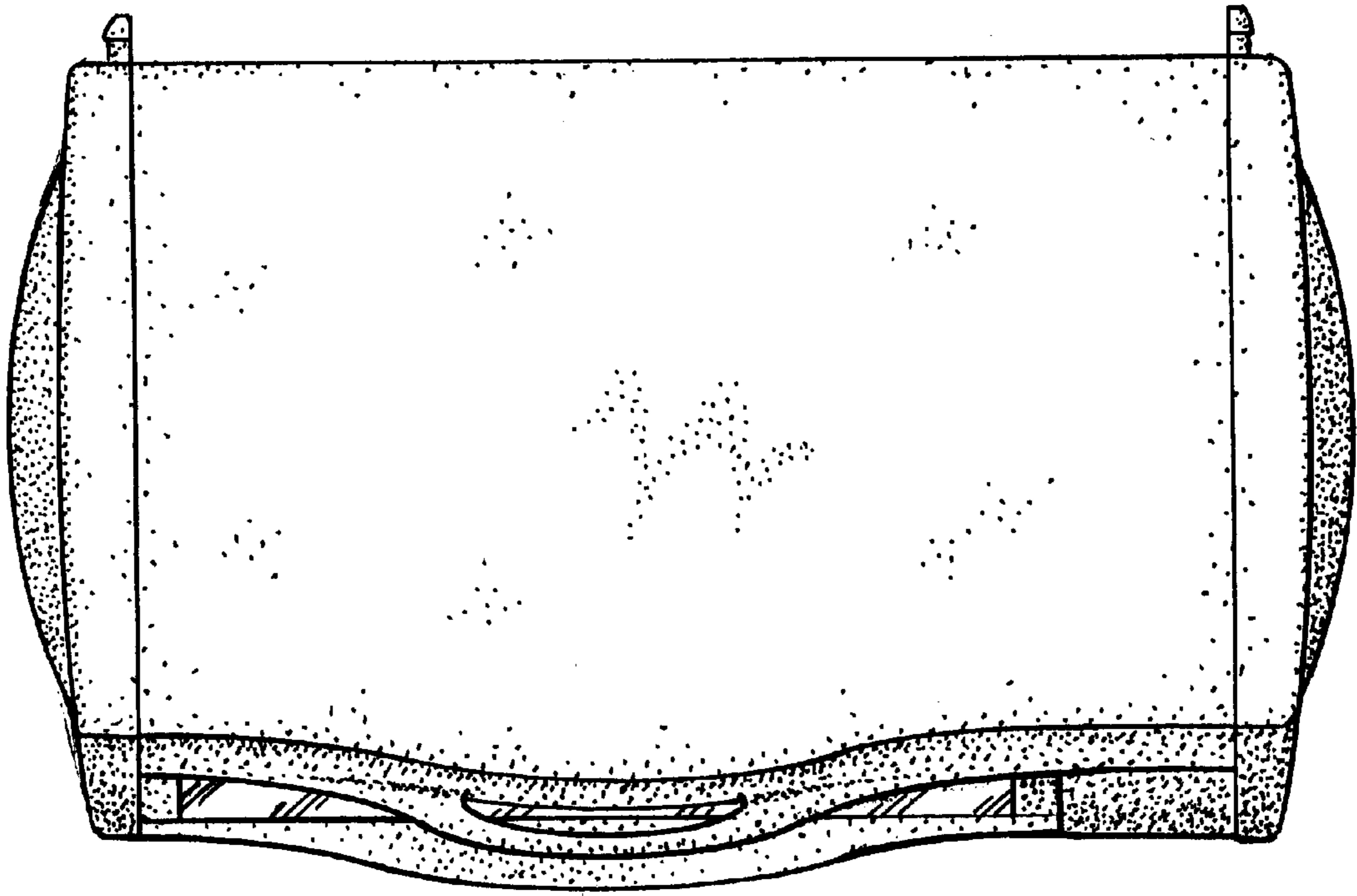


FIG-11

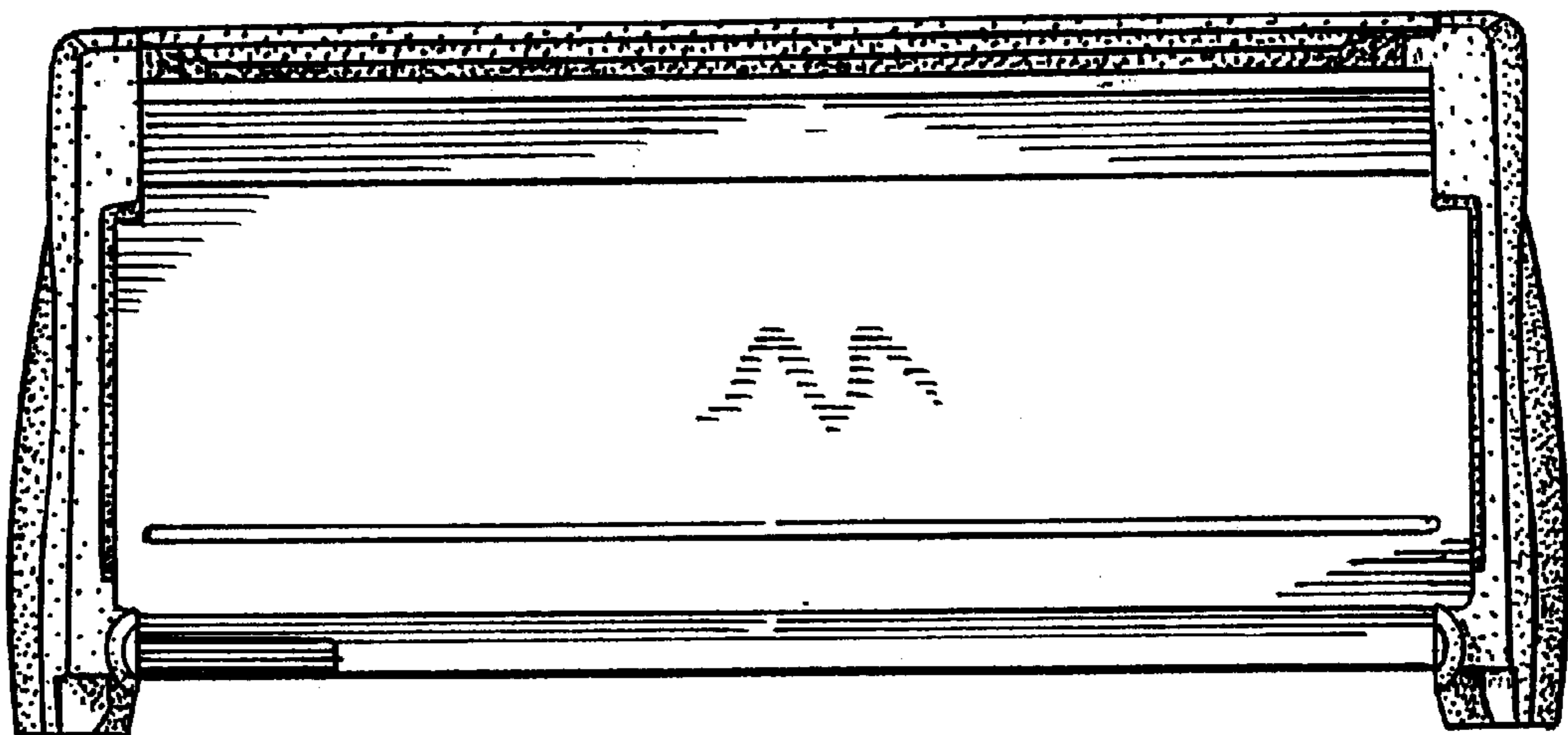


FIG-12

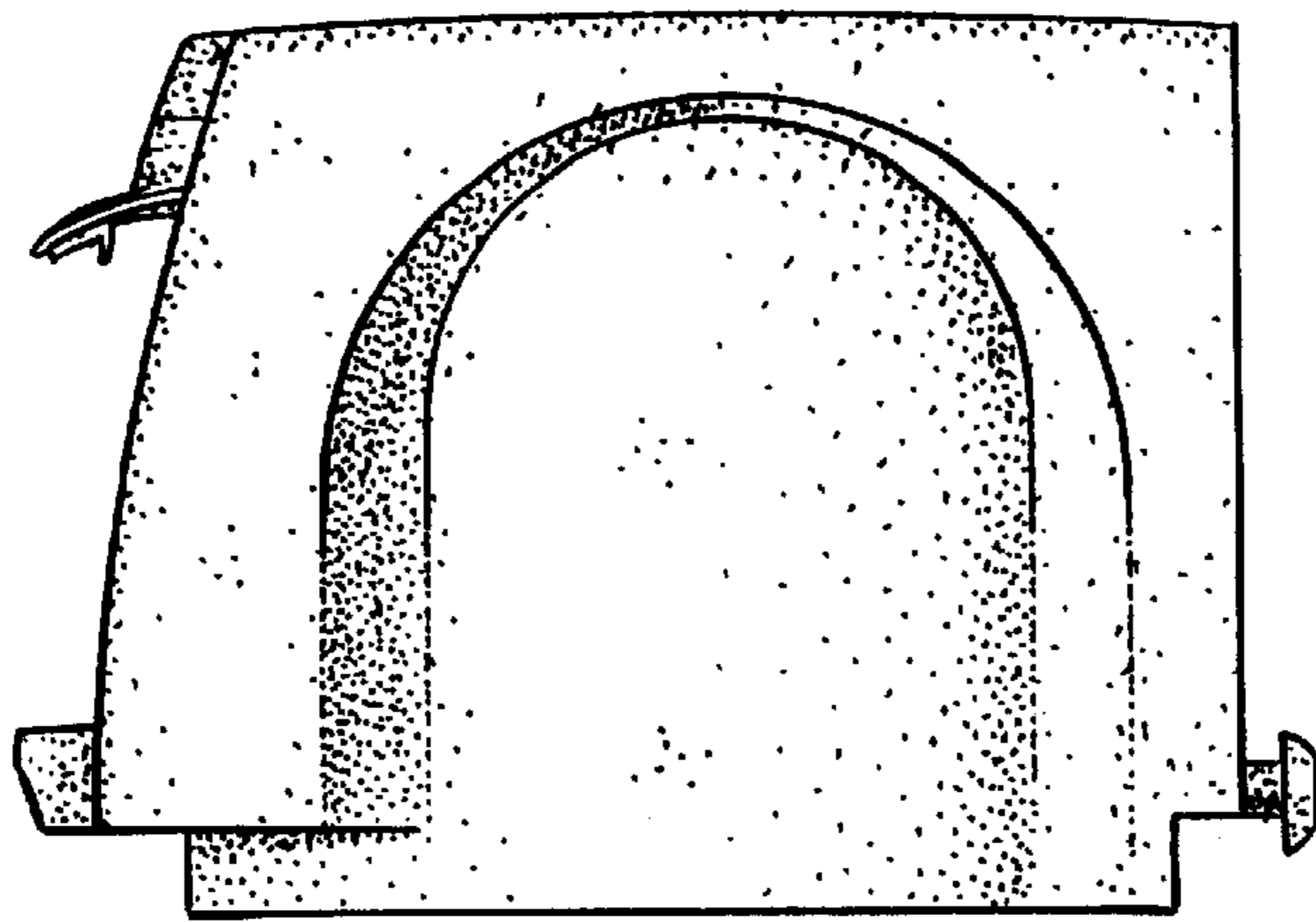


FIG-13

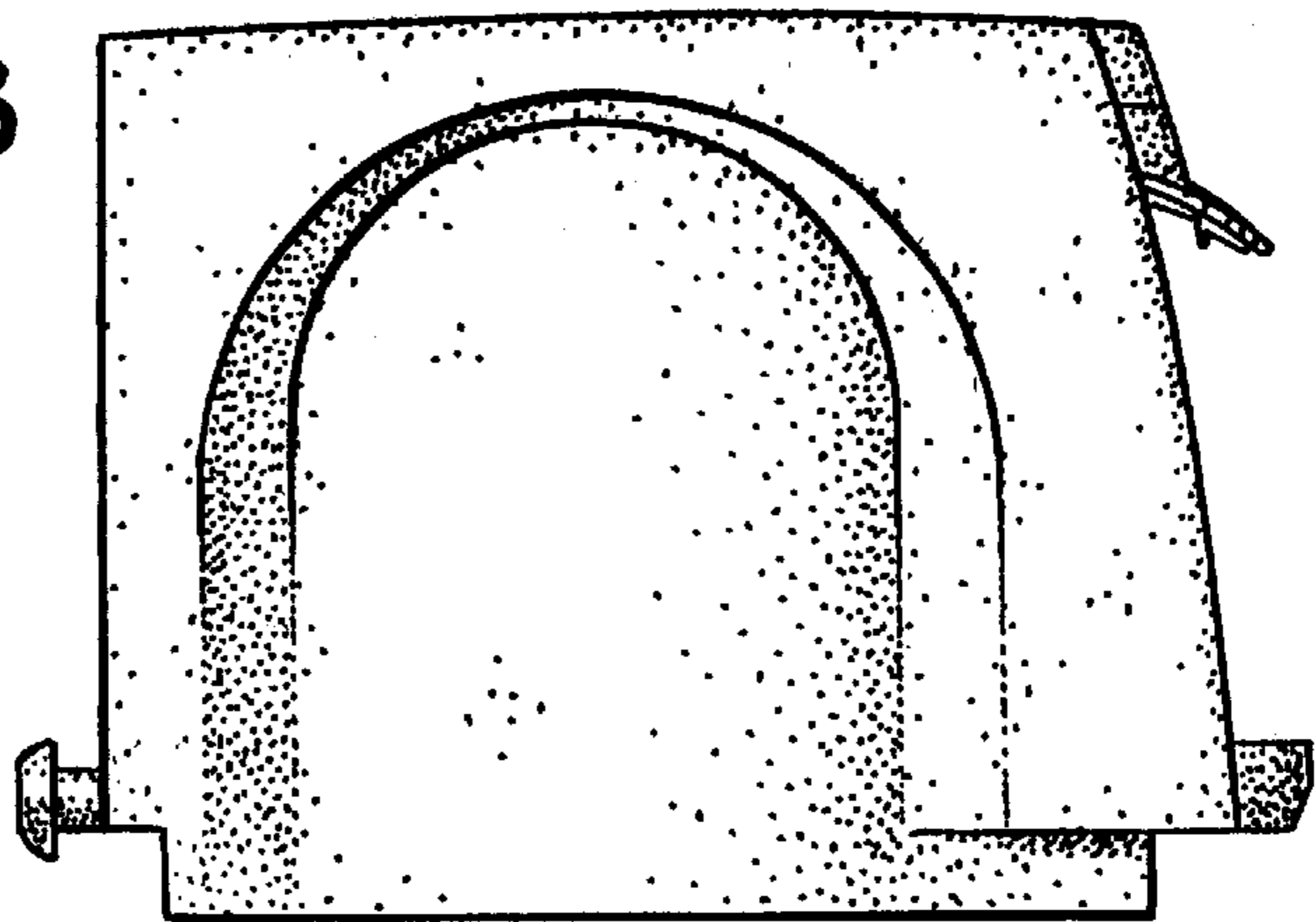


FIG-14

