



US00D446415B1

(12) **United States Design Patent**
Anderson

(10) **Patent No.:** **US D446,415 S**

(45) **Date of Patent:** **** Aug. 14, 2001**

(54) **HANGER PIN WITH A POSITIONER FOR A CONTROL SYSTEM IN AN ARCHITECTURAL COVERING**

Primary Examiner—Holly Baynham

(74) *Attorney, Agent, or Firm*—Dorsey & Whitney LLP

(75) Inventor: **Richard N. Anderson**, Whitesville, KY (US)

(57) **CLAIM**

I claim the ornamental design for a hanger pin with a positioner for a control system in an architectural covering, as shown and described.

(73) Assignee: **Hunter Douglas Inc.**, Upper Saddle River, NJ (US)

DESCRIPTION

(**) Term: **14 Years**

FIG. 1 is an isometric view looking downwardly toward a top, front, and first side of the hanger pin of the present invention;

(21) Appl. No.: **29/120,107**

FIG. 2 is an isometric view looking upwardly at the bottom, front, and second side of the hanger pin;

(22) Filed: **Mar. 14, 2000**

FIG. 3 is a top plan view of the hanger pin;

(51) **LOC (7) Cl.** **06-10**

(52) **U.S. Cl.** **D6/580**

FIG. 4 is an elevation of the second side of the hanger pin;

(58) **Field of Search** D8/382; D6/580; 160/168.1, 84.07

FIG. 5 is a bottom plan view of the hanger pin;

(56) **References Cited**

U.S. PATENT DOCUMENTS

FIG. 6 is a front elevation view of the hanger pin;

FIG. 7 is an elevation of the first side of the hanger pin; and,

5,819,833 * 10/1998 Swiszczy 160/168.1

FIG. 8 is a rear elevation of the hanger pin.

* cited by examiner

1 Claim, 2 Drawing Sheets

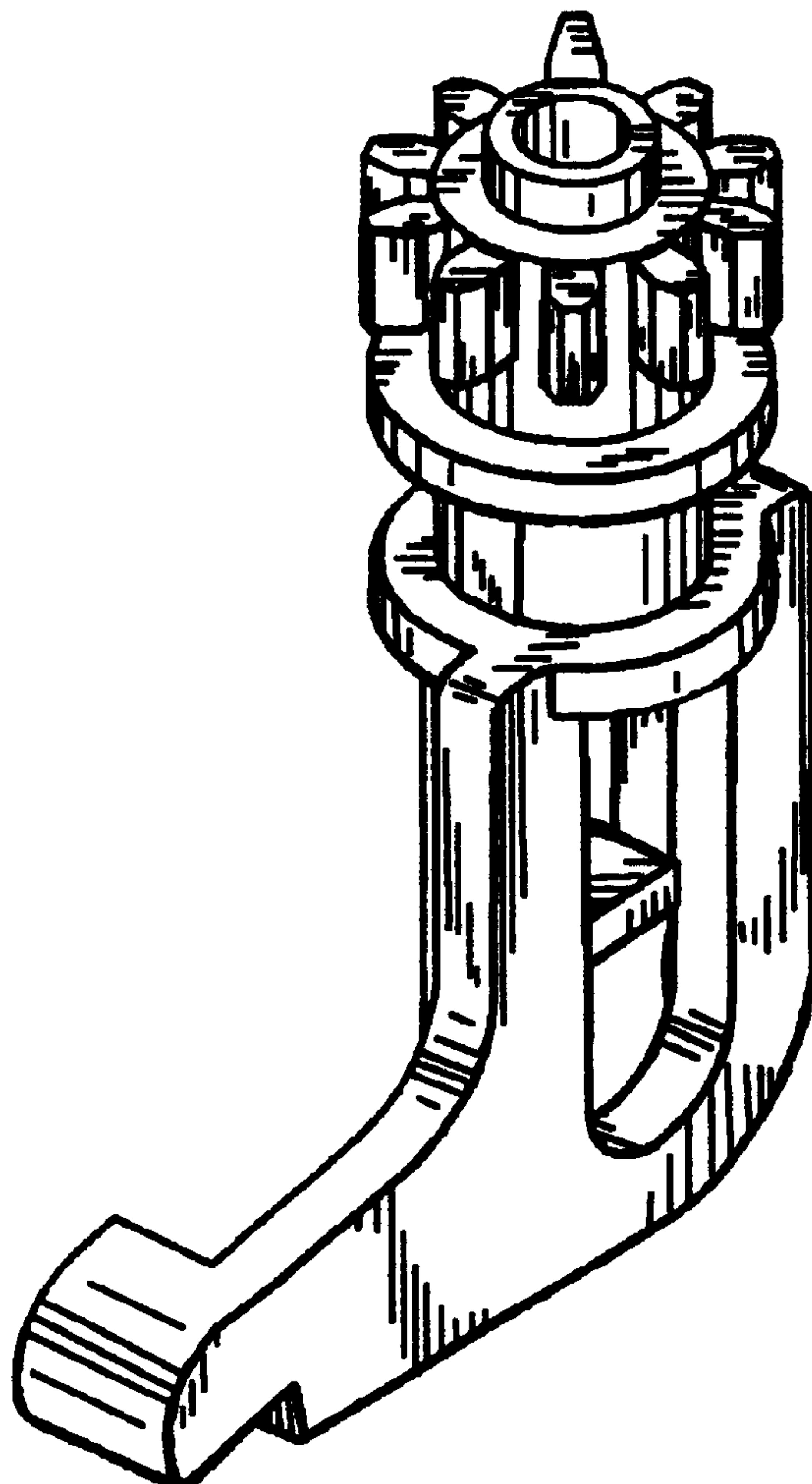


Fig. 1

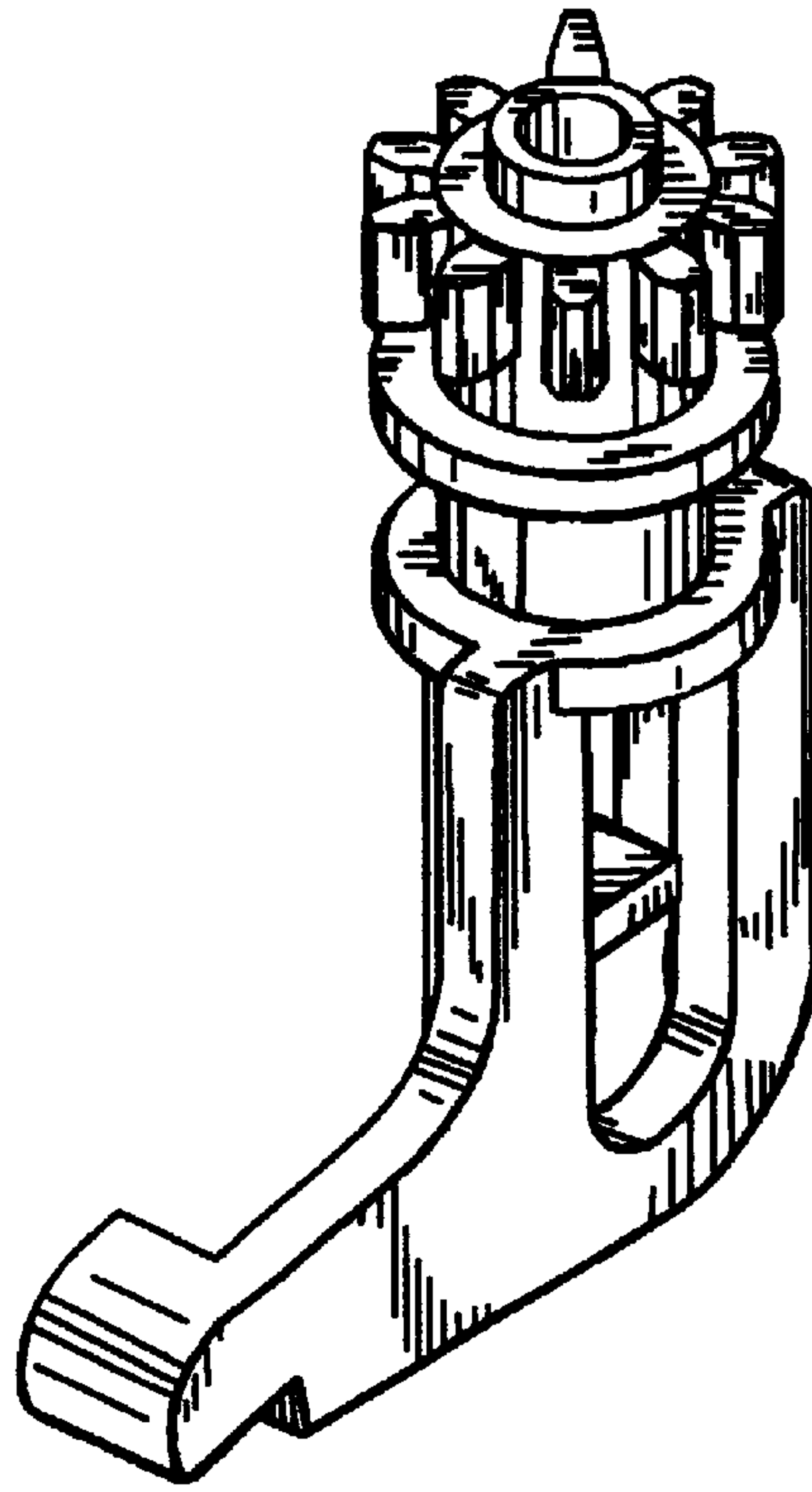
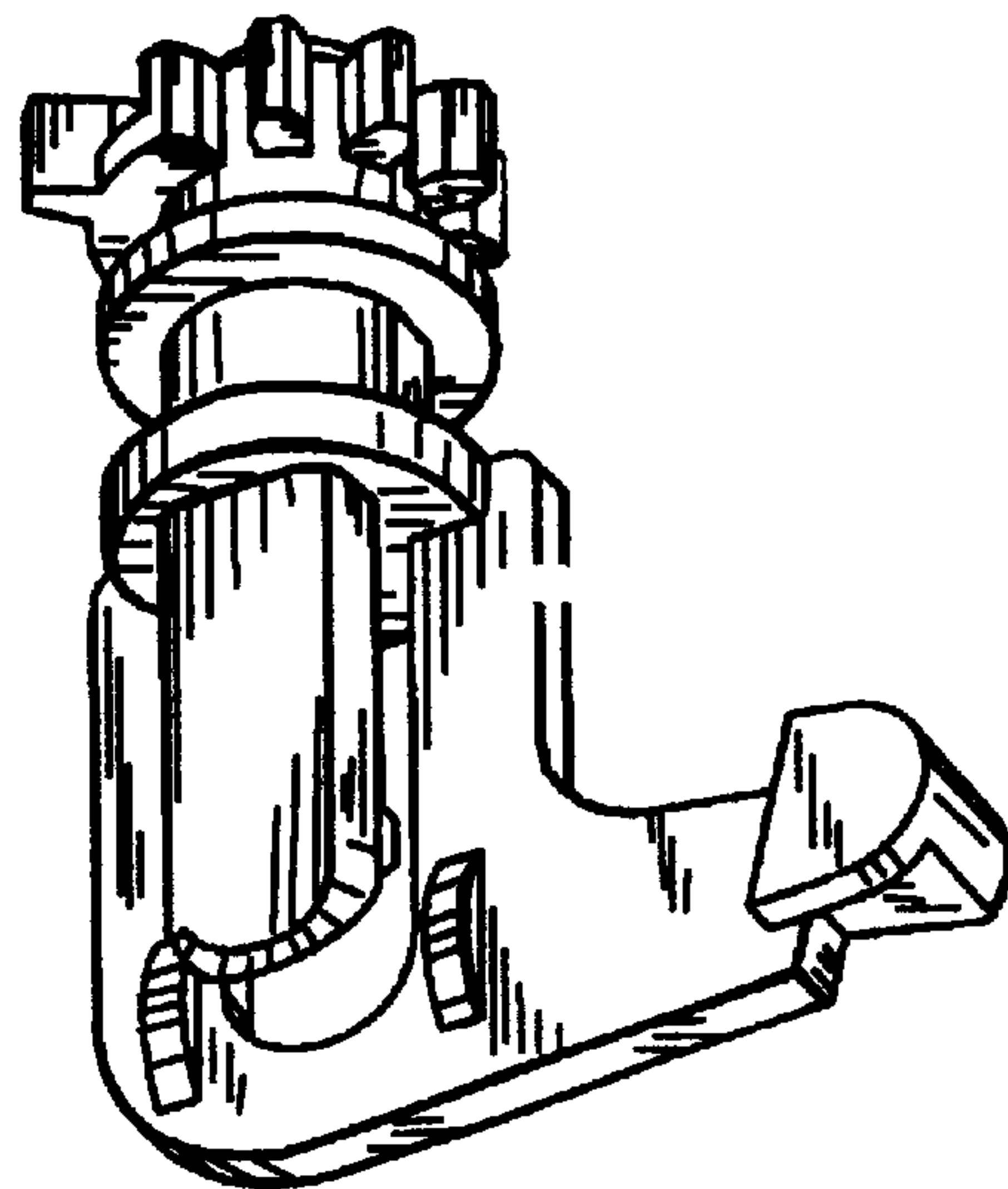


Fig. 2



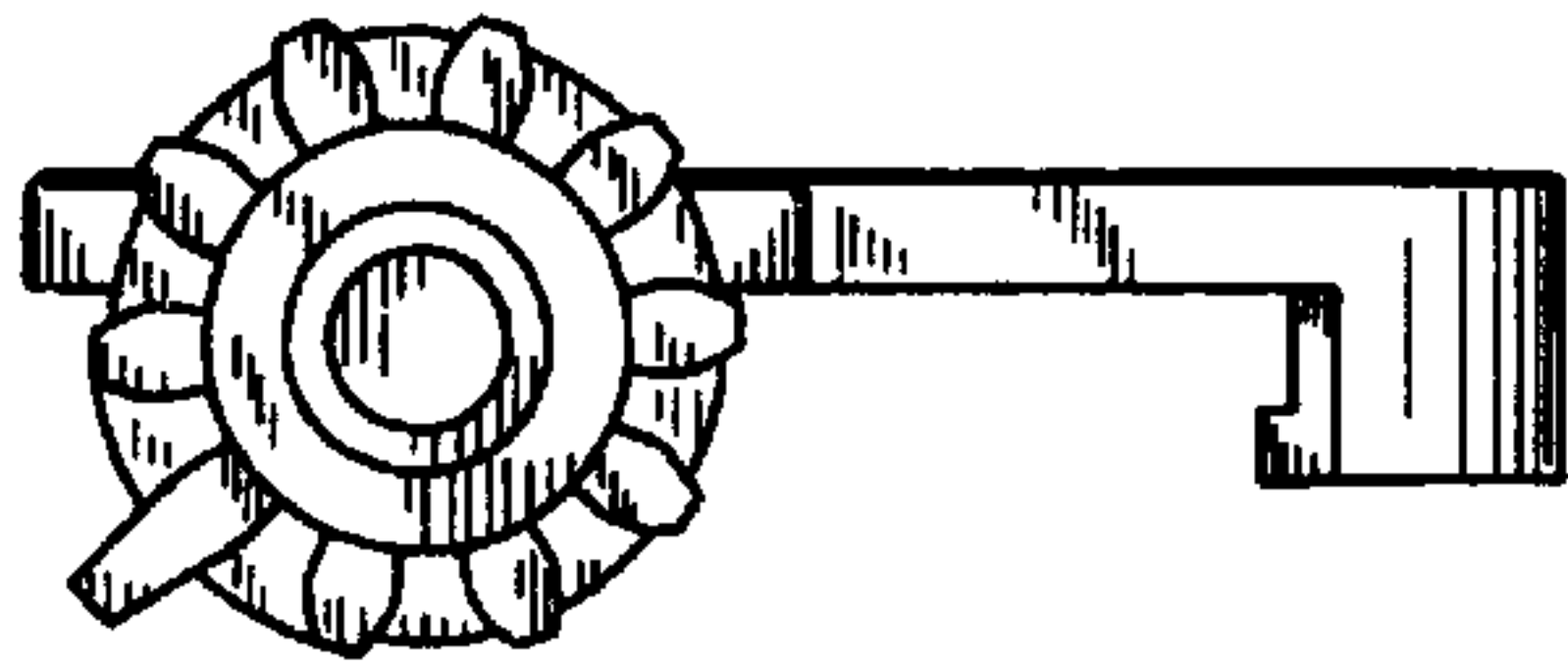


Fig. 3

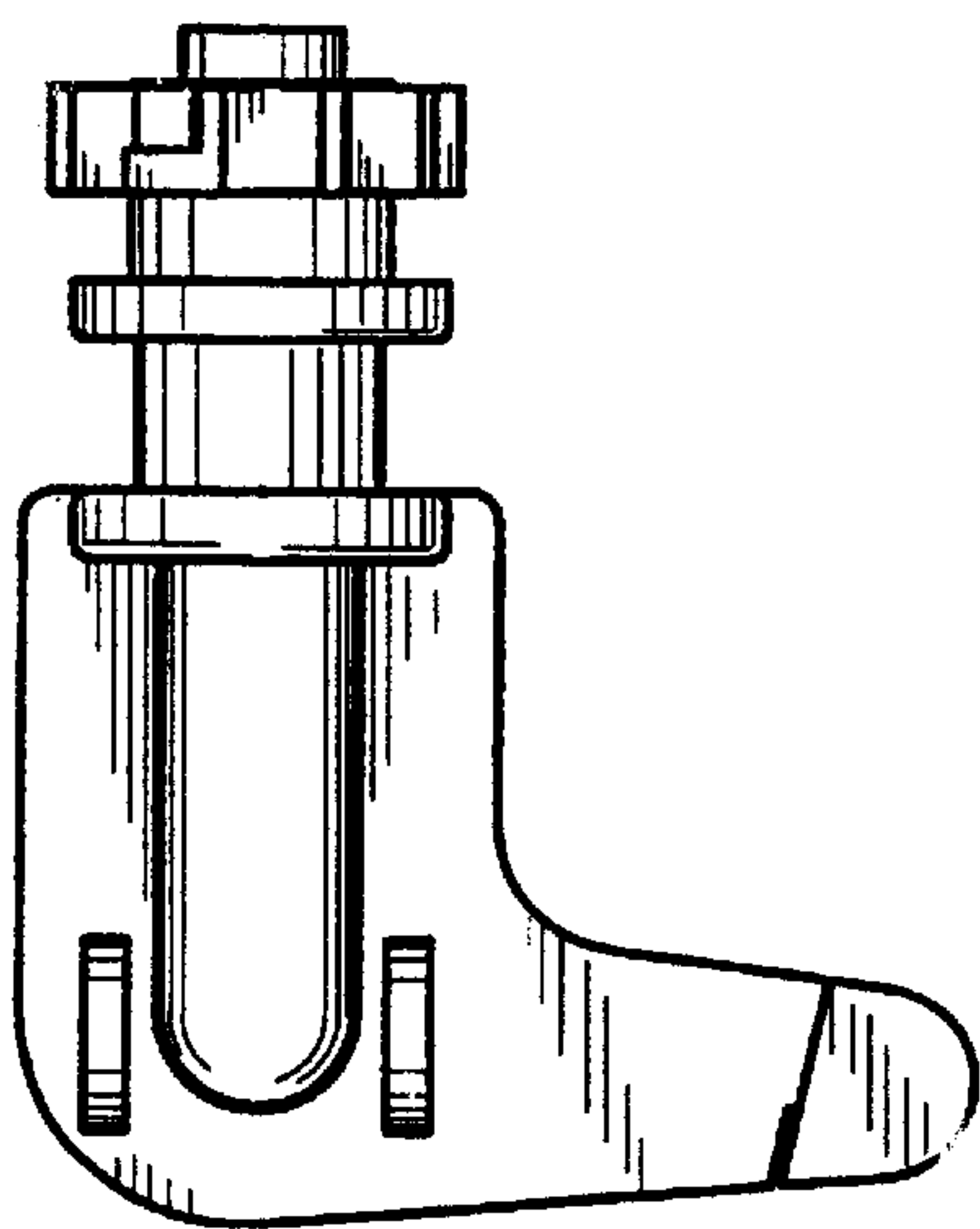


Fig. 4

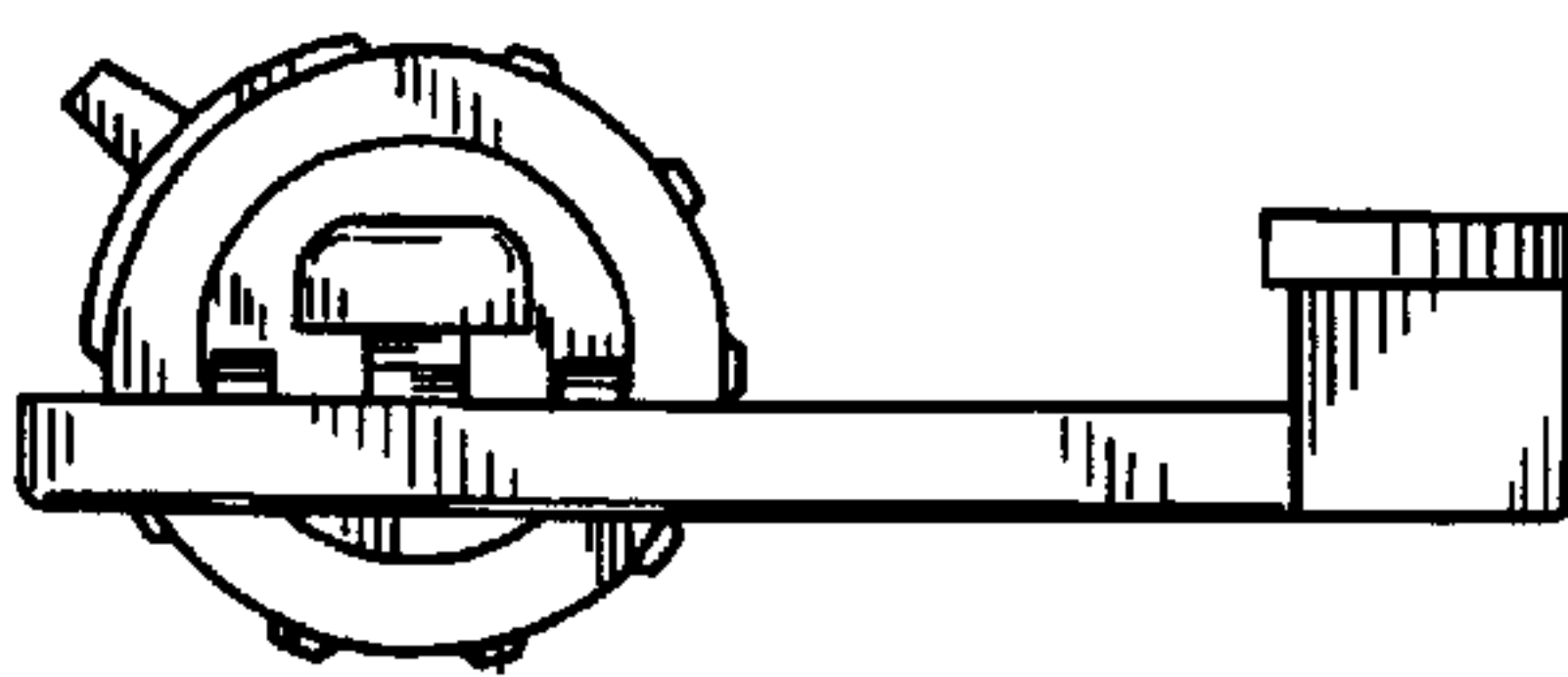


Fig. 5

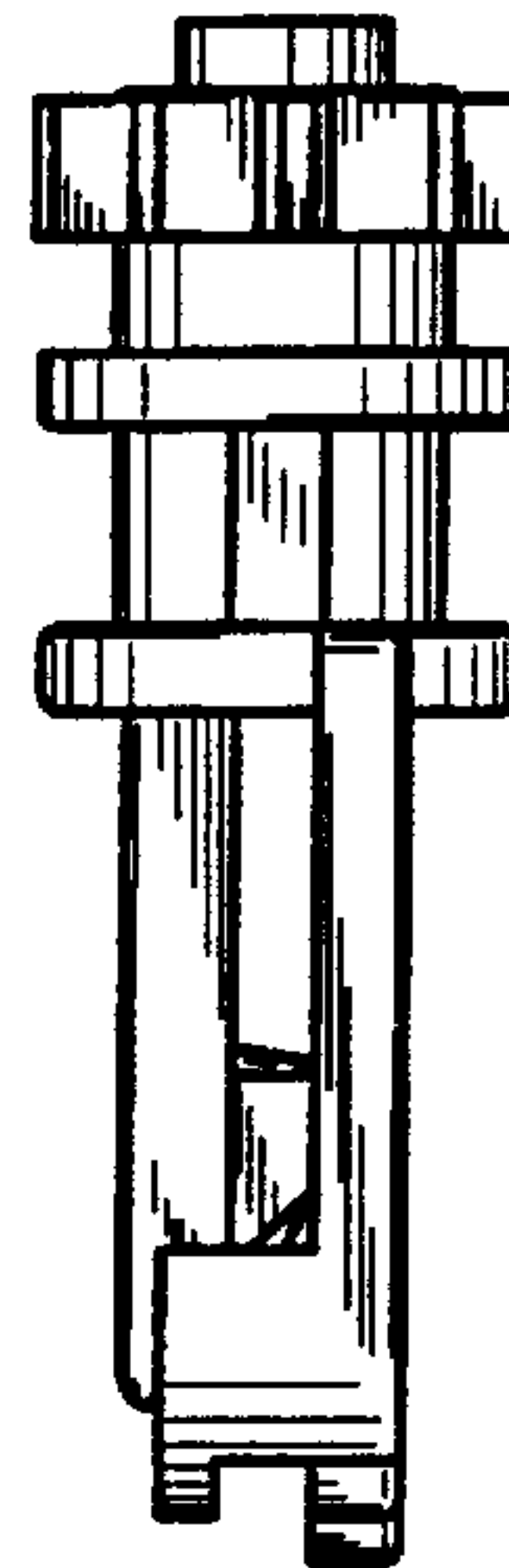


Fig. 6

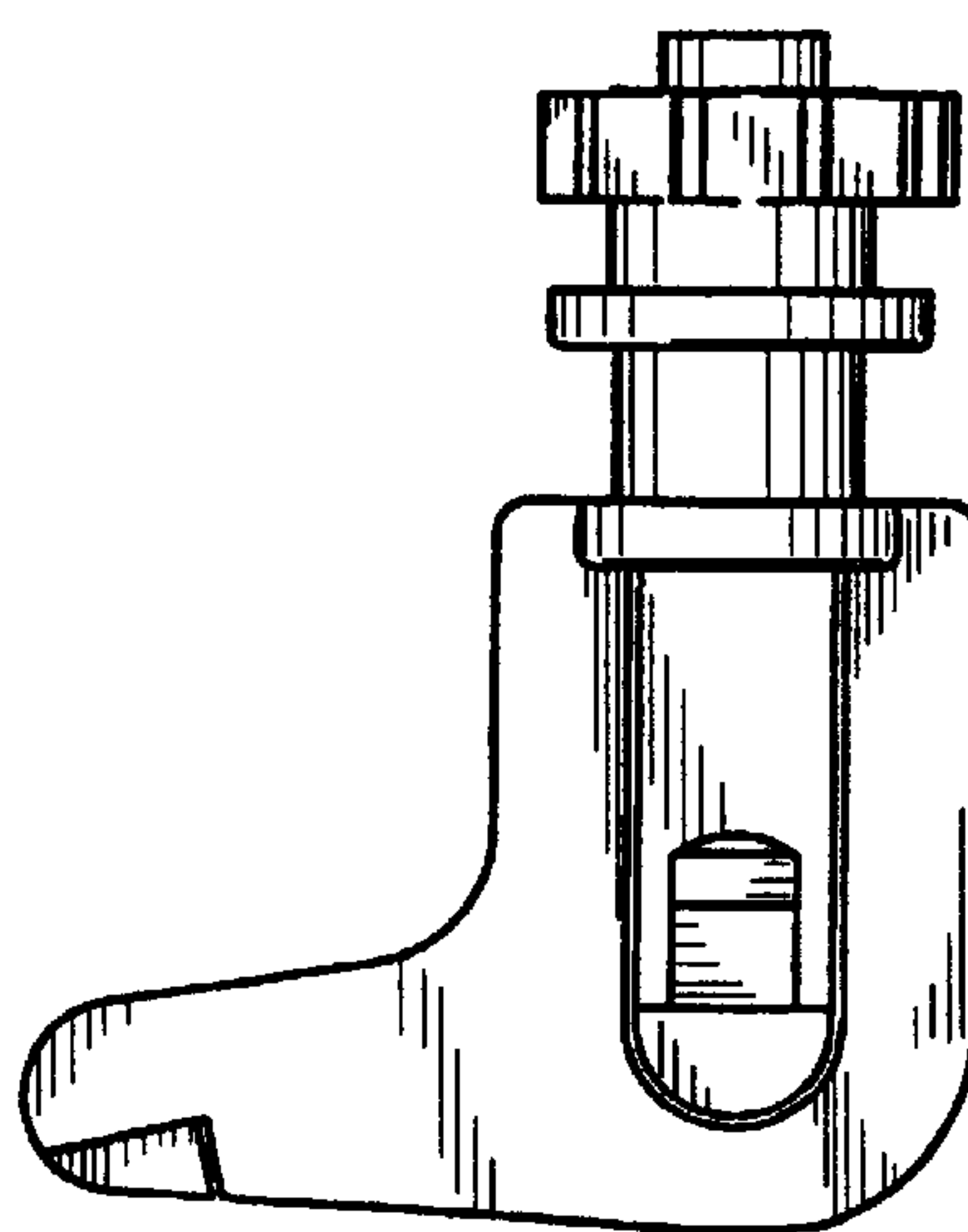


Fig. 7

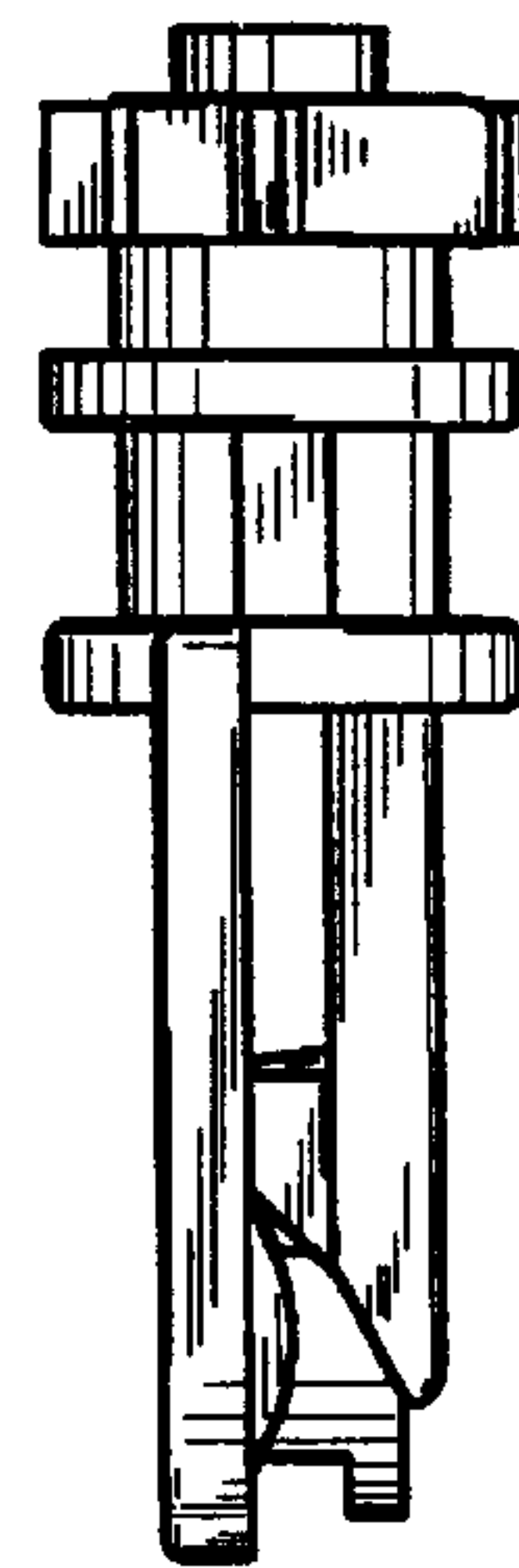


Fig. 8