



US00D446413B1

(12) **United States Design Patent**  
**Skalka**

(10) **Patent No.:** **US D446,413 S**

(45) **Date of Patent:** **\*\* Aug. 14, 2001**

(54) **MODULAR CHAIR COMPONENT**  
(75) Inventor: **Gerald P. Skalka**, Potomac, MD (US)  
(73) Assignee: **Victor Stanley, Inc.**, Dunkirk, MD (US)  
(\*\*) Term: **14 Years**

D. 381,536 \* 7/1997 Kane ..... D6/500  
D. 383,627 \* 9/1997 Kane ..... D6/500  
D. 385,442 \* 10/1997 Kane ..... D6/500  
D. 386,333 \* 11/1997 Kane ..... D6/500  
D. 407,570 \* 4/1999 Frauenberger ..... D6/368  
5,083,838 \* 1/1992 Maxwell, Jr. .... 297/323

\* cited by examiner

(21) Appl. No.: **29/133,018**  
(22) Filed: **Nov. 21, 2000**

*Primary Examiner*—Doris V. Coles  
*Assistant Examiner*—Mimosa De  
(74) *Attorney, Agent, or Firm*—Jacobson Holman PLLC

**Related U.S. Application Data**

(62) Division of application No. 29/099,046, filed on Jan. 12, 1999, now Pat. No. Des. 438,035.  
(51) **LOC (7) Cl.** ..... **06-06**  
(52) **U.S. Cl.** ..... **D6/500**  
(58) **Field of Search** ..... D6/334, 336, 368, D6/369, 370, 374, 376, 379, 380, 381, 500-502; 297/232, 452.1, 452.46, 452.63

(57) **CLAIM**

The ornamental design for a modular chair component, as shown and described.

**DESCRIPTION**

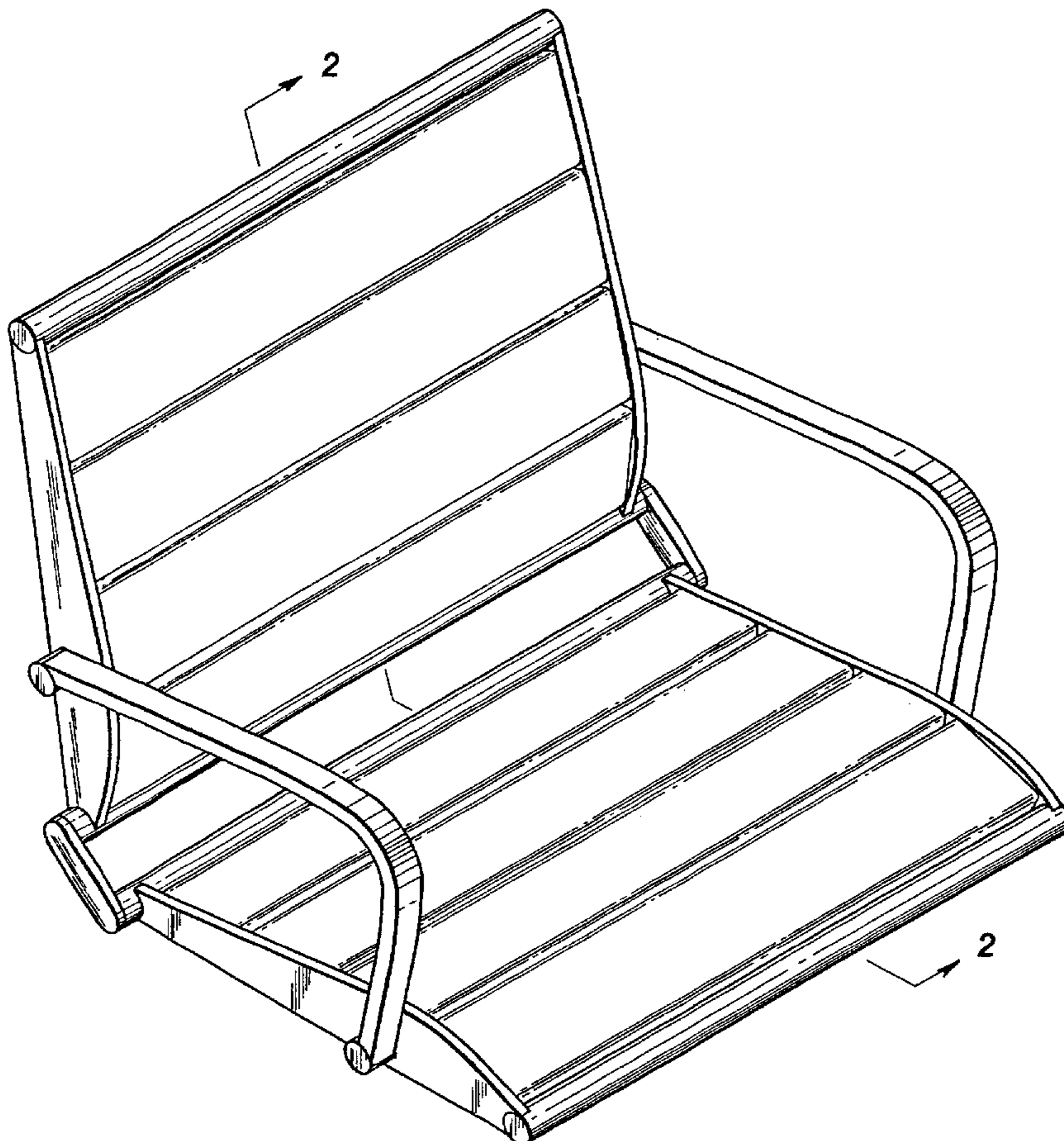
FIG. 1 is a perspective view of a modular chair component showing my new design; and, FIG. 2 is a cross-sectional view of the modular chair component of FIG. 1, taken along line 2—2 of FIG. 1.

(56) **References Cited**

**U.S. PATENT DOCUMENTS**

D. 224,634 \* 8/1972 Kohl et al. .... D6/358

**1 Claim, 1 Drawing Sheet**



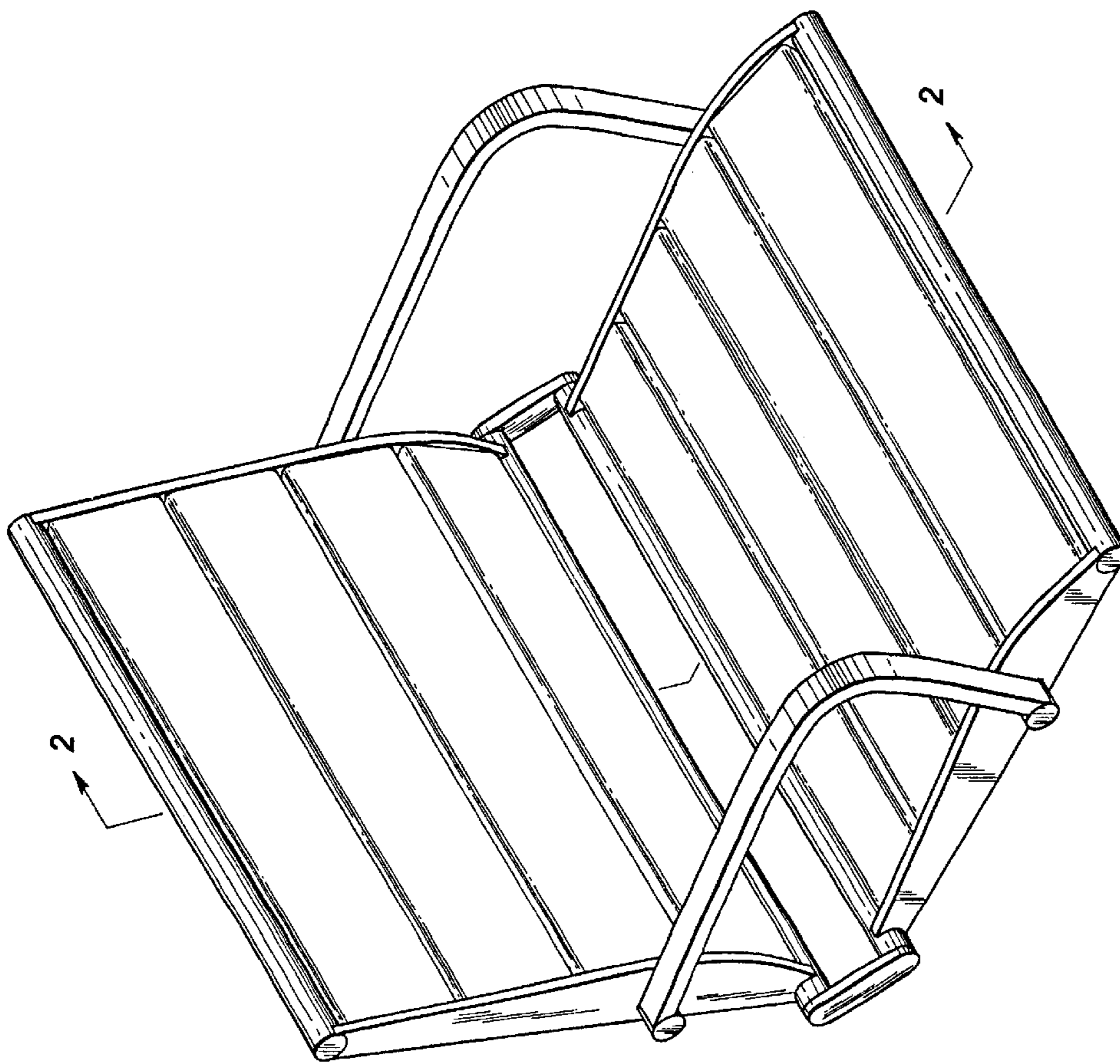


FIG. 1

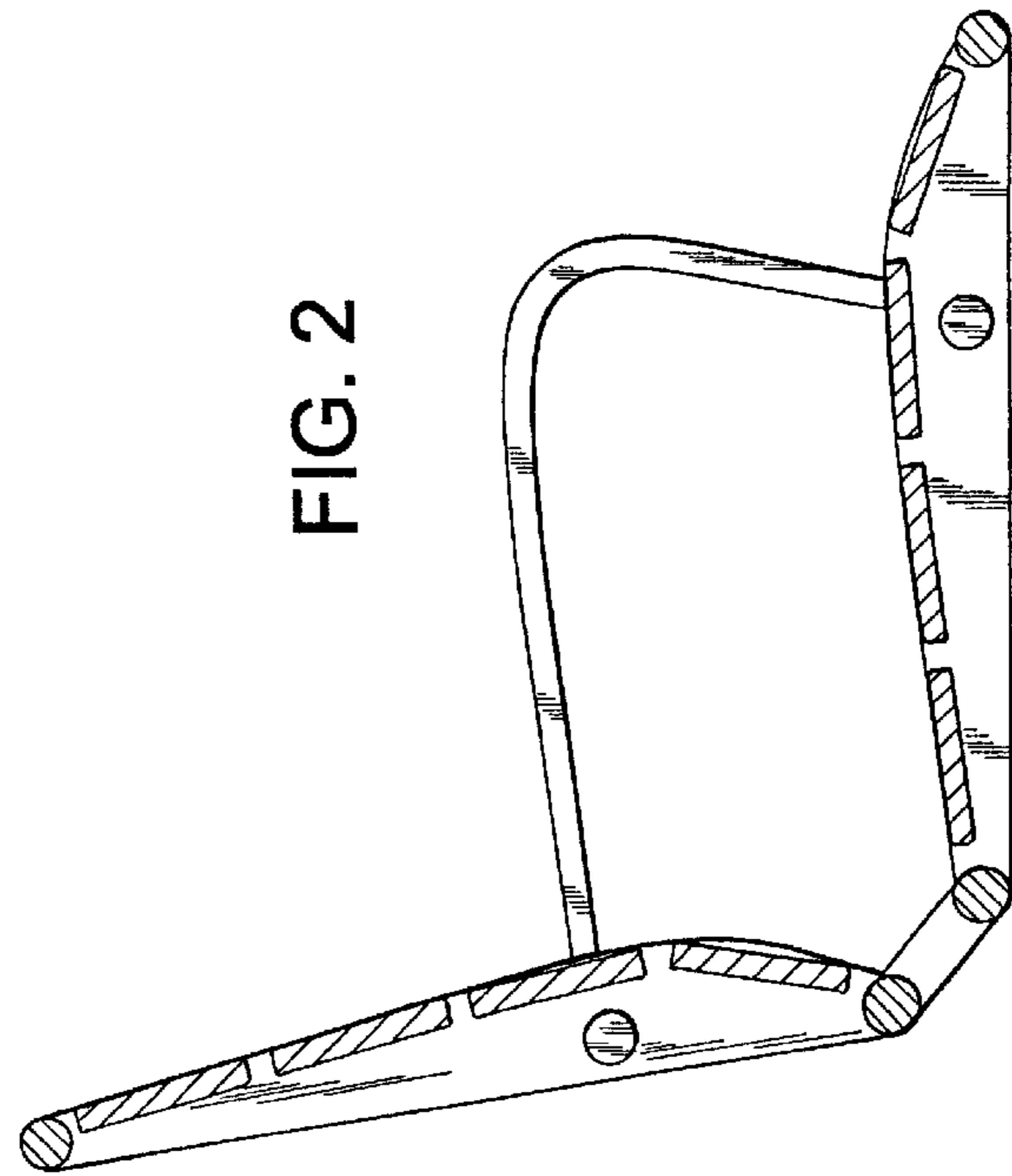


FIG. 2