



US00D446411B1

(12) **United States Design Patent**  
**Ho**

(10) **Patent No.:** **US D446,411 S**

(45) **Date of Patent:** **\*\* Aug. 14, 2001**

(54) **ARMREST BRACKET**

(76) **Inventor:** **Hsuen-Yu Ho**, No. 198, Lane 401,  
Yung-Hsing Rd., Sec. 1, Wuchi Town,  
Taichung Hsien (TW)

(\*\*) **Term:** **14 Years**

(21) **Appl. No.:** **29/128,756**

(22) **Filed:** **Aug. 30, 2000**

(51) **LOC (7) Cl.** ..... **06-06**

(52) **U.S. Cl.** ..... **D6/500; D6/501**

(58) **Field of Search** ..... D6/334, 335, 364,  
D6/365, 366, 367, 500, 501, 502; 297/411.2,  
411.27, 411.31, 411.36

(56) **References Cited**

**U.S. PATENT DOCUMENTS**

- D. 367,980 \* 3/1996 Hodge et al. .... D6/500
- D. 401,771 \* 12/1998 Goodworth et al. .... D6/366
- D. 406,710 \* 3/1999 Holstenson ..... D6/501
- D. 407,246 \* 3/1999 Stumpf ..... D6/501

- D. 411,396 \* 6/1999 Stumpf ..... D6/501
- D. 434,918 \* 12/2000 Arko et al. .... D6/366
- D. 436,456 \* 1/2001 Neil ..... D6/366

\* cited by examiner

*Primary Examiner*—Gary D. Watson

(74) *Attorney, Agent, or Firm*—Connolly Bove Lodge & Hutz LLP

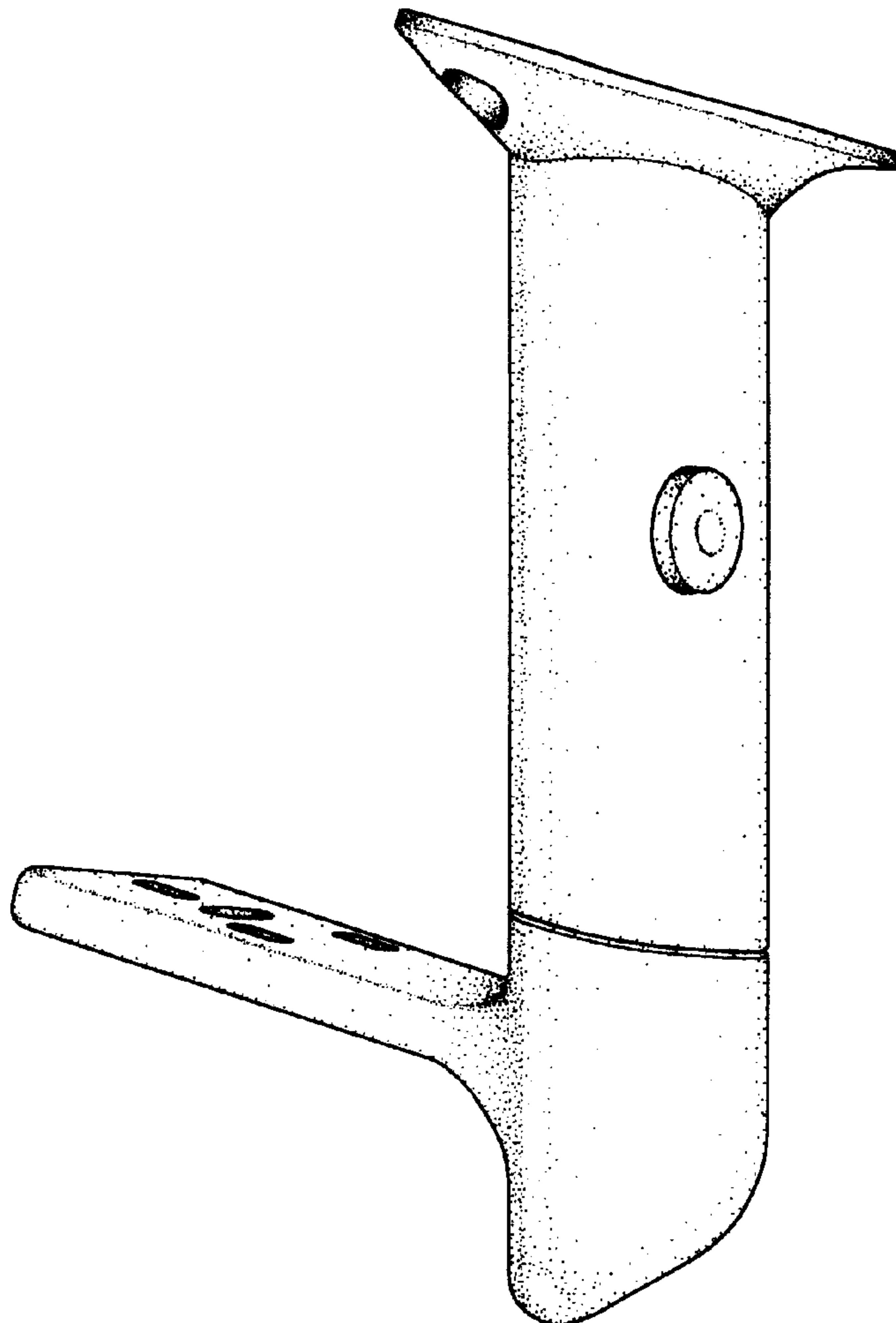
(57) **CLAIM**

The ornamental design for an armrest bracket, as shown and described.

**DESCRIPTION**

FIG. 1 is a perspective view of for an armrest bracket showing my new design;  
 FIG. 2 is a front elevational view thereof;  
 FIG. 3 is a right side elevational view thereof;  
 FIG. 4 is a rear elevational view thereof;  
 FIG. 5 is a left side elevational view thereof;  
 FIG. 6 is a top plan view thereof; and,  
 FIG. 7 is a bottom plan view thereof.

**1 Claim, 4 Drawing Sheets**



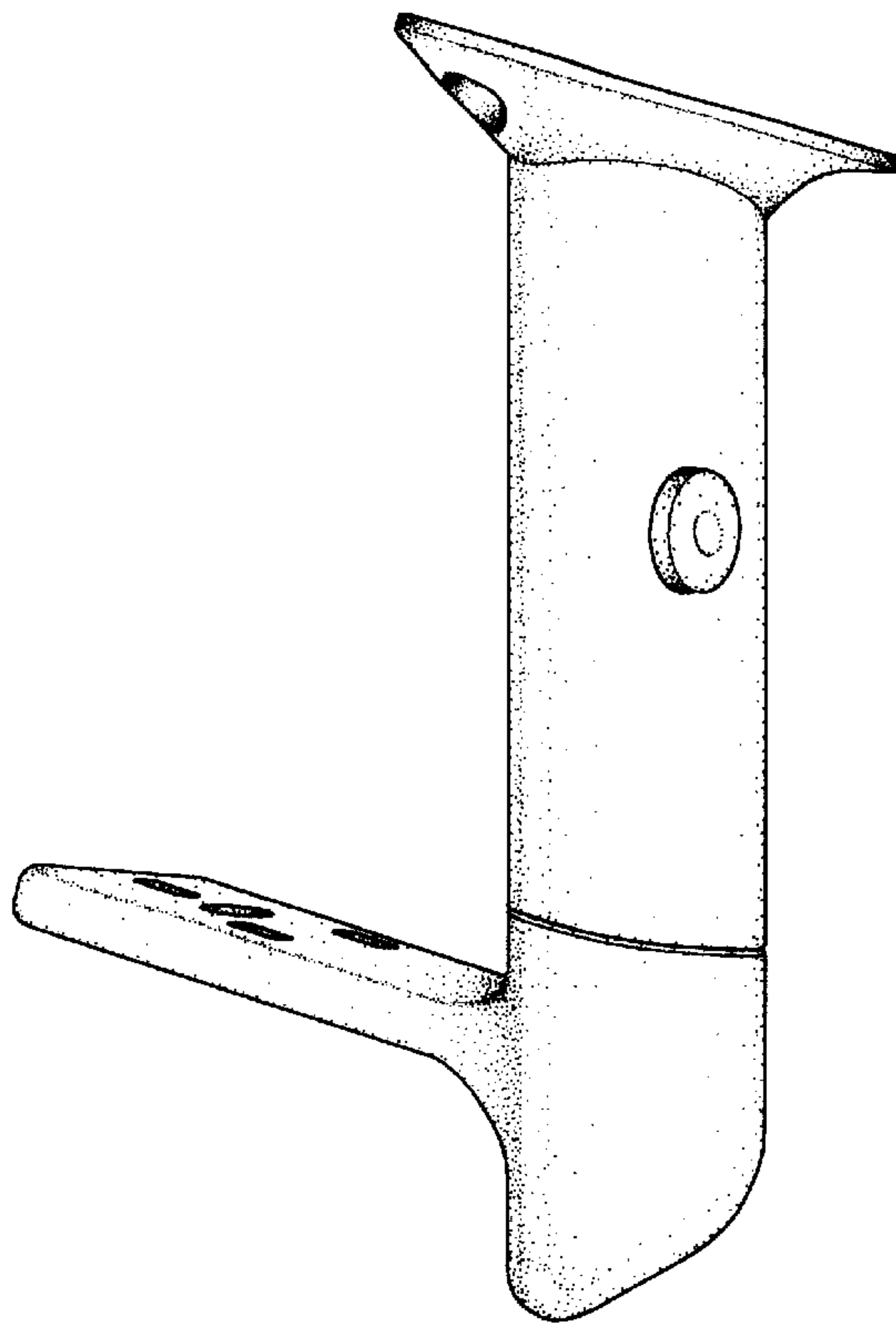


FIG. 1

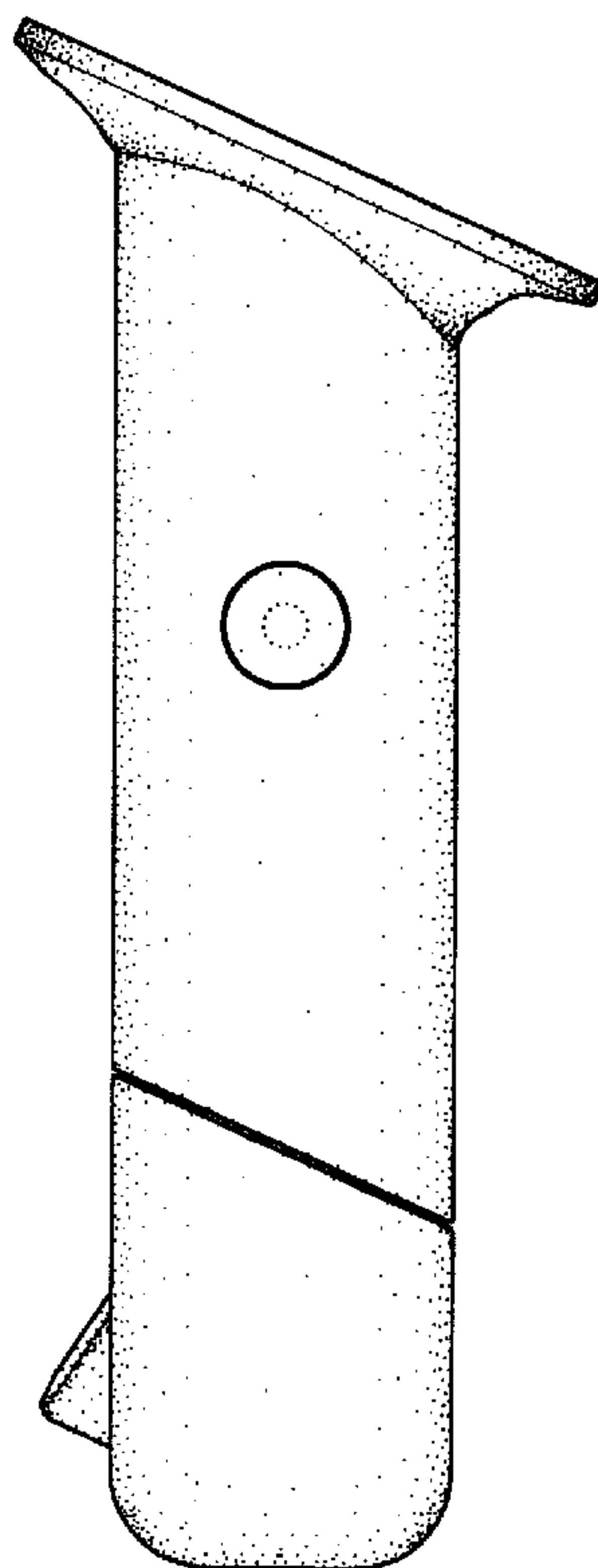


FIG. 2

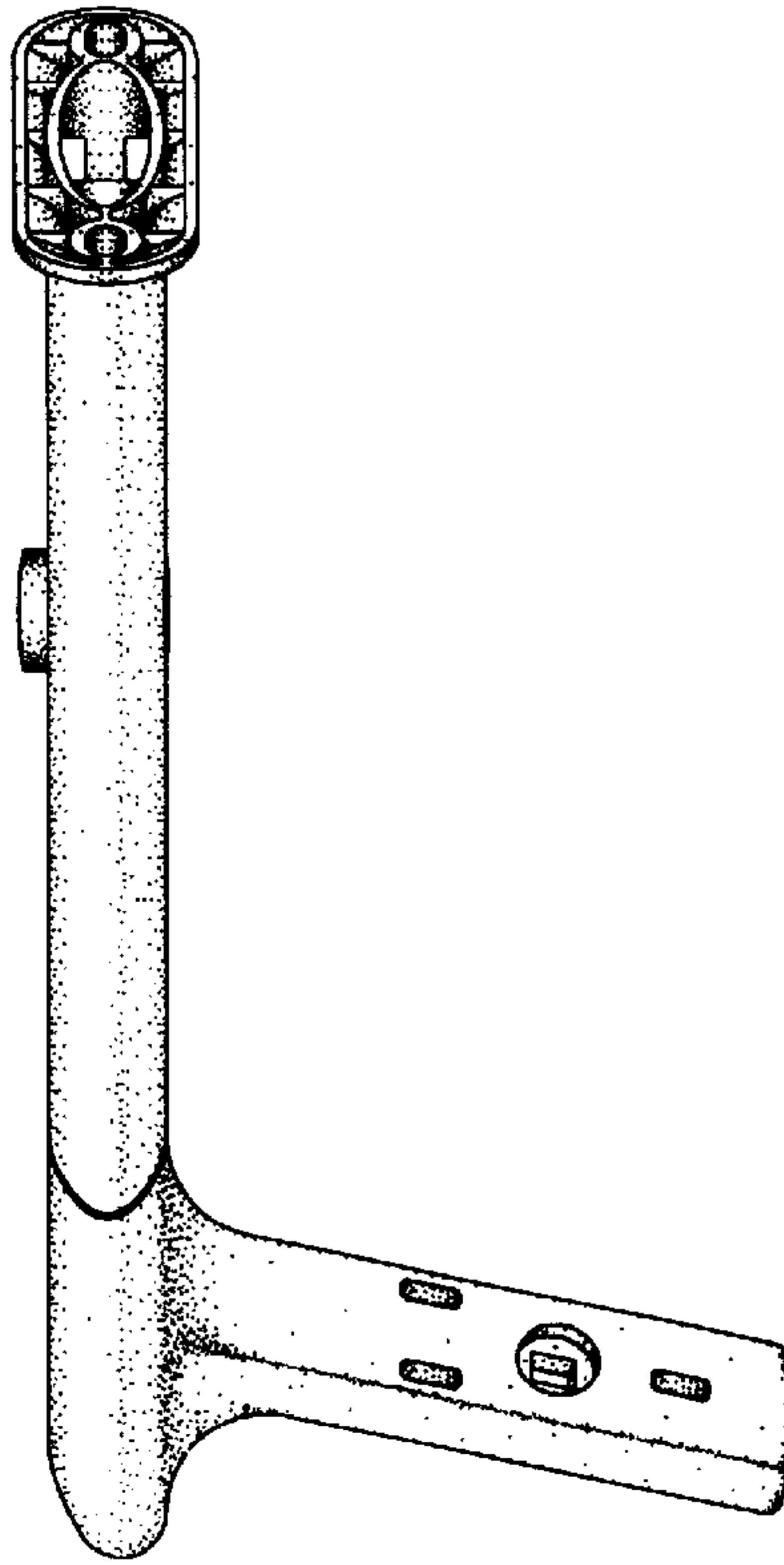


FIG. 3

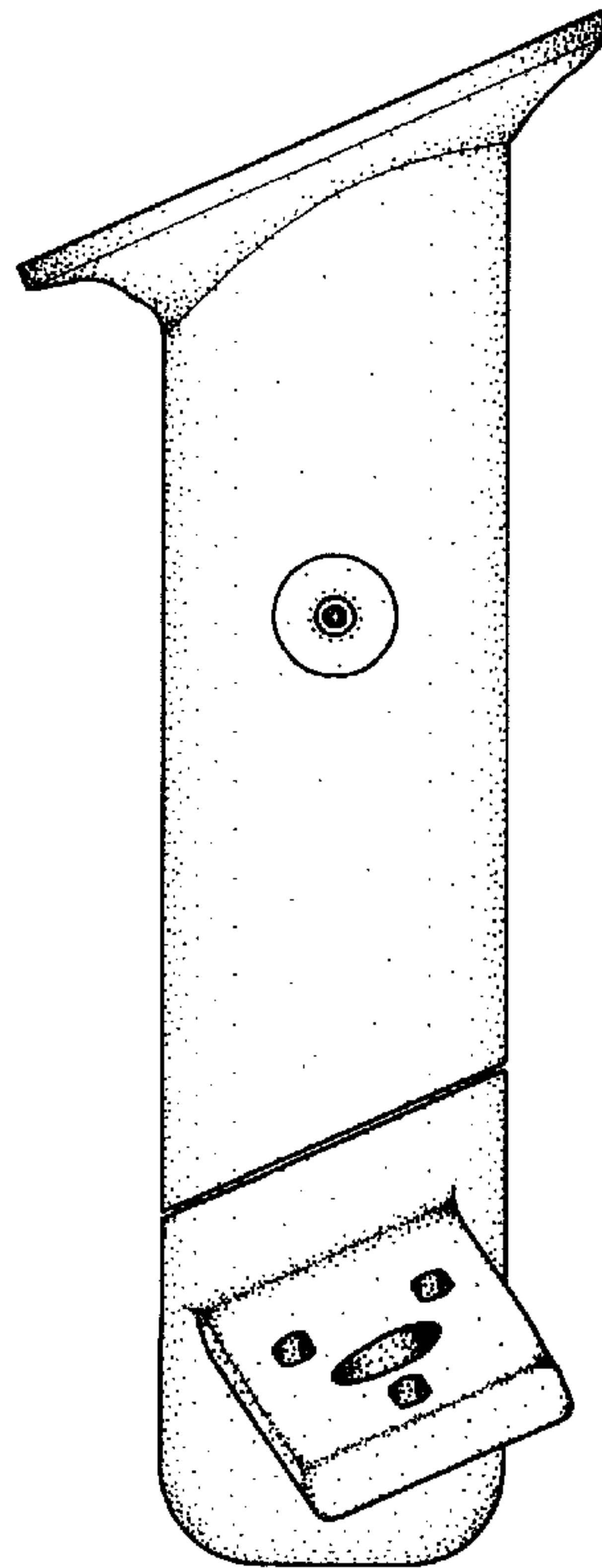


FIG. 4

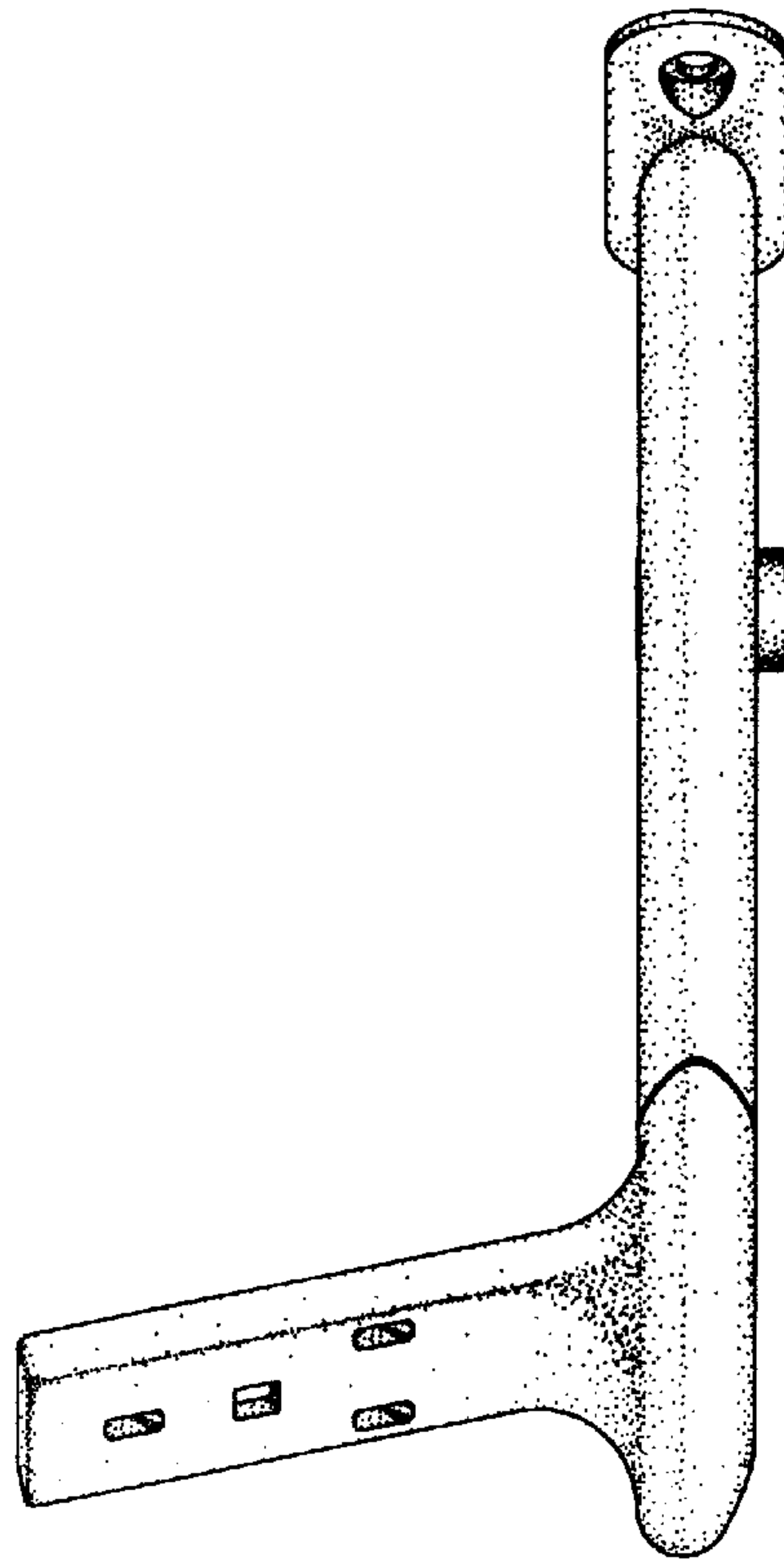


FIG. 5

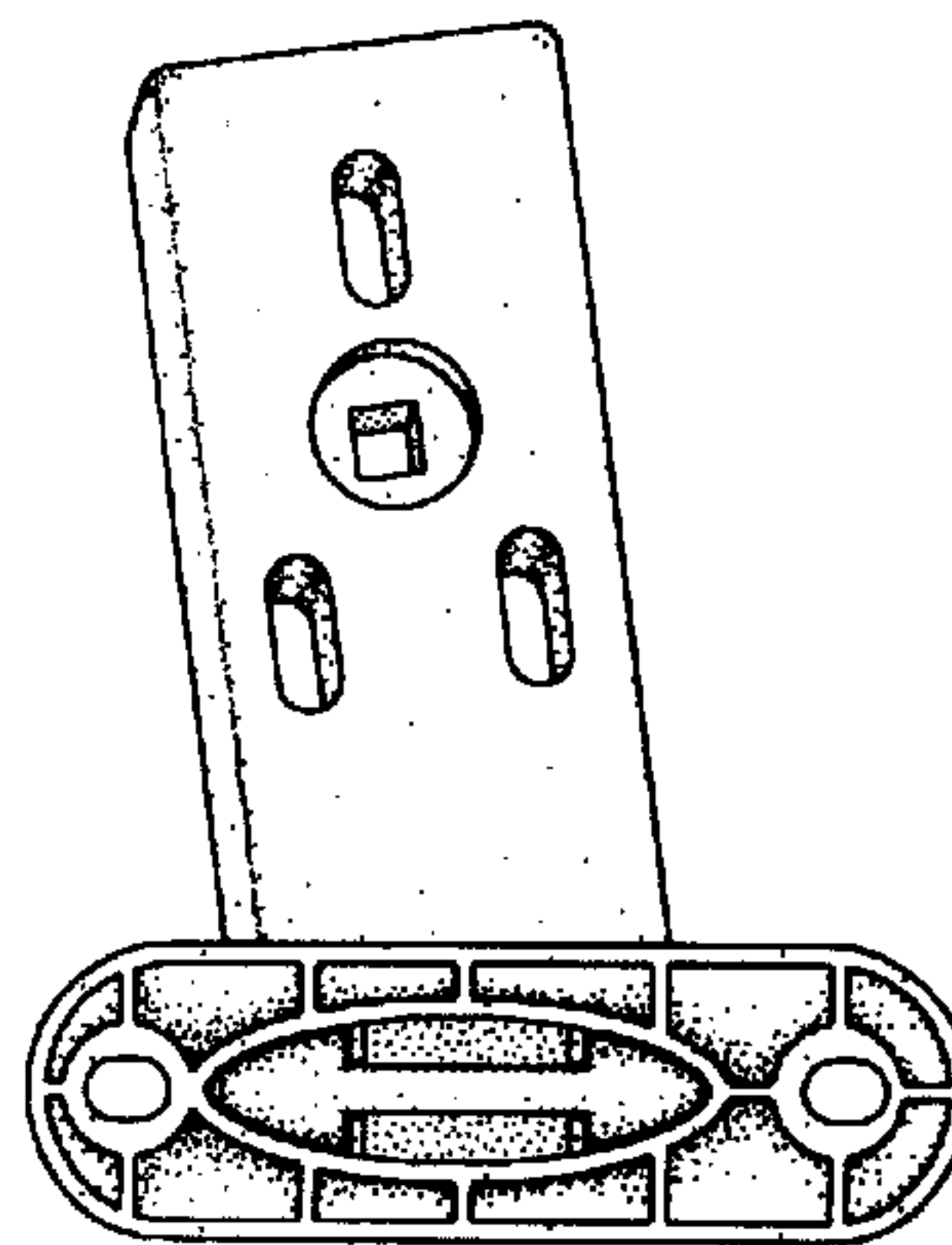


FIG. 6

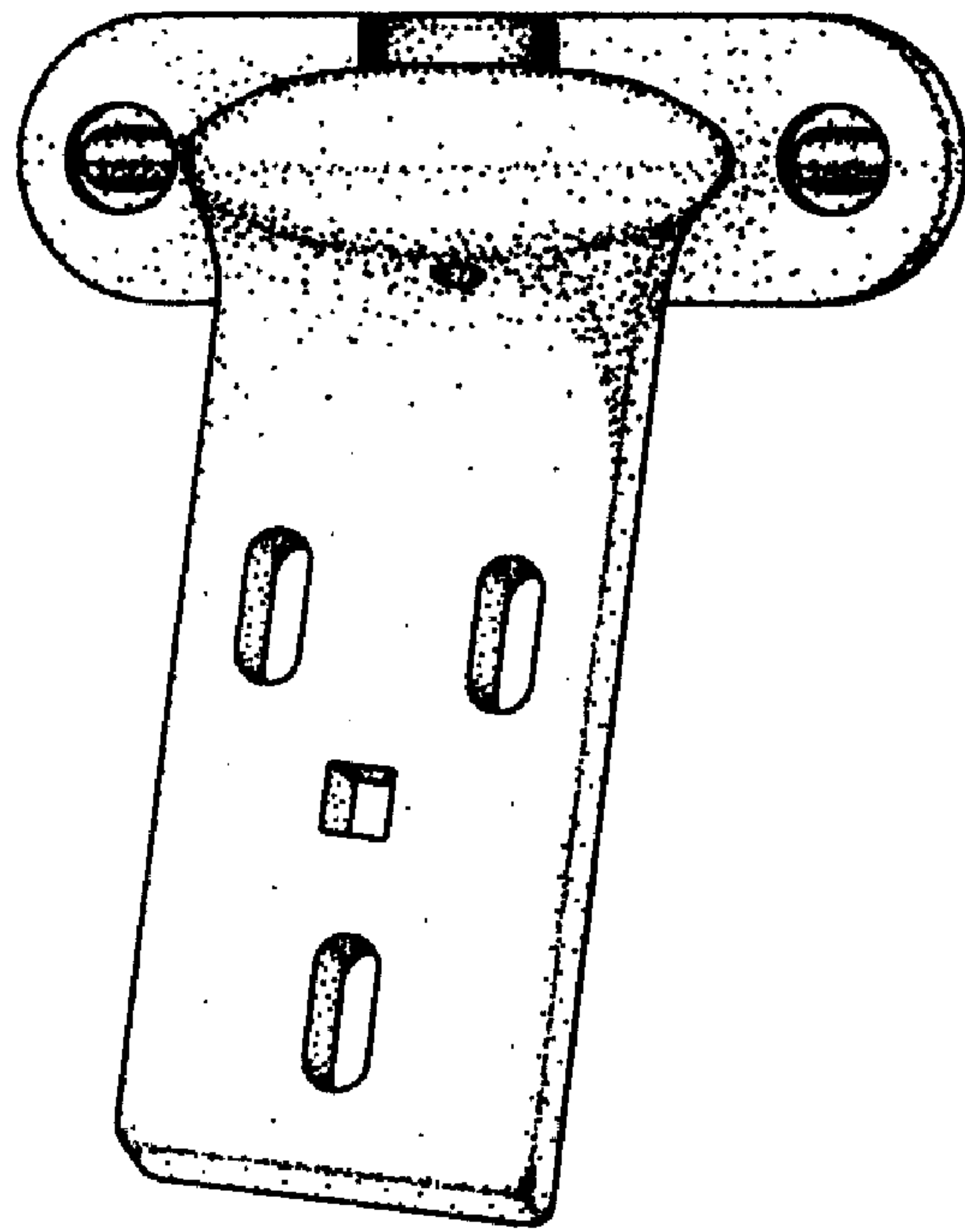


FIG. 7