



US00D446406B1

(12) **United States Design Patent**
Aeberhard

(10) **Patent No.:** **US D446,406 S**

(45) **Date of Patent:** **** Aug. 14, 2001**

(54) **DISPLAY CABINET**

(75) Inventor: **Wolfgang Aeberhard**, Solothurn (CH)

(73) Assignee: **Swatch AG (Swatch SA) (Swatch Ltd.)**, Bienne (CH)

(**) Term: **14 Years**

(21) Appl. No.: **29/131,229**

(22) Filed: **Oct. 17, 2000**

(30) **Foreign Application Priority Data**

Apr. 18, 2000 (XH) DM/051 850

(51) **LOC (7) Cl.** **06-04**

(52) **U.S. Cl.** **D6/441; D6/445**

(58) **Field of Search** D6/432, 436, 440,
D6/441, 442, 445, 470, 472; 312/114, 117,
204, 283, 294, 326

(56) **References Cited**

U.S. PATENT DOCUMENTS

D. 129,477	*	9/1941	Gannon	D6/472
D. 141,016	*	4/1945	Stanitz	D6/436
D. 141,097	*	5/1945	Pinanski	D6/440
D. 142,049	*	8/1945	Waddell	D6/436
D. 260,213	*	8/1981	Crespi	D6/436
D. 331,847	*	12/1992	Allen	D6/470
D. 345,217	*	3/1994	Pearlson	D25/16
D. 413,211	*	8/1999	Baluk et al.	D6/470

* cited by examiner

Primary Examiner—Cathron C. Brooks

(74) *Attorney, Agent, or Firm*—Collen Law Associates PC;
Robert M. McDermott

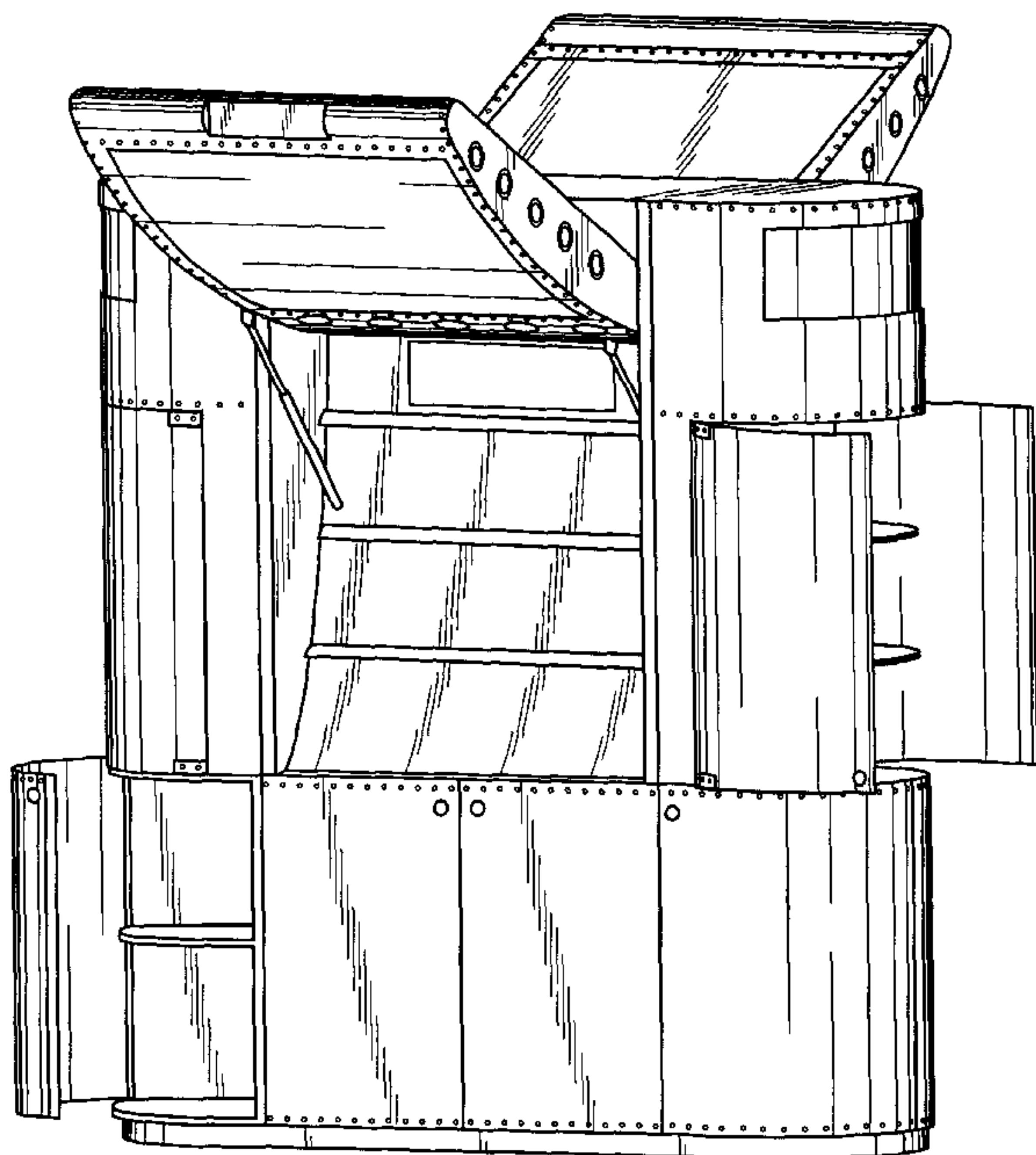
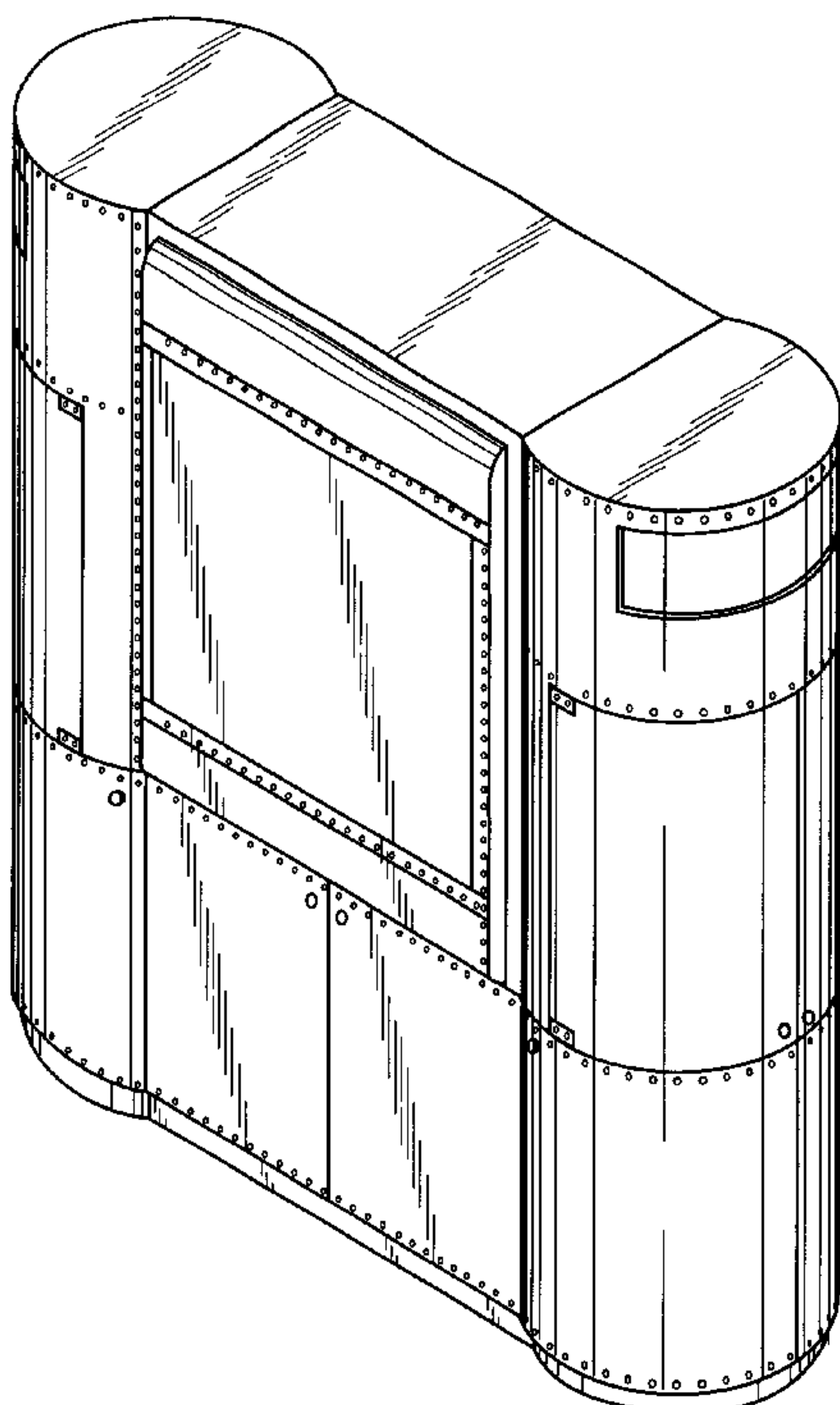
(57) **CLAIM**

The ornamental design for a display cabinet, as shown and described.

DESCRIPTION

FIG. 1 is a front view of my new and ornamental design for a display cabinet in a closed position;
 FIG. 2 is a rear view thereof;
 FIG. 3 is a right side view thereof;
 FIG. 4 is a left side view thereof;
 FIG. 5 is a top view thereof;
 FIG. 6 is a bottom view thereof;
 FIG. 7 is a front perspective view thereof;
 FIG. 8 is a front view thereof with two doors in an open position;
 FIG. 9 is a rear view thereof with two doors in an open position;
 FIG. 10 is a right side view thereof with several elements in open positions;
 FIG. 11 is a left side view thereof with several elements in open positions;
 FIG. 12 is a bottom view thereof with several elements in open positions;
 FIG. 13 is a top view thereof with several elements in open positions;
 FIG. 14 is a rear perspective view thereof with several elements in open positions; and,
 FIG. 15 is a front perspective view thereof with several elements in open positions.

1 Claim, 13 Drawing Sheets



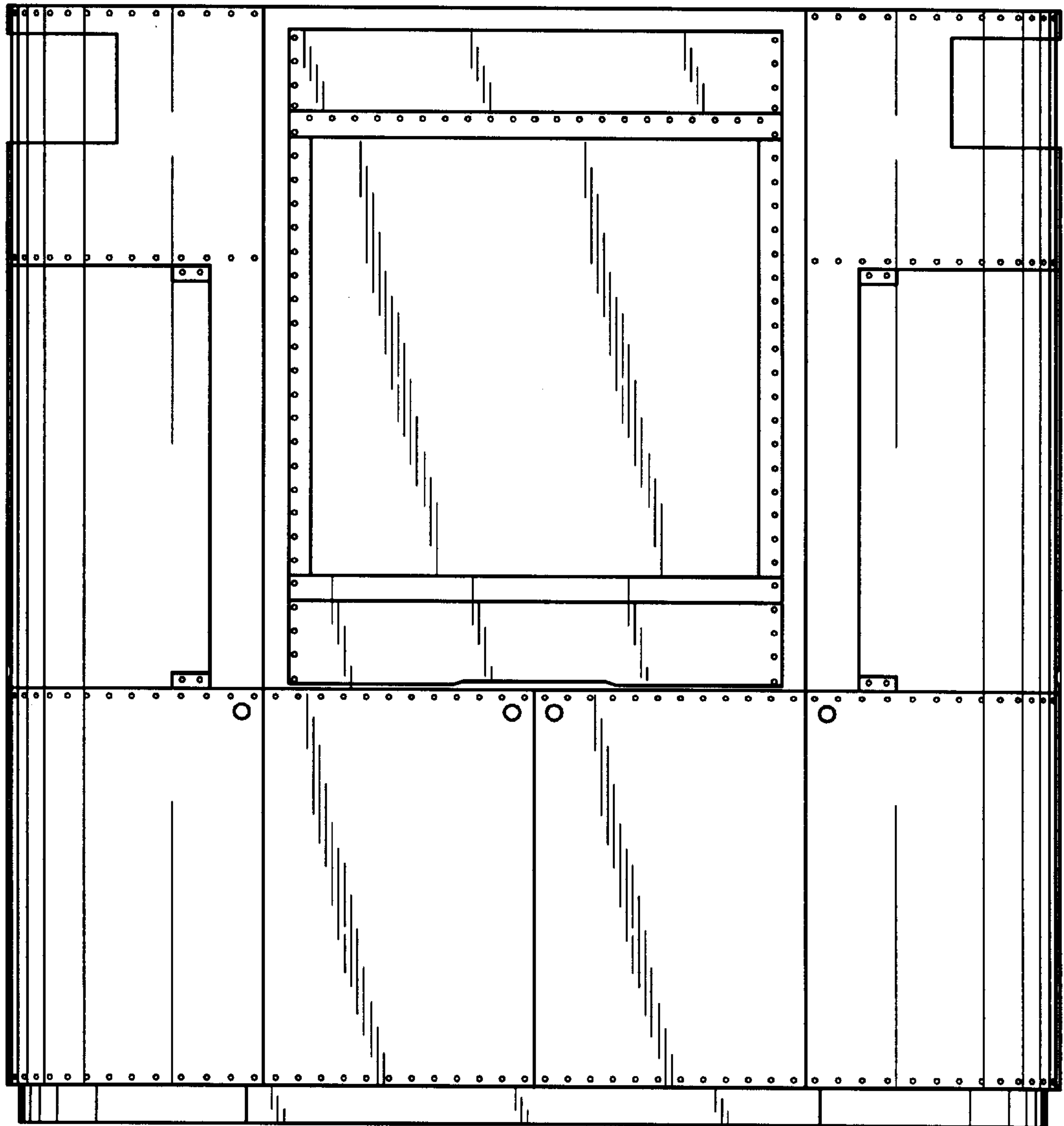


Fig. 1

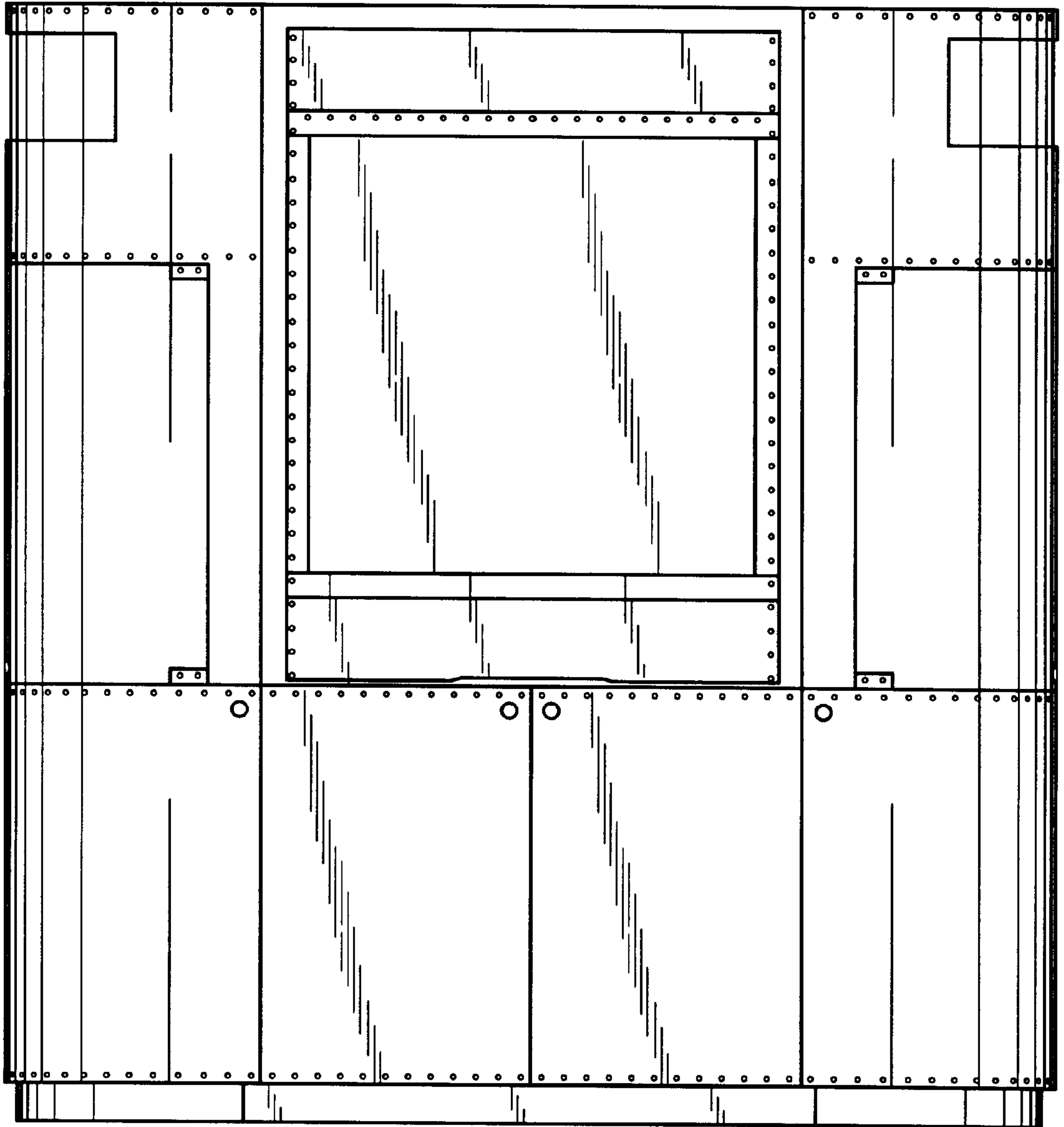


Fig. 2

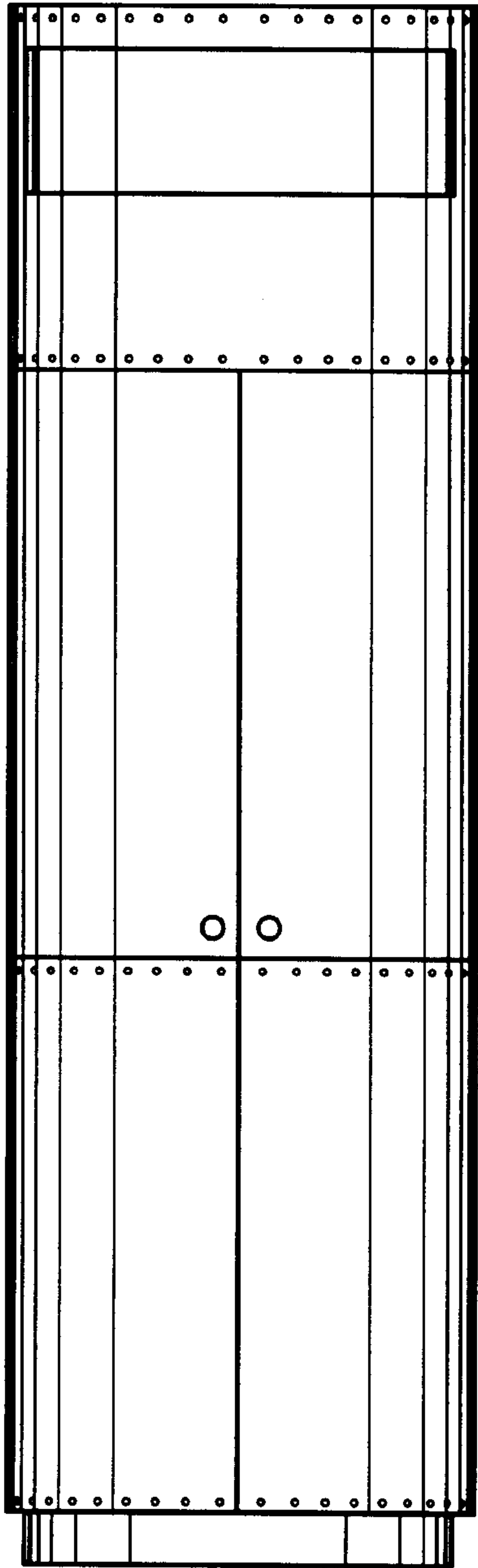


Fig. 3

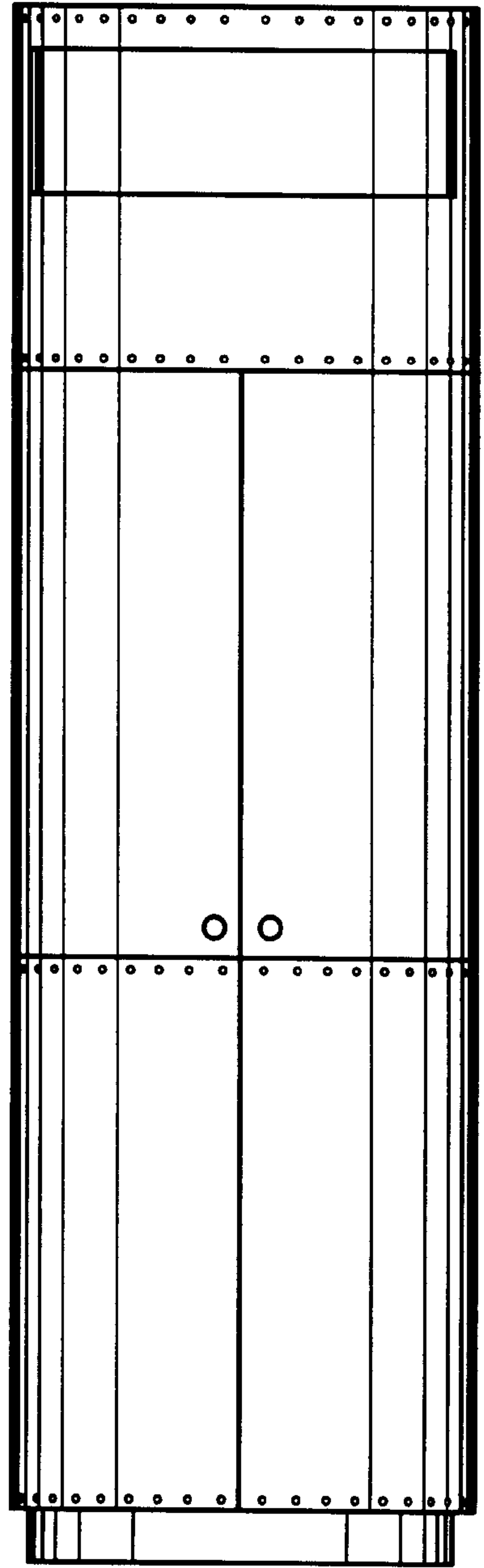


Fig. 4

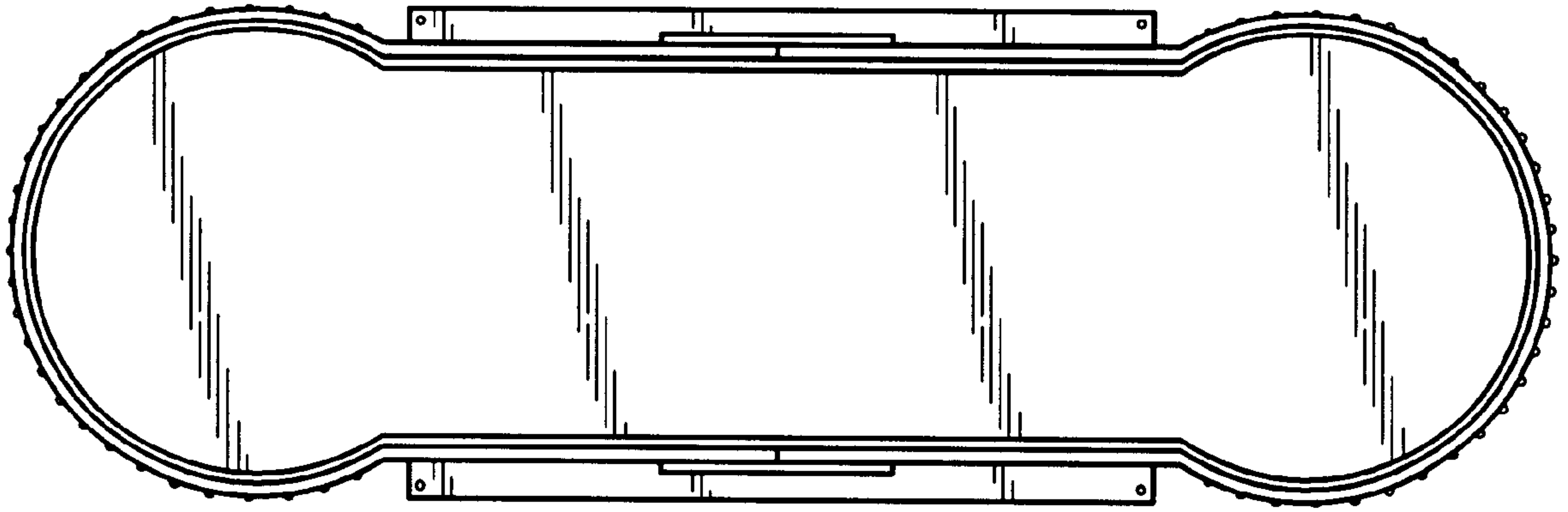


Fig. 5

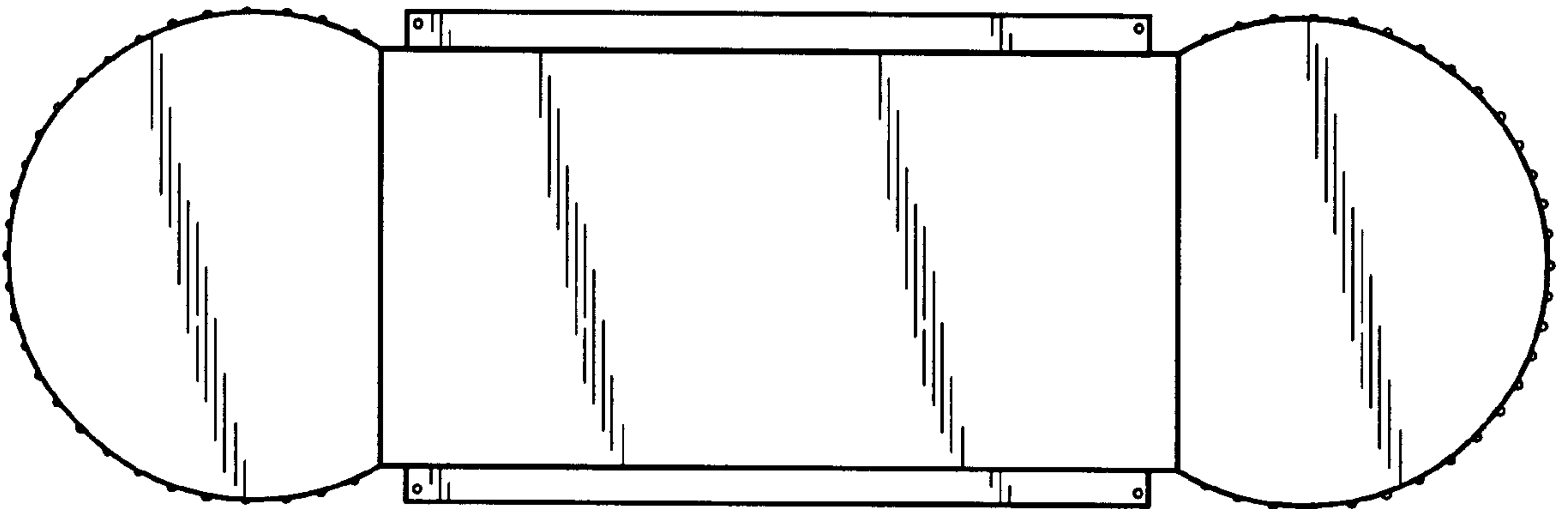


Fig. 6

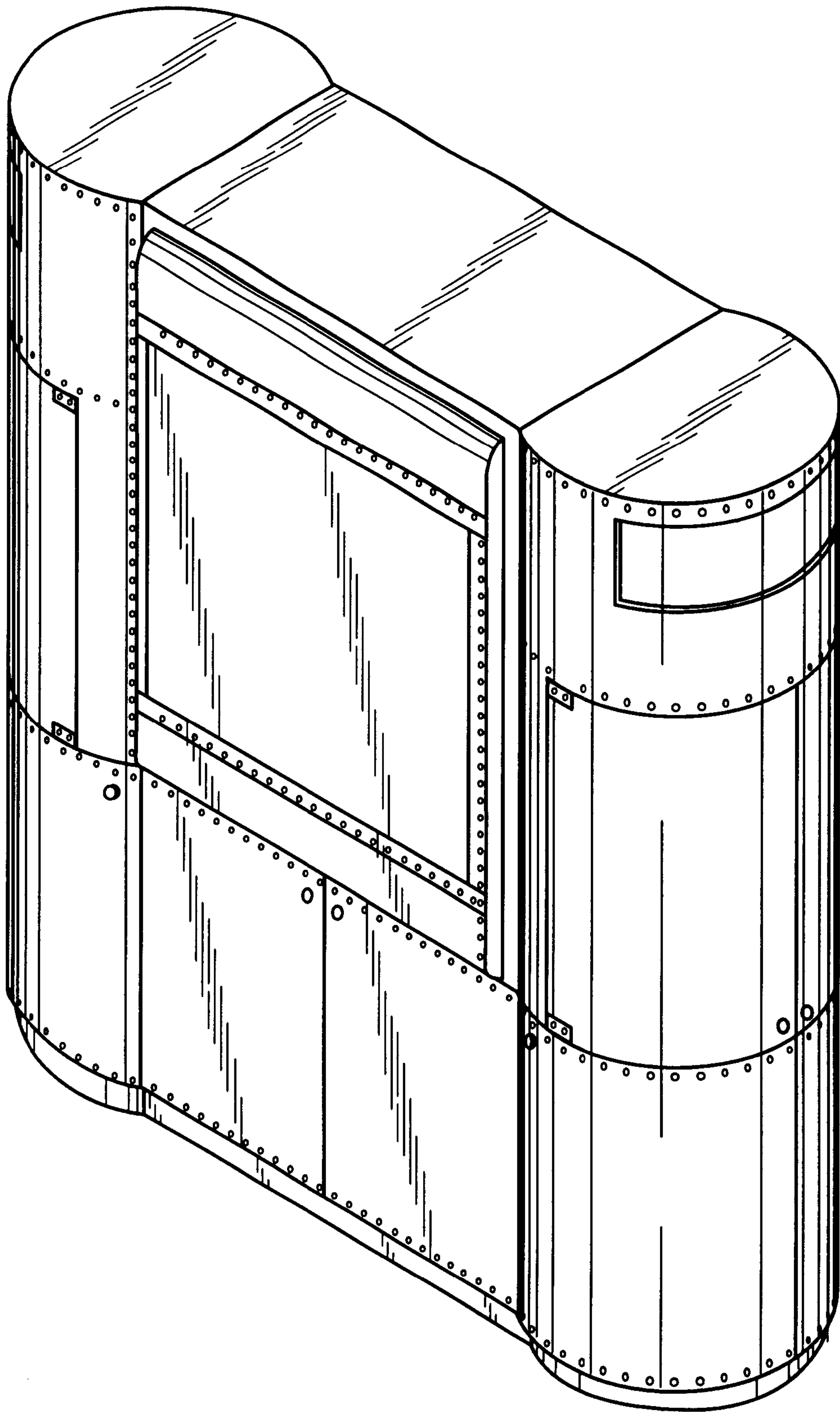


Fig. 7

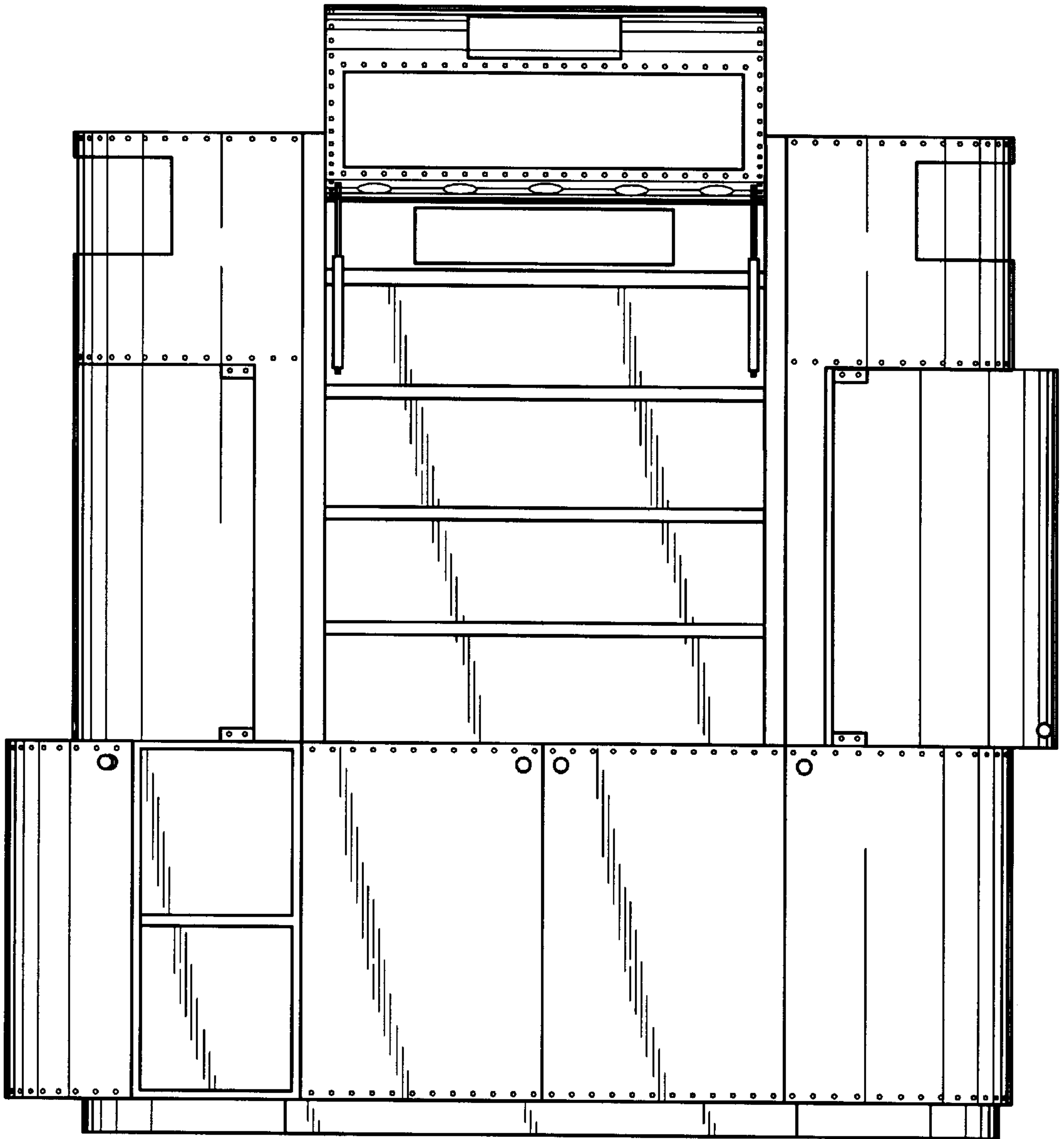


Fig. 8

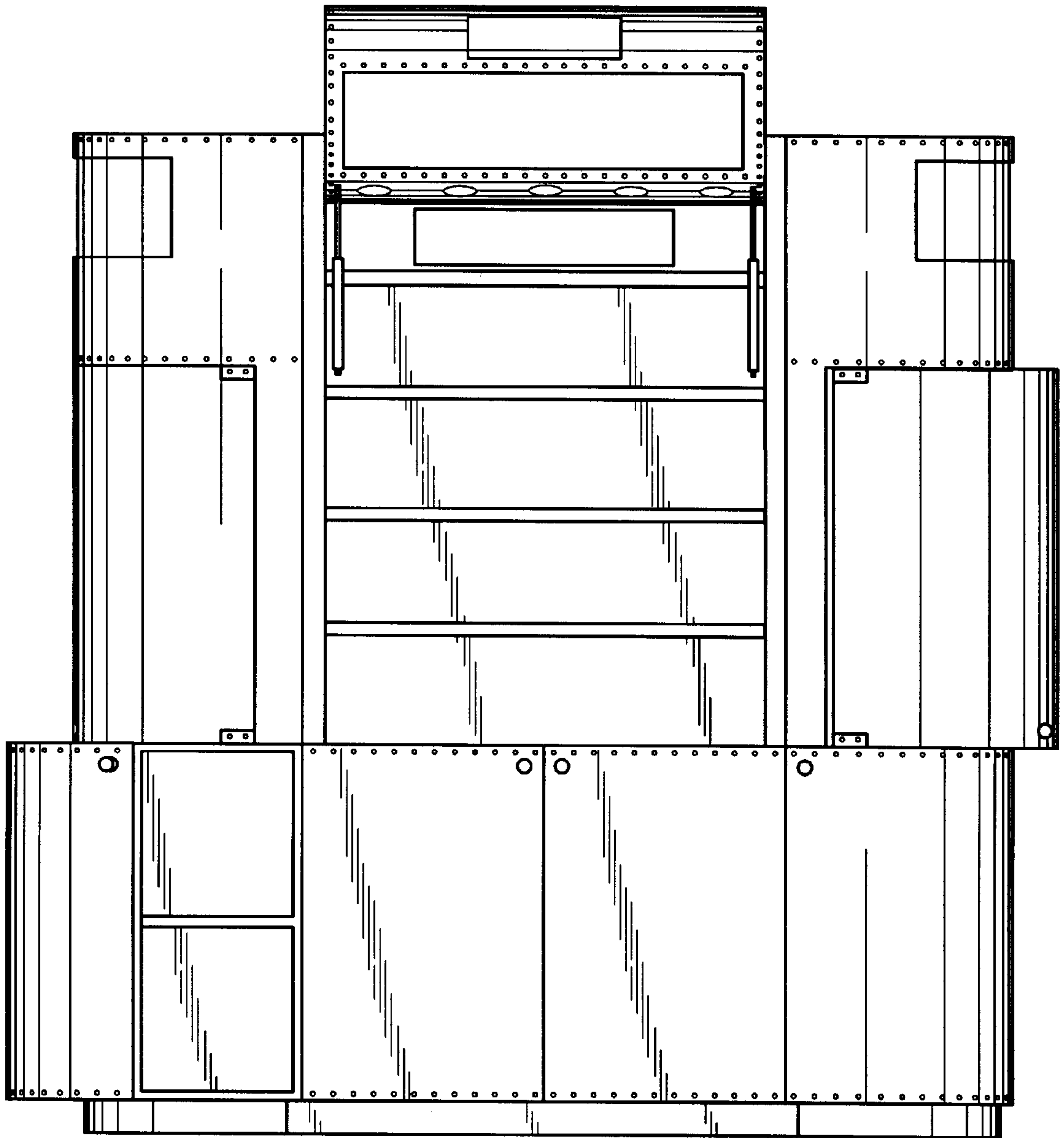


Fig. 9

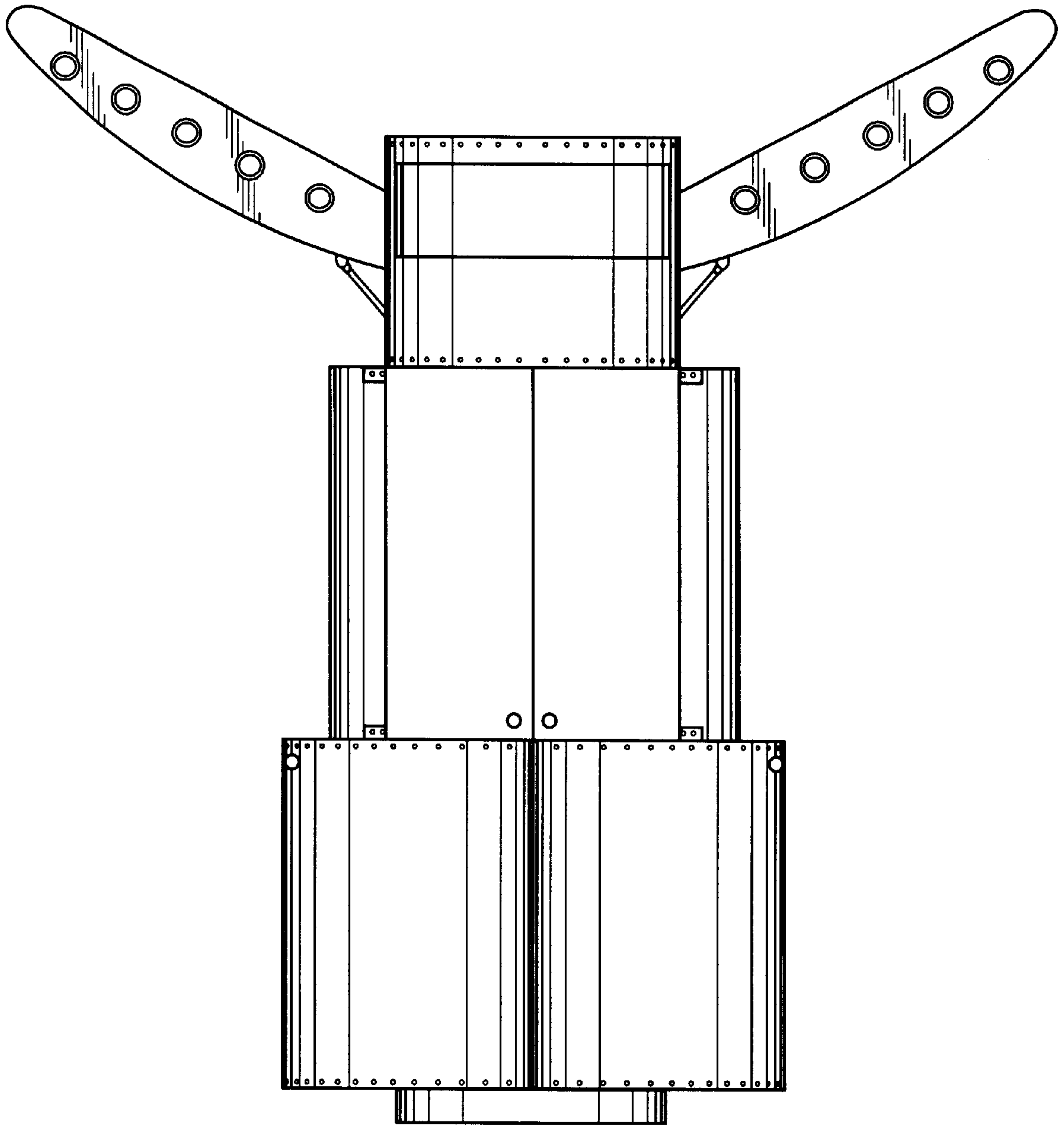


Fig. 10

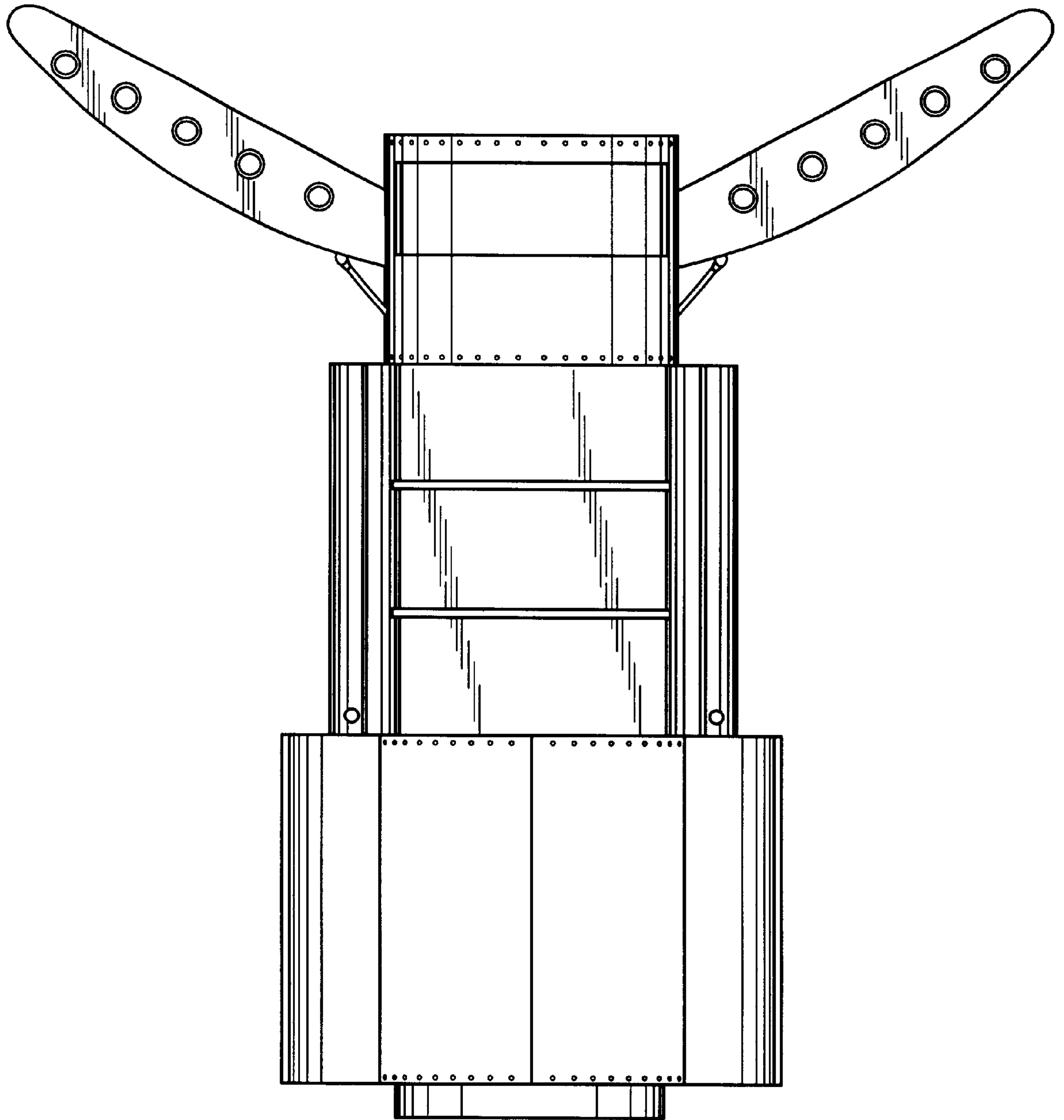


Fig. 11

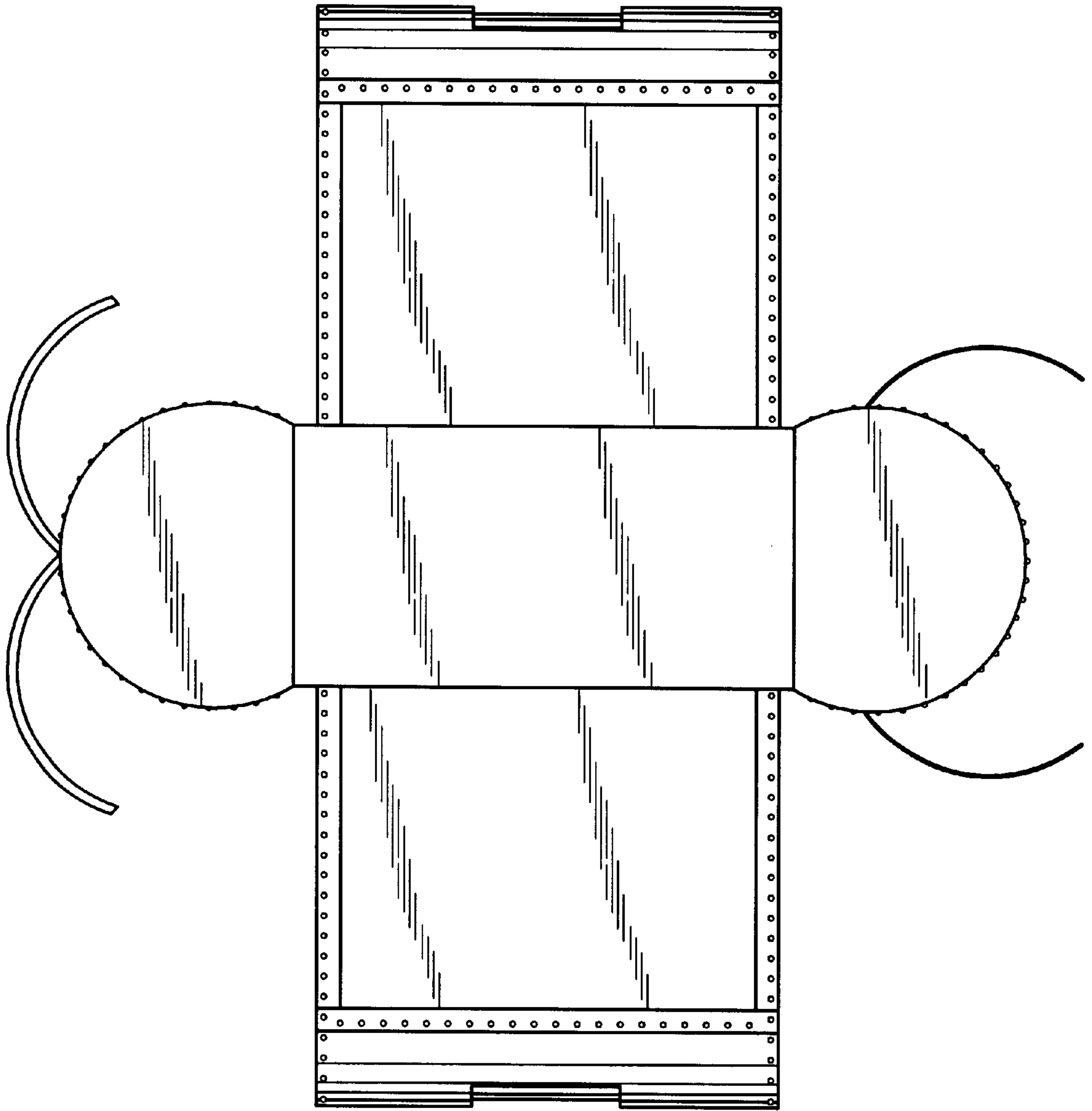


Fig. 12

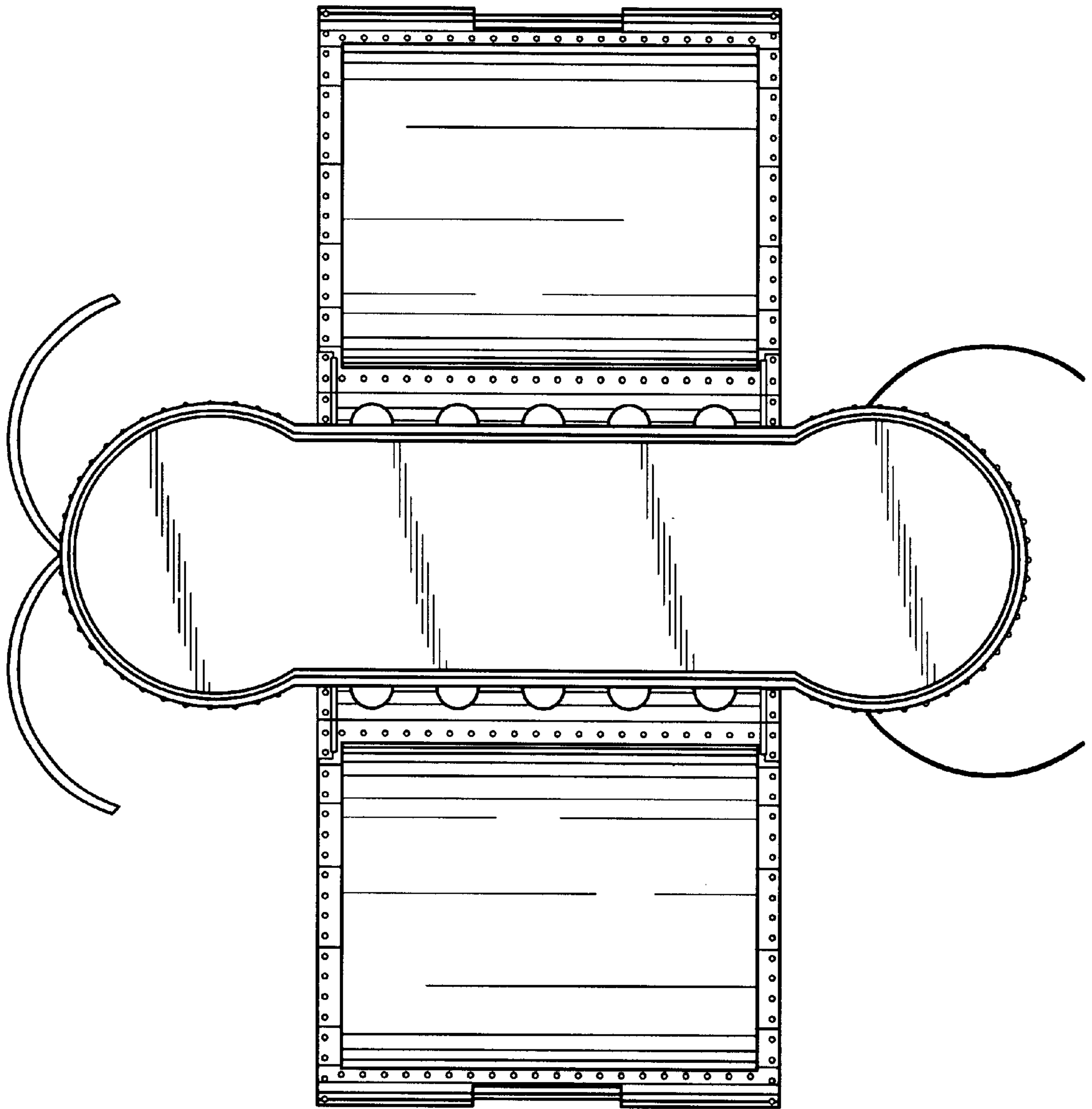


Fig. 13

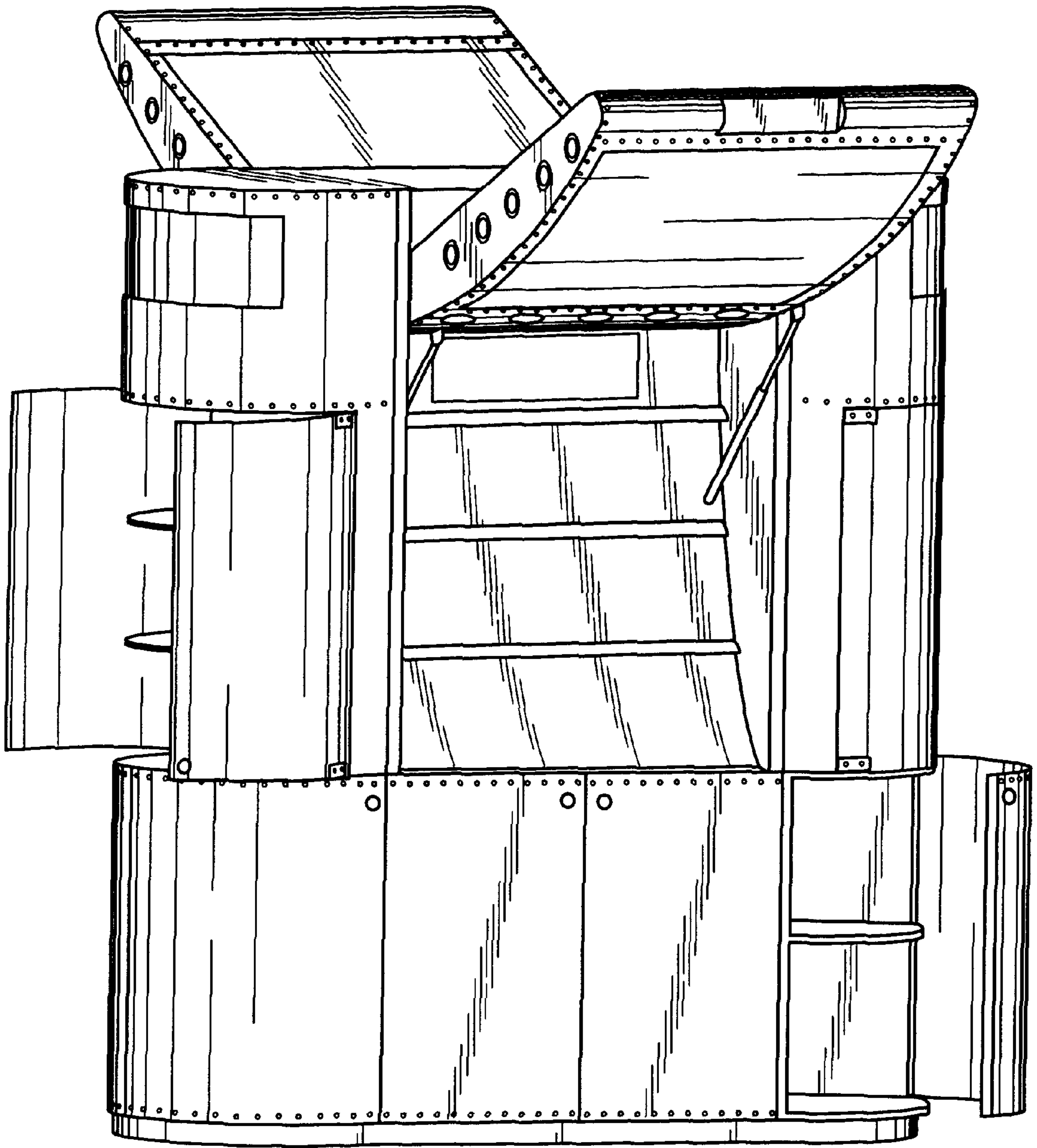


Fig. 14

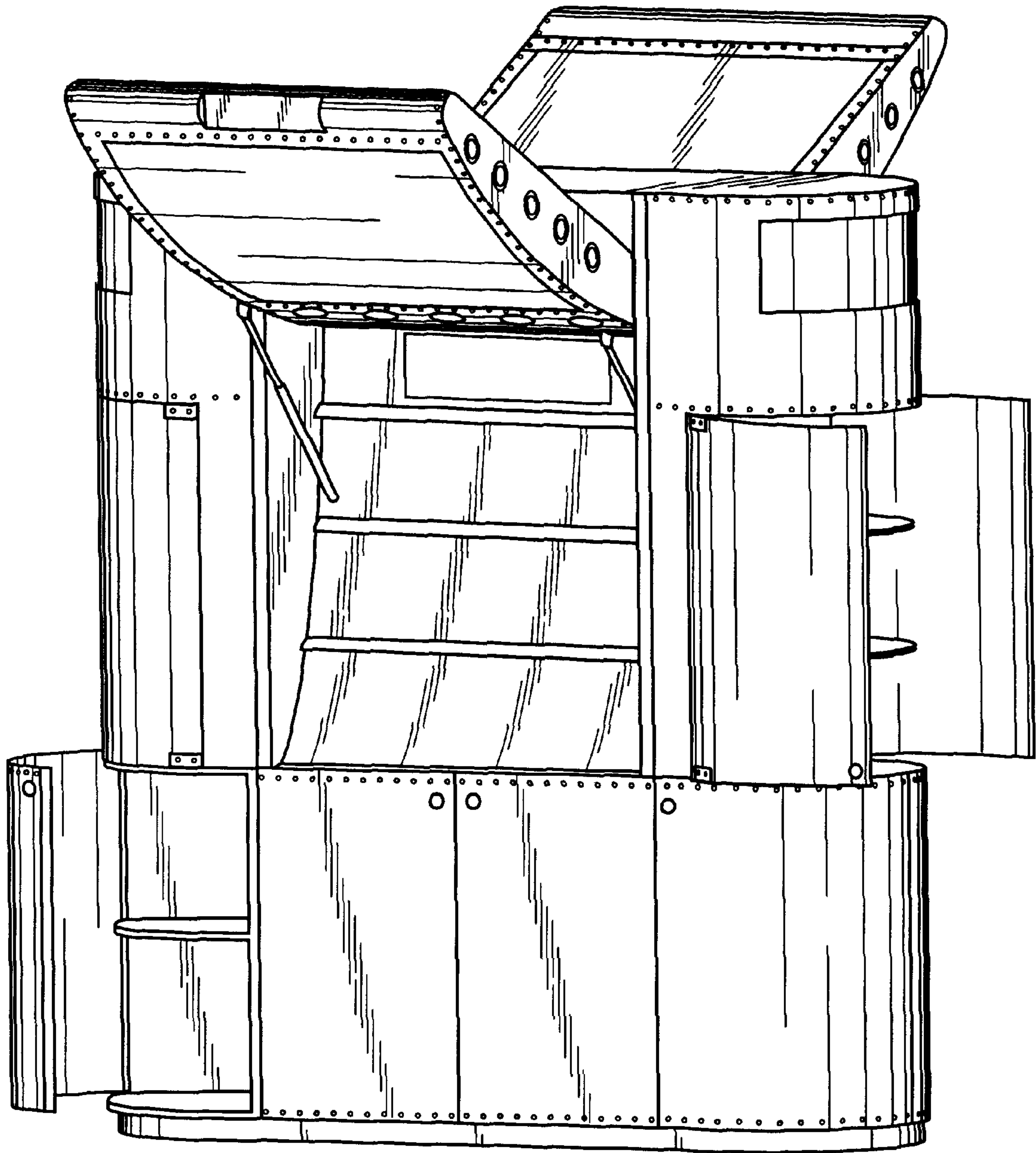


Fig. 15