



US00D446402B1

(12) **United States Design Patent**
Davies

(10) **Patent No.:** **US D446,402 S**

(45) **Date of Patent:** **** Aug. 14, 2001**

(54) **PLANT STAND**

(76) Inventor: **Robert J. Davies**, 15905 Snodgrass Rd., Wamego, KS (US) 66547-9328

(**) Term: **14 Years**

(21) Appl. No.: **29/126,614**

(22) Filed: **Jul. 18, 2000**

(51) **LOC (7) Cl.** **06-99**

(52) **U.S. Cl.** **D6/403**

(58) **Field of Search** D11/143-155;
D6/403-405, 455, 458, 460, 556, 557, 558;
47/39, 41.01, 44, 46, 47, 65.5, 67, 70; 206/423;
211/85.23, 85.31, 181.1, 106; 248/121,
153, 27.8, 175; 108/92

(56) **References Cited**

U.S. PATENT DOCUMENTS

225,345	3/1880	Clark .	
669,378	3/1901	Baldwin .	
816,053	* 3/1906	Wittbold	108/92
1,045,123	11/1912	Clisby .	
1,536,678	* 5/1925	Markowski	211/85.23
1,797,077	* 3/1931	Dew et al.	248/121

2,522,255	9/1950	Climo .	
5,178,286	* 1/1993	Allison, III	D11/85.23
5,240,214	8/1993	Birnbaum et al. .	
6,050,529	* 4/2000	Lin	248/121

* cited by examiner

Primary Examiner—Doris V. Coles

Assistant Examiner—Mimosa De

(74) *Attorney, Agent, or Firm*—Shook, Hardy & Bacon LLP

(57) **CLAIM**

The ornamental design for a plant stand, as shown and described.

DESCRIPTION

FIG. 1 is a perspective view of a plant stand according to the present invention;
FIG. 2 is a front elevational view thereof;
FIG. 3 is a top plan view thereof;
FIG. 4 is a rear elevational view thereof; and
FIG. 5 is a side elevational view thereof, the opposite side being a mirror image thereof; and
FIG. 6 is a bottom plan view thereof.

1 Claim, 2 Drawing Sheets

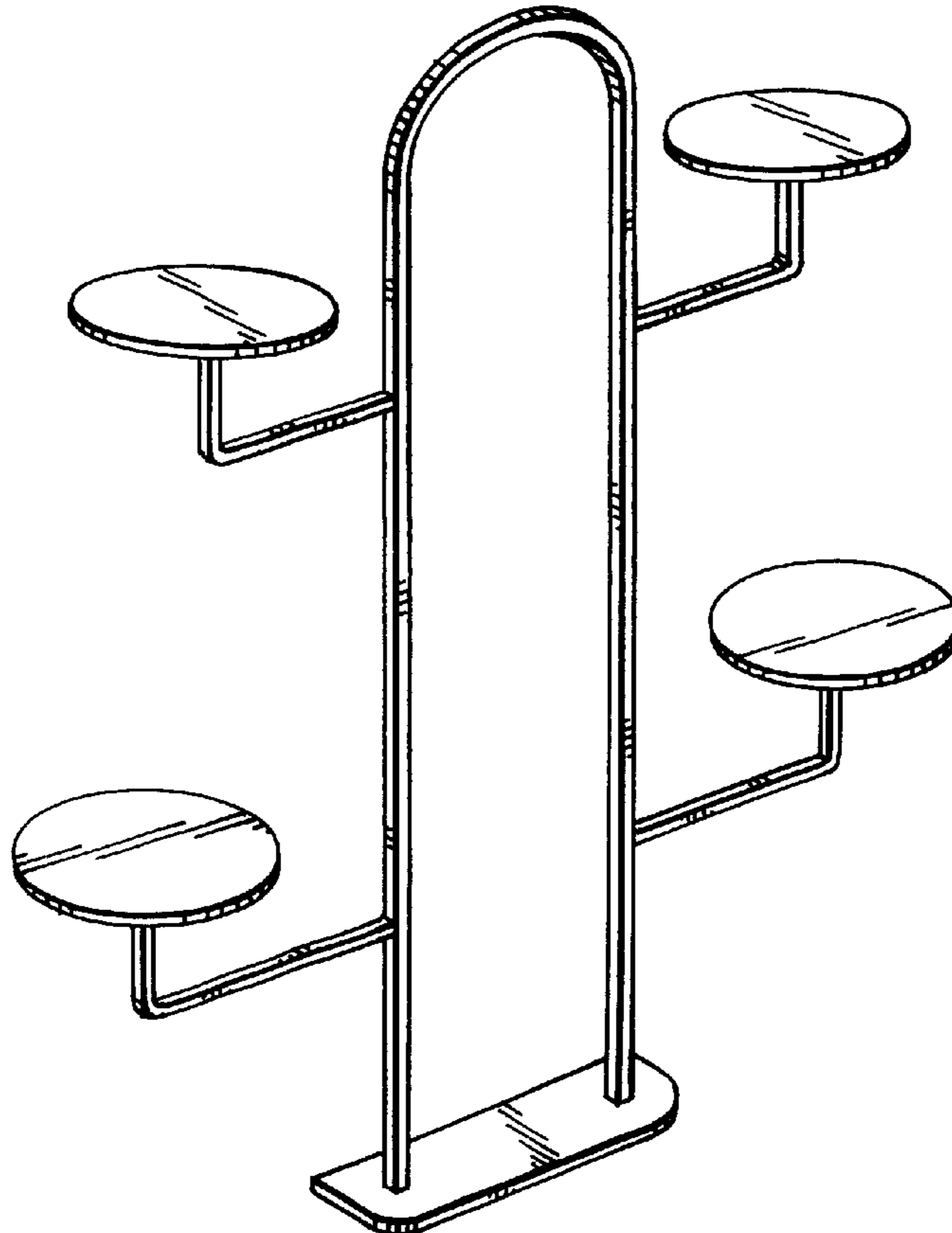


Fig. 2.

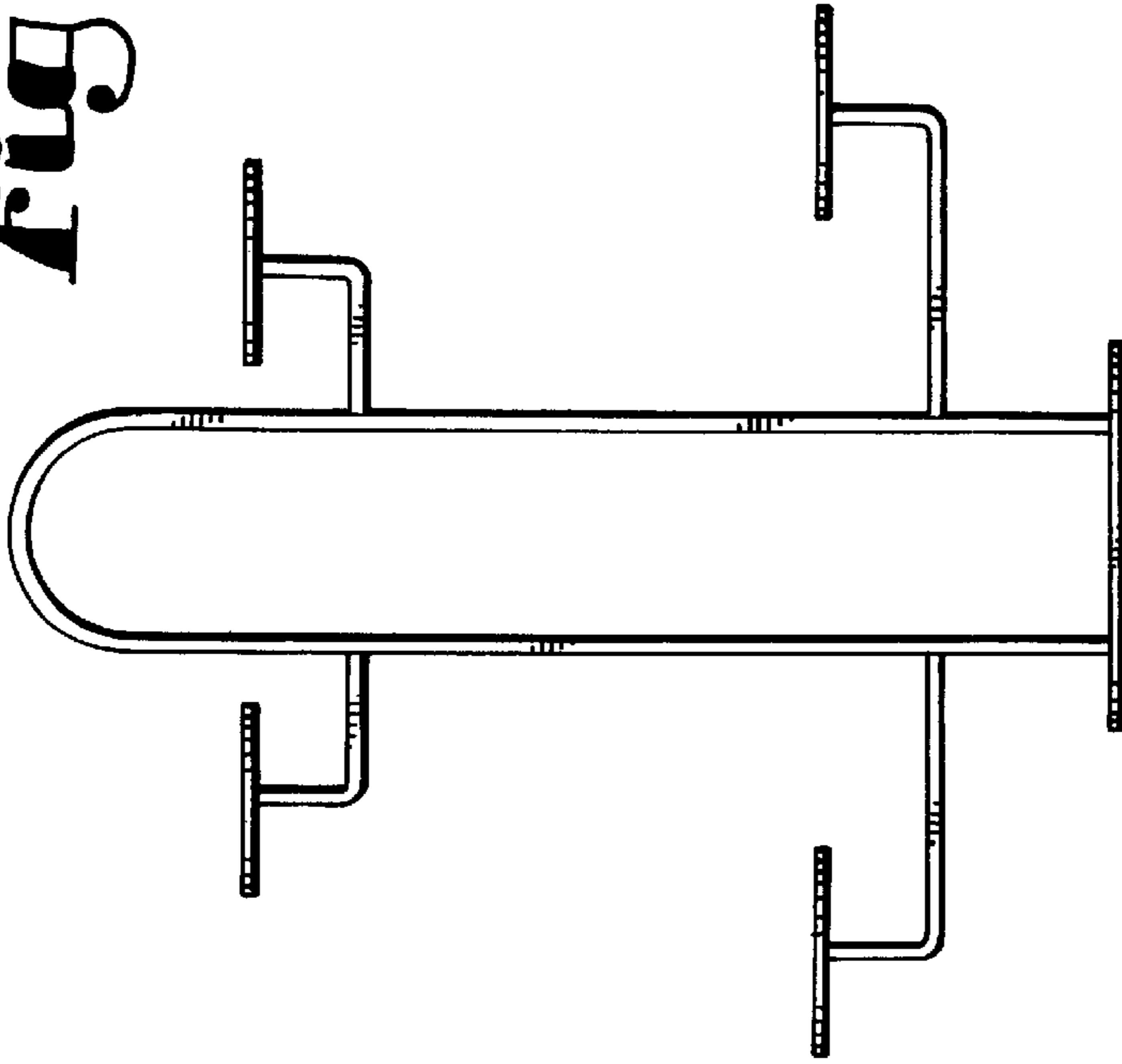


Fig. 3.

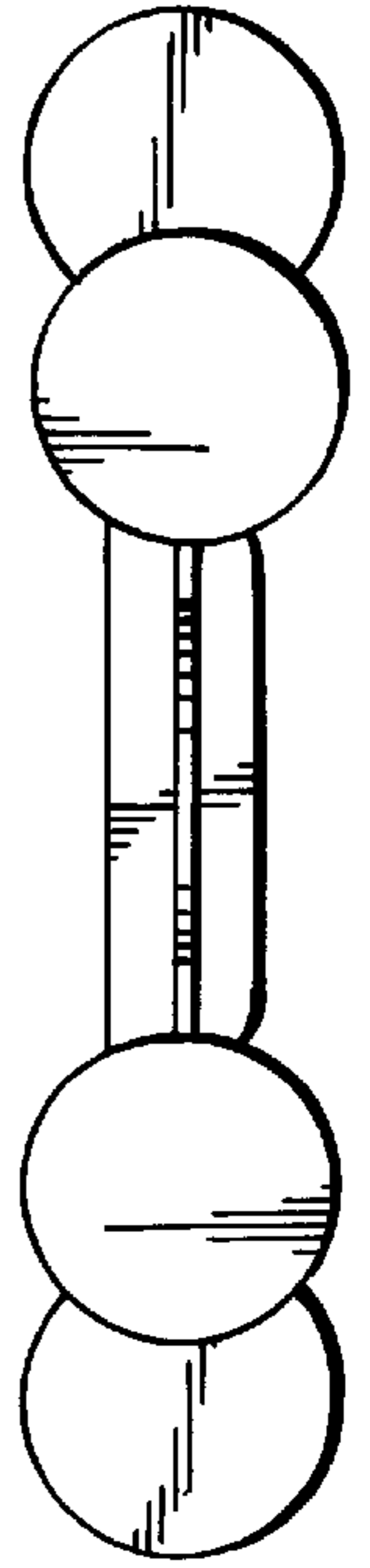


Fig. 1.

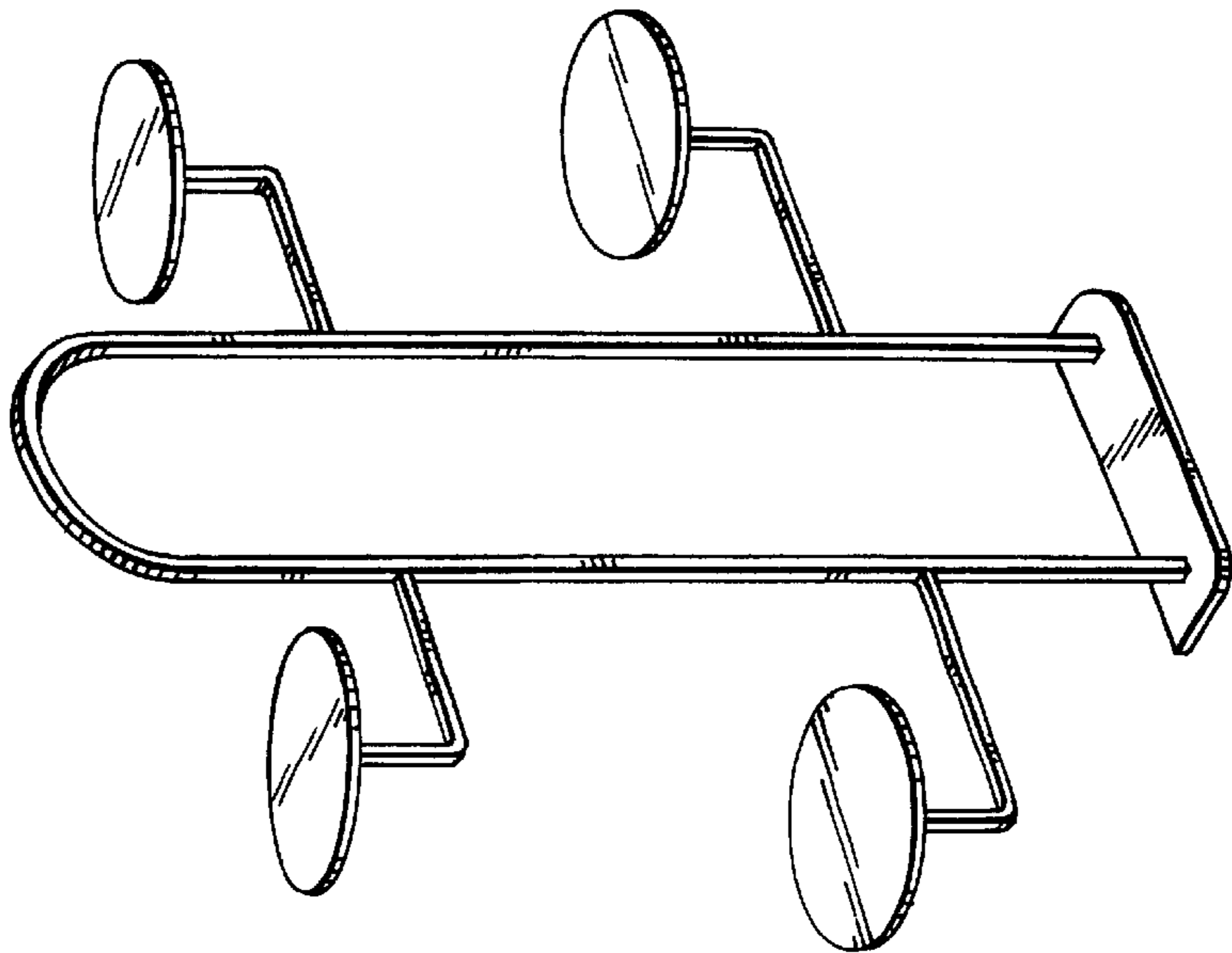


Fig. 5.

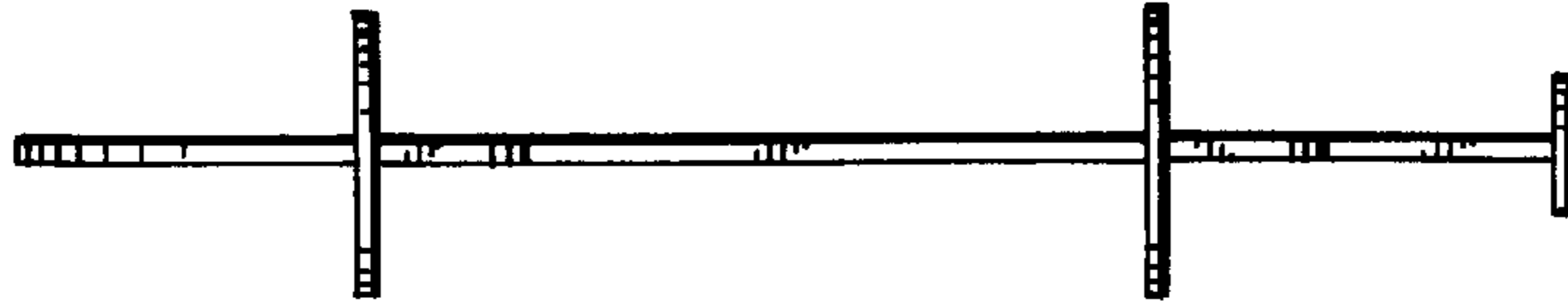


Fig. 4.

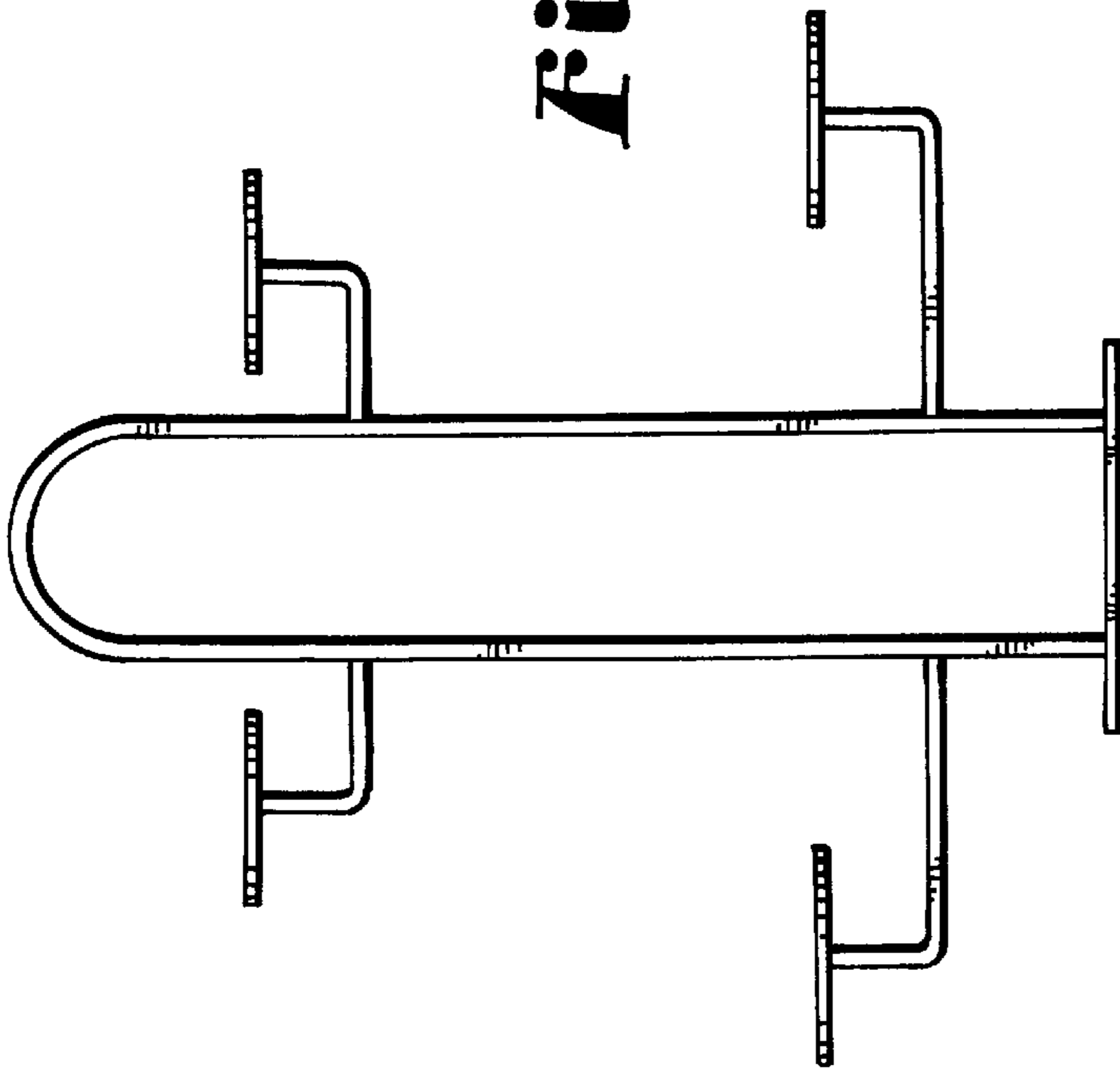


Fig. 6.

