



US00D446398B1

(12) **United States Design Patent**
Sterling et al.

(10) **Patent No.:** **US D446,398 S**

(45) **Date of Patent:** **** Aug. 14, 2001**

(54) **RACK ATTACHMENT**

(76) Inventors: **John R. Sterling**, 423 Marawood Dr., Woodstock, IL (US) 60098; **Richard G. Kluge**, Rte. 3, W-1461, Maureen Ct., Lake Geneva, WI (US) 53147

(**) Term: **14 Years**

(21) Appl. No.: **29/118,691**

(22) Filed: **Feb. 14, 2000**

(51) **LOC (7) Cl.** **08-01**

(52) **U.S. Cl.** **D6/367**

(58) **Field of Search** D6/566, 567; D8/367, D8/370; 211/86.01, 181.1; 248/200, 205.1, 220.21, 220.31, 220.41, 302, 304, 309.1, 309.2, 205.3

(56) **References Cited**

U.S. PATENT DOCUMENTS

- D. 245,652 * 9/1977 Crysedale D6/553
- D. 384,534 * 10/1997 Kiggins D6/567
- 4,008,871 * 2/1977 Rex 248/205.3

OTHER PUBLICATIONS

Advertising Slick: Heavy Duty Wall Organizer Value Pack, Model RP-0024, 2 pages, Form No. RP24-SI, John Sterling Corporation, Copyright 1991.

Advertising Slick: Home Storage & Organization, John Sterling Corporation, 1 page, Form No. ORGI-SL, Copyright 1997.

* cited by examiner

Primary Examiner—Brian N. Vinson

(57) **CLAIM**

The ornamental design for a rack attachment, as shown and described.

DESCRIPTION

FIG. 1 is a top, front, and right side perspective view of a rack attachment showing a first embodiment of my new design;

FIG. 2 is a reduced left side elevational view thereof;

FIG. 3 is a reduced top plan view thereof;

FIG. 4 is a reduced bottom plan view thereof;

FIG. 5 is a reduced front elevational view thereof;

FIG. 6 is a top, front, and right side perspective view of a rack attachment showing a second embodiment of my new design;

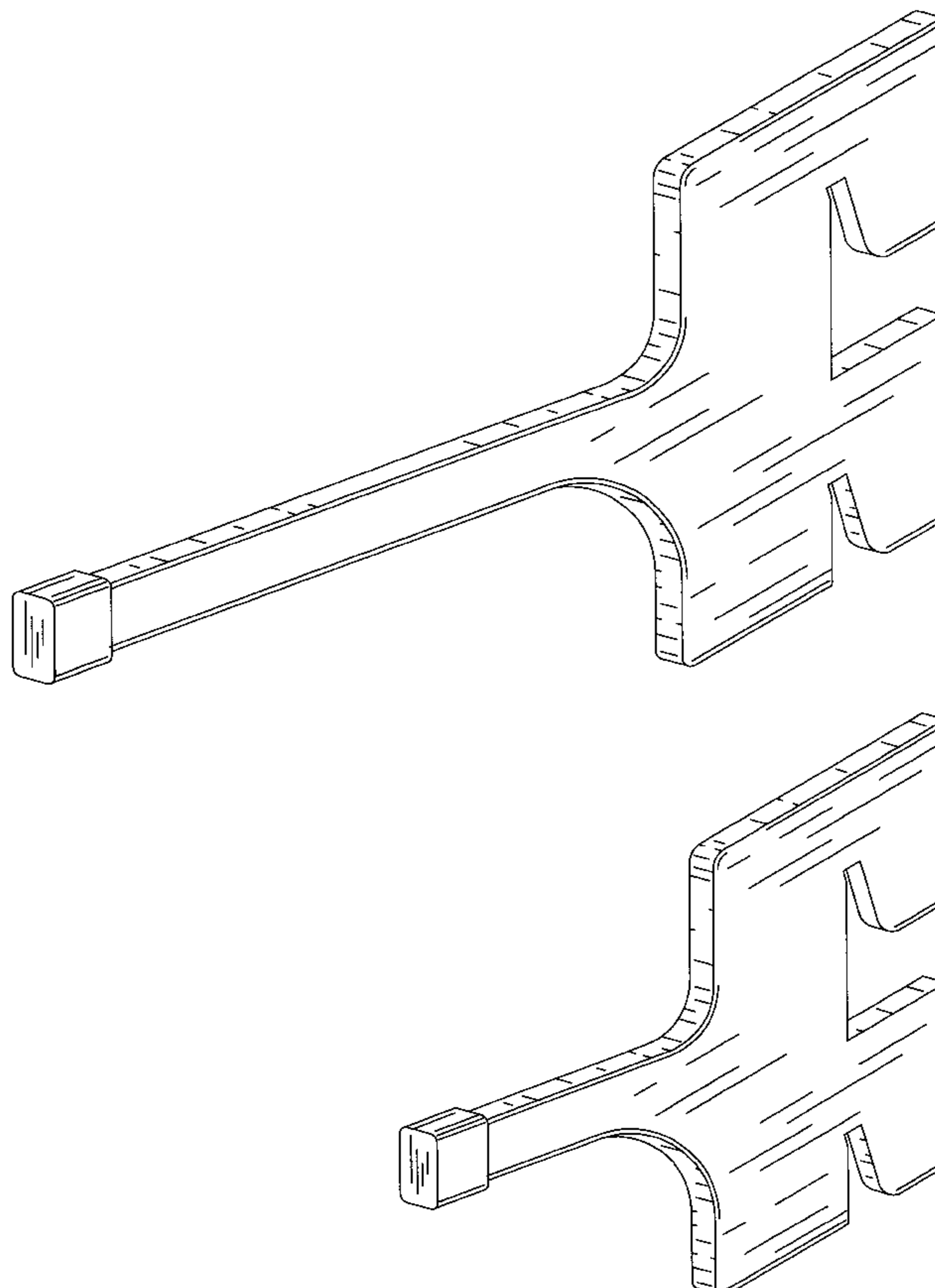
FIG. 7 is a reduced left side elevational view thereof;

FIG. 8 is a reduced top plan view thereof;

FIG. 9 is a reduced bottom plan view thereof; and,

FIG. 10 is a reduced front elevational view thereof.

1 Claim, 4 Drawing Sheets



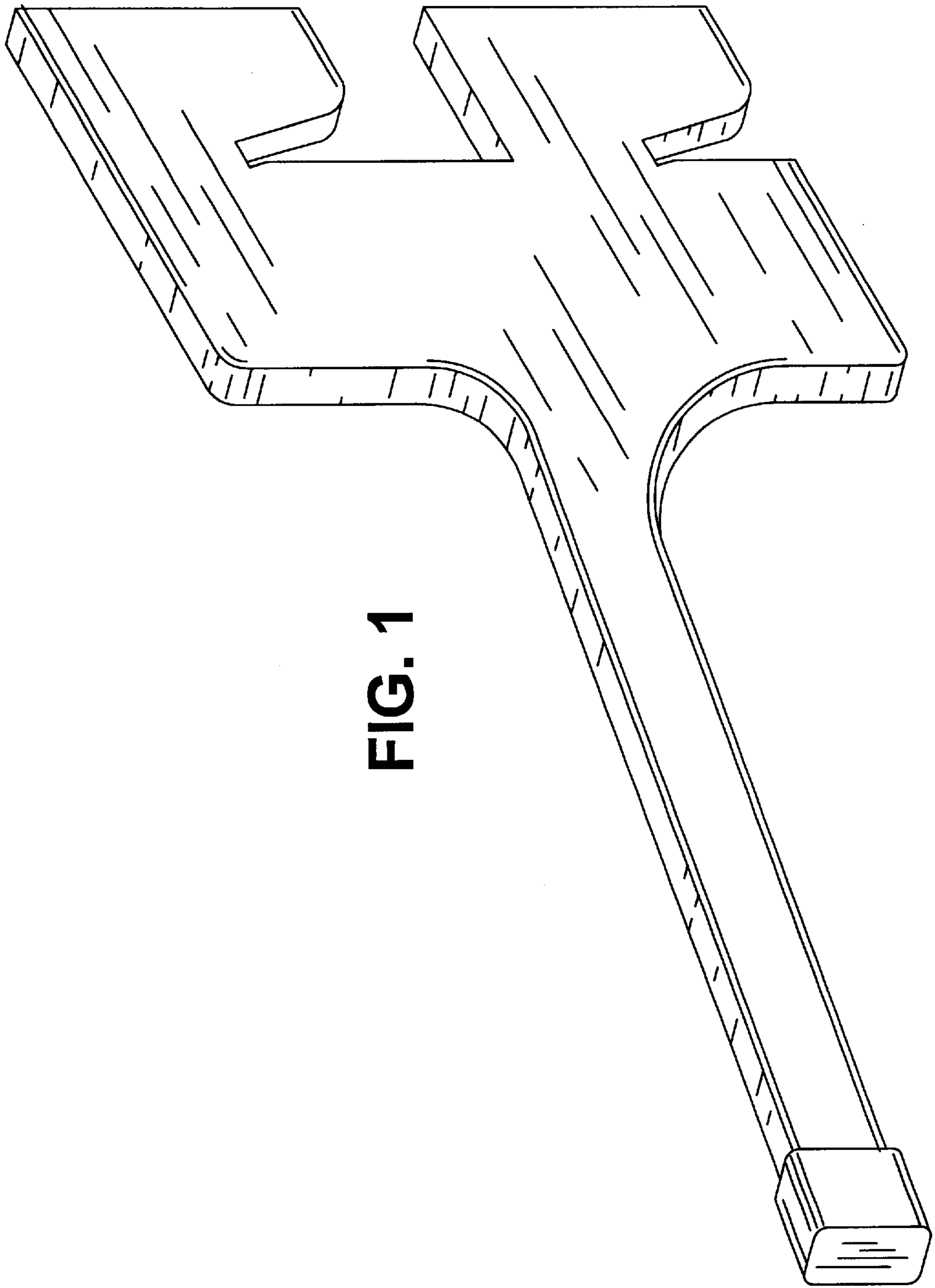


FIG. 1



FIG. 3

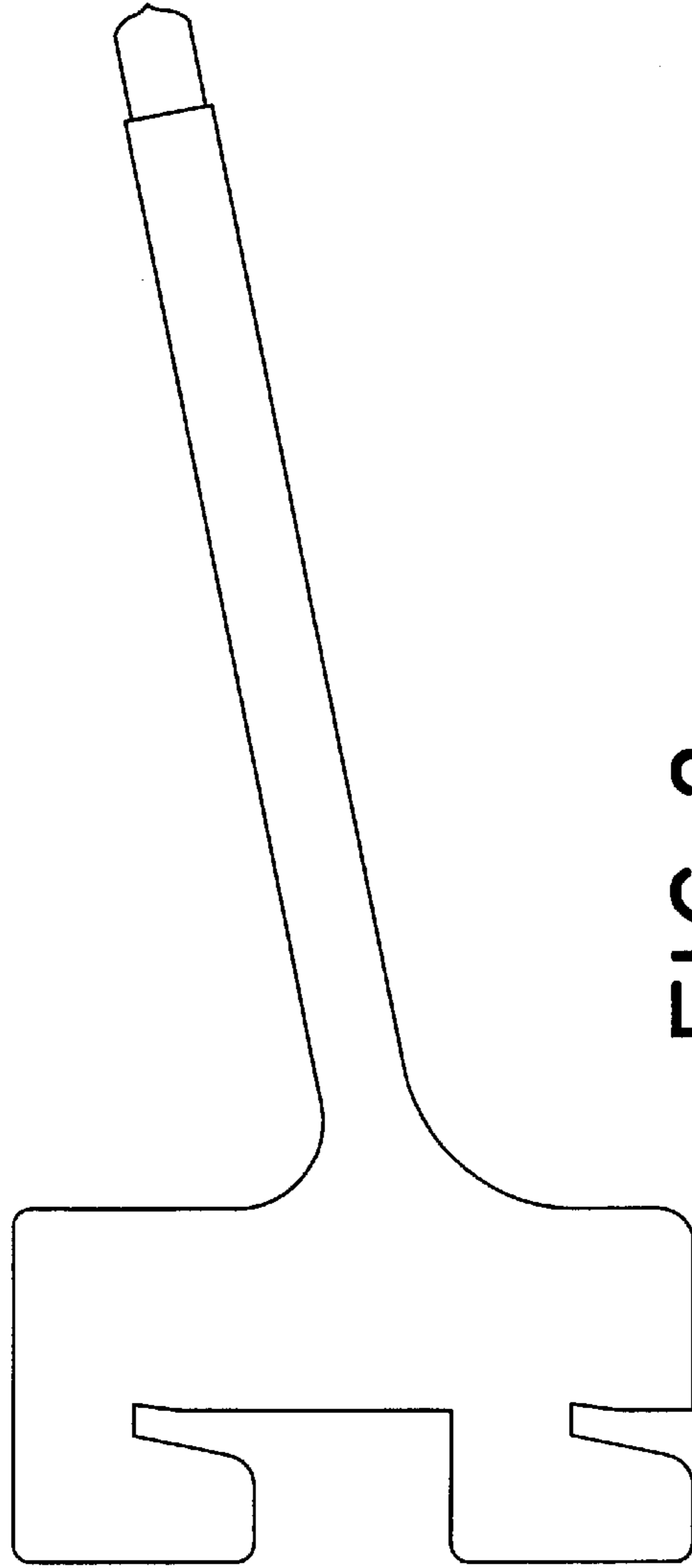


FIG. 2

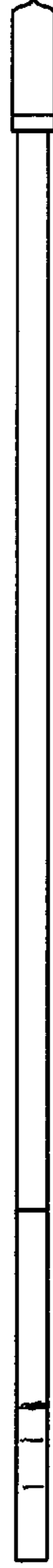


FIG. 4

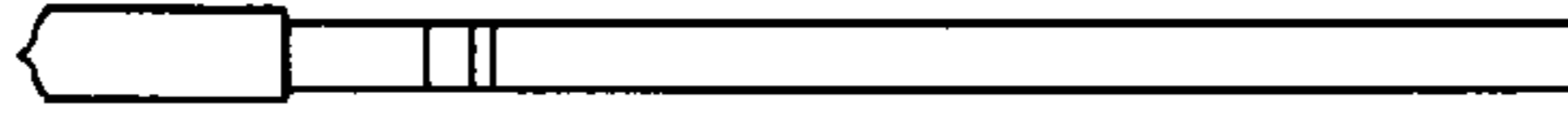


FIG. 5

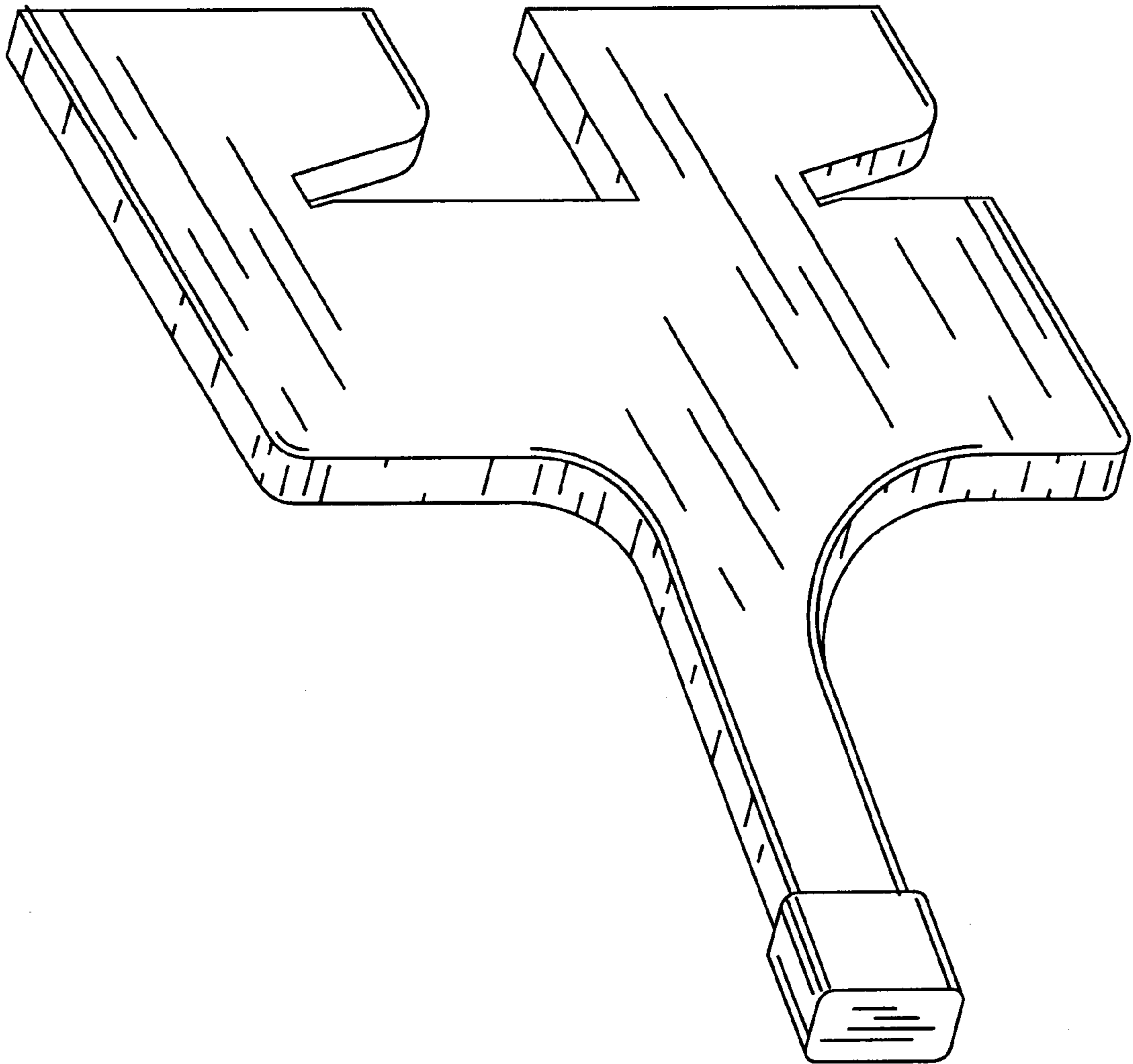


FIG. 6



FIG. 8

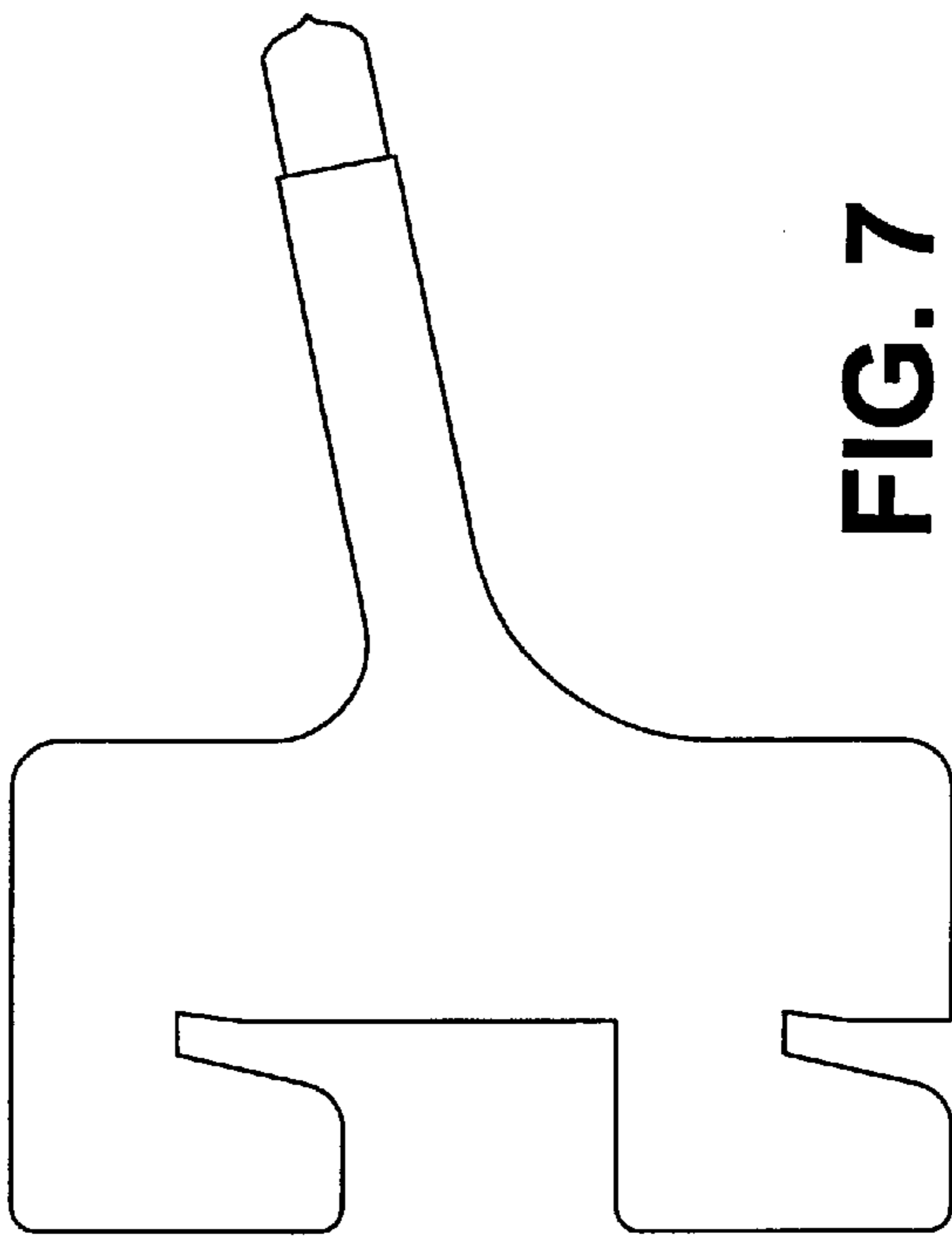


FIG. 7



FIG. 10



FIG. 9