



US00D446397B1

(12) **United States Design Patent**
Pennington et al.

(10) **Patent No.:**

US D446,397 S

(45) **Date of Patent:**

**** Aug. 14, 2001**

(54) **CHAIR**

(75) Inventors: **Mark Rundle Pennington; Jon Leonard Fifield; Kent Wallace Parker**, all of Wellington (NZ)

(73) Assignee: **Formway Furniture Limited**, Wellington (NZ)

(**) Term: **14 Years**

(21) Appl. No.: **29/130,410**

(22) Filed: **Sep. 28, 2000**

(51) **LOC (7) Cl.** **06-01**

(52) **U.S. Cl.** **D6/366**

(58) **Field of Search** D6/334, 335, 364,
D6/365, 366, 367, 380, 500, 501, 502;
297/411.2, 411.27, 411.31, 411.36

- 0 032 839 B1 7/1981 (EP) .
- 0 164 266 A2 12/1985 (EP) .
- 0 164 267 A2 12/1985 (EP) .
- 0 216 578 A2 4/1987 (EP) .
- 0 247 311 B1 12/1987 (EP) .
- 0 249 584 B1 12/1987 (EP) .
- 0 277 474 B2 8/1988 (EP) .
- 0 338 050 B1 10/1989 (EP) .
- 0 499 594 A1 8/1992 (EP) .
- 0 539 733 B1 5/1993 (EP) .
- 0 561 518 A1 9/1993 (EP) .
- 0 592 369 B1 4/1994 (EP) .
- 0 638 265 B1 2/1995 (EP) .
- 0 645 974 B1 4/1995 (EP) .
- 0 960 586 A2 12/1999 (EP) .
- 1 013 198 A2 6/2000 (EP) .
- 2 068 717 B 8/1981 (GB) .
- 2 165 445 A 4/1986 (GB) .
- WO 91/03969 4/1991 (WO) .
- WO 93/03653 3/1993 (WO) .
- WO 94/08491 4/1994 (WO) .
- WO 98/08424 3/1998 (WO) .

(56) **References Cited**

U.S. PATENT DOCUMENTS

- D. 233,638 * 11/1974 Offredi D6/366
- D. 273,728 * 5/1984 Cafiero D6/366
- D. 327,781 * 7/1992 Citterio D6/366
- D. 379,567 * 6/1997 Grivet D6/500
- D. 390,712 * 2/1998 Koepke et al. D6/366
- D. 405,283 * 2/1999 James D6/366
- D. 407,911 * 4/1999 Bräuning D6/366
- D. 411,928 * 7/1999 Ritch et al. D6/500
- D. 436,768 * 1/2001 Jenkins et al. D6/500
- D. 437,497 * 2/2001 Bräuning D6/366
- D. 437,701 * 2/2001 Bellini et al. D6/366
- 2,612,211 9/1952 Gielow et al. .
- 2,760,556 8/1956 Henrikson et al. .
- 2,796,918 6/1957 Luckhardt .
- 3,620,568 11/1971 Morrow .
- 3,712,666 1/1973 Stoll .

(List continued on next page.)

FOREIGN PATENT DOCUMENTS

- 197 16 347
- A1 10/1998 (DE) .

Primary Examiner—Gary D. Watson

(74) *Attorney, Agent, or Firm*—Workman, Nydegger, Seeley

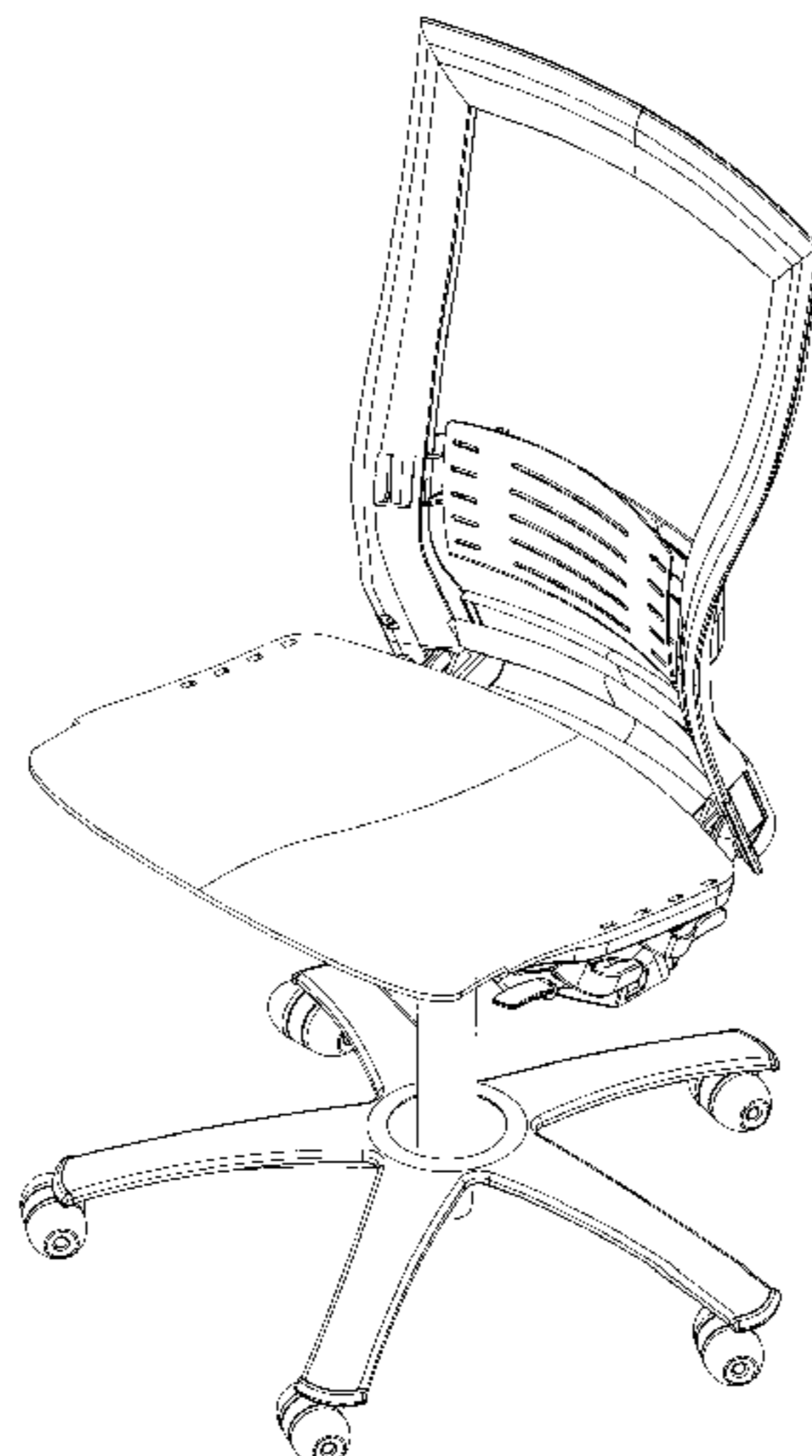
(57) **CLAIM**

The ornamental design for a chair, as shown and described.

DESCRIPTION

FIG. 1 is a perspective view of an inventive chair;
 FIG. 2 is an elevational front view of the chair shown in FIG. 1;
 FIG. 3 is an elevational back view of the chair shown in FIG. 1;
 FIG. 4 is an elevational left side view of the chair shown in FIG. 1;
 FIG. 5 is an elevational right side view of the chair shown in FIG. 1;
 FIG. 6 is a top plan view of the chair shown in FIG. 1; and,
 FIG. 7 is a bottom plan view of the chair shown in FIG. 1.

1 Claim, 7 Drawing Sheets



U.S. PATENT DOCUMENTS

4,043,592	8/1977	Fries .	5,308,145	5/1994	Koepke et al. .
4,143,910	3/1979	Geffers et al. .	5,314,237	5/1994	Koepke et al. .
4,380,352	4/1983	Diffrient .	5,354,120	10/1994	Völkle .
4,390,206	6/1983	Faiks et al. .	5,401,077	3/1995	Hosoe .
4,408,797	10/1983	Franck et al. .	5,486,035	1/1996	Koepke et al. .
4,429,917	2/1984	Diffrient .	5,547,252	8/1996	Pfenniger .
4,479,679	10/1984	Fries et al. .	5,567,011	10/1996	Sessini .
4,498,702	2/1985	Raftery .	5,575,534	11/1996	Yu .
4,509,793	4/1985	Wiesmann et al. .	5,577,807	11/1996	Hodge et al. .
4,552,406	11/1985	Ohl .	5,660,439	8/1997	Unwalla .
4,555,136	11/1985	Dranger .	5,711,575	1/1998	Hand et al. .
4,560,199	12/1985	Sapper .	5,725,277	3/1998	Knoblock .
4,585,272	4/1986	Ballarini .	5,765,804	6/1998	Stumpf et al. .
4,685,730	8/1987	Linguanotto .	5,765,914	6/1998	Britain et al. .
4,711,491	12/1987	Ginat .	5,772,282	6/1998	Stumpf et al. .
4,733,910	3/1988	Brennan .	5,791,736	8/1998	Herbert .
4,765,679	8/1988	Lanuzzi et al. .	5,826,940	10/1998	Hodgdon .
4,776,633	10/1988	Knoblock et al. .	5,860,701	1/1999	Jungjohann et al. .
4,848,837	7/1989	Völkle .	5,868,467	2/1999	Moll .
4,869,552	9/1989	Tolleson et al. .	5,909,923	6/1999	DeKraker .
4,981,326	1/1991	Heidmann .	5,964,503	10/1999	Inoue .
4,988,145	1/1991	Engel .	5,971,481	10/1999	Emmenegger et al. .
5,009,466	4/1991	Perry .	5,975,634	11/1999	Knoblock et al. .
5,022,709	6/1991	Marchino .	6,010,189	1/2000	Hybarger et al. .
5,050,931	9/1991	Knoblock .	6,035,901	3/2000	Stumpf et al. .
5,100,201	3/1992	Becker, III et al. .	6,039,397	3/2000	Ginat .
5,102,196	4/1992	Kaneda et al. .	6,056,360	5/2000	Schneider .
5,171,209	12/1992	Gamba .	6,059,368	5/2000	Stumpf et al. .
5,251,958	10/1993	Roericht et al. .	6,120,096	9/2000	Miotto .

* cited by examiner

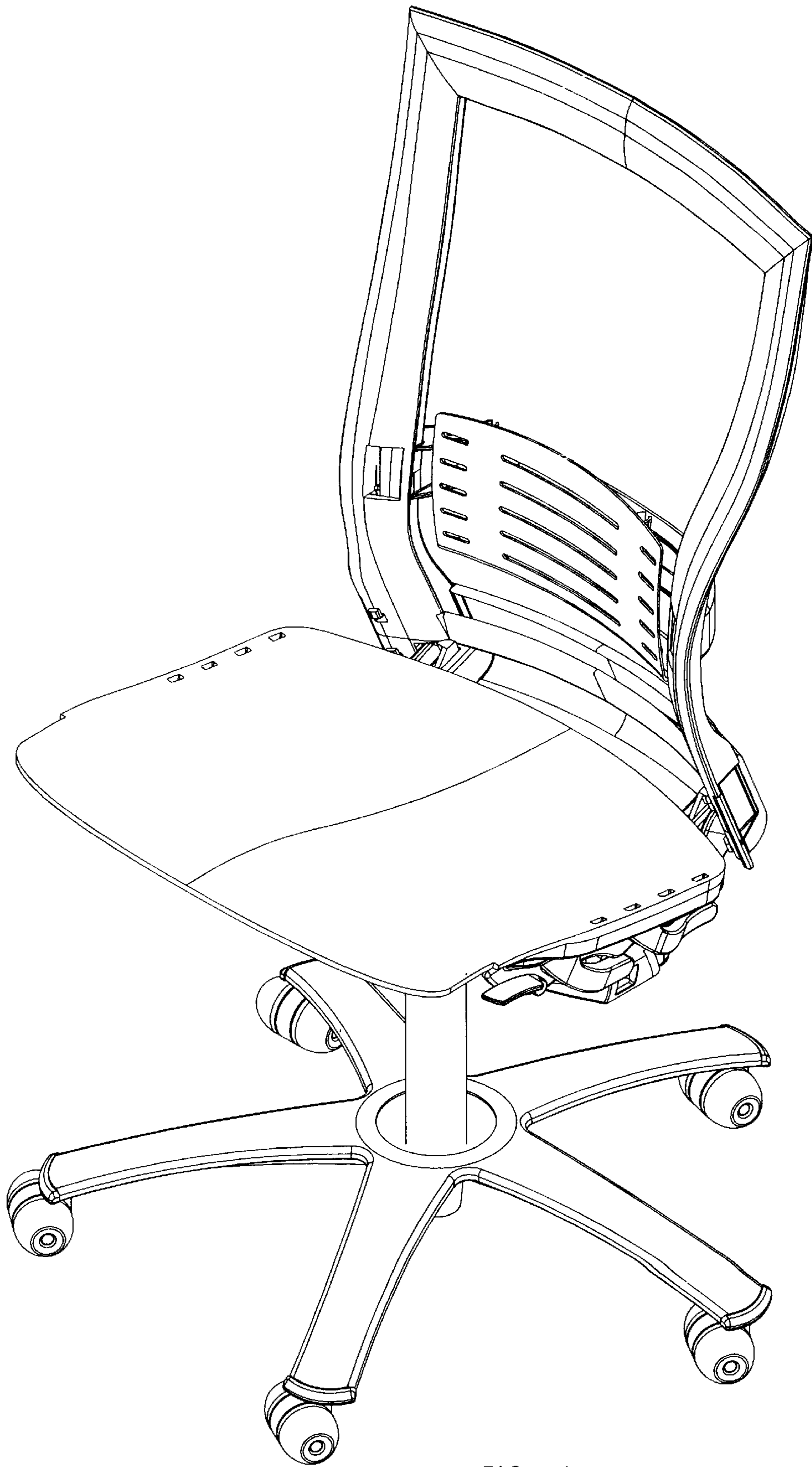


FIG. 1

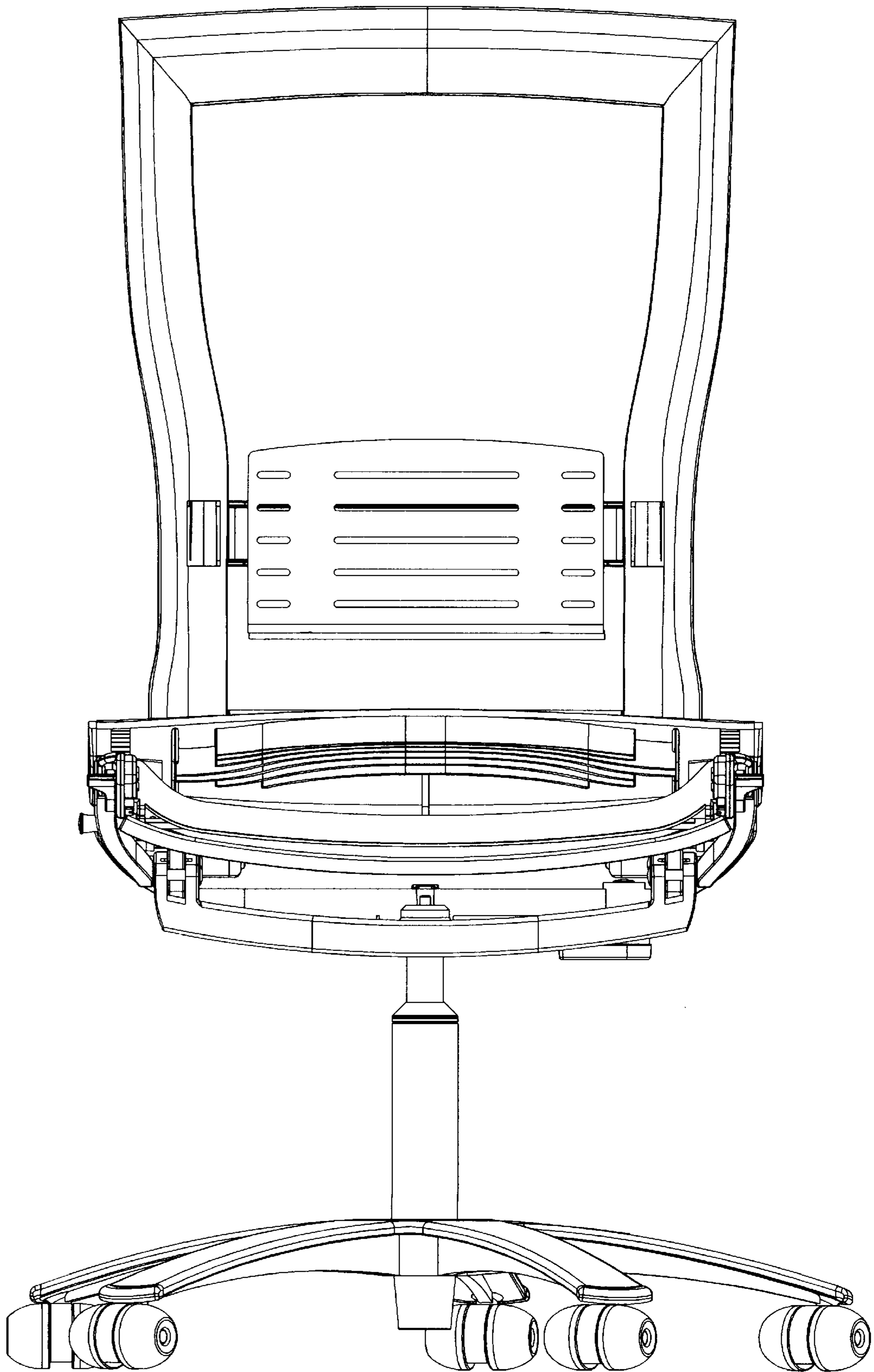


FIG. 2

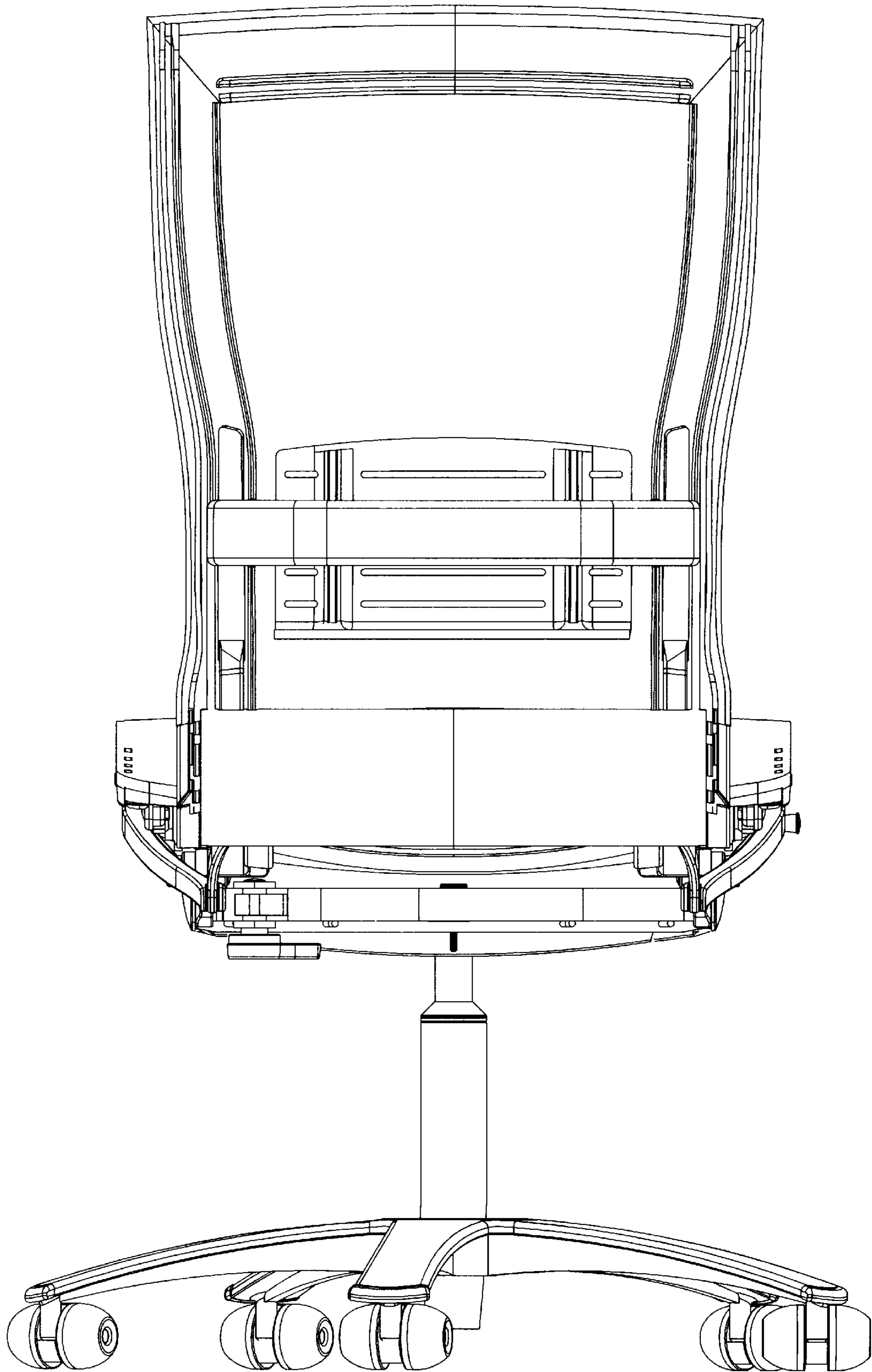


FIG. 3

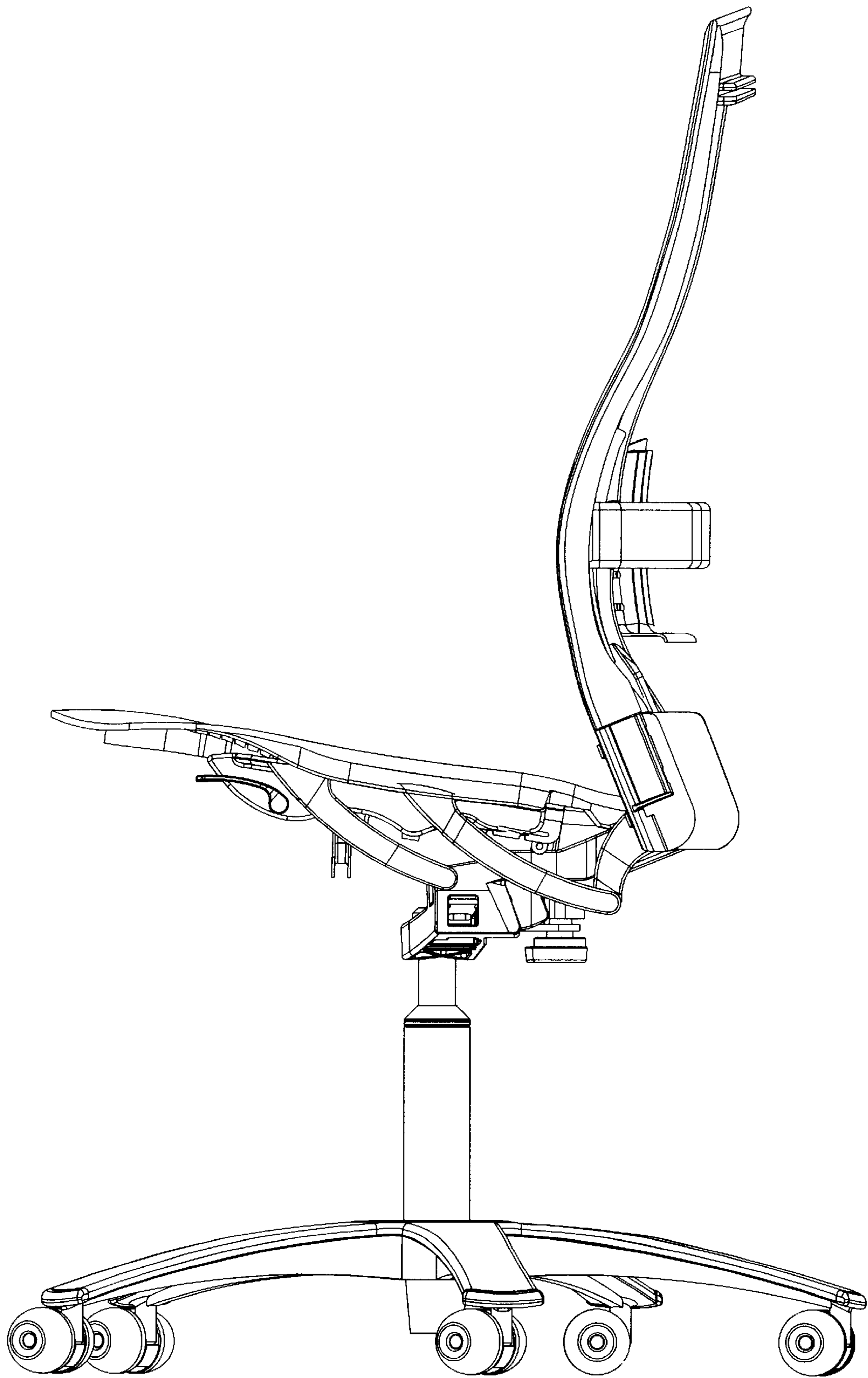


FIG. 4

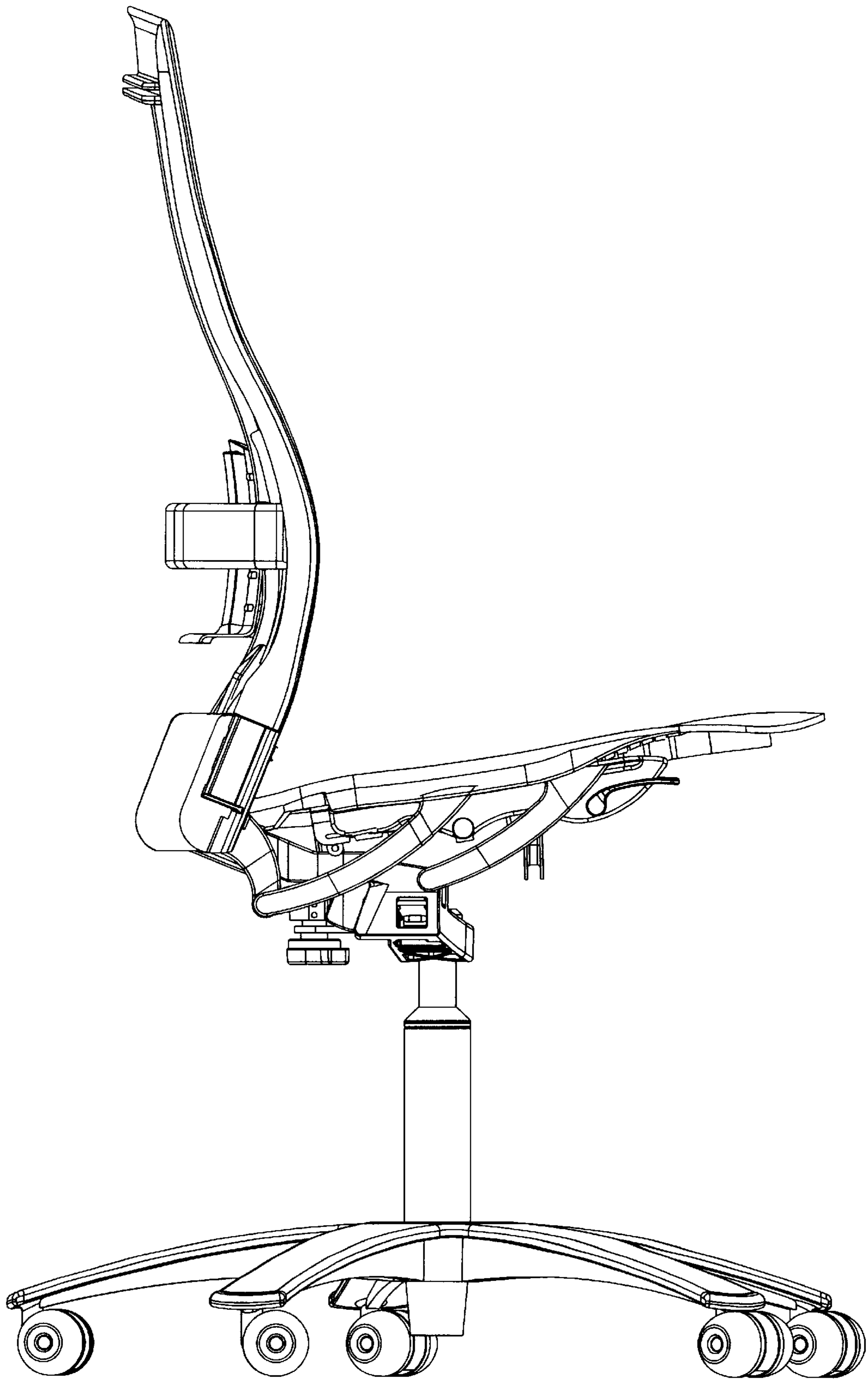


FIG. 5

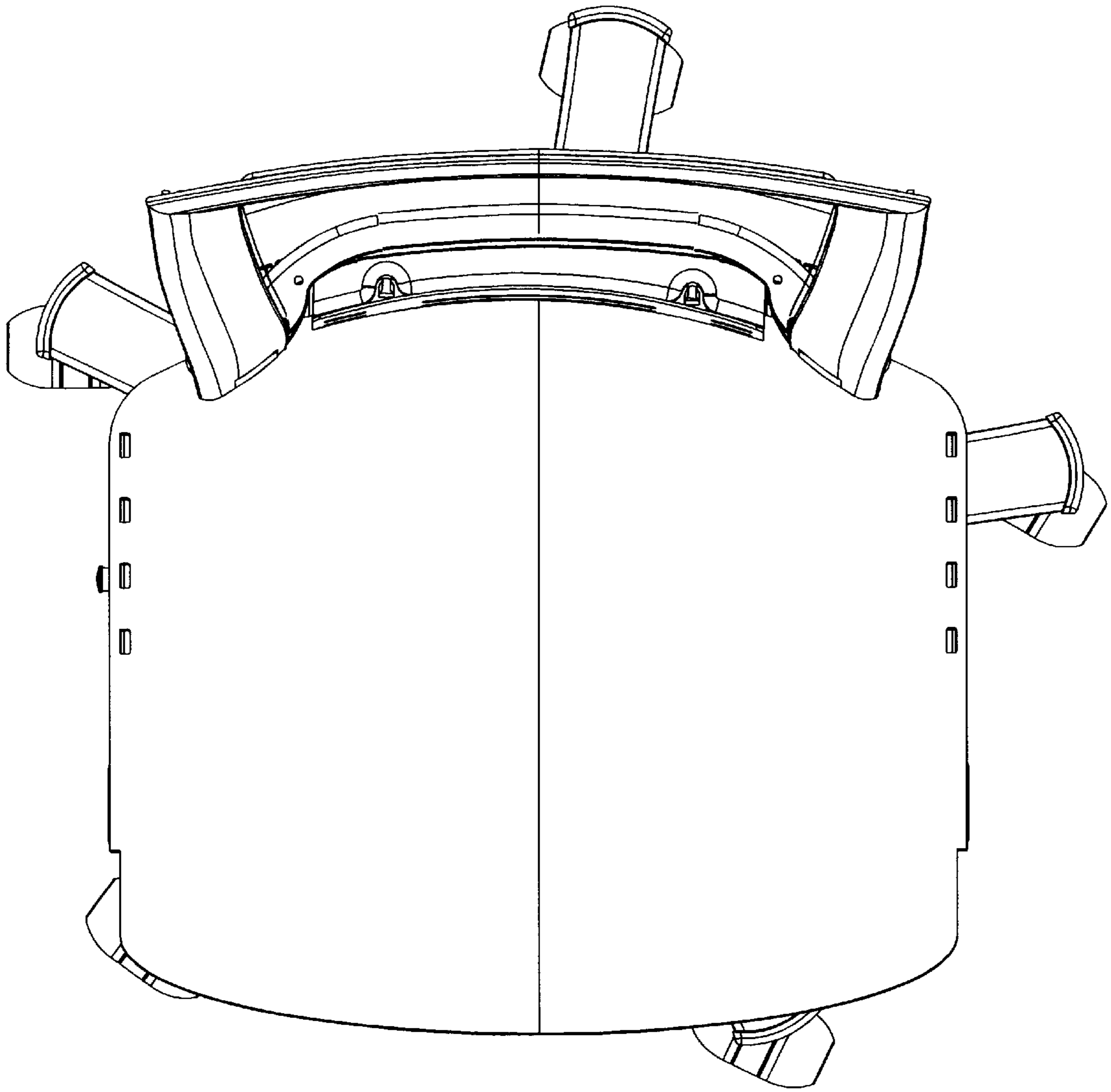


FIG. 6

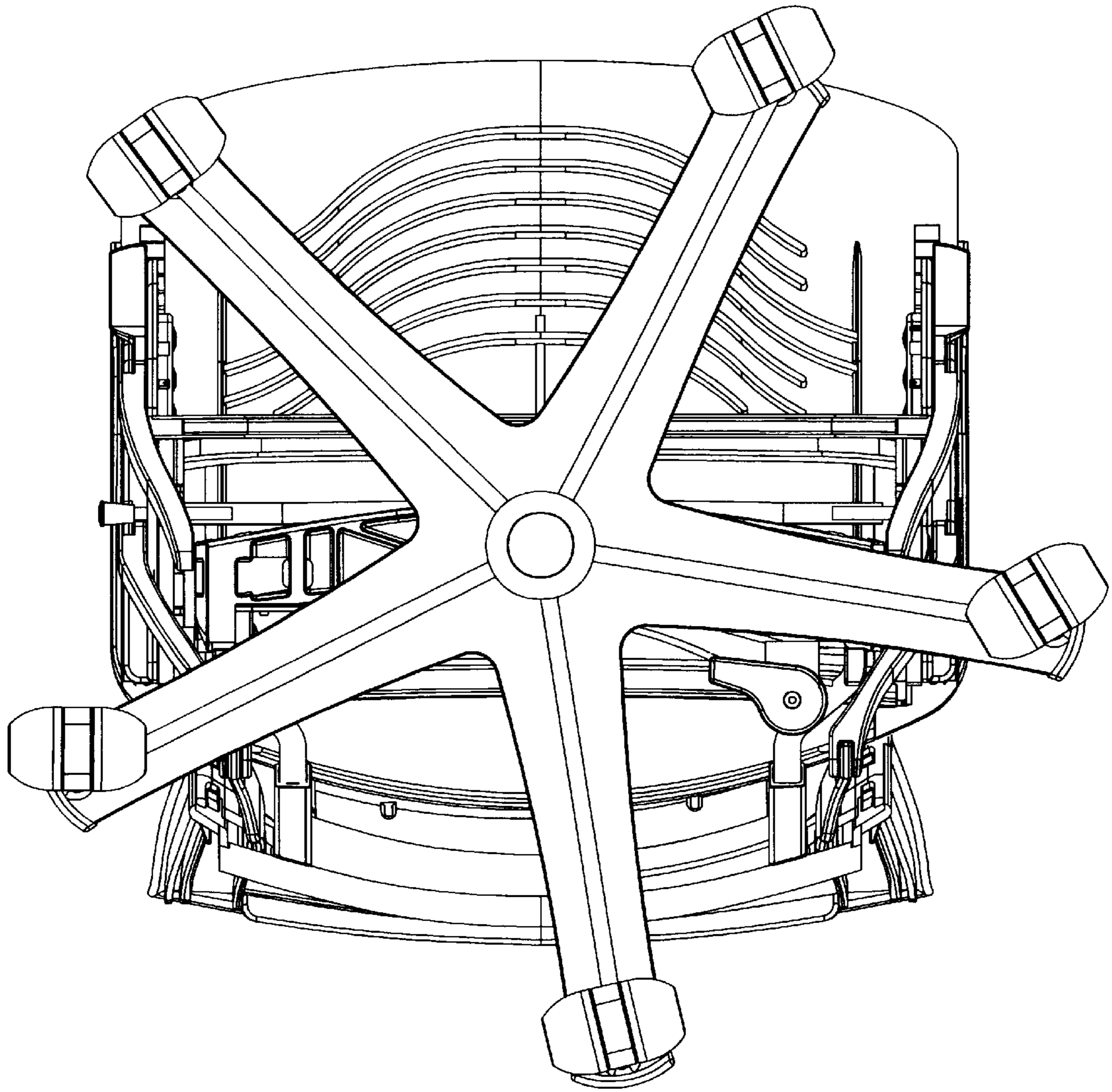


FIG. 7