



US00D446396B1

(12) **United States Design Patent**
Phillips et al.

(10) **Patent No.:** **US D446,396 S**

(45) **Date of Patent:** **** Aug. 14, 2001**

(54) **CHAIR**

(75) Inventors: **Matthew J. Phillips; James M. Groulx**, both of Muscatine, IA (US)

(73) Assignee: **HON Technology Inc.**, Muscatine, IA (US)

(**) Term: **14 Years**

(21) Appl. No.: **29/124,674**

(22) Filed: **Jun. 9, 2000**

(51) **LOC (7) Cl.** **06-01**

(52) **U.S. Cl.** **D6/366**

(58) **Field of Search** D6/334, 335, 364,
D6/365, 366, 367, 500, 501, 502; 297/411.2,
411.28

(56) **References Cited**

U.S. PATENT DOCUMENTS

D. 320,507	*	10/1991	Shields	D6/366
D. 321,993	*	12/1991	Zagaroli et al.	D6/366
D. 373,695	*	9/1996	Buffon	D6/500
D. 382,149	*	8/1997	Pimental et al.	D6/500

D. 409,022	*	5/1999	Vanderwood et al.	D6/500
D. 427,793	*	7/2000	Groulx et al.	D6/366
D. 436,768	*	1/2001	Jenkins et al.	D6/500
D. 437,130	*	2/2001	Tseng	D6/366
D. 437,499	*	2/2001	Tseng	D6/366
D. 437,703	*	2/2001	Deacon	D6/366

* cited by examiner

Primary Examiner—Gary D. Watson

(74) *Attorney, Agent, or Firm*—Jones, Day, Reavis & Pogue

(57) **CLAIM**

The ornamental design for a chair, as shown.

DESCRIPTION

FIG. 1 is a right front perspective view of a chair showing our new design;

FIG. 2 is a left side view thereof;

FIG. 3 is a right side view thereof;

FIG. 4 is a front view thereof;

FIG. 5 is a top perspective view thereof; and,

FIG. 6 is a rear perspective view thereof.

1 Claim, 6 Drawing Sheets

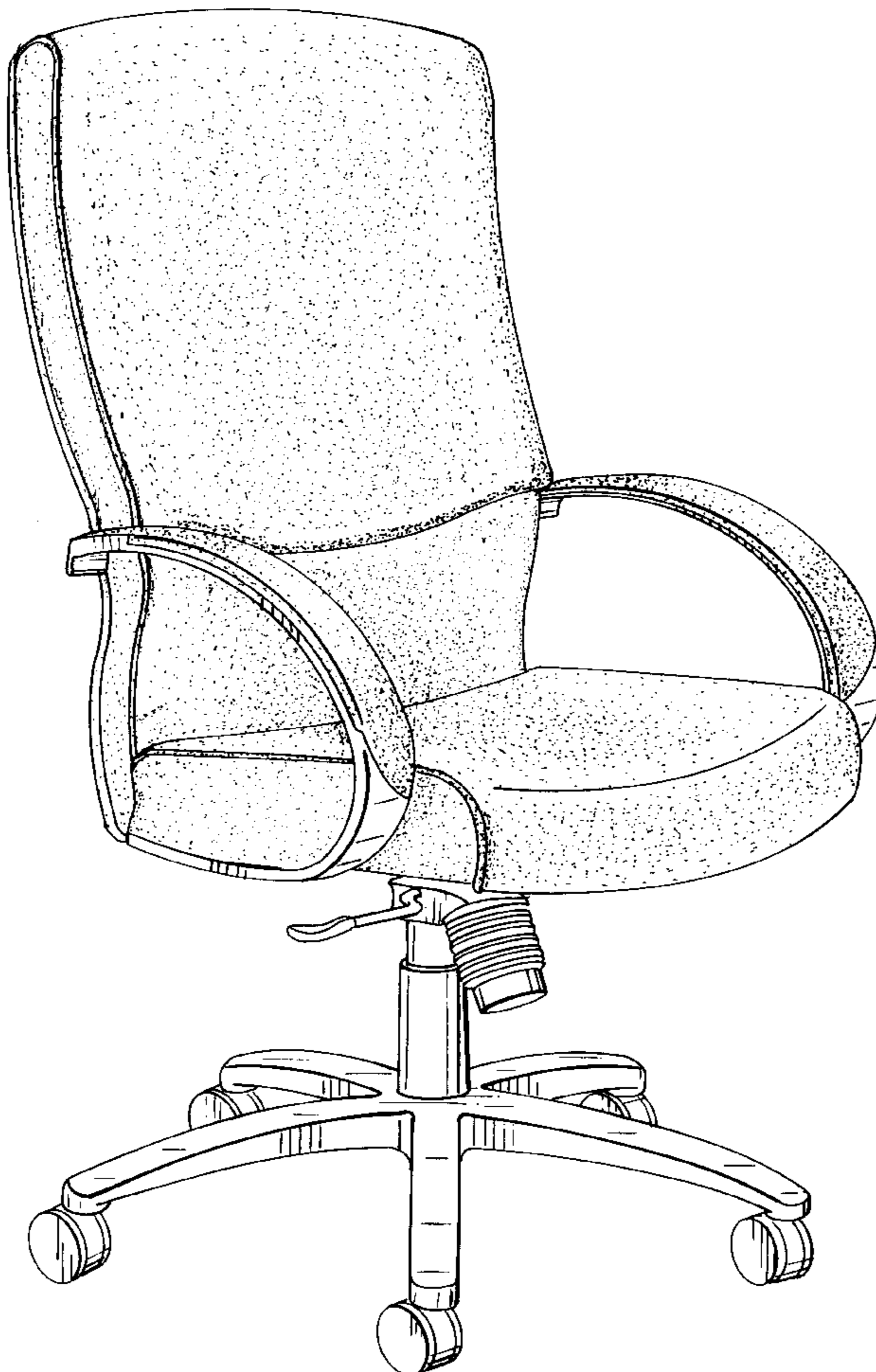


FIG. 1

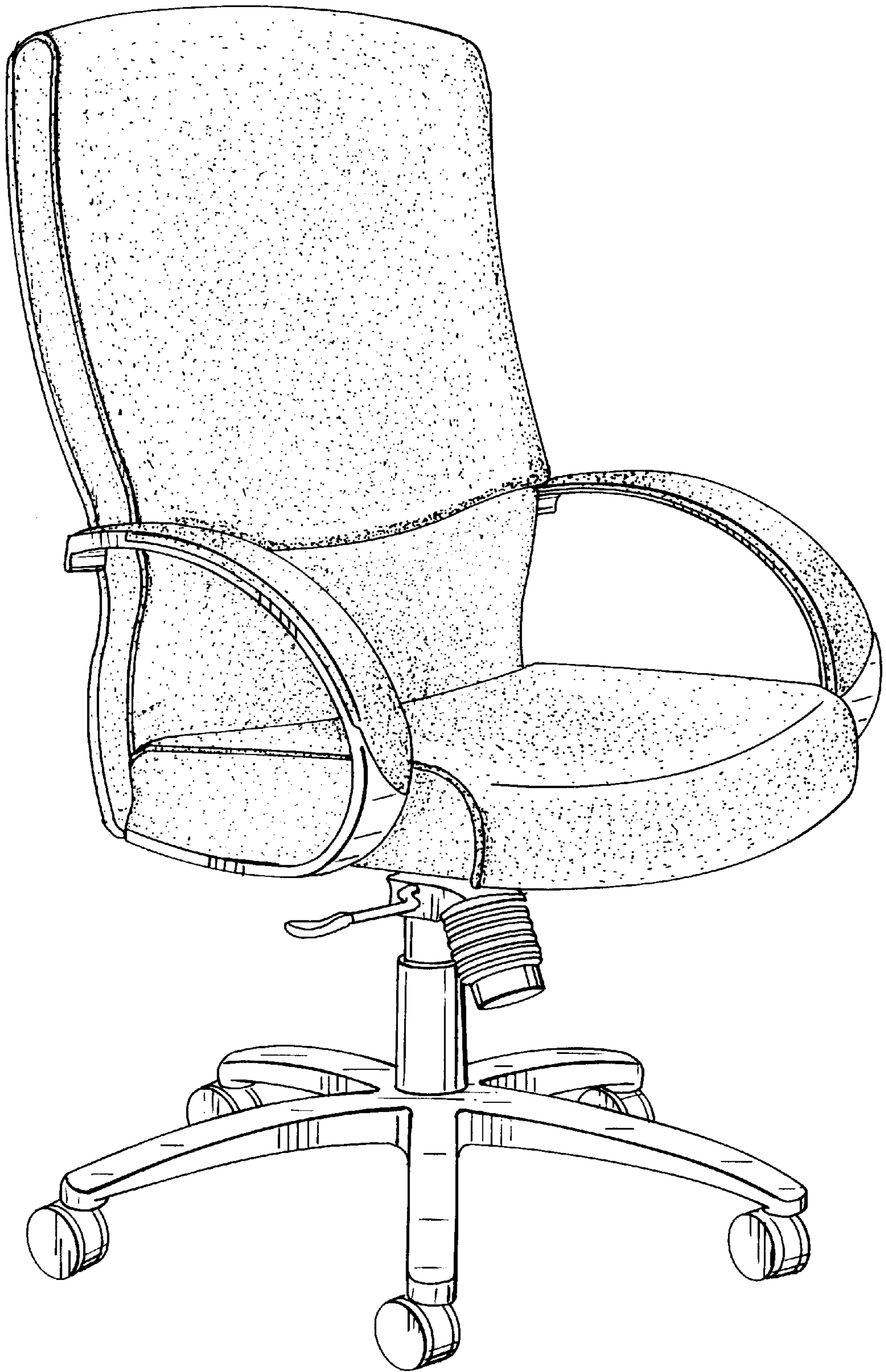


FIG. 2

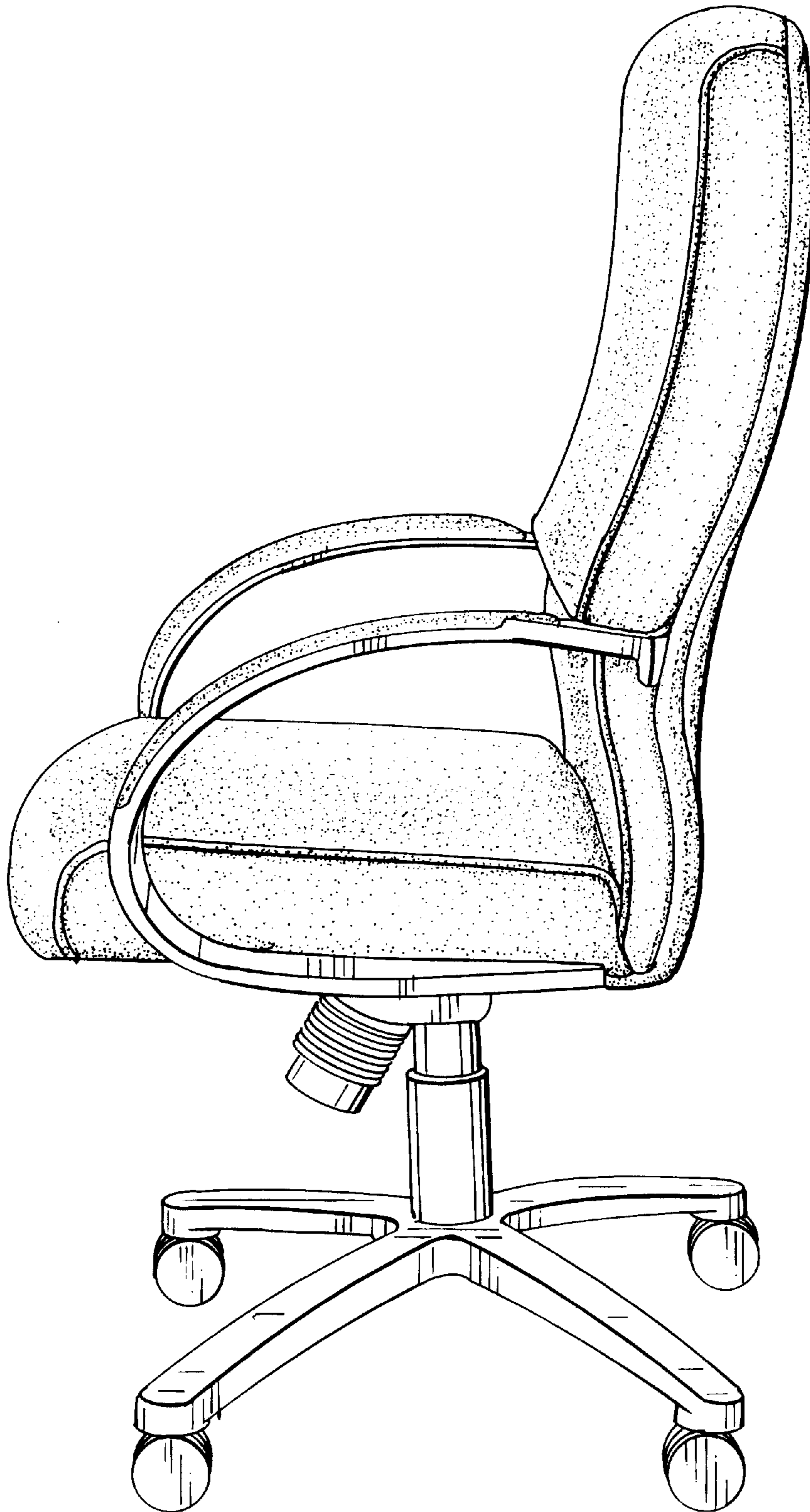


FIG. 3



FIG. 4

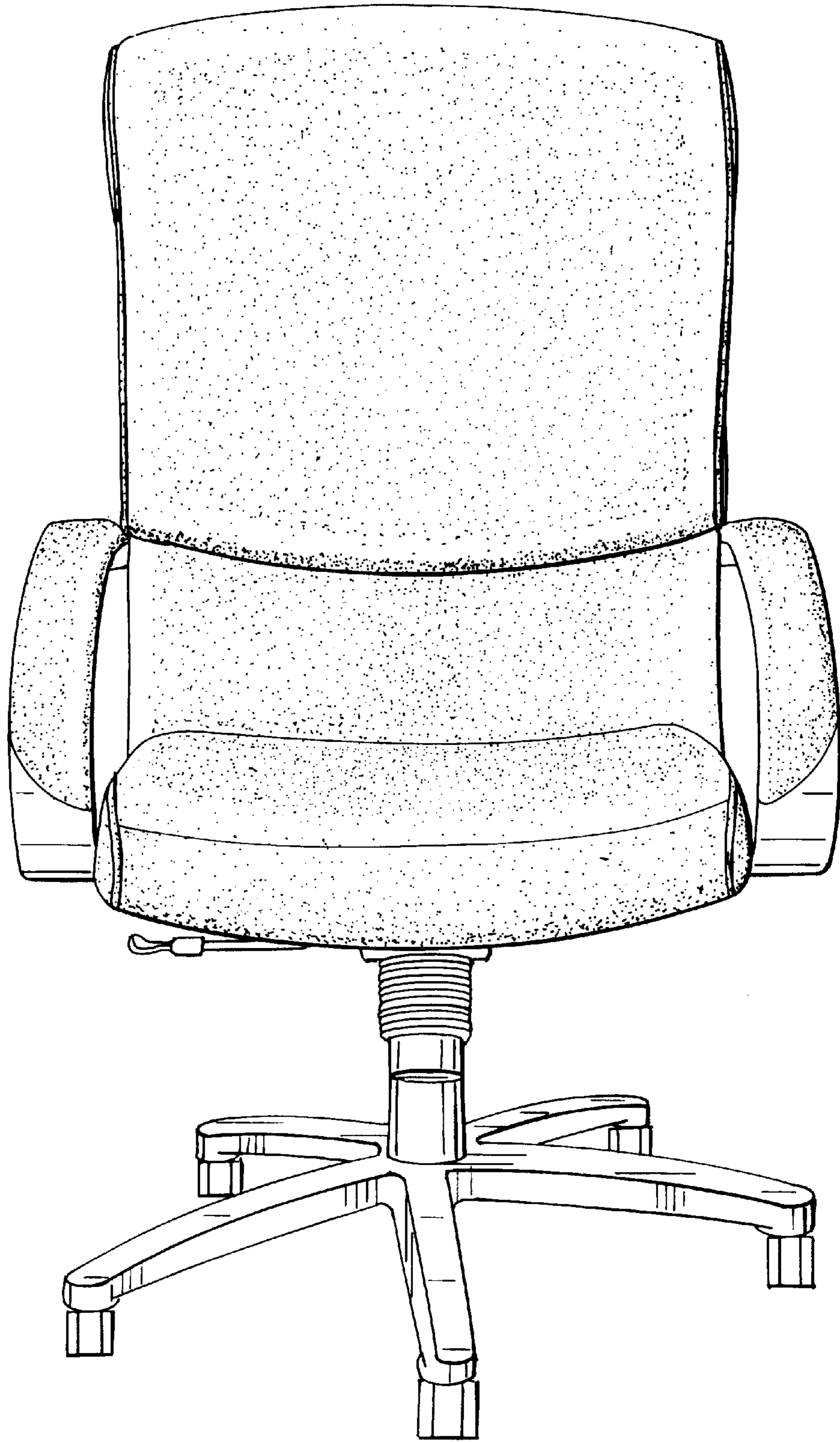


FIG. 5

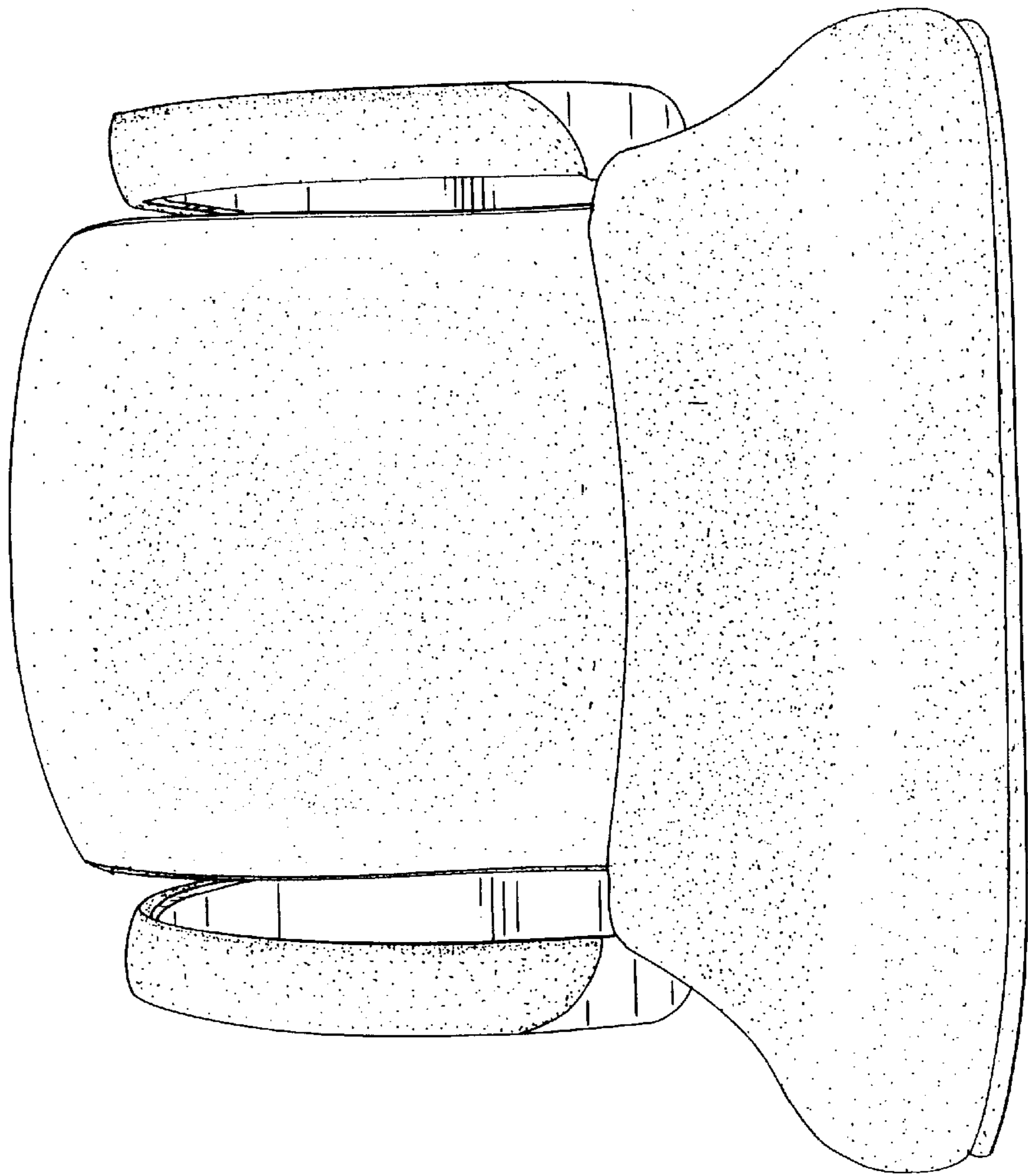


FIG. 6

