



US00D446395B1

(12) **United States Design Patent**
Hutton

(10) **Patent No.:** **US D446,395 S**

(45) **Date of Patent:** **** *Aug. 14, 2001**

(54) **CHAIR**

(75) Inventor: **John Hutton**, West Islip, NY (US)

(73) Assignee: **Donghia Furniture/Textiles Ltd.**, New York, NY (US)

(*) Notice: This patent is subject to a terminal disclaimer.

(**) Term: **14 Years**

(21) Appl. No.: **29/114,692**

(22) Filed: **Nov. 29, 1999**

(51) **LOC (7) Cl.** **06-01**

(52) **U.S. Cl.** **D6/334**

(58) **Field of Search** D6/334, 335, 336,
D6/364, 371, 381, 500, 501, 502; 5/12.1;
297/232, 445.1

(56) **References Cited**

U.S. PATENT DOCUMENTS

D. 227,210 * 6/1973 Winrow D6/334

D. 257,454 * 10/1980 Nash D6/364
D. 337,450 * 7/1993 Dettinger D6/381
D. 337,692 * 7/1993 Natuzzi et al. D6/381
D. 367,365 * 2/1996 Hutton D6/334
D. 383,010 * 9/1997 Mourgue D6/381
D. 423,244 * 4/2000 Hutton D6/381

* cited by examiner

Primary Examiner—Gary D. Watson

(74) *Attorney, Agent, or Firm*—Heslin & Rothenberg, P.C.

(57) **CLAIM**

The ornamental design for a chair, as shown and described.

DESCRIPTION

FIG. 1 is a front elevational view of the chair comprising my new design;

FIG. 2 is a right side elevational view thereof, the opposite side elevational view being a mirror image thereof; and, FIG. 3 is a top plan view thereof.

The broken line shown in the drawings are for illustrative purposes and form no part of the claimed design.

1 Claim, 1 Drawing Sheet

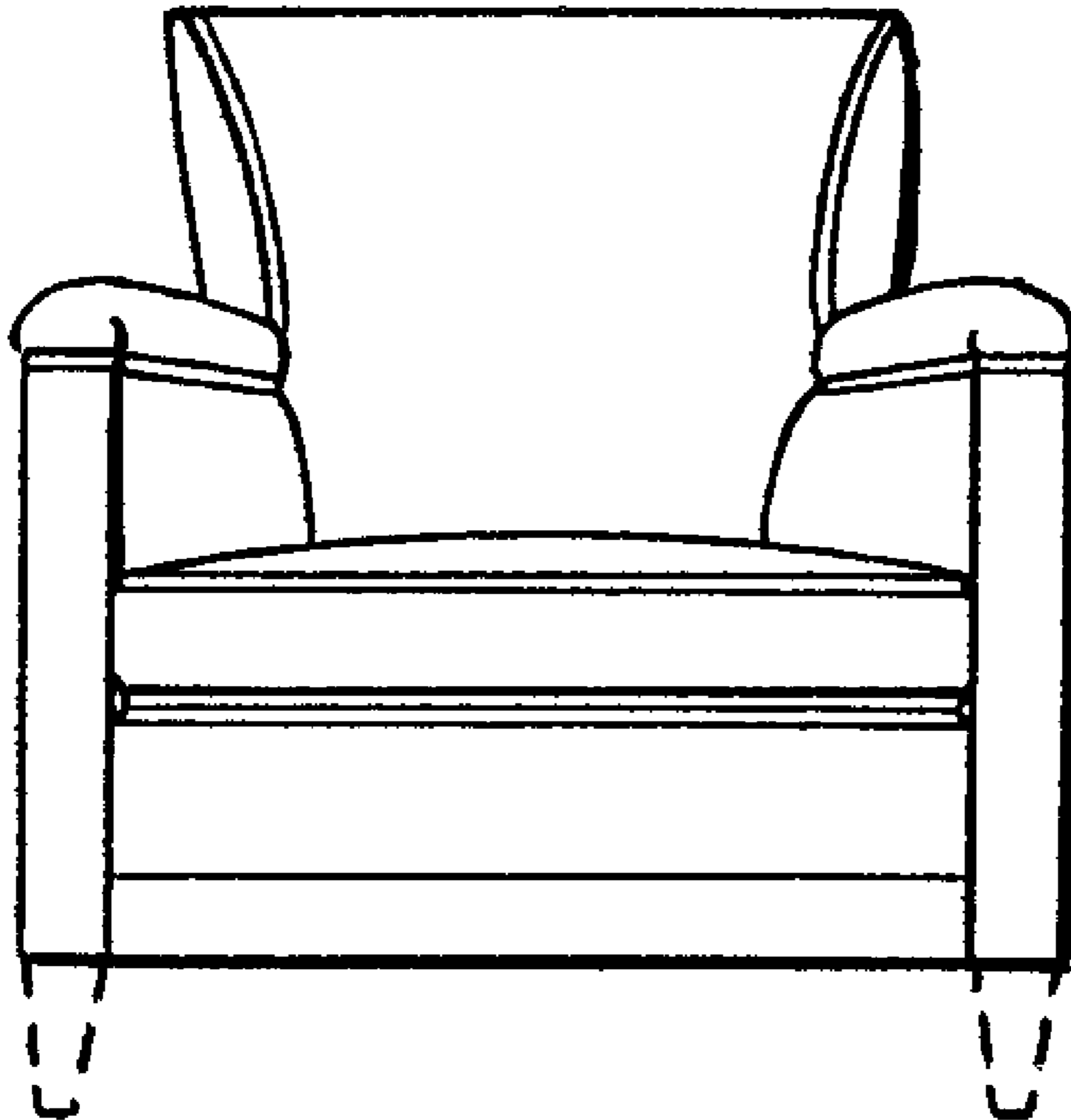


FIG. 3

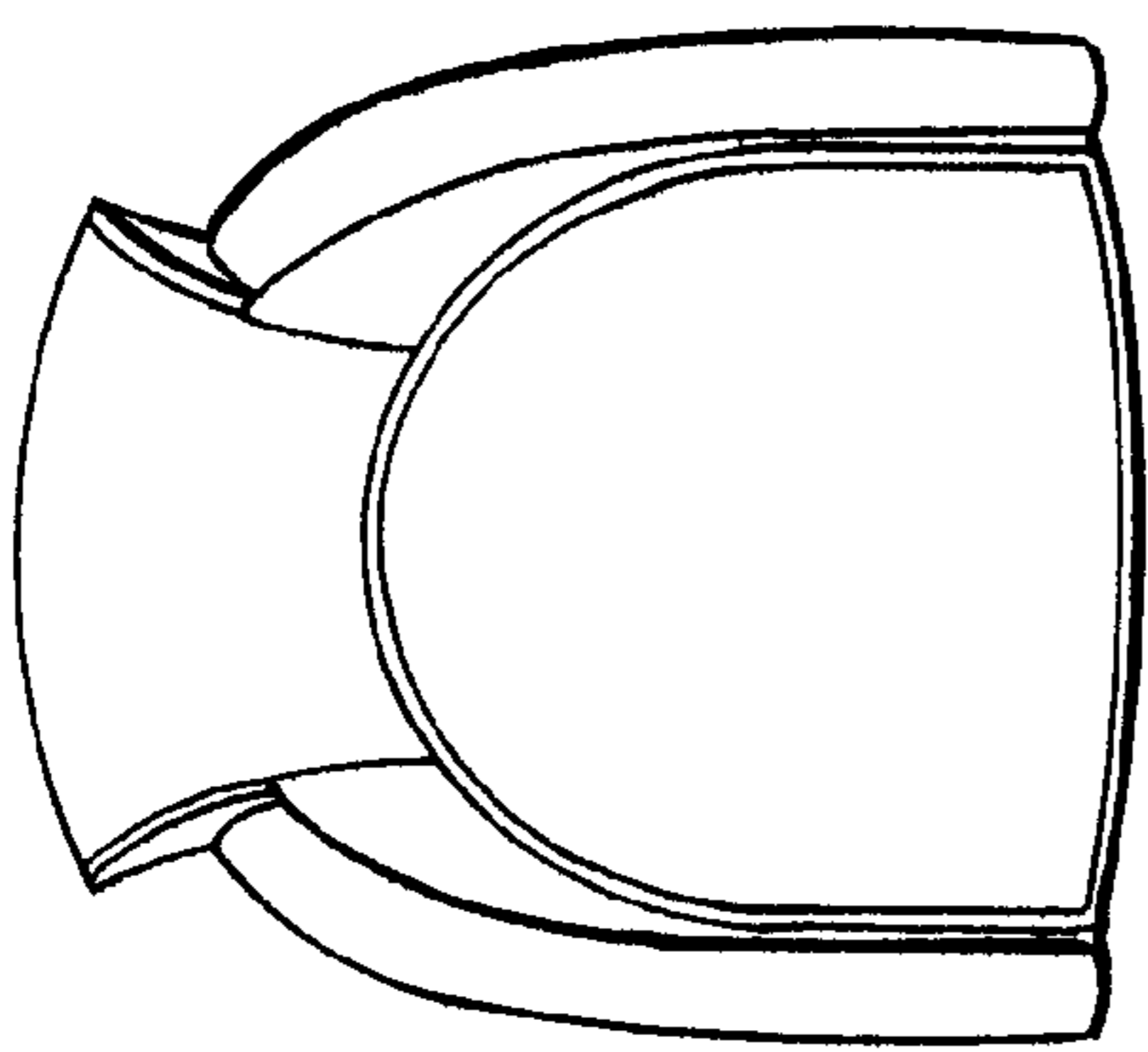


FIG. 1

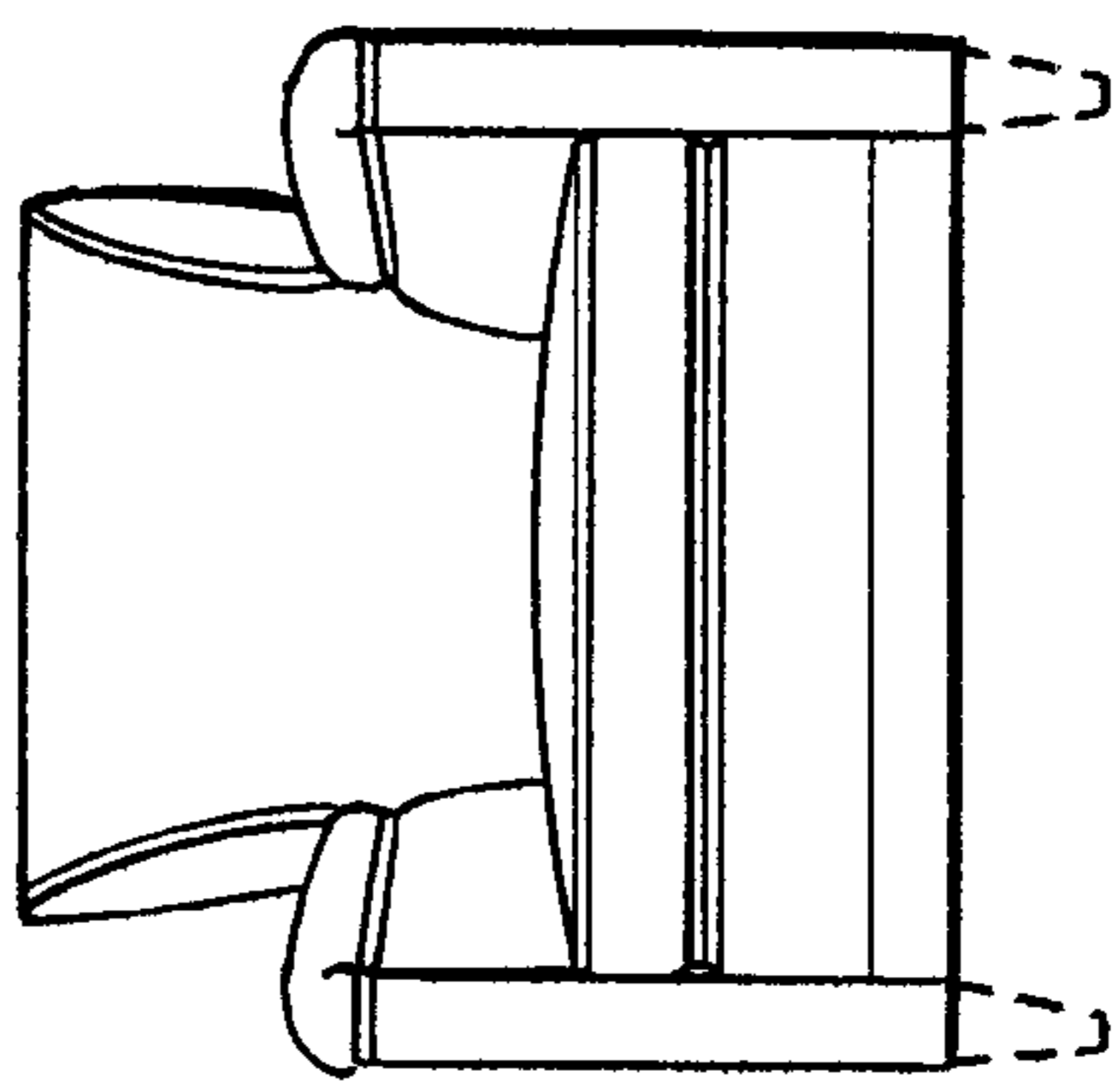


FIG. 2

