



US00D446391B1

(12) **United States Design Patent**
Sterling et al.

(10) **Patent No.:** **US D446,391 S**

(45) **Date of Patent:** **** Aug. 14, 2001**

(54) **STORAGE TRAY**

(75) Inventors: **John R. Sterling**, Woodstock, IL (US);
Richard G. Kluge, Lake Geneva, WI (US)

(73) Assignee: **John Sterling Corporation**, Richmond, IL (US)

(**) Term: **14 Years**

(21) Appl. No.: **29/118,714**

(22) Filed: **Feb. 14, 2000**

(51) **LOC (7) Cl.** **03-03**

(52) **U.S. Cl.** **D3/304; D6/567**

(58) **Field of Search** D6/566, 567; D8/367, D8/370; 211/86.01, 88.01, 126.1; 248/200, 205.1, 220.21, 220.31, 220.41, 302, 304, 309.1, 309.2; D3/304

(56) **References Cited**

U.S. PATENT DOCUMENTS

- D. 274,012 * 5/1984 Williams D3/304
- D. 301,927 * 6/1989 Williams D3/304
- D. 309,970 * 8/1990 Embree et al. D3/304
- D. 311,800 * 10/1990 Kiiski D3/304
- D. 373,039 * 8/1996 Cohen et al. D6/566

OTHER PUBLICATIONS

Advertising Slick: Heavy Duty Wall Organizer Value Pack, Model RP-0024, 2 pages, Form No. RP24-SI, John Sterling Corporation, Copyright 1991.

Advertising Slick: Home Storage & Organization, John Sterling Corporation, 1 page, Form No. ORGI-SL, Copyright 1997.

* cited by examiner

Primary Examiner—Brian N. Vinson

(74) *Attorney, Agent, or Firm*—Rockey, Milnamow & Katz, Ltd.

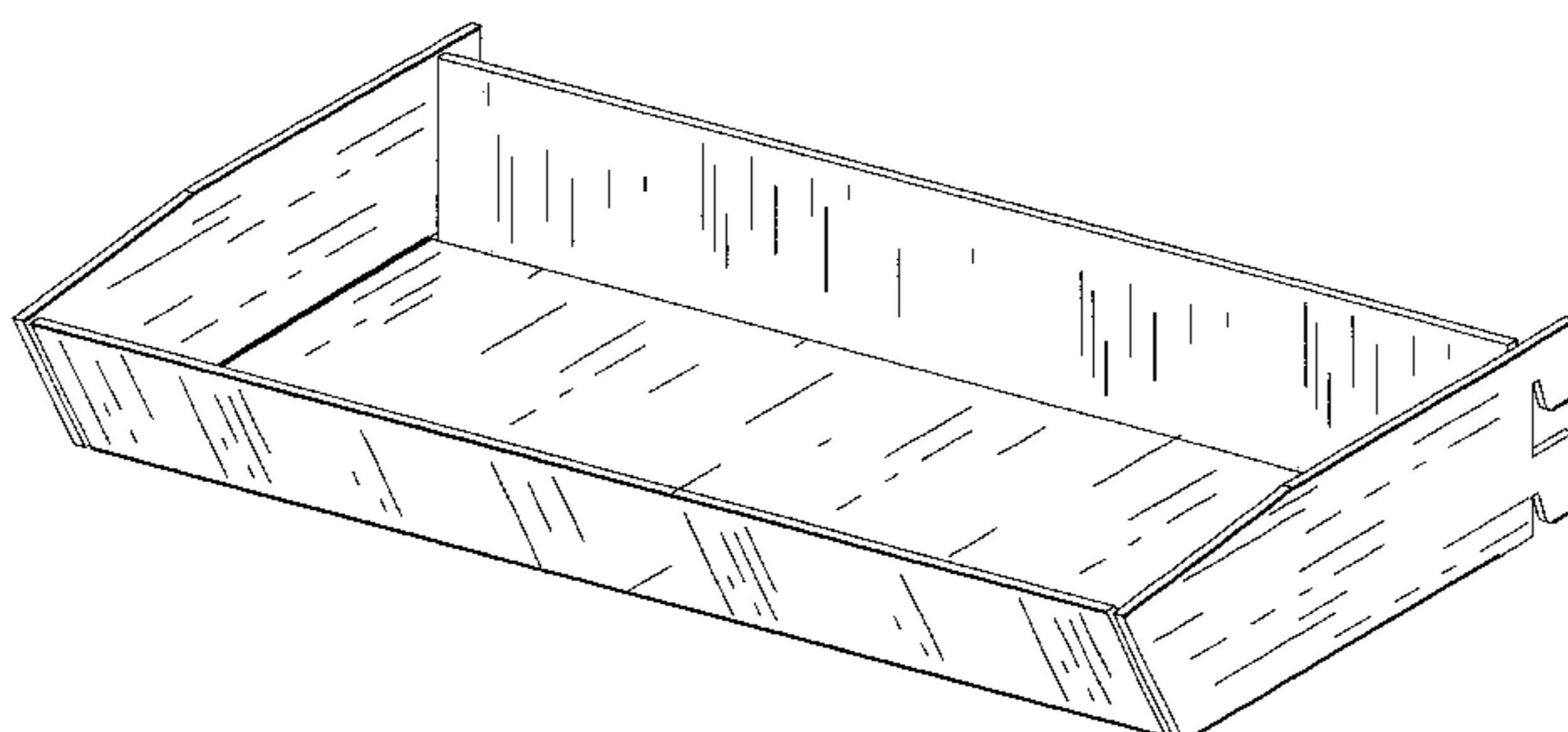
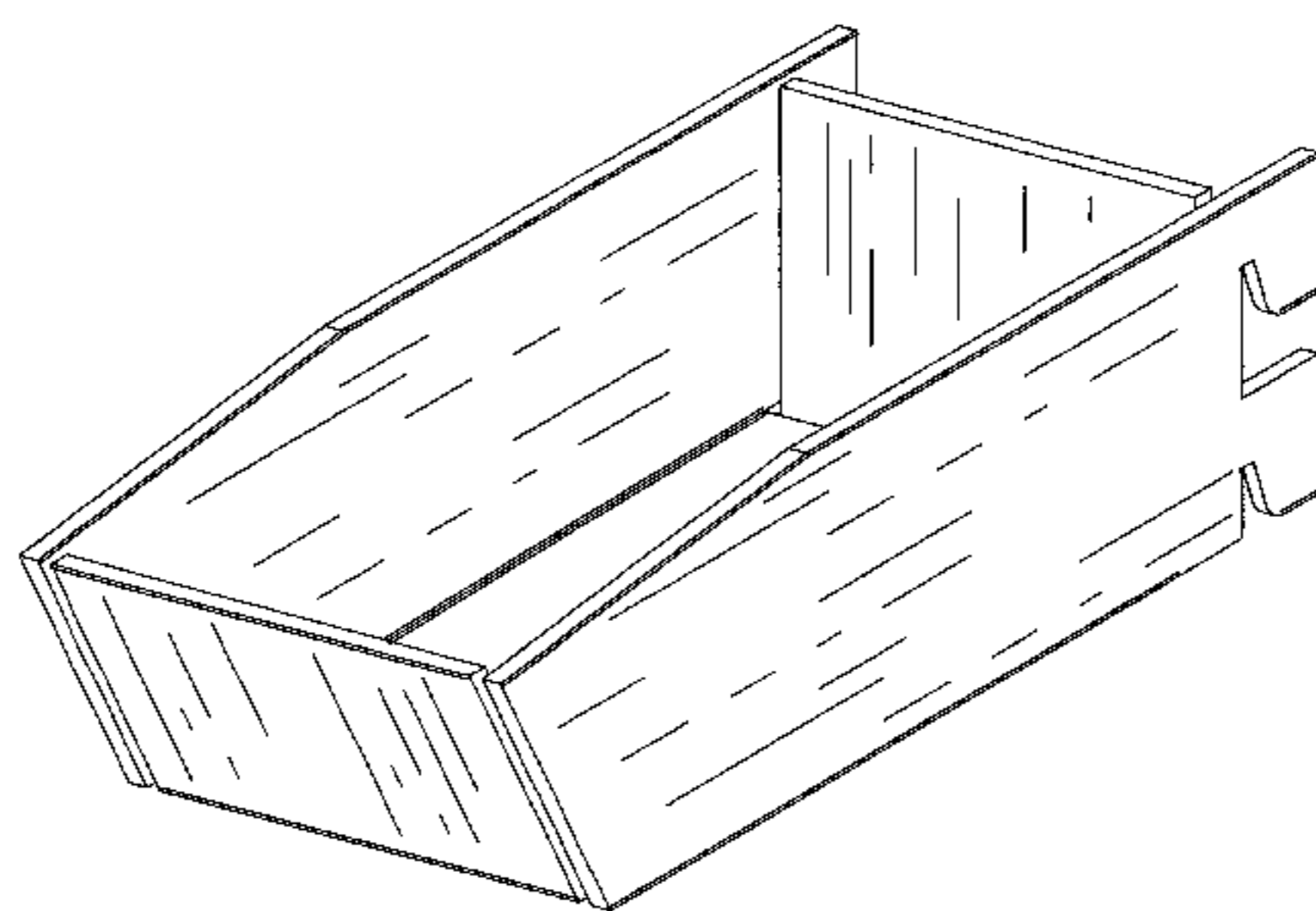
(57) **CLAIM**

The ornamental design for a storage tray, as shown and described.

DESCRIPTION

FIG. 1 is a top, front, and right side perspective view of a storage tray showing a first embodiment of my new design; FIG. 2 is a reduced left side elevational view thereof; FIG. 3 is a reduced top plan view thereof; FIG. 4 is a reduced bottom plan view thereof; FIG. 5 is a reduced front elevational view thereof; FIG. 6 is a top, front, and right side perspective view of a storage tray showing a second embodiment of my new design; FIG. 7 is a reduced left side elevational view thereof; FIG. 8 is a reduced top plan view thereof; FIG. 9 is a reduced bottom plan view thereof; and, FIG. 10 is a reduced front elevational view thereof.

1 Claim, 5 Drawing Sheets



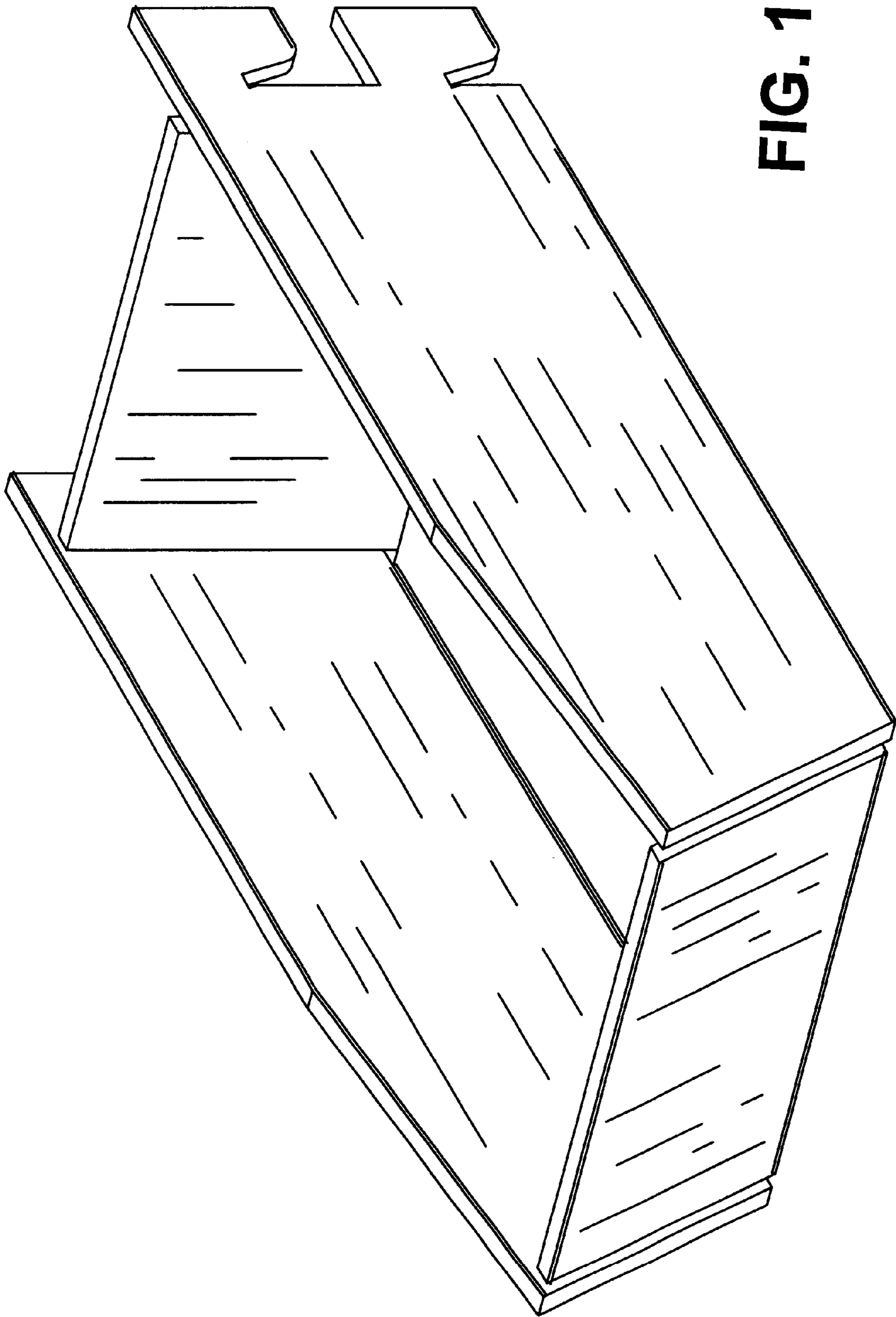


FIG. 1

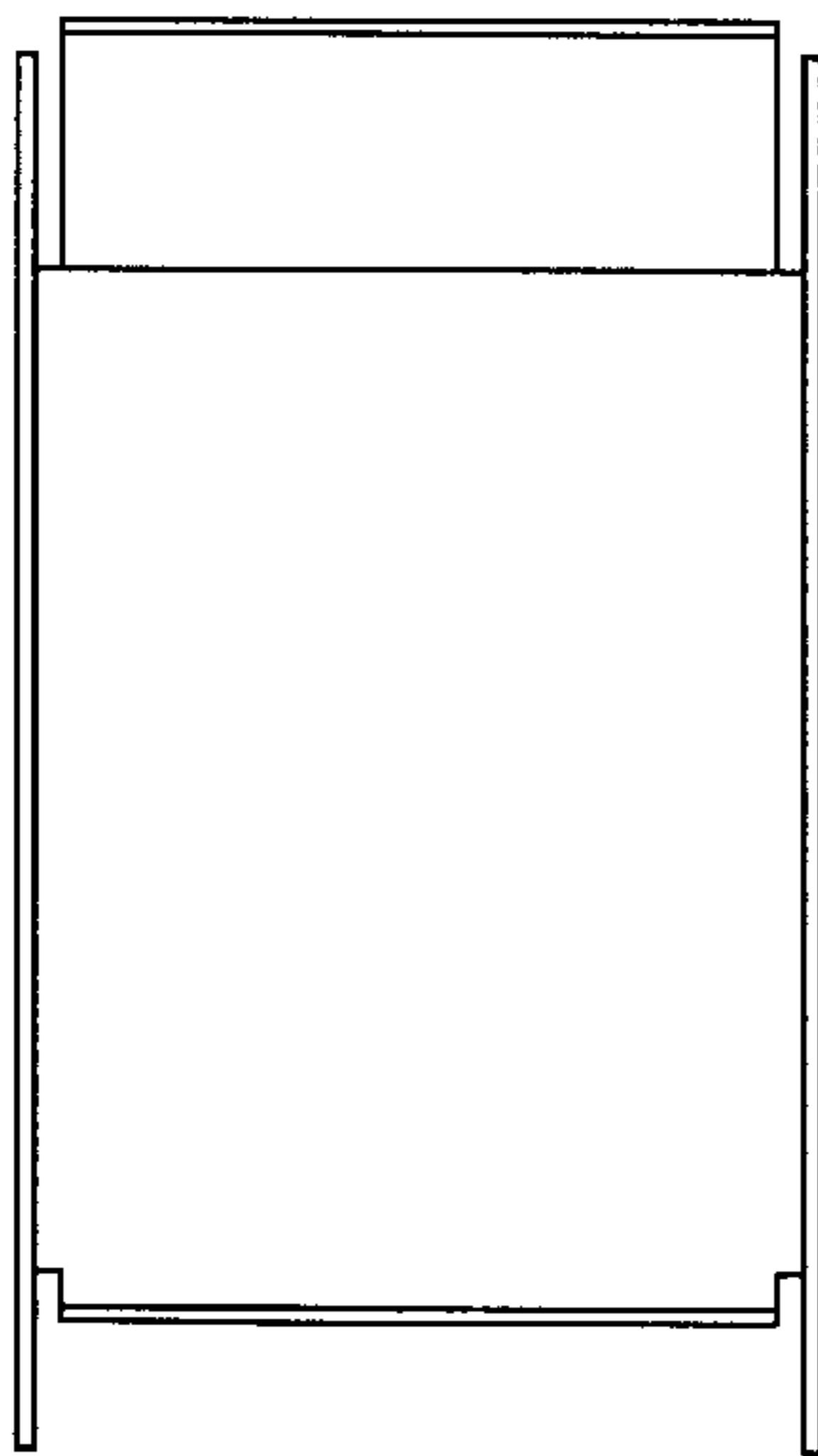


FIG. 3

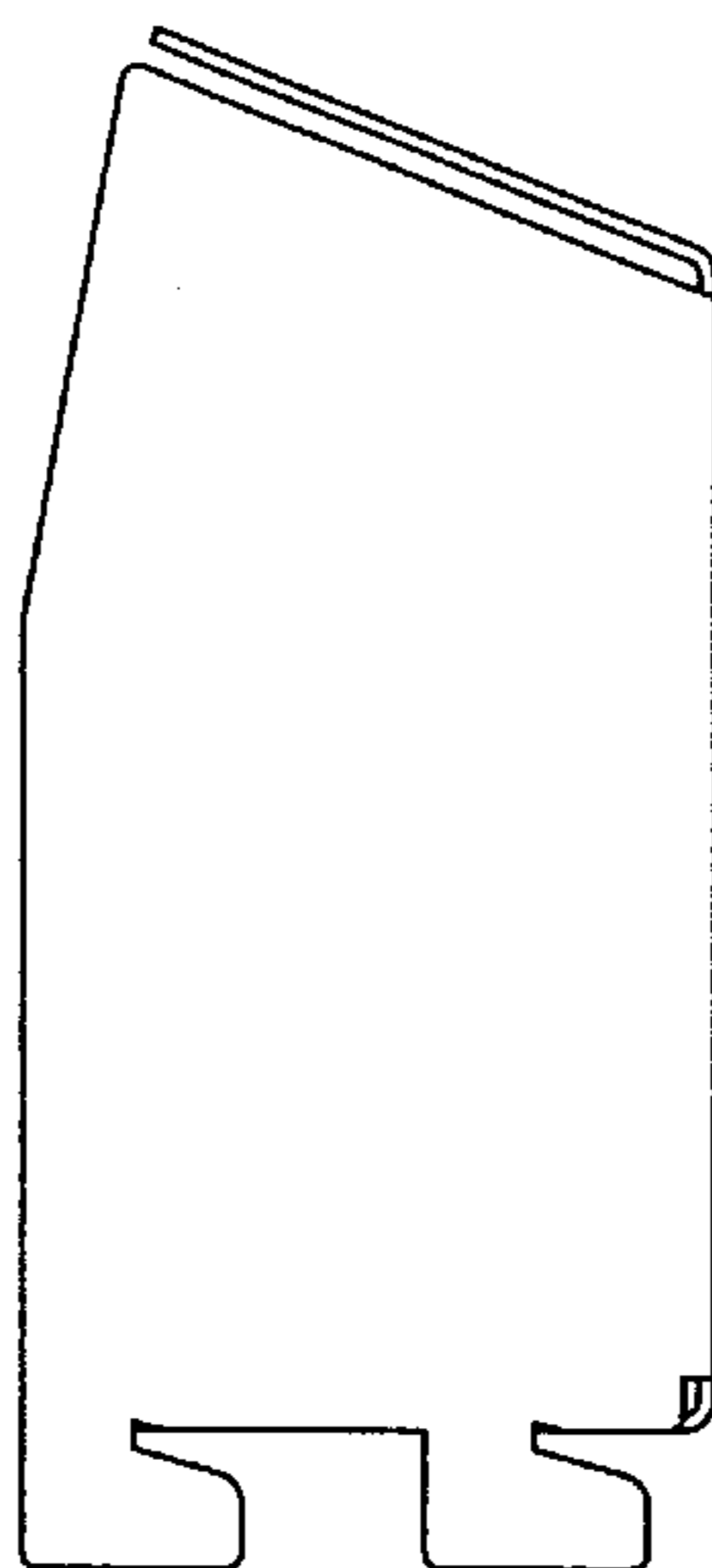


FIG. 2

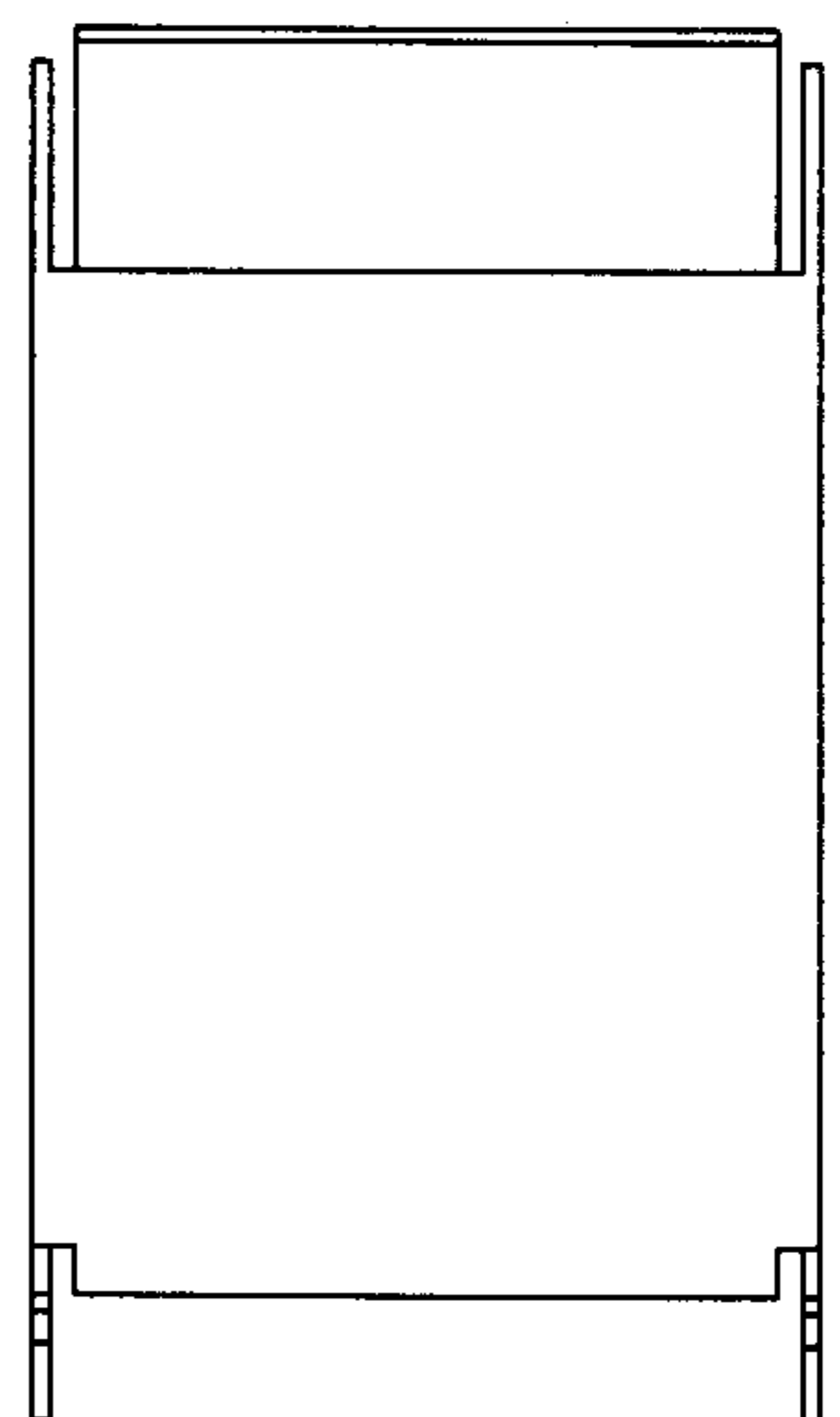


FIG. 4

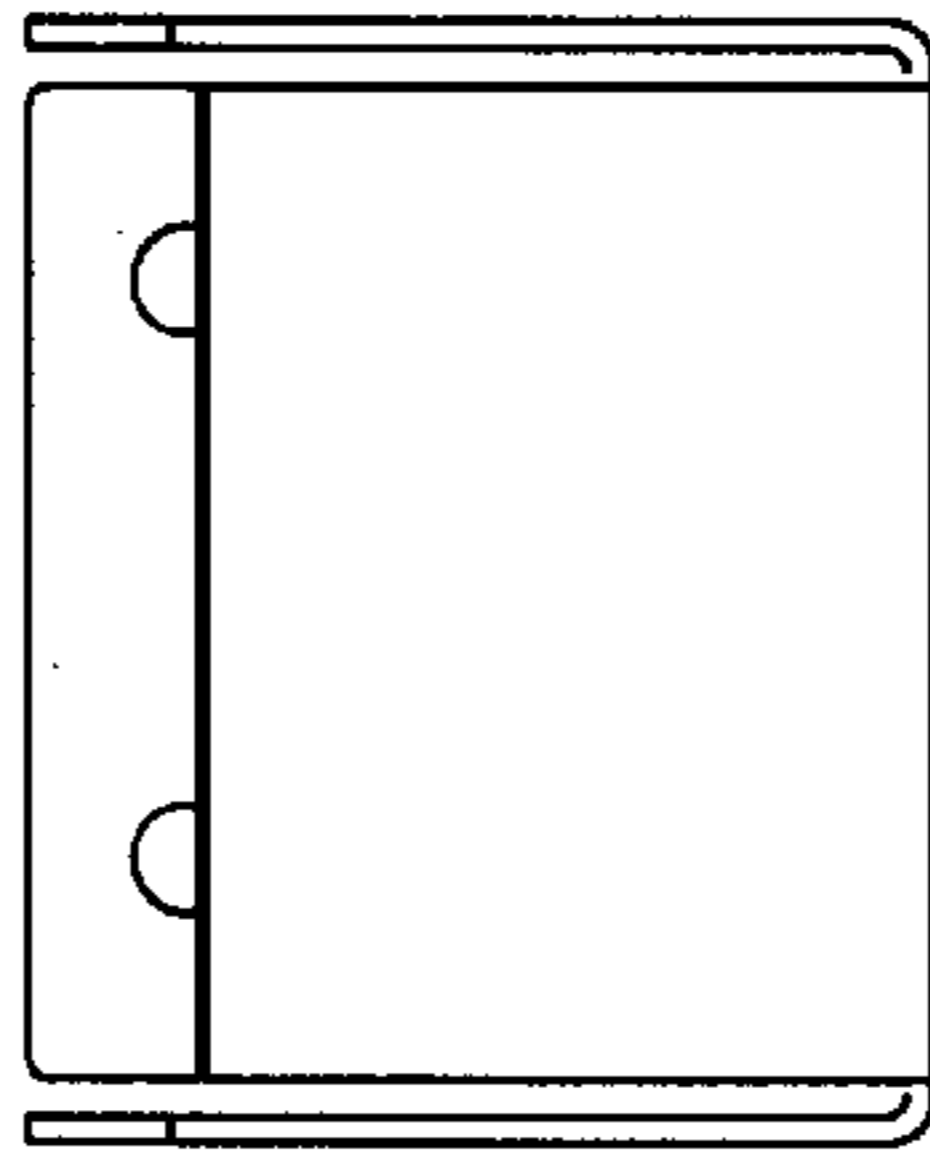


FIG. 5

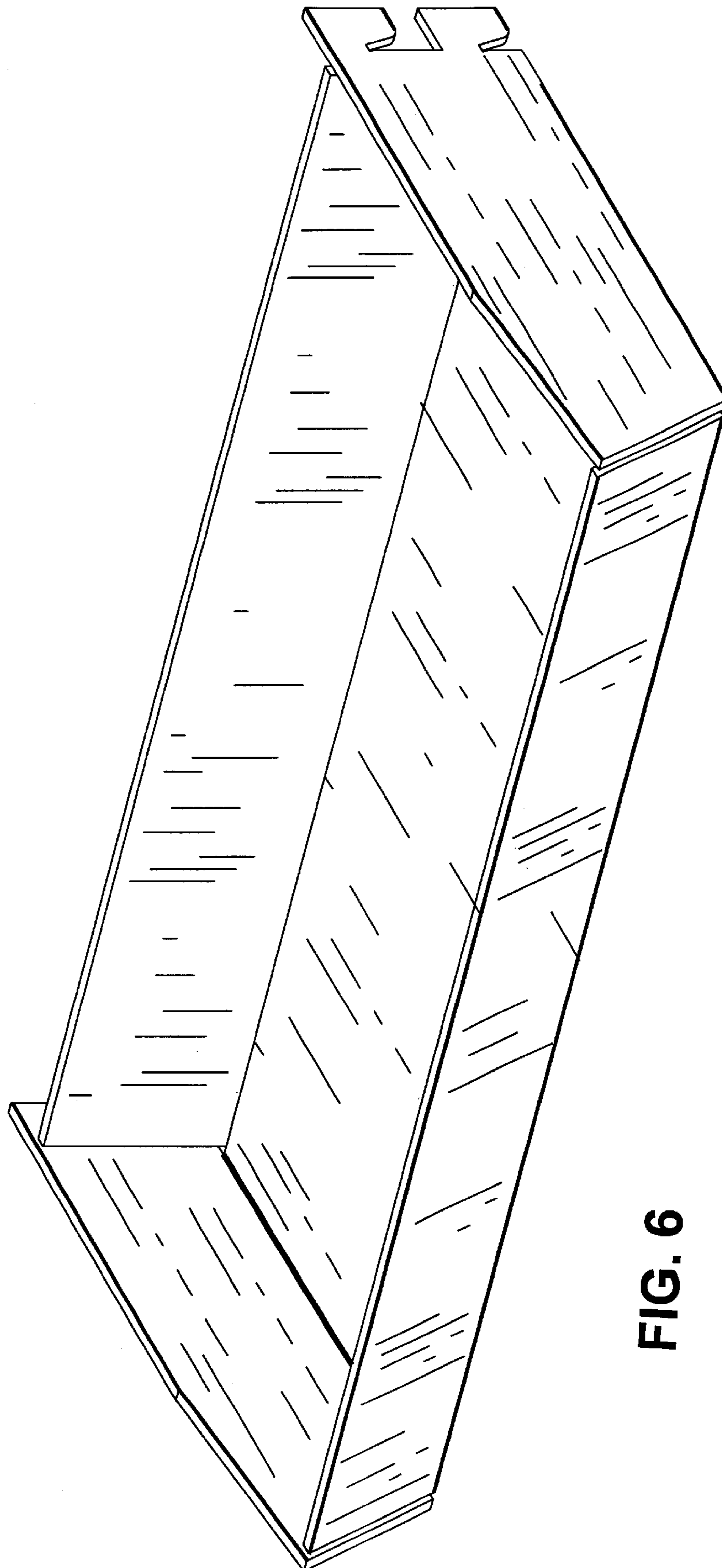


FIG. 6

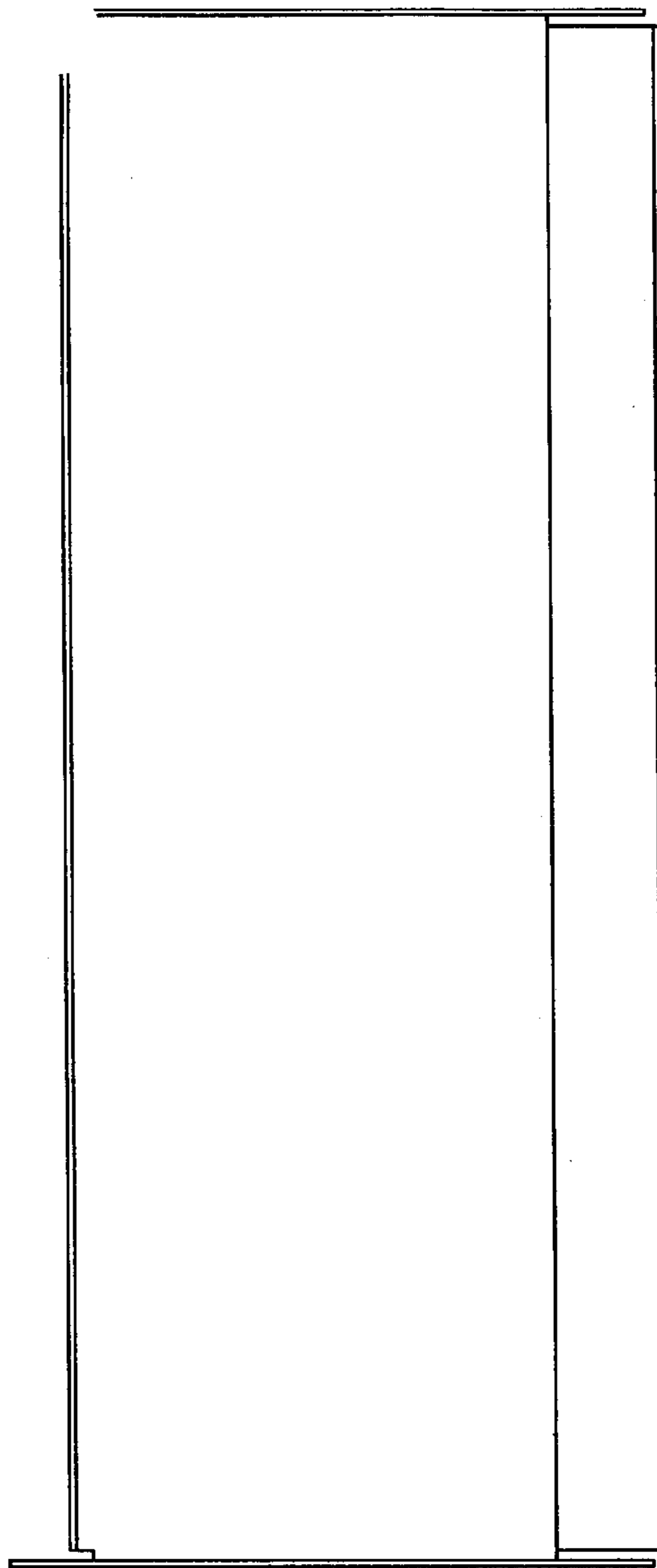


FIG. 8

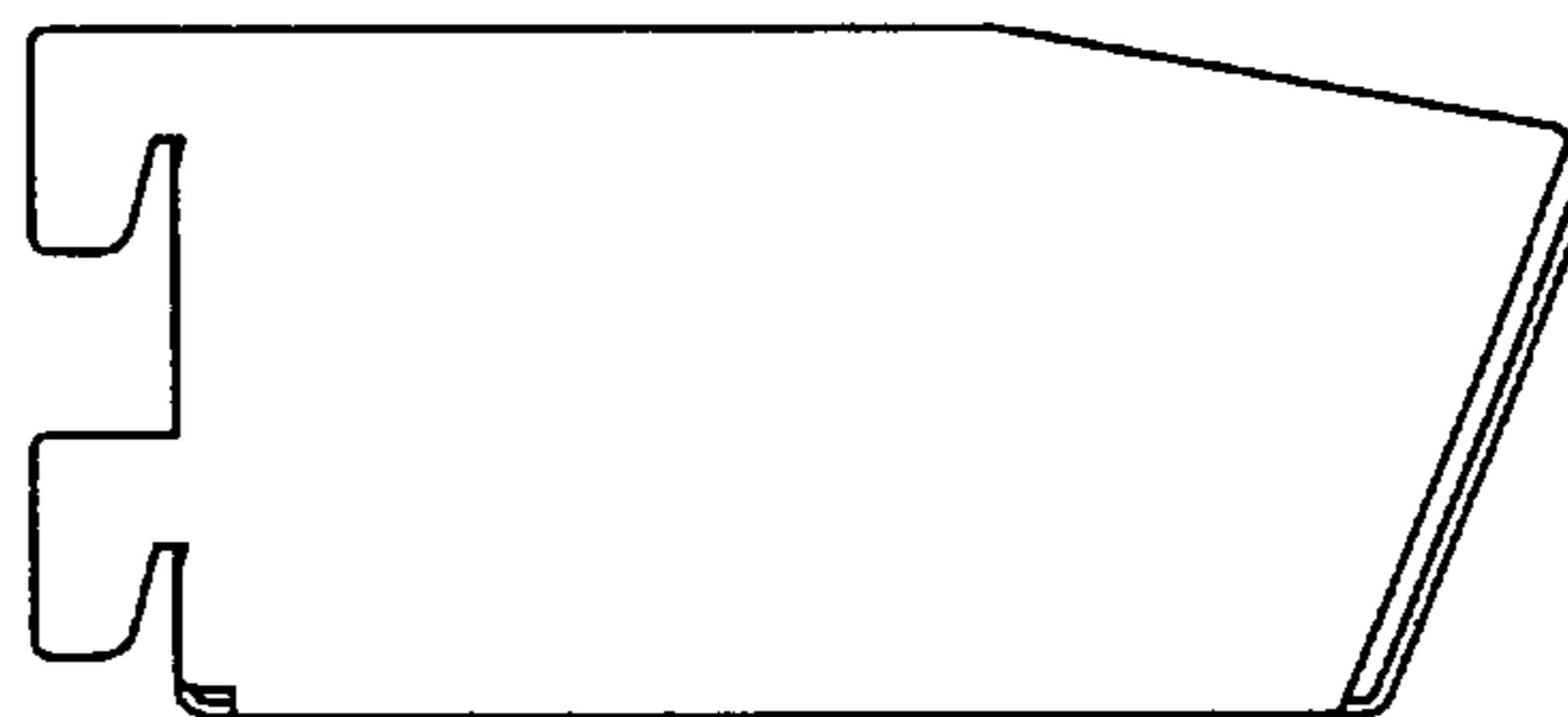


FIG. 7

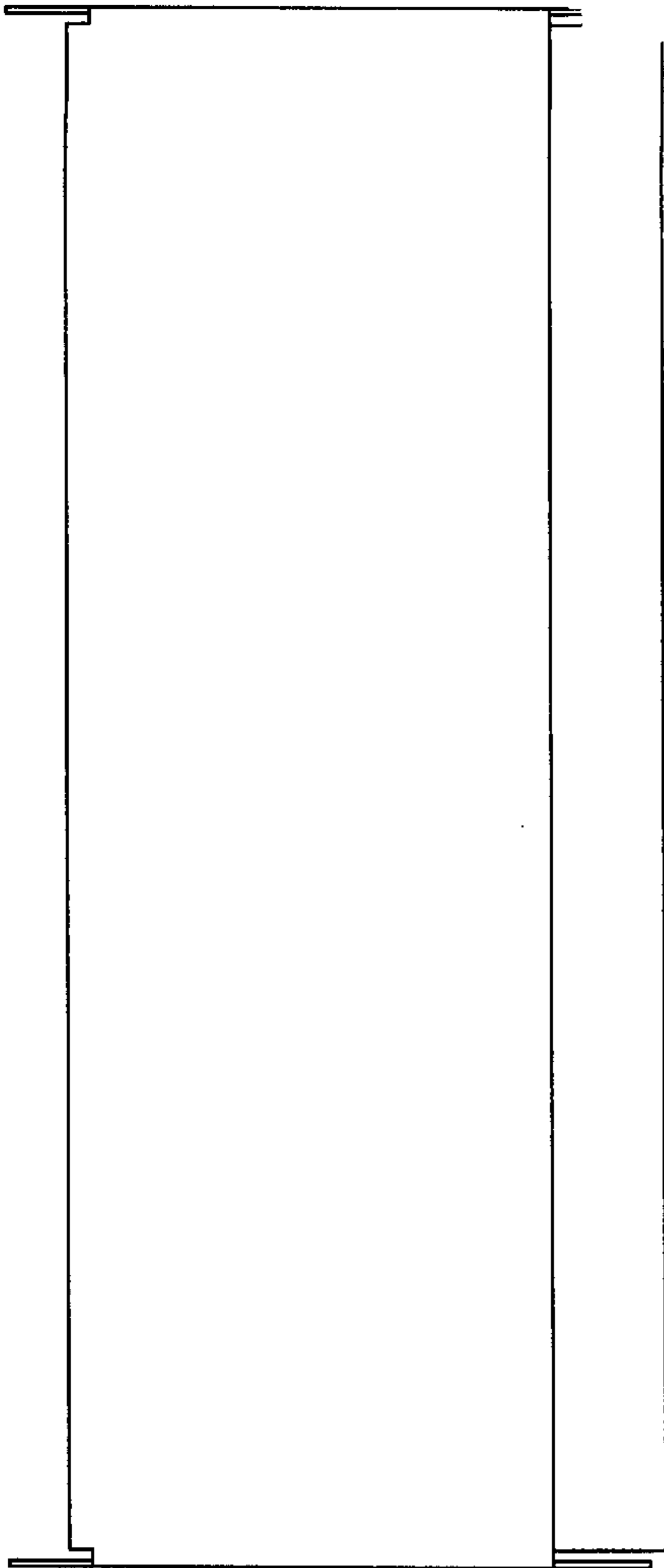


FIG. 9

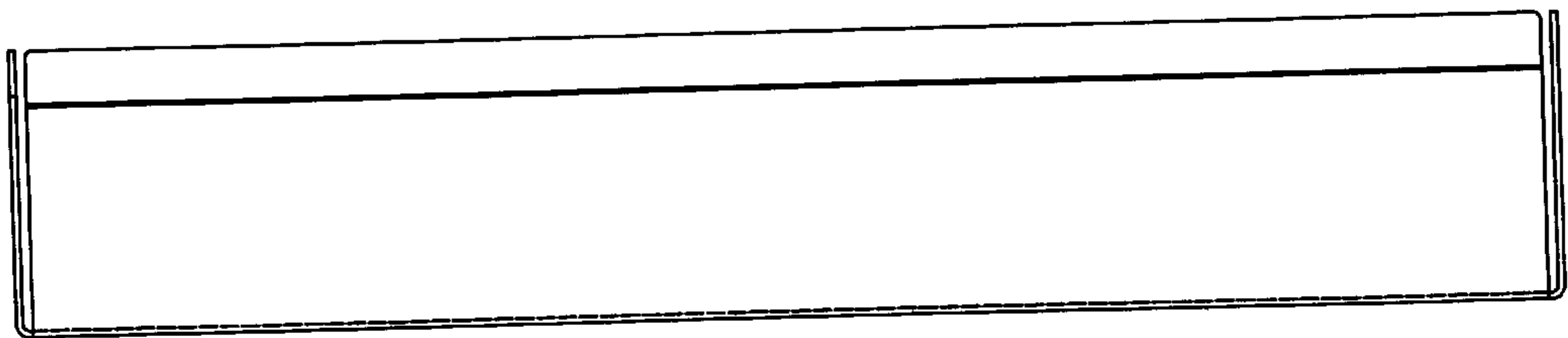


FIG. 10