



US00D446388B1

(12) **United States Design Patent**
Rivera

(10) **Patent No.:** **US D446,388 S**

(45) **Date of Patent:** **** Aug. 14, 2001**

(54) **COMBINED KEY CHAIN AND COIN HOLDER**

5,152,399 10/1992 Keenaghan et al. .

* cited by examiner

(76) Inventor: **Miguel A Rivera**, 8031 8th St., Buena Park, CA (US) 90621

Primary Examiner—Ralf Seifert

(**) Term: **14 Years**

(57) **CLAIM**

The ornamental design for a combined key chain and coin holder, as shown and described.

(21) Appl. No.: **29/132,159**

DESCRIPTION

(22) Filed: **Nov. 3, 2000**

(51) **LOC (7) Cl.** **03-01**

(52) **U.S. Cl.** **D3/208**

(58) **Field of Search** D3/207–212; 70/456 R, 70/457, 458; 40/634; 24/3.6; 220/804

FIG. 1 is a front elevational view of the combined key chain and coin holder of the present invention, the rear view being a mirror image thereof;

FIG. 2 is a left side elevational view of the combined key chain and coin holder of FIG. 1;

FIG. 3 is a top plan view of the combined key chain and coin holder of FIG. 1;

FIG. 4 is a bottom plan view of the combined key chain and coin holder of FIG. 1; and,

FIG. 5 is a right side elevational view of the combined key chain and coin holder of FIG. 1.

The broken lines showing of a key in FIGS. 1–5 are for illustrative purposes only and form no part of the claimed design.

(56) **References Cited**

U.S. PATENT DOCUMENTS

D. 337,885	8/1993	O'Brien .	
D. 394,369 *	5/1998	Blecker	D3/208
2,701,659 *	2/1955	Baltosser	220/804
2,716,483	8/1955	Nauman .	
2,892,537	6/1959	Schwartz .	
3,604,233	9/1971	Barrett .	
4,166,489	9/1979	Lemelson .	
4,765,459 *	8/1988	Edwards	70/456 R

1 Claim, 3 Drawing Sheets

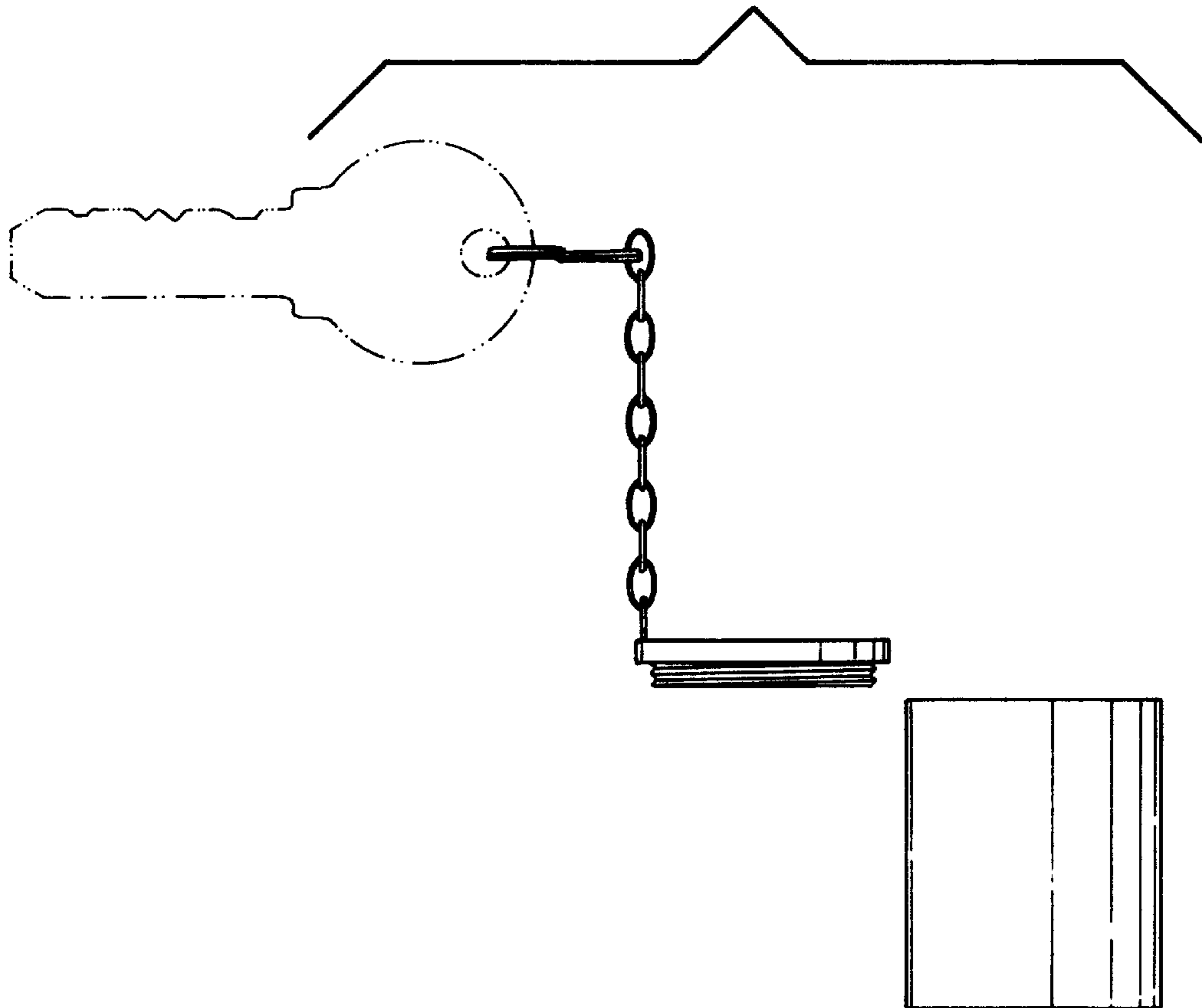


FIG. 3

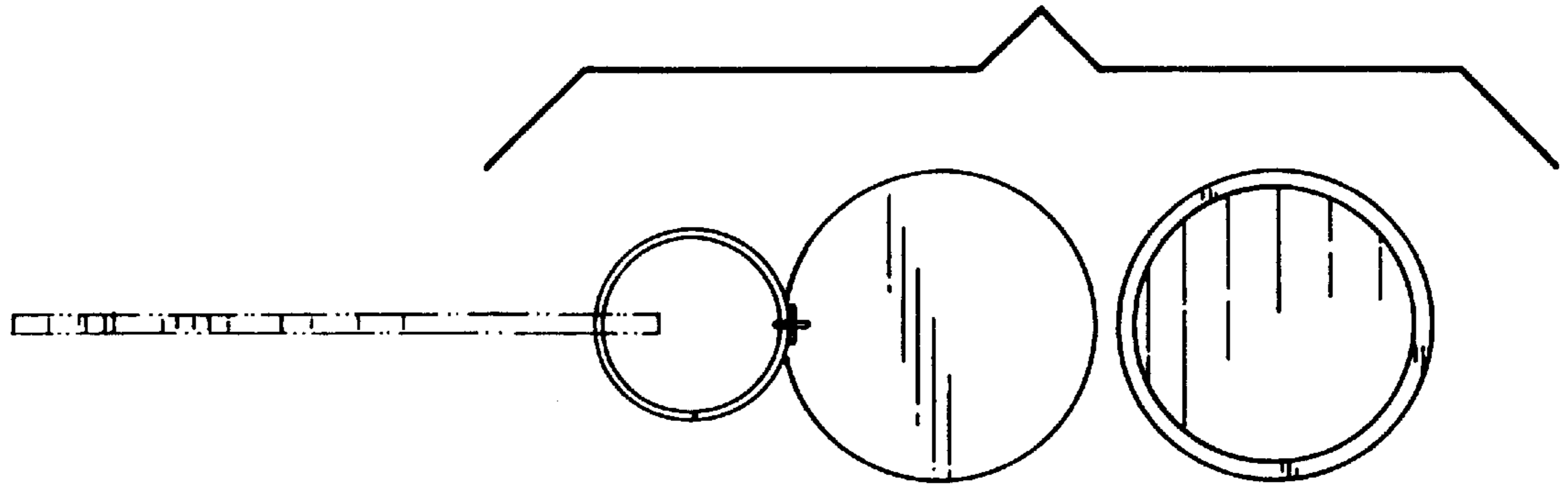
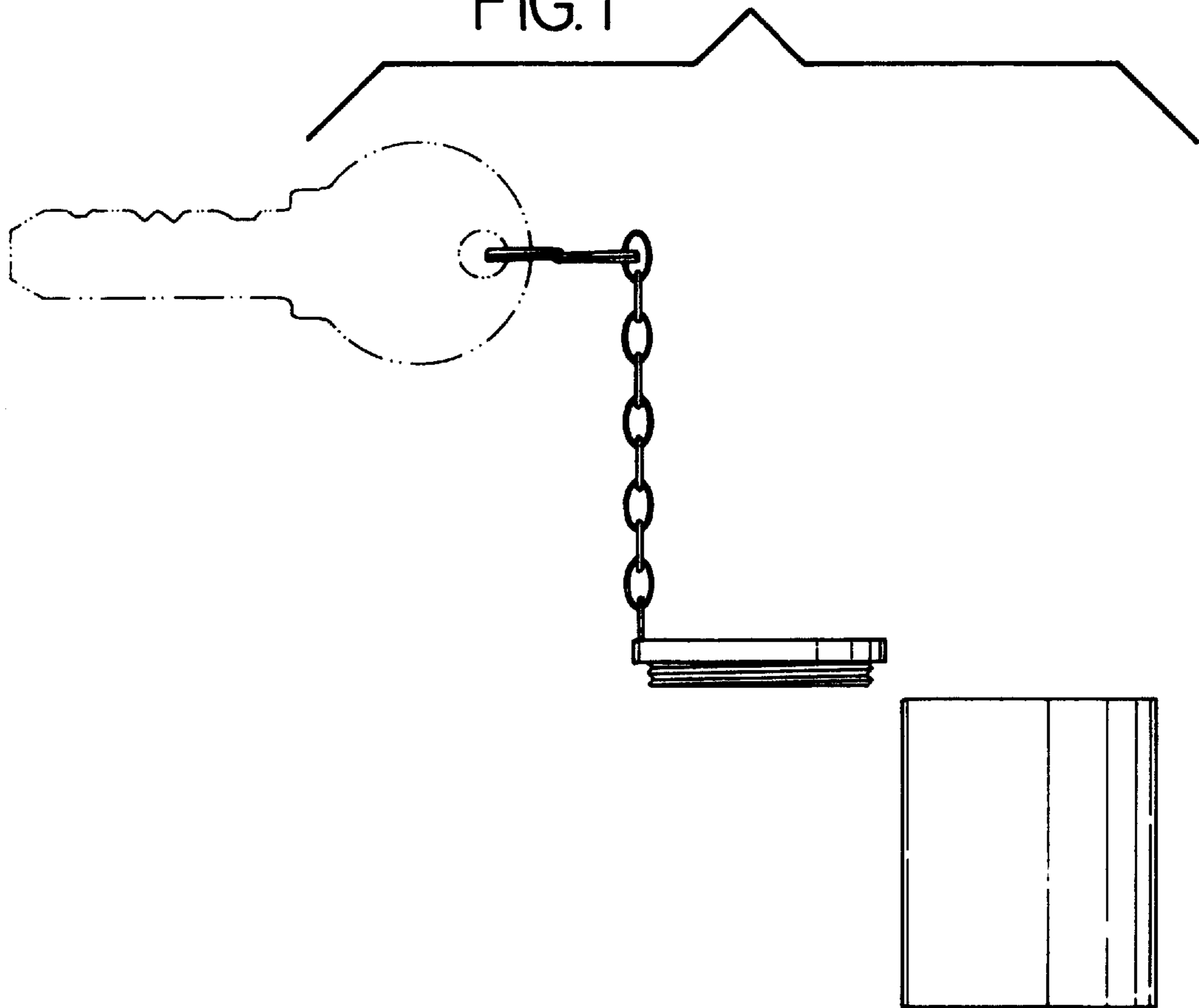
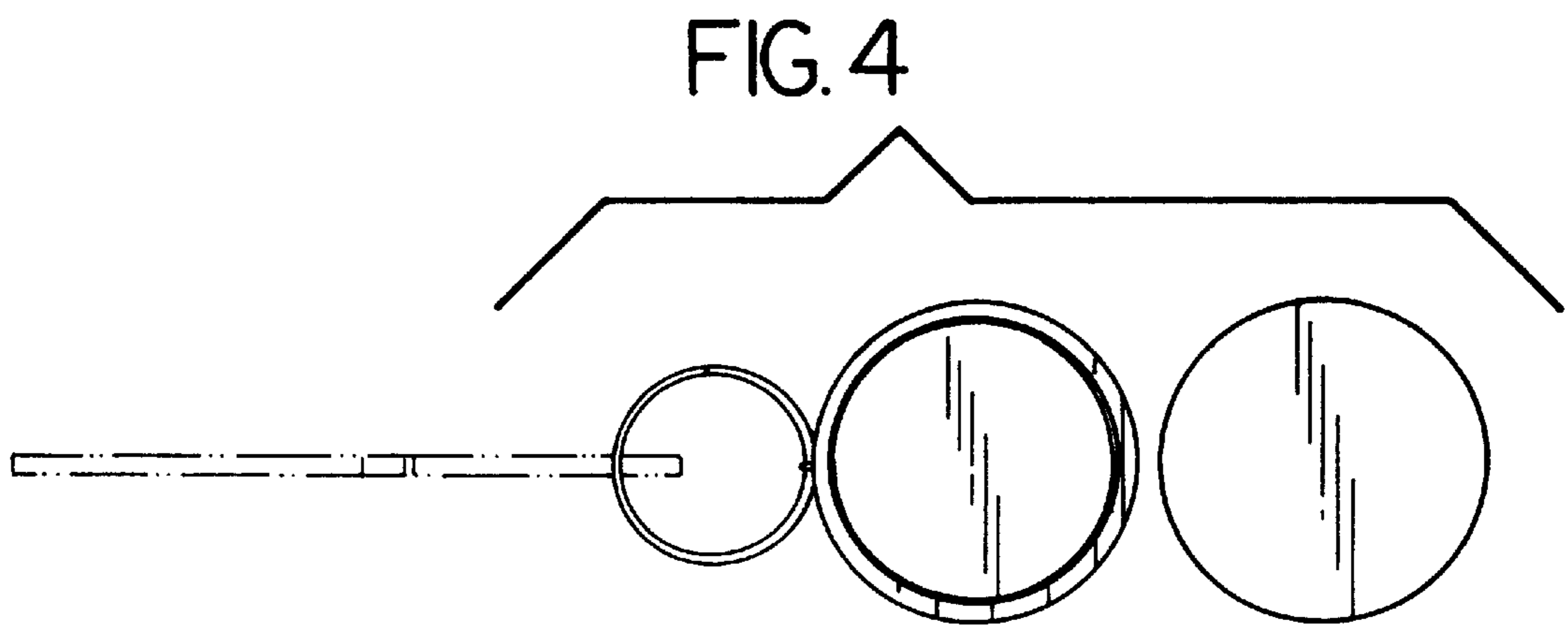
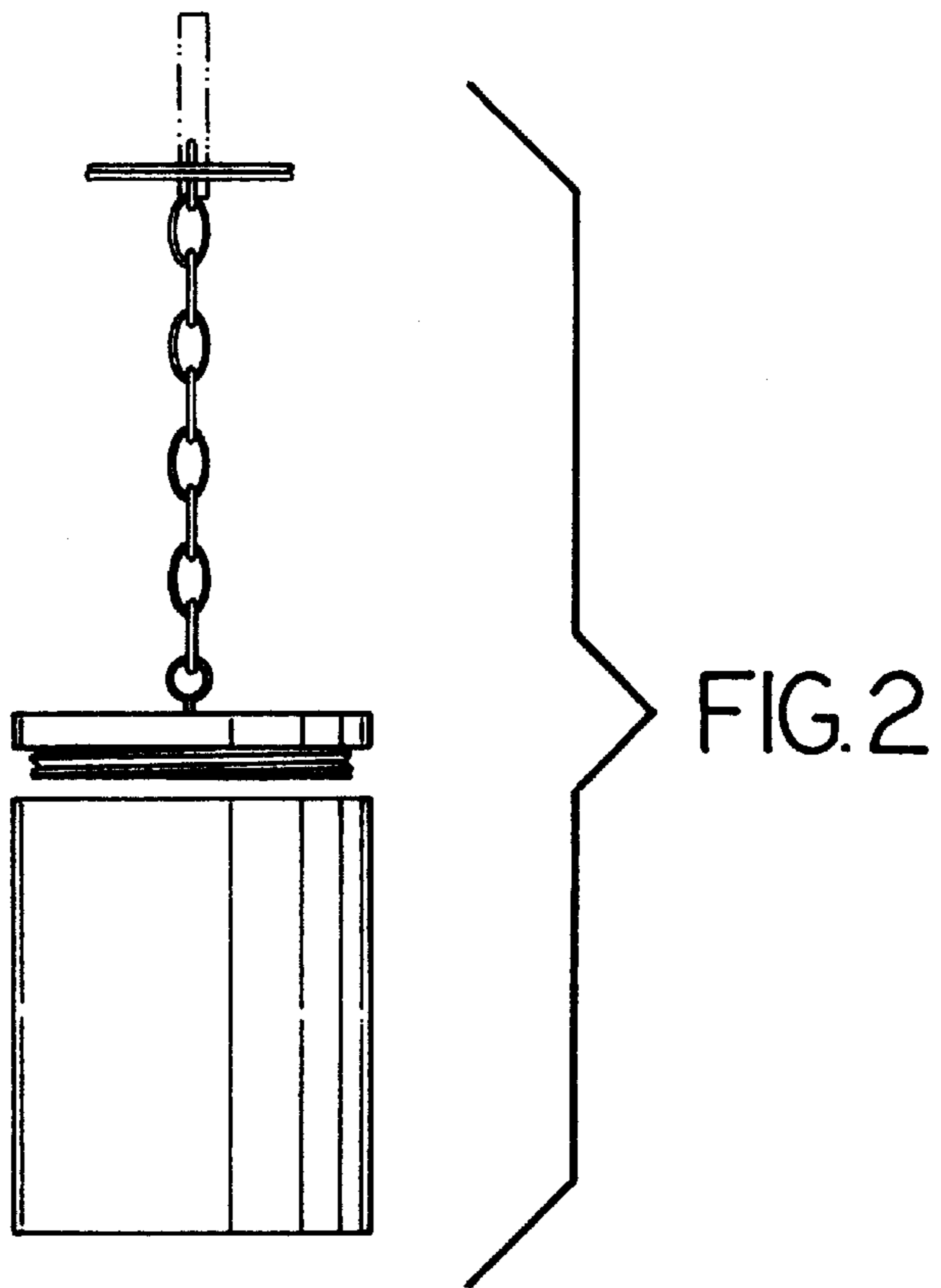


FIG. 1





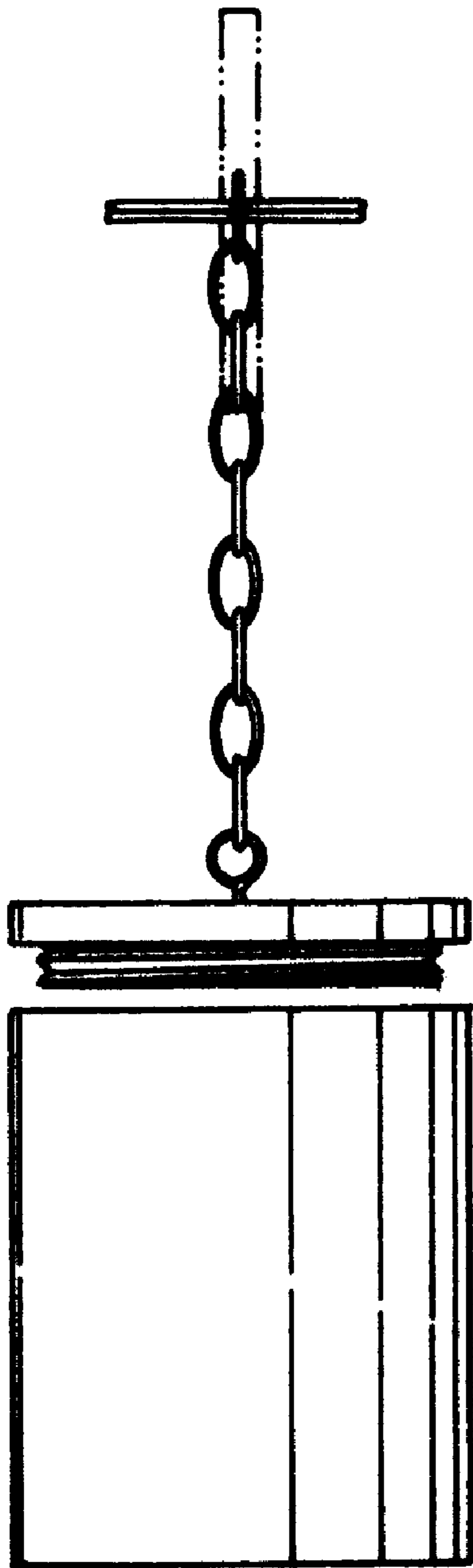


FIG. 5