



US00D446380S

(12) **United States Design Patent**
Knox, Jr.

(10) **Patent No.:** **US D446,380 S**

(45) **Date of Patent:** **** Aug. 7, 2001**

(54) **COMBINATION GUMBALL DISPENSER AND COIN BANK**

(75) **Inventor:** **William J. Knox, Jr., Painesville, OH (US)**

(73) **Assignee:** **Mag-Nif Incorporated, Mentor, OH (US)**

(**) **Term:** **14 Years**

(21) **Appl. No.:** **29/134,295**

(22) **Filed:** **Dec. 18, 2000**

(51) **LOC (7) Cl.** **99-00**

(52) **U.S. Cl.** **D99/36**

(58) **Field of Search** D99/34, 35, 36,
D99/37; D20/7; 194/242, 294; 221/155,
199, 202, 238, 264; 446/8, 9, 10, 11, 12,
13; 453/3, 9, 10, 12, 13, 15

(56) **References Cited**

U.S. PATENT DOCUMENTS

D. 283,075	*	3/1986	Spirk, Jr. et al.	D99/34
D. 393,531	*	4/1998	Perkitny	D99/35
D. 425,284	*	5/2000	Nottingham et al.	D99/34
D. 426,694	*	6/2000	Nottingham et al.	D99/34
D. 437,469	*	2/2001	Nottingham et al.	D99/34
3,077,254	*	2/1963	Goldfarb	194/294

3,313,477	*	4/1967	Brown	453/9 X
4,607,648	*	8/1986	Hough	453/9
5,827,117	*	10/1998	Naab	453/9
6,165,063	*	12/2000	Perkitny	453/9

OTHER PUBLICATIONS

“Mag-Nif Makes it in the U.S.A.!” Brochure, 1999.

* cited by examiner

Primary Examiner—Paula A. Mortimer

(74) *Attorney, Agent, or Firm*—Fay, Sharpe, Fagan, Minnich & McKee, LLP

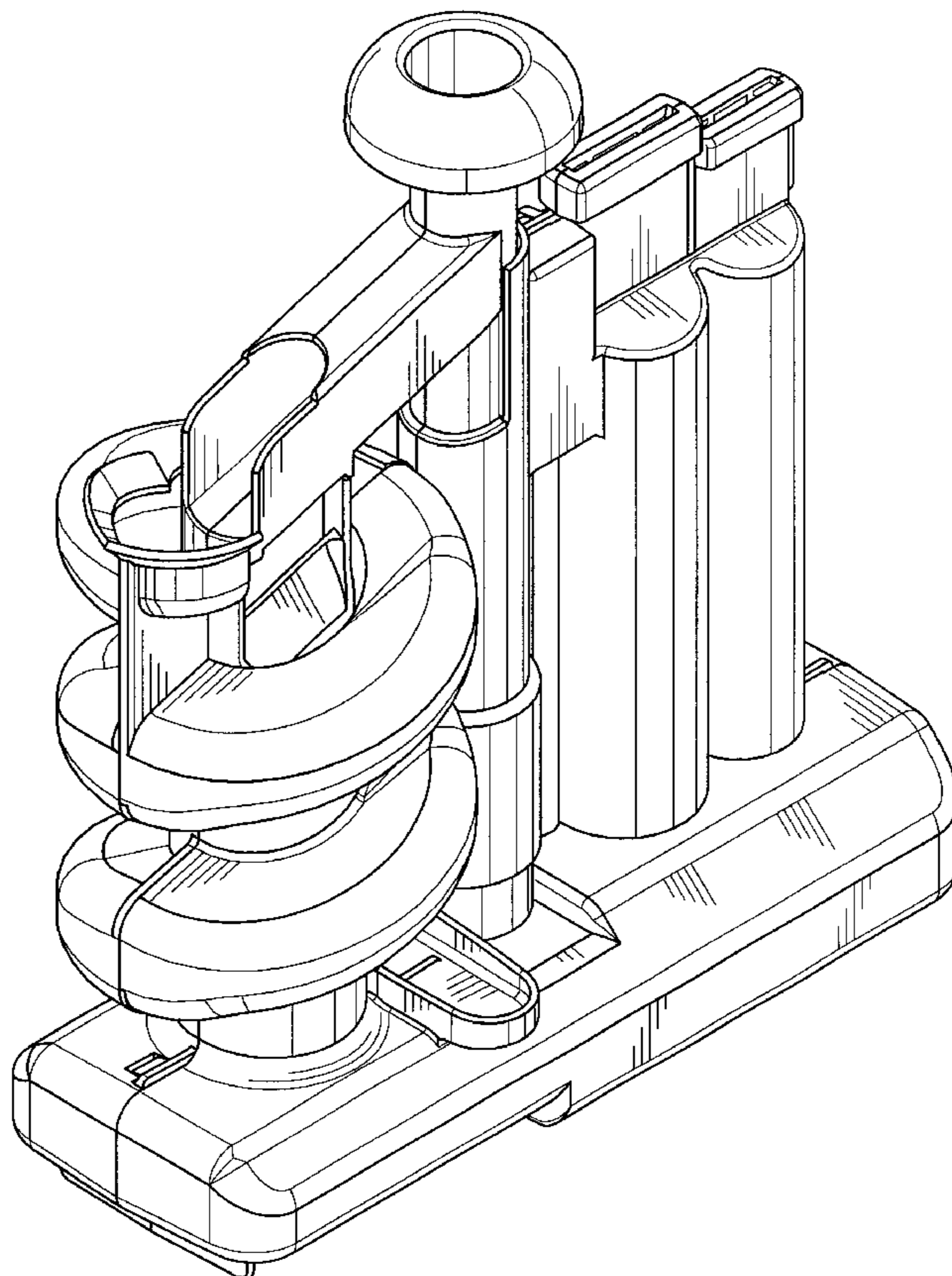
(57) **CLAIM**

The ornamental design for a combination gumball dispenser and coin bank, as shown and described.

DESCRIPTION

FIG. 1 is a perspective view of a combination gumball dispenser and coin bank showing my new design; FIG. 2 is a top plan view thereof; FIG. 3 is a front elevational view thereof; FIG. 4 is a rear elevational view thereof; FIG. 5 is a bottom plan view thereof; FIG. 6 is a left side elevational view thereof; and, FIG. 7 is a right side elevational view thereof.

1 Claim, 4 Drawing Sheets



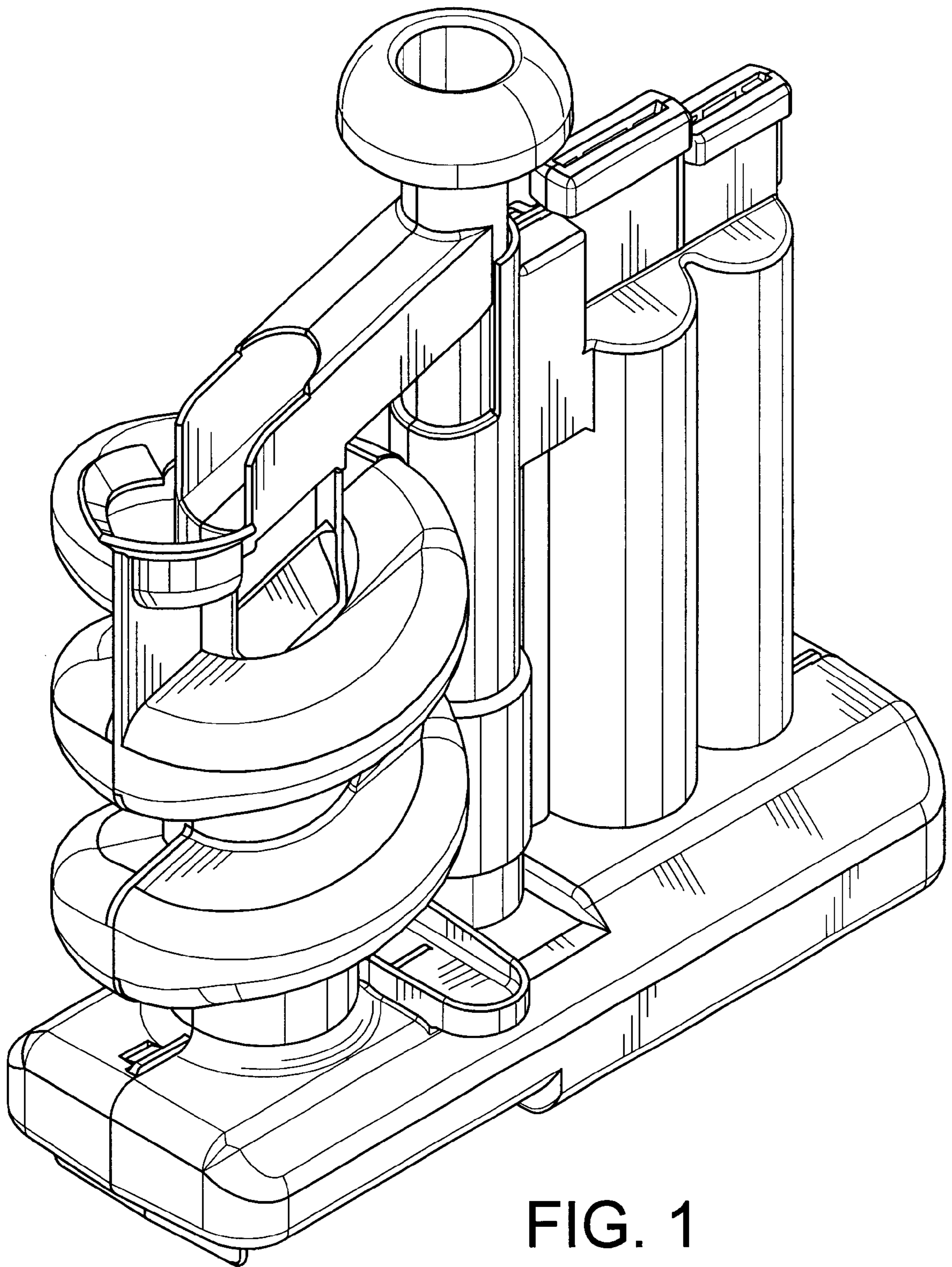


FIG. 1

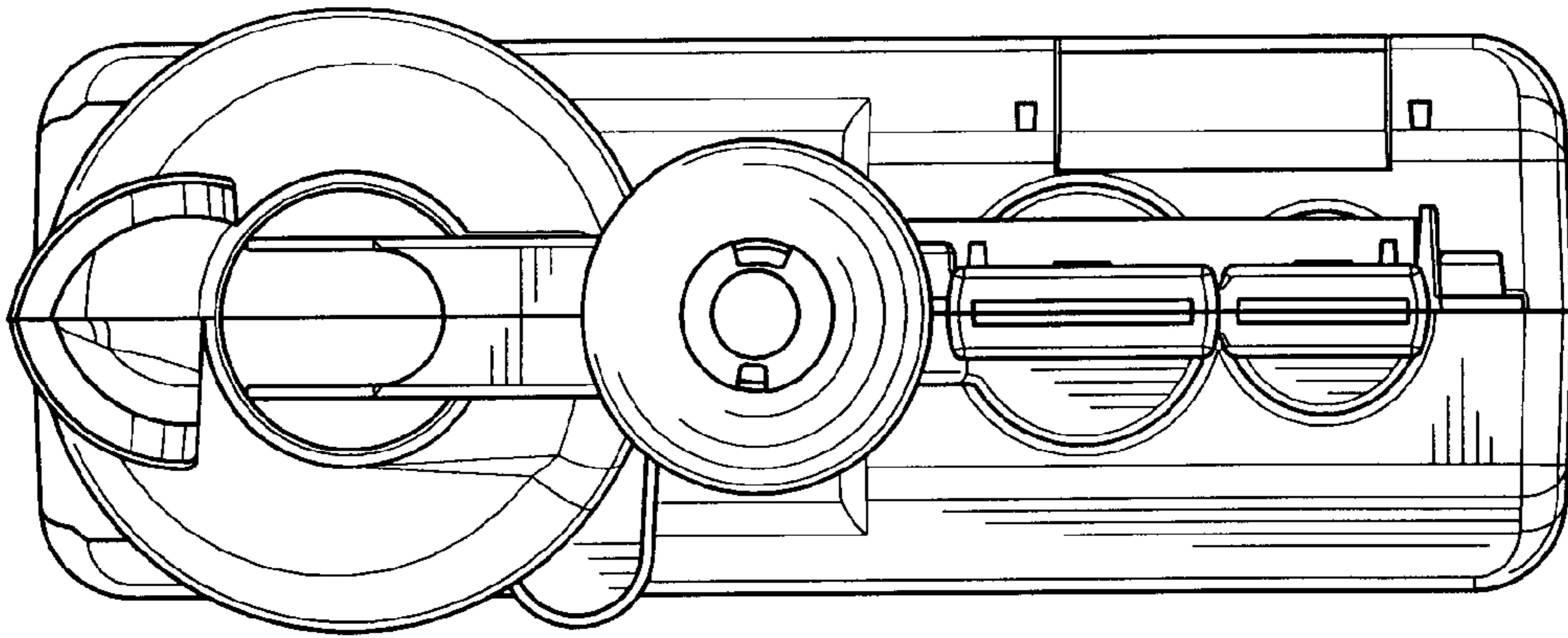


FIG. 2

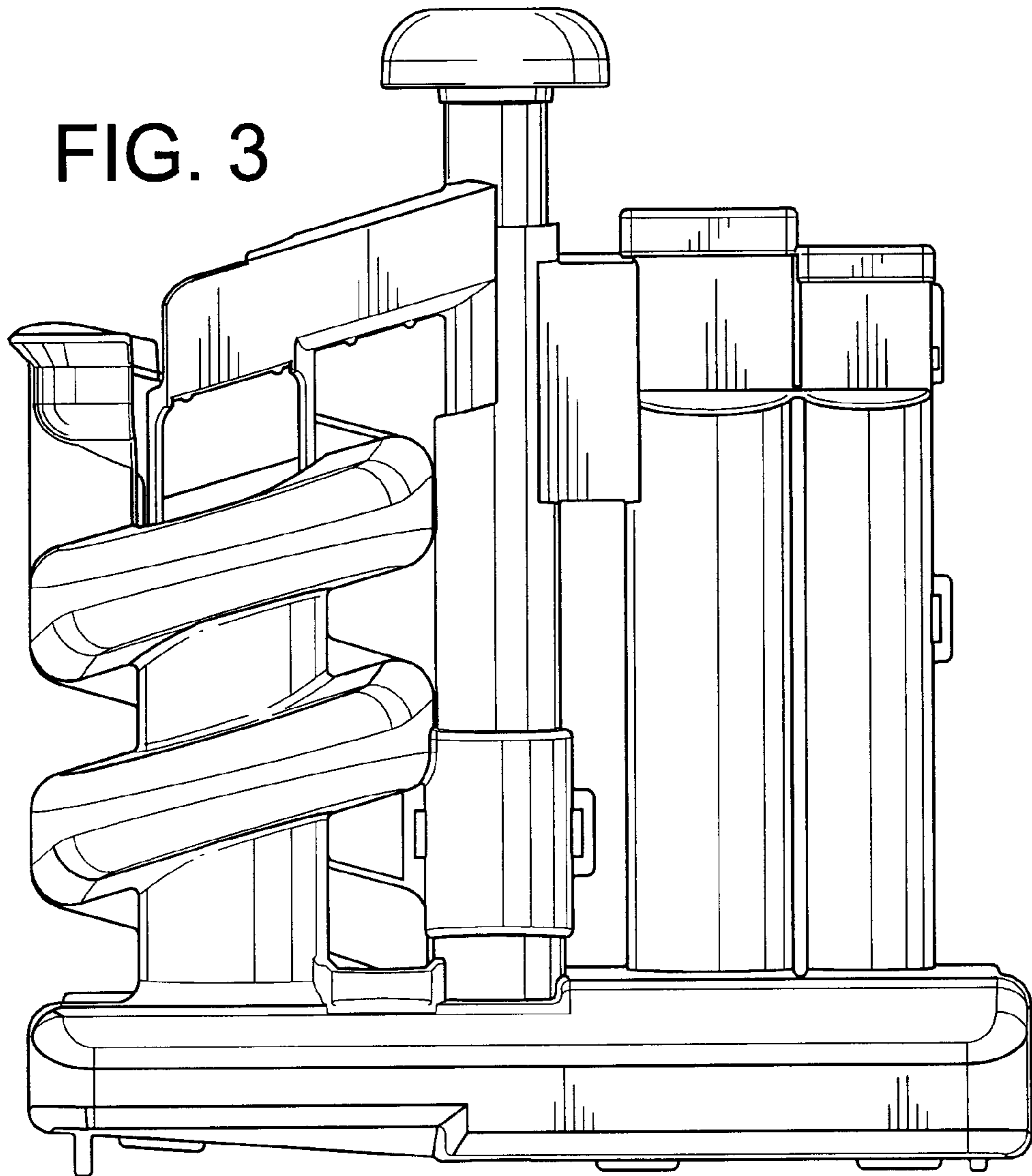


FIG. 3

FIG. 4

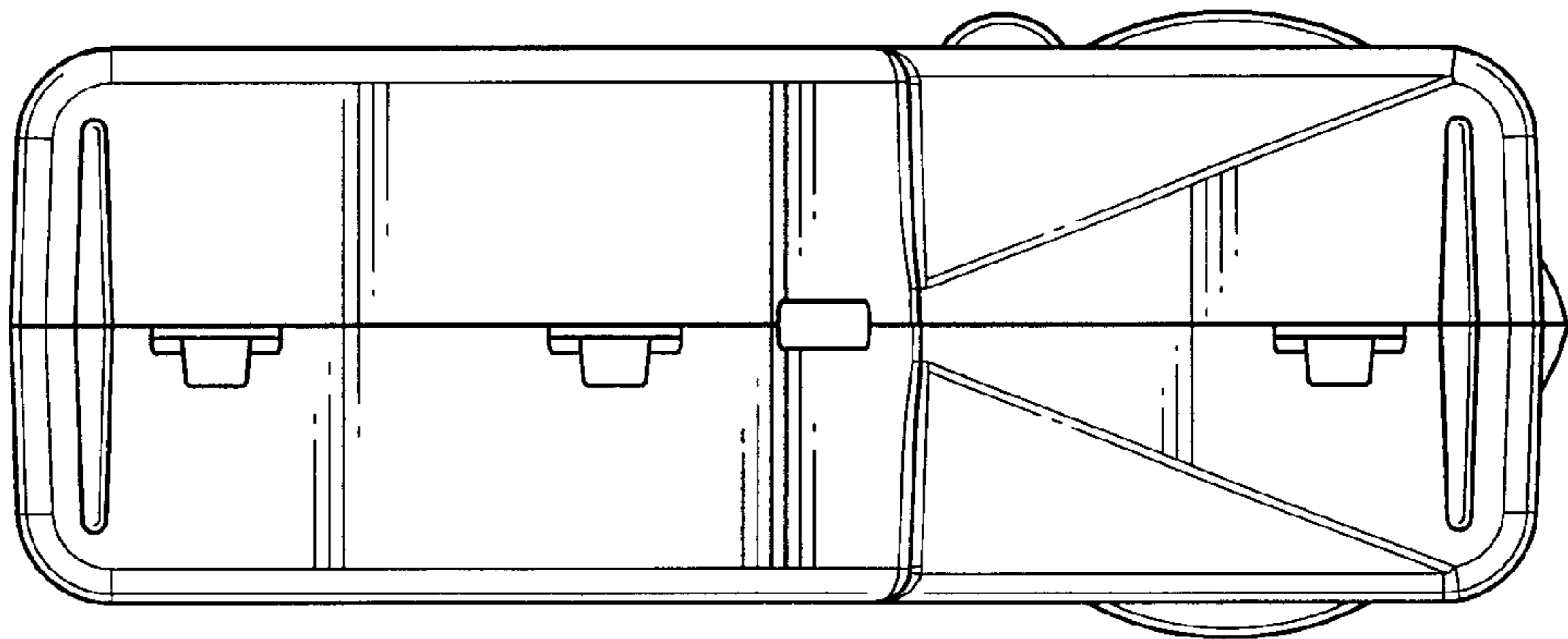
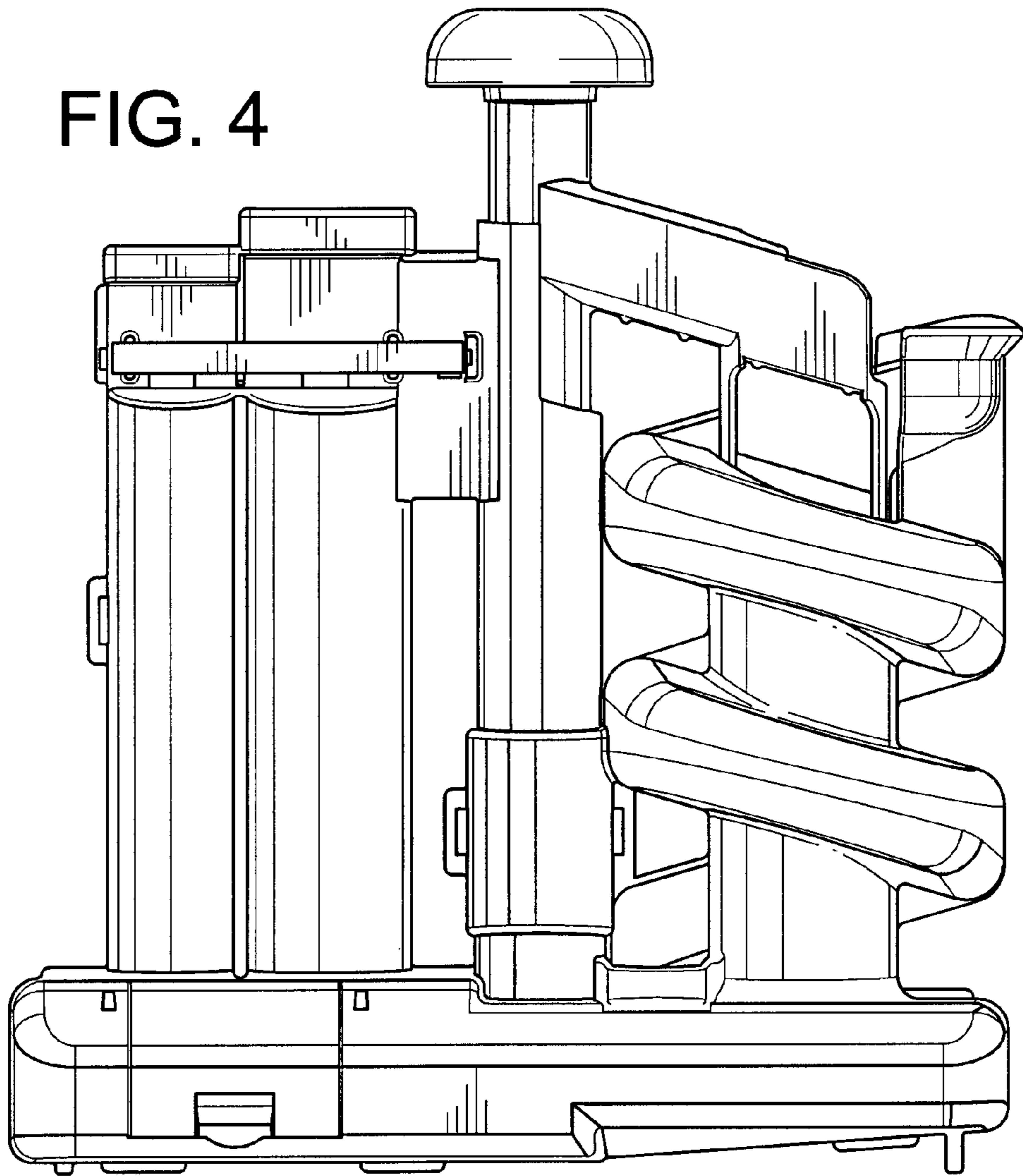


FIG. 5

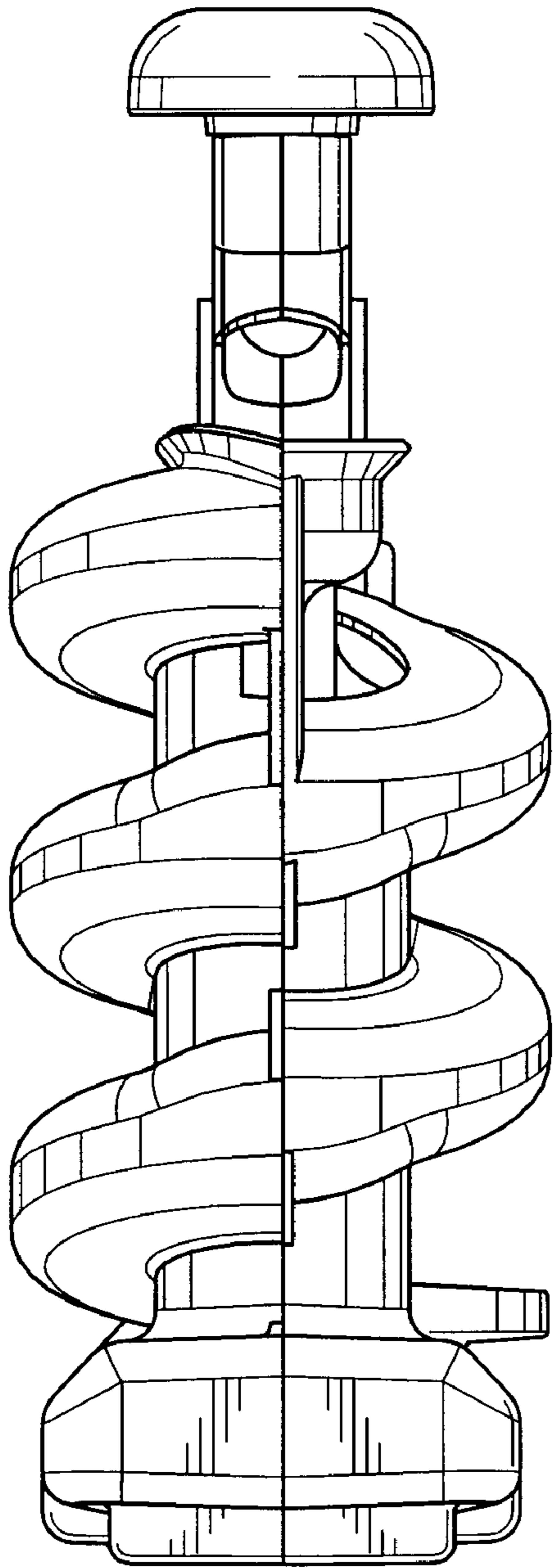


FIG. 6

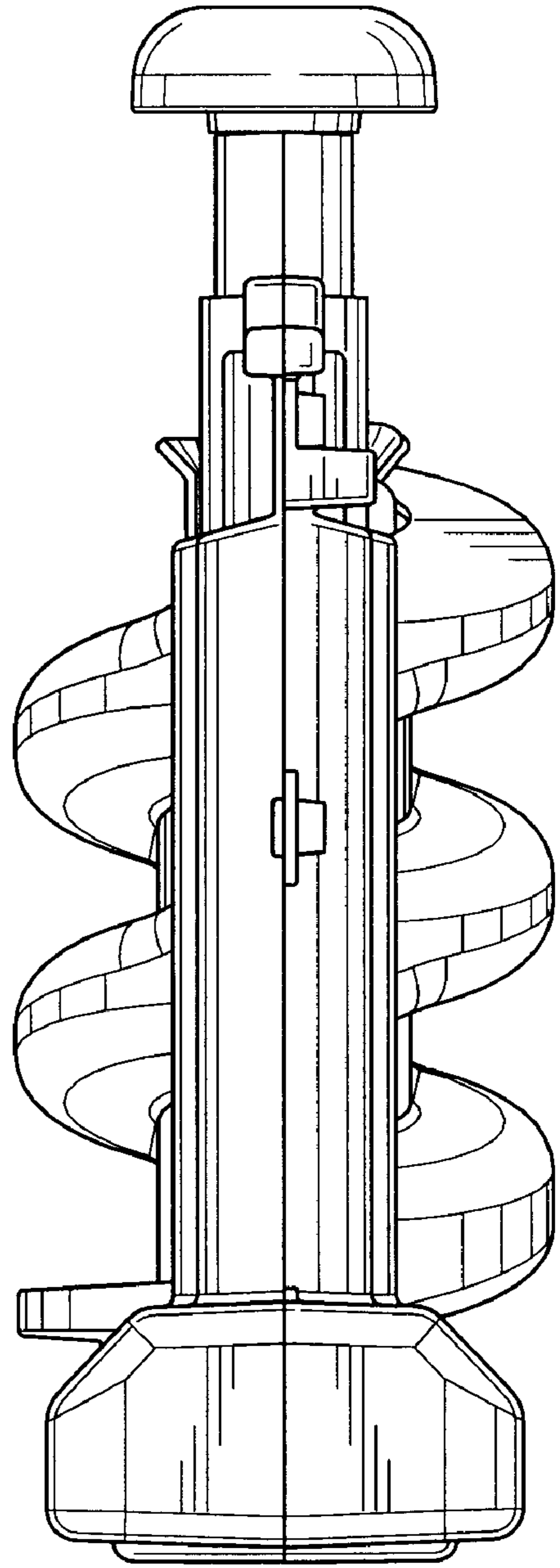


FIG. 7