



US00D446379S

(12) **United States Design Patent**
Taylor

(10) **Patent No.:** **US D446,379 S**

(45) **Date of Patent:** **** Aug. 7, 2001**

(54) **STOP SIGN MAILBOX FLAG**

(76) Inventor: **Jeffrey Herbert Taylor**, 728 W. El Portal Dr., Pueblo West, CO (US) 81007

(**) Term: **14 Years**

(21) Appl. No.: **29/134,349**

(22) Filed: **Dec. 18, 2000**

(51) **LOC (7) Cl.** **99-00**

(52) **U.S. Cl.** **D99/29**

(58) **Field of Search** D99/29, 30, 31, D99/32; D20/10; D10/109, 114; 232/33, 34, 35, 36, 37; 40/541, 584, 586, 572

(56) **References Cited**

U.S. PATENT DOCUMENTS

D. 348,969	*	7/1994	Barbour	D99/30
D. 397,364	*	8/1998	Barrett	D20/10 X
D. 400,462	*	11/1998	Ivanovic	D10/114
D. 426,934	*	6/2000	Powell et al.	D99/30
4,318,507	*	3/1982	Thopsey et al.	235/35
5,445,317	*	8/1995	Sorolowski	232/34

* cited by examiner

Primary Examiner—Paula A. Mortimer

(74) *Attorney, Agent, or Firm*—Holme Roberts & Owen, LLP

(57) **CLAIM**

The ornamental design for the stop sign mailbox flag, as shown and described.

DESCRIPTION

FIG. 1 is a front perspective view of a stop sign mailbox flag of our new design, the broken lines showing an associated article which is for illustrative purposes only and which forms no part of the claimed design;

FIG. 2 is a front side elevational view of our design of the stop sign mailbox flag of FIG. 1;

FIG. 3 is a back side elevational view of our design of the stop sign mailbox flag of FIG. 1;

FIG. 4 is a side elevational view of our design of the stop sign mailbox flag of FIG. 1;

FIG. 5 is a side elevational view of our design of the stop sign mailbox flag of FIG. 1;

FIG. 6 is a top plan view of our design of the stop sign mailbox flag of FIG. 1;

FIG. 7 is a bottom plan view of our design of the stop sign mailbox flag of FIG. 1;

FIG. 8 is a front perspective view of an alternative embodiment of our design of a stop sign mail box flag;

FIG. 9 is a front side elevational view of our design of the stop sign mailbox flag of FIG. 8;

FIG. 10 is a back side elevational view of our design of the stop sign mailbox flag of FIG. 8;

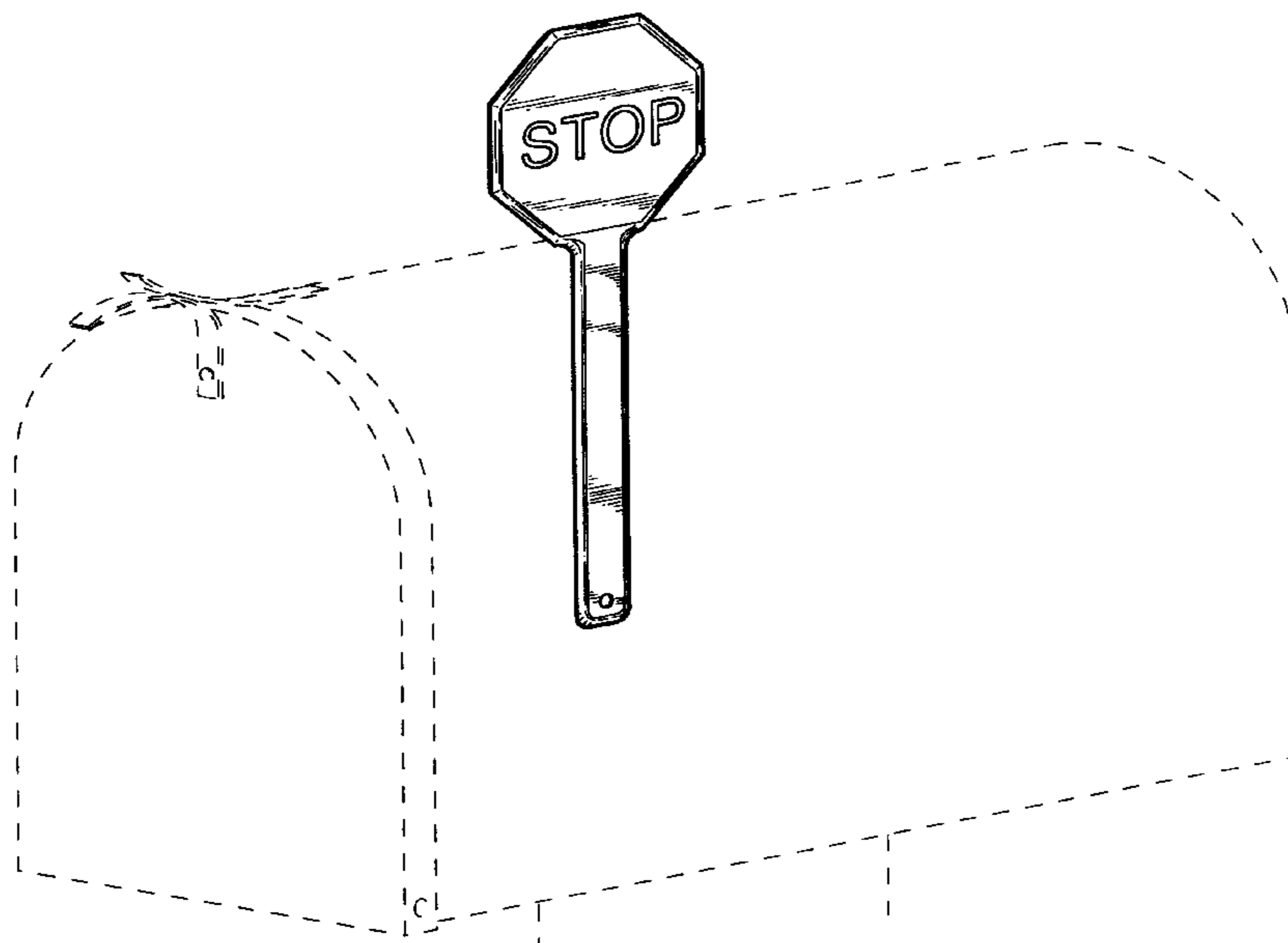
FIG. 11 is a side elevational view of our design of the stop sign mailbox flag of FIG. 8;

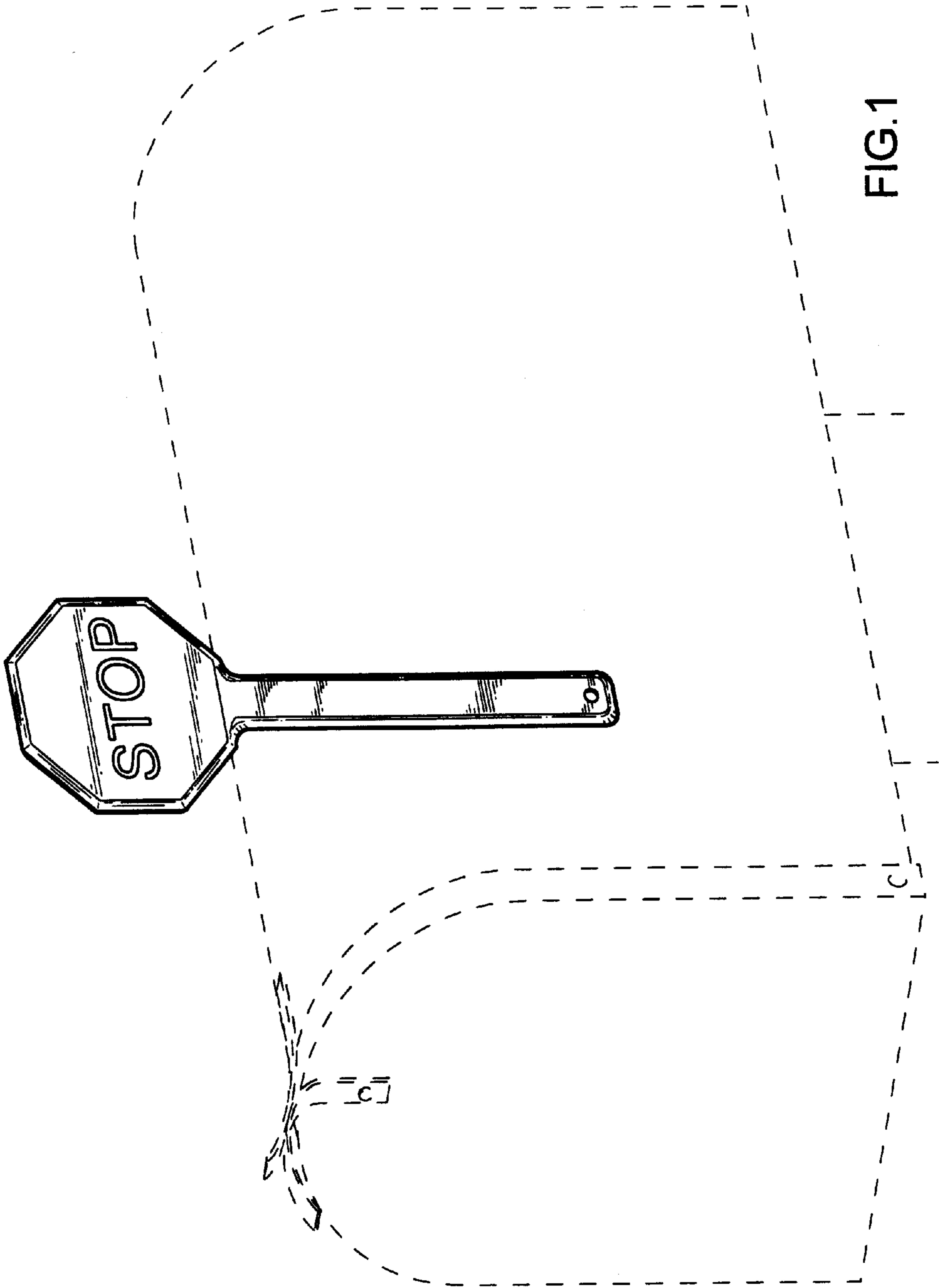
FIG. 12 is a side elevational view of our design of the stop sign mailbox flag of FIG. 8;

FIG. 13 is a top plan view of our design of the stop sign mailbox flag of FIG. 8; and,

FIG. 14 is a bottom plan view of our design of the stop sign mailbox flag of FIG. 8.

1 Claim, 6 Drawing Sheets





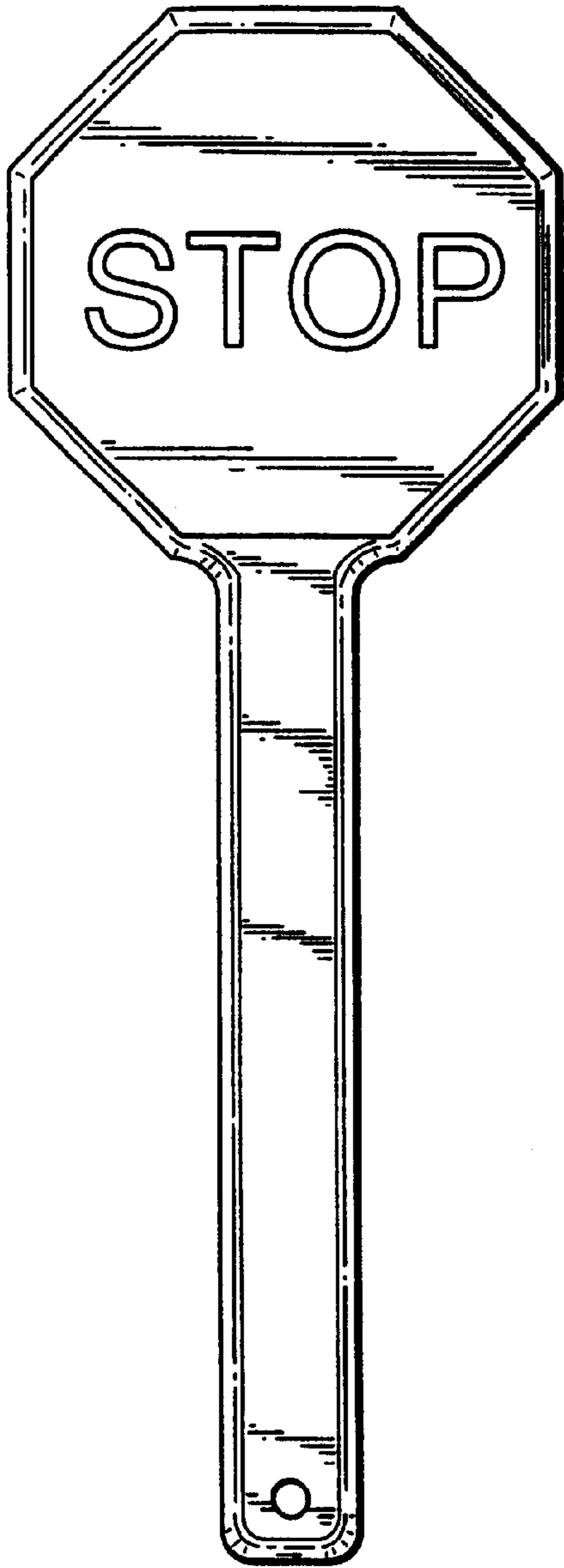


FIG. 2

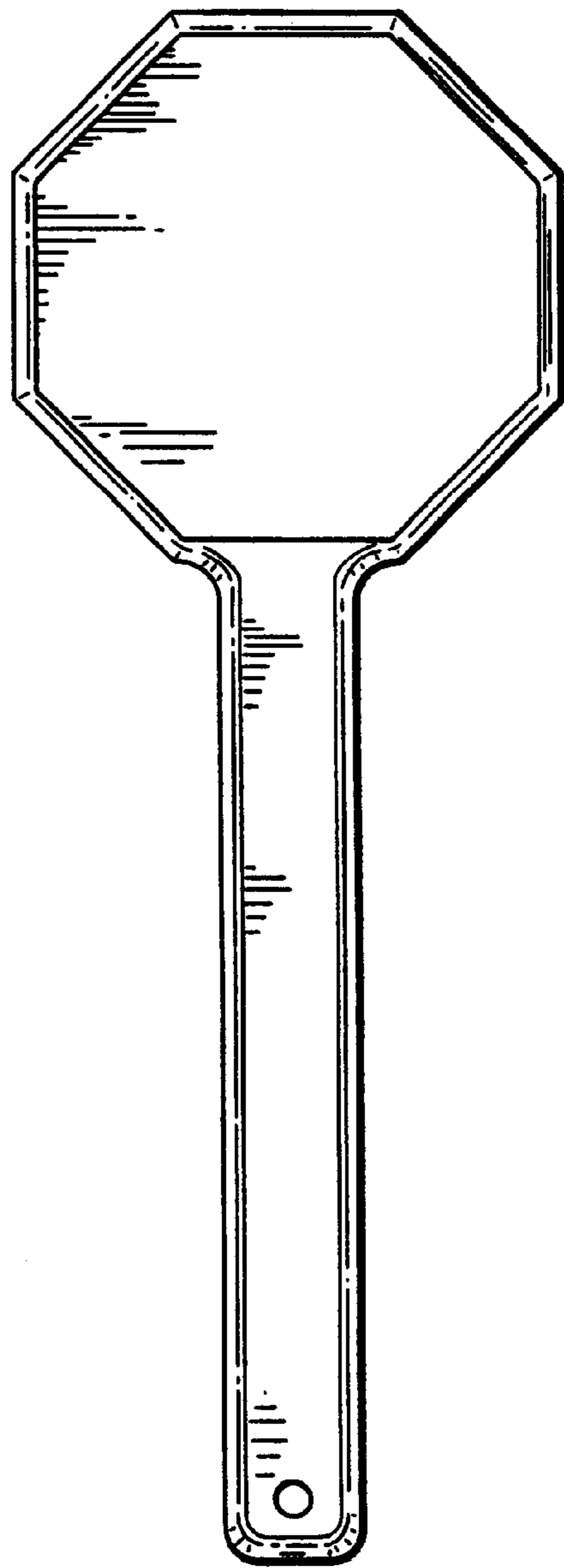


FIG. 3

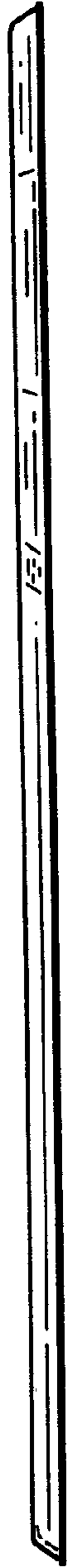


FIG. 4



FIG. 5

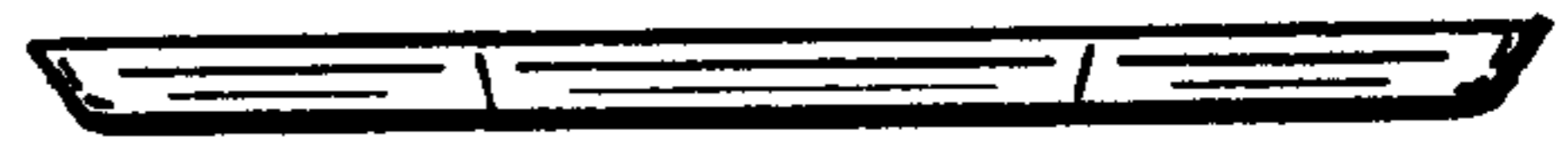


FIG. 6



FIG. 7

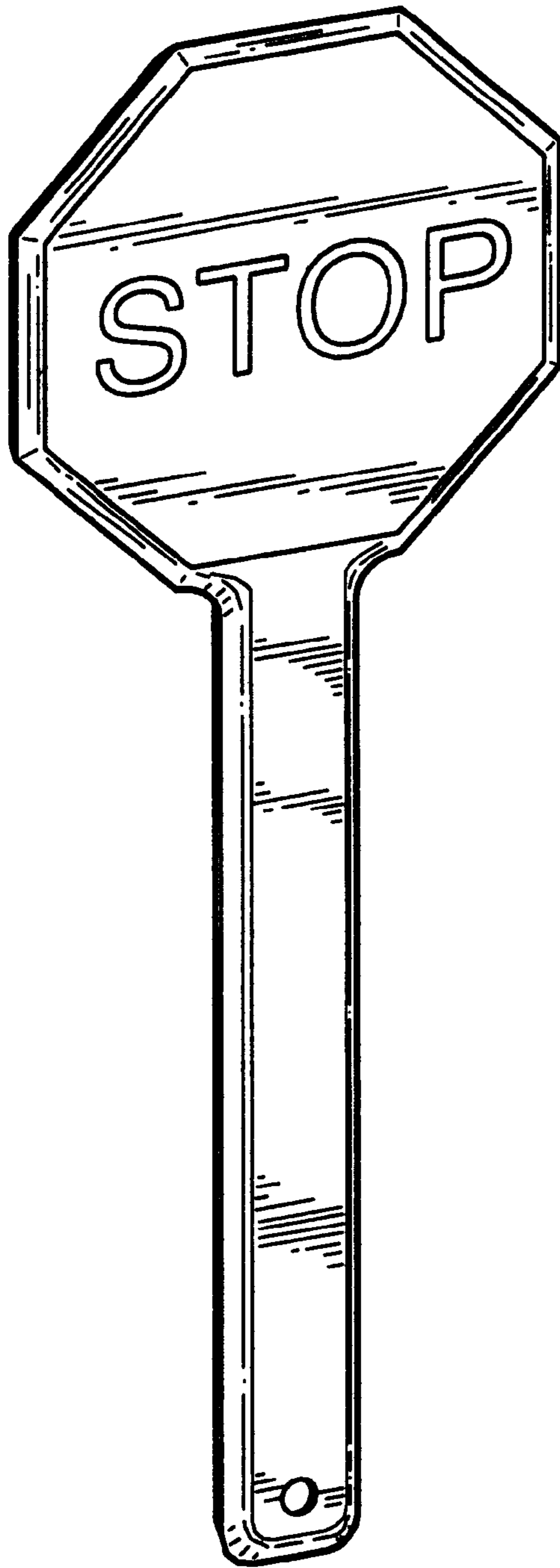


FIG. 8

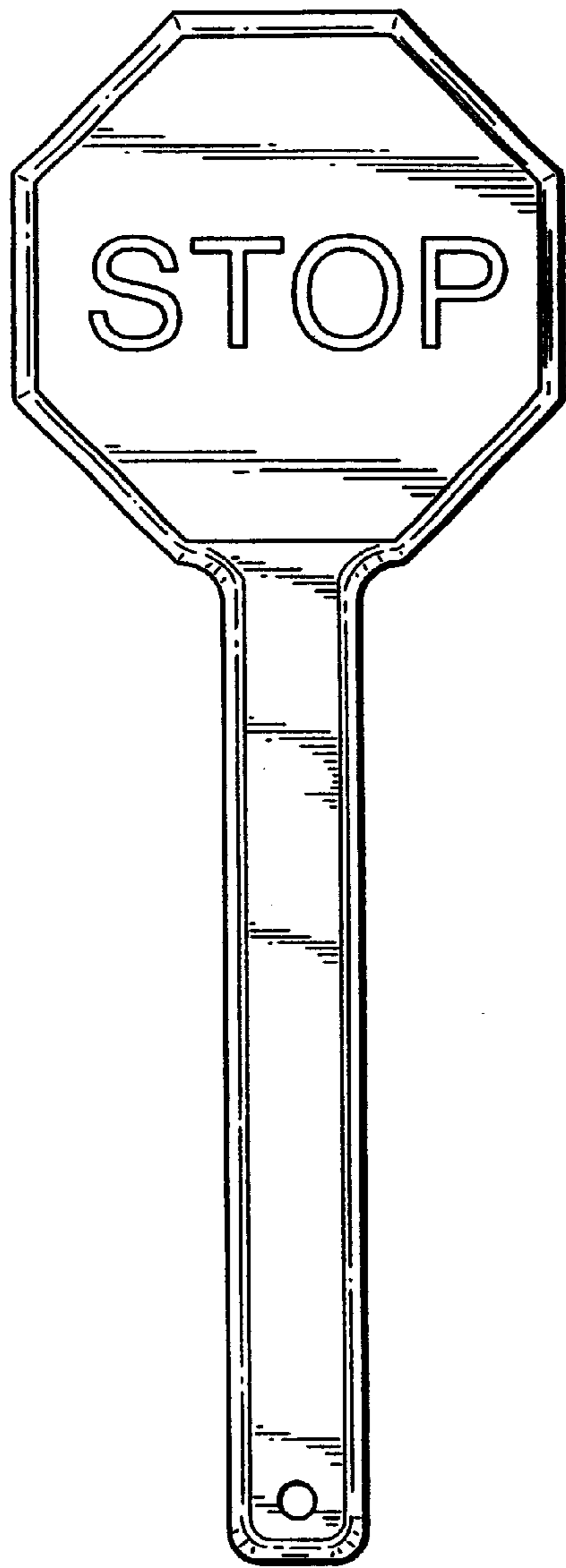


FIG. 9

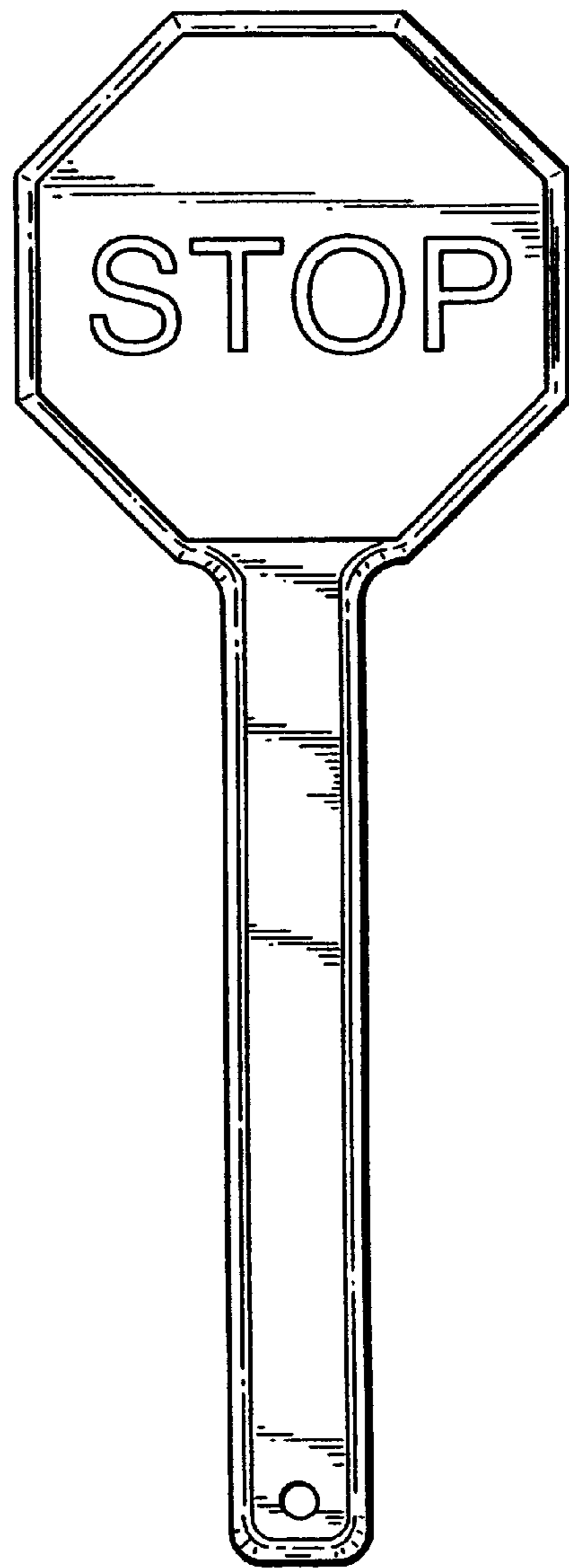


FIG. 10



FIG. 11



FIG. 12



FIG. 13



FIG. 14