



US00D446373S

(12) **United States Design Patent**
Weiss et al.

(10) **Patent No.:** **US D446,373 S**

(45) **Date of Patent:** **** Aug. 7, 2001**

(54) **HOLDER FOR REFUSE RECEPTACLE**

(75) Inventors: **Richard E. Weiss; Sam Weiss**, both of Pottsville, PA (US)

(73) Assignee: **United Metal Receptacle Inc.**, Pottsville, PA (US)

(**) Term: **14 Years**

(21) Appl. No.: **29/118,089**

(22) Filed: **Feb. 3, 2000**

(51) **LOC (7) Cl.** **09-09**

(52) **U.S. Cl.** **D34/1**

(58) **Field of Search** D34/1, 6, 7; 220/908, 220/909, 910, 911, 500, 524, 662, 665; D20/10, 19

(56) **References Cited**

U.S. PATENT DOCUMENTS

D. 184,746	*	3/1959	Lipscomb	D34/1
D. 246,496	*	11/1977	Weckwerth	D34/1
D. 270,200	*	8/1983	Creske	D34/7
D. 270,676	*	9/1983	Pease	D34/7
D. 271,248	*	11/1983	Maza et al.	D34/8
D. 338,758	*	8/1993	Sexton et al.	D34/7
D. 343,708	*	1/1994	Doty et al.	D34/1
D. 358,325	*	5/1995	McNaughton	D34/6 X
D. 373,874	*	9/1996	Zackson et al.	D34/1
D. 373,875	*	9/1996	Zackson et al.	D34/1

D. 374,528	*	10/1996	Zackson et al.	D34/1
D. 394,930	*	6/1998	Creske	D34/1
D. 410,124	*	5/1999	Nilsson et al.	D34/1
D. 419,605	*	1/2000	Thomas et al.	D20/19
D. 420,479	*	2/2000	Delmerico	D34/1
D. 424,264	*	5/2000	McKeown et al.	D34/1
3,793,756	*	2/1974	Kay et al.	220/908
3,803,738	*	4/1974	Weiss	220/909
5,046,635	*	9/1991	Haas et al.	220/524
5,372,271	*	12/1994	Miller et al.	220/908
5,772,063	*	6/1998	Gantz-Bloome	220/500

* cited by examiner

Primary Examiner—Cynthia E. Ramirez

(74) *Attorney, Agent, or Firm*—Duane Morris & Heckscher LLP

(57) **CLAIM**

The ornamental design of a holder for refuse receptacle, as shown and described.

DESCRIPTION

FIG. 1 is a front perspective view of the holder for refuse receptacle according to the inventive design, with receptacle openings on all four sides;

FIG. 2 is a front elevation view;

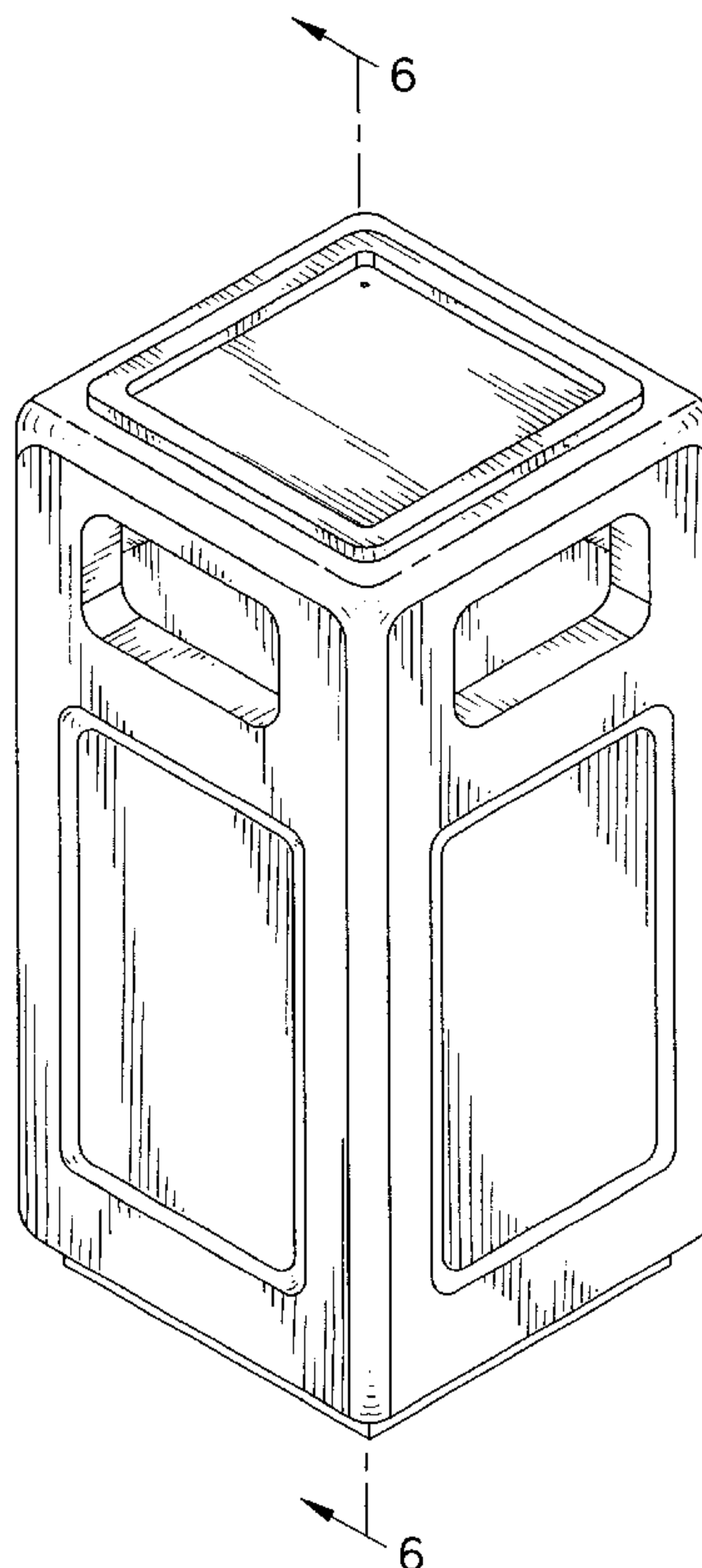
FIG. 3 is a side elevation view from the right in FIG. 2;

FIG. 4 is a top plan view;

FIG. 5 is a bottom plan view; and,

FIG. 6 is a sectional view.

1 Claim, 3 Drawing Sheets



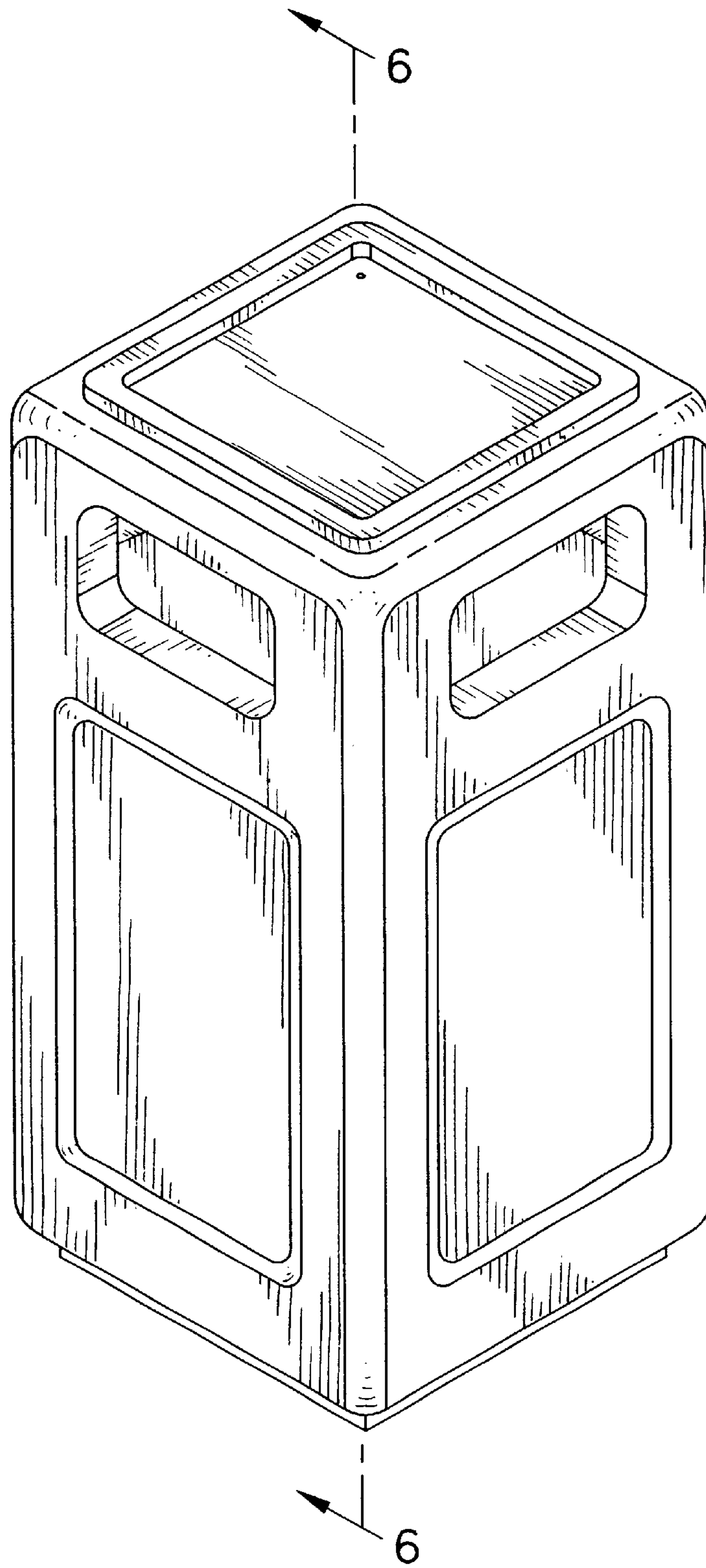


FIG. 1

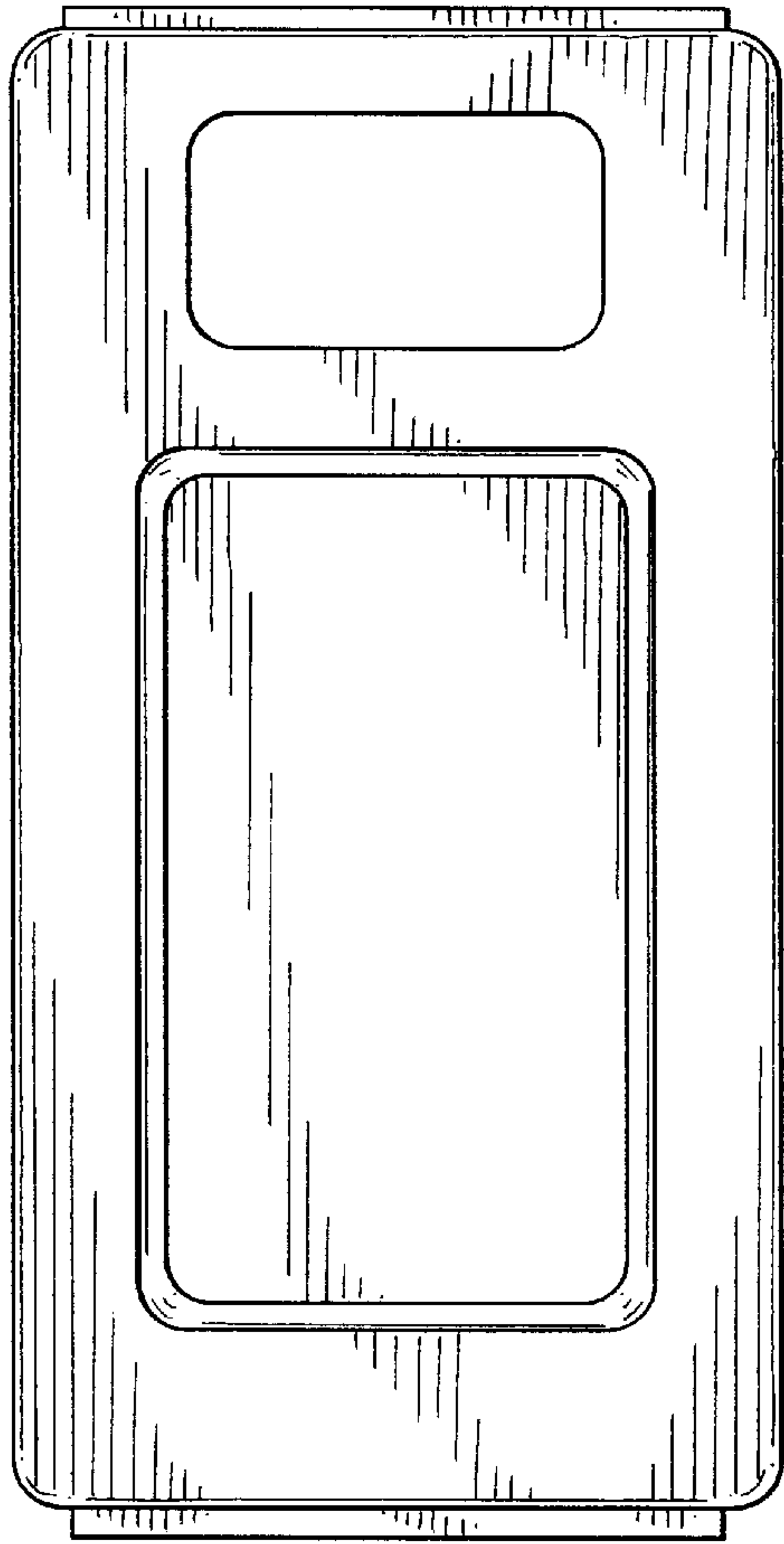


FIG. 2

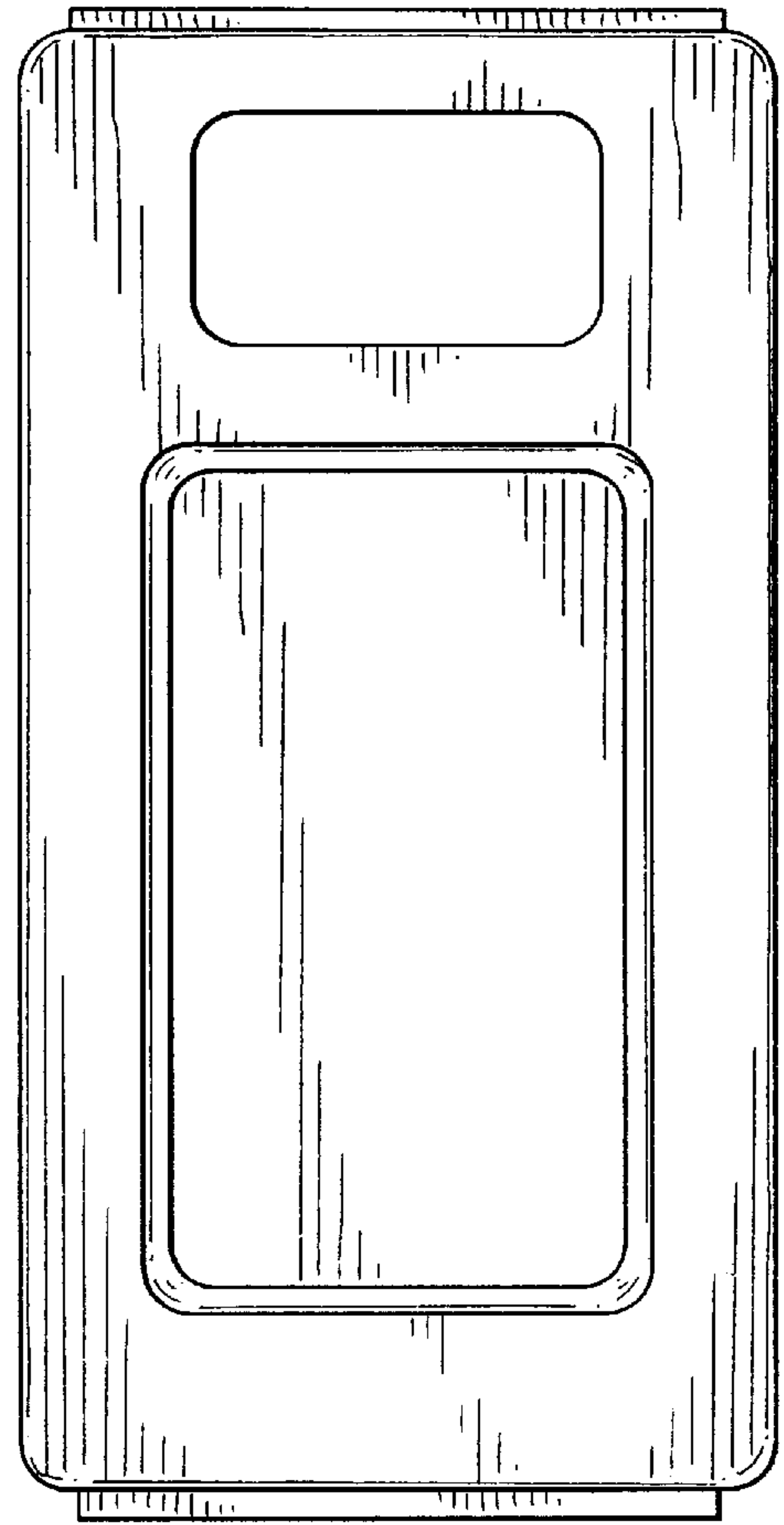


FIG. 3

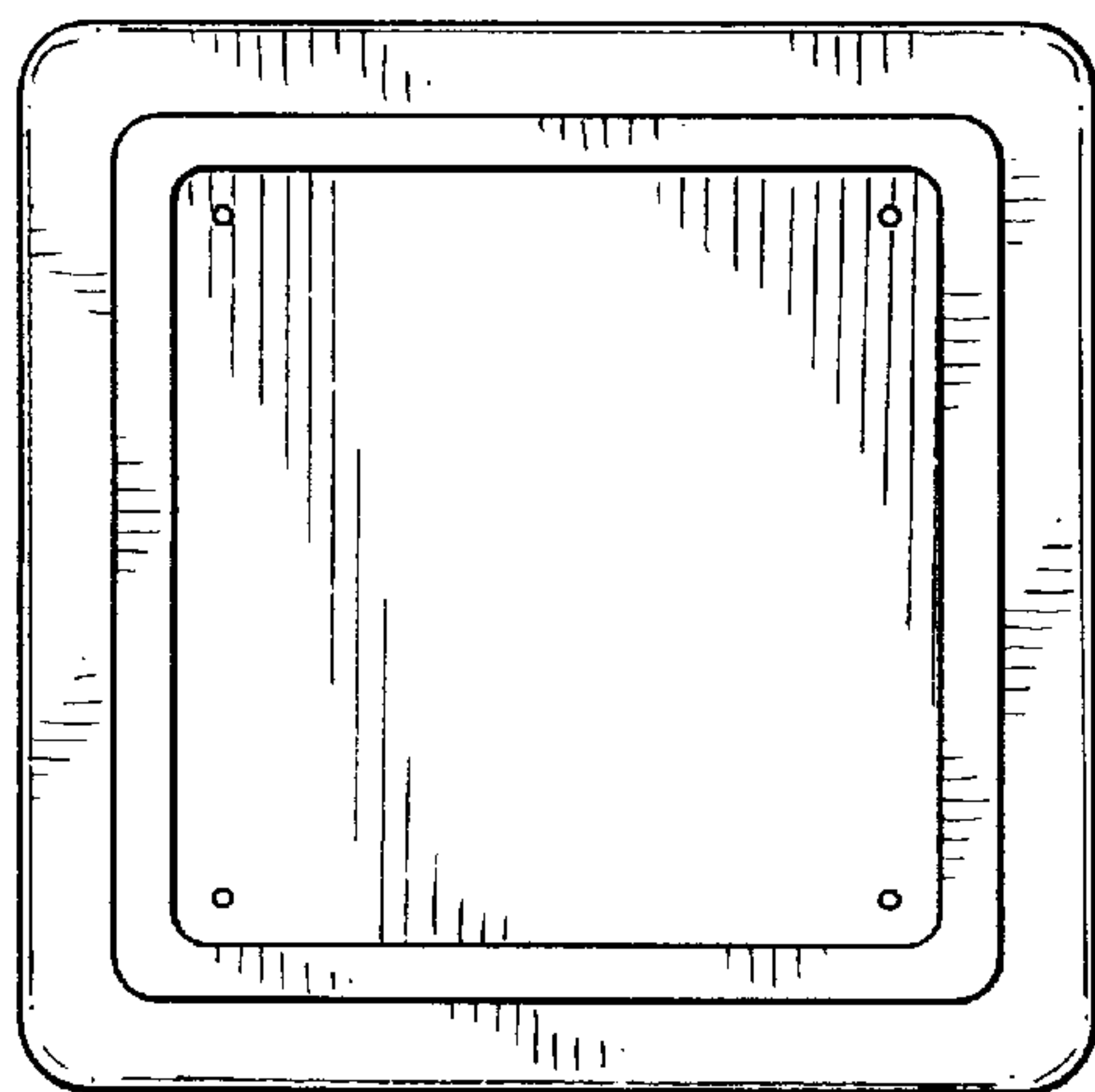


FIG. 4

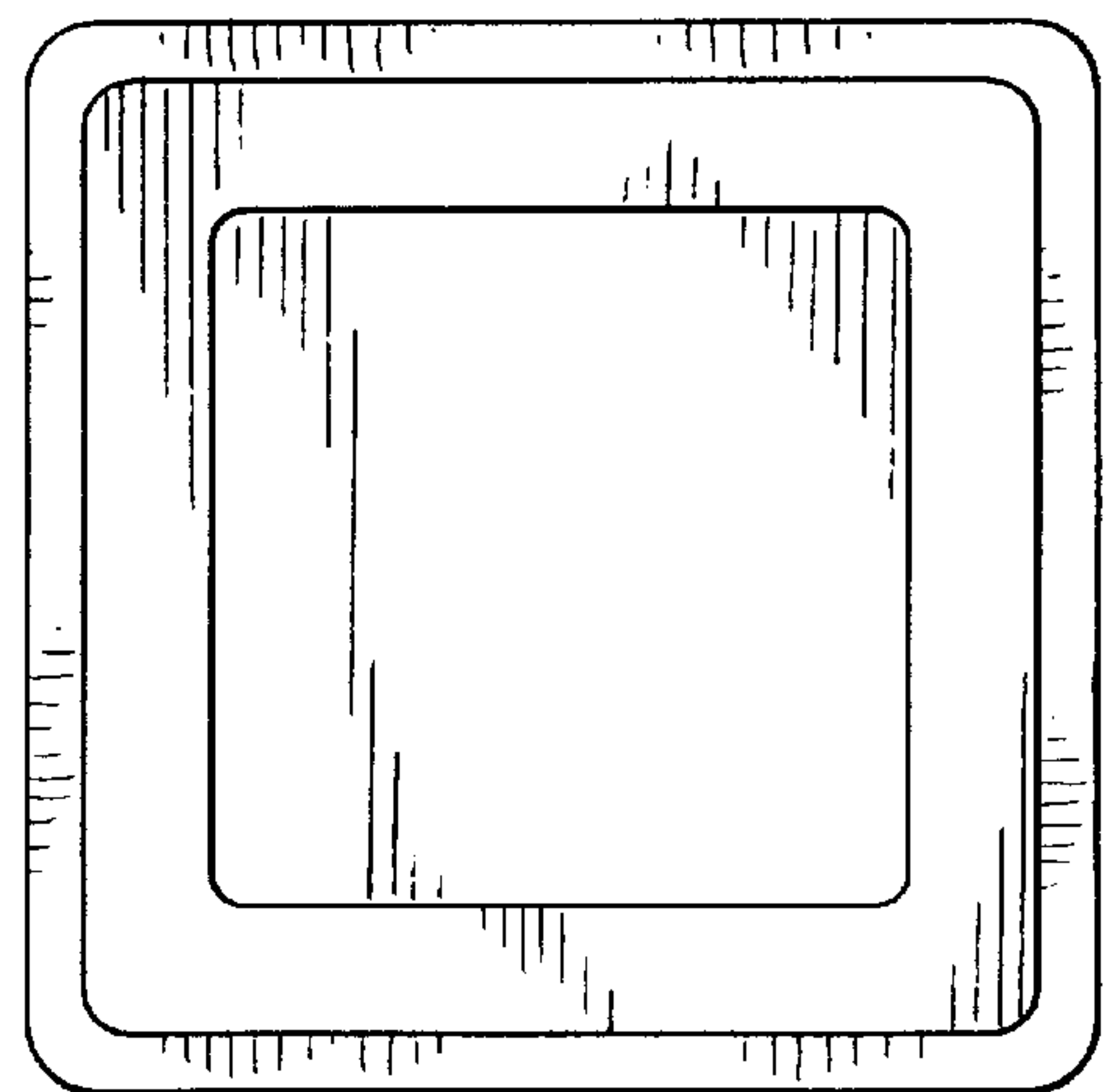


FIG. 5

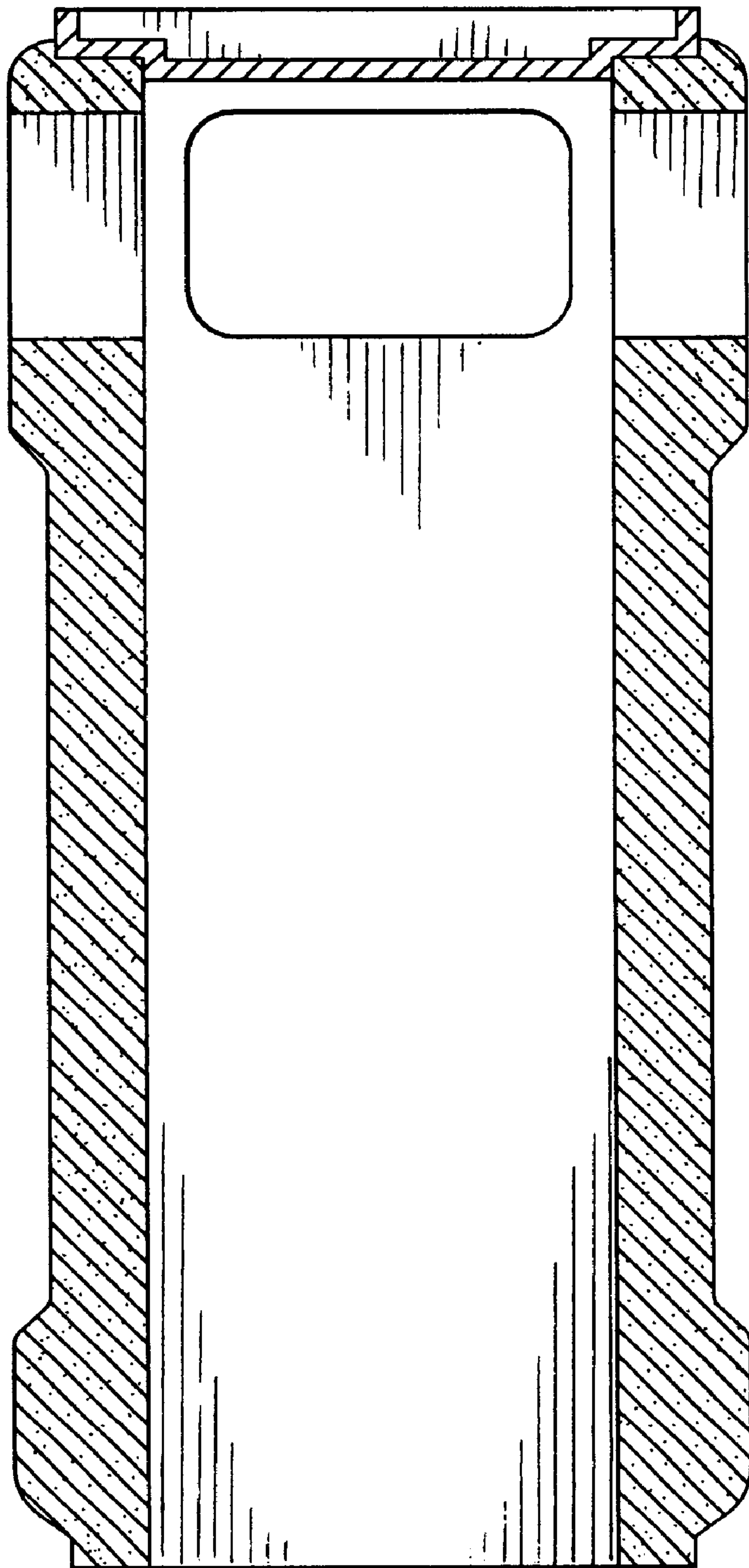


FIG. 6