



US00D446370S

(12) **United States Design Patent**
Avila Adikimenakis et al.

(10) **Patent No.:** **US D446,370 S**
(45) **Date of Patent:** **** Aug. 7, 2001**

(54) **DISH DRAINER**

(76) Inventors: **Corazon Avila Adikimenakis**, 21-63
27th St., Apt. 1; **Gloria Avila**, 20-63
29th St., Apt. 2, both of Astoria, NY
(US) 11105; **Rodolfo A de la Cruz**,
238 Terrace Ave., Jersey City, NJ (US)
07307

(**) Term: **14 Years**

(21) Appl. No.: **29/116,411**

(22) Filed: **Jan. 3, 2000**

(51) **LOC (7) Cl.** **07-05**

(52) **U.S. Cl.** **D32/56**

(58) **Field of Search** D32/55, 56; 4/637,
4/656, 654; 220/571, 572, 487; 211/41.3,
85.25

(56) **References Cited**

U.S. PATENT DOCUMENTS

D. 288,374 * 2/1987 Ikeda D32/56

D. 292,134 * 9/1987 McDaniel D32/56
D. 396,913 * 8/1998 Forbrich D32/56
D. 418,956 * 1/2000 Hampshire D32/56
1,185,677 * 6/1916 Jargstorf 211/41.3

* cited by examiner

Primary Examiner—Robin V. Taylor
(74) *Attorney, Agent, or Firm*—Carl C. Kling

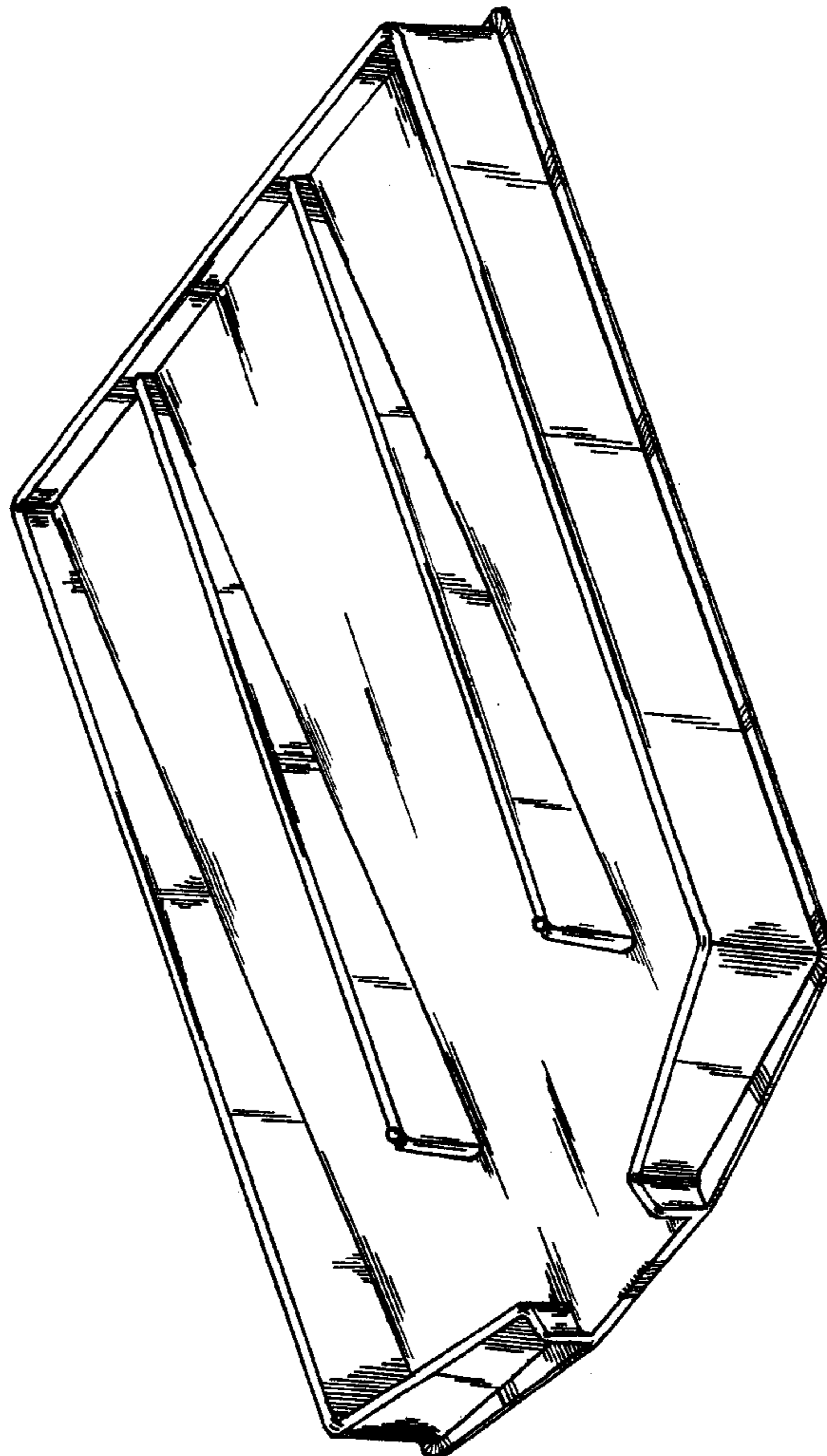
(57) **CLAIM**

The ornamental design for a dish drainer, as shown.

DESCRIPTION

FIG. 1 is a perspective view of the dish drainer.
FIG. 2 is a plan view.
FIG. 3 is a side elevation view.
FIG. 4 is a side elevation view from the side opposite that
of FIG. 3.
FIG. 5 is a bottom plan view.
FIG. 6 is a front elevation view; and,
FIG. 7 is a rear elevation view.

1 Claim, 3 Drawing Sheets



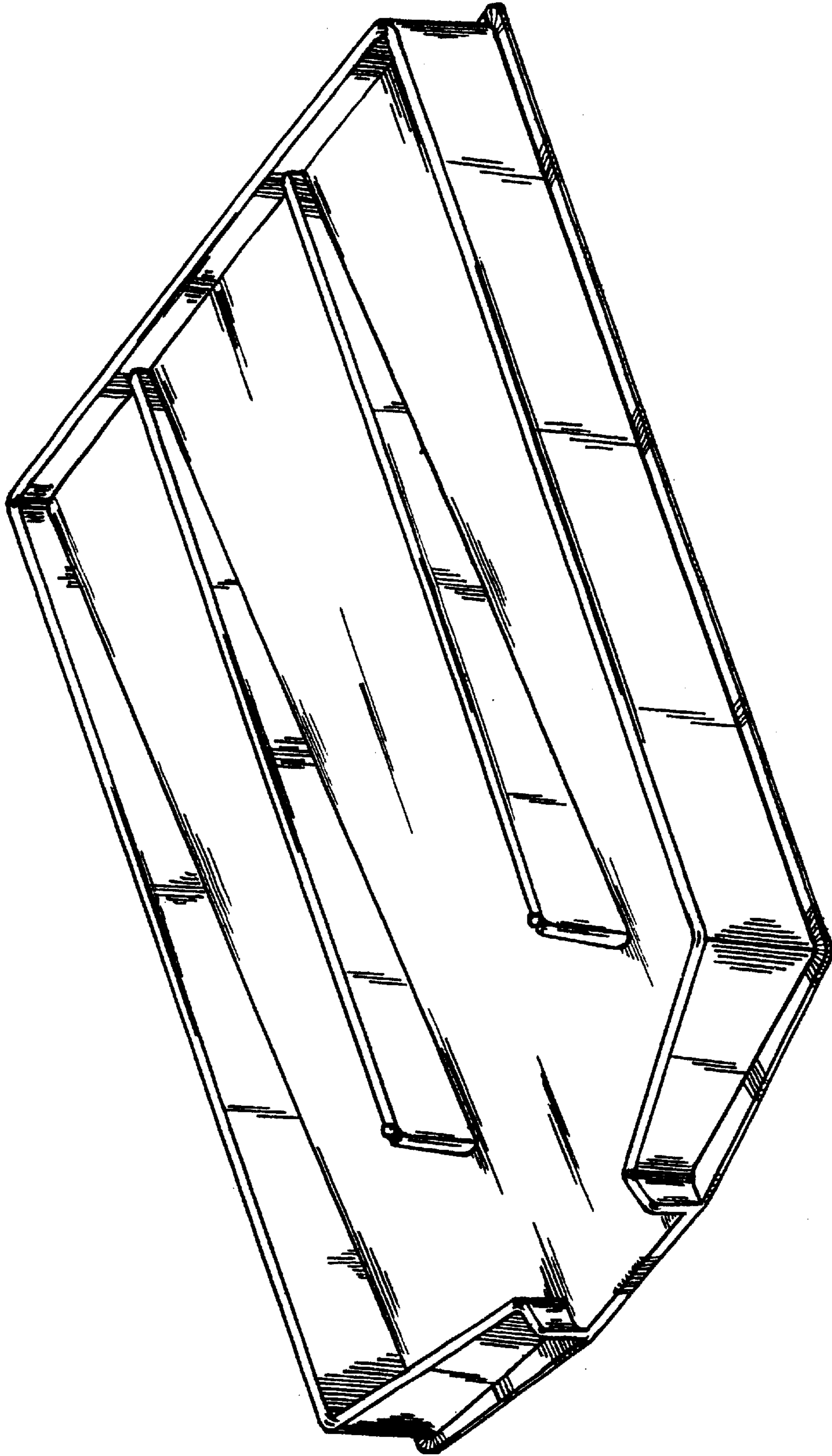


Fig. 1

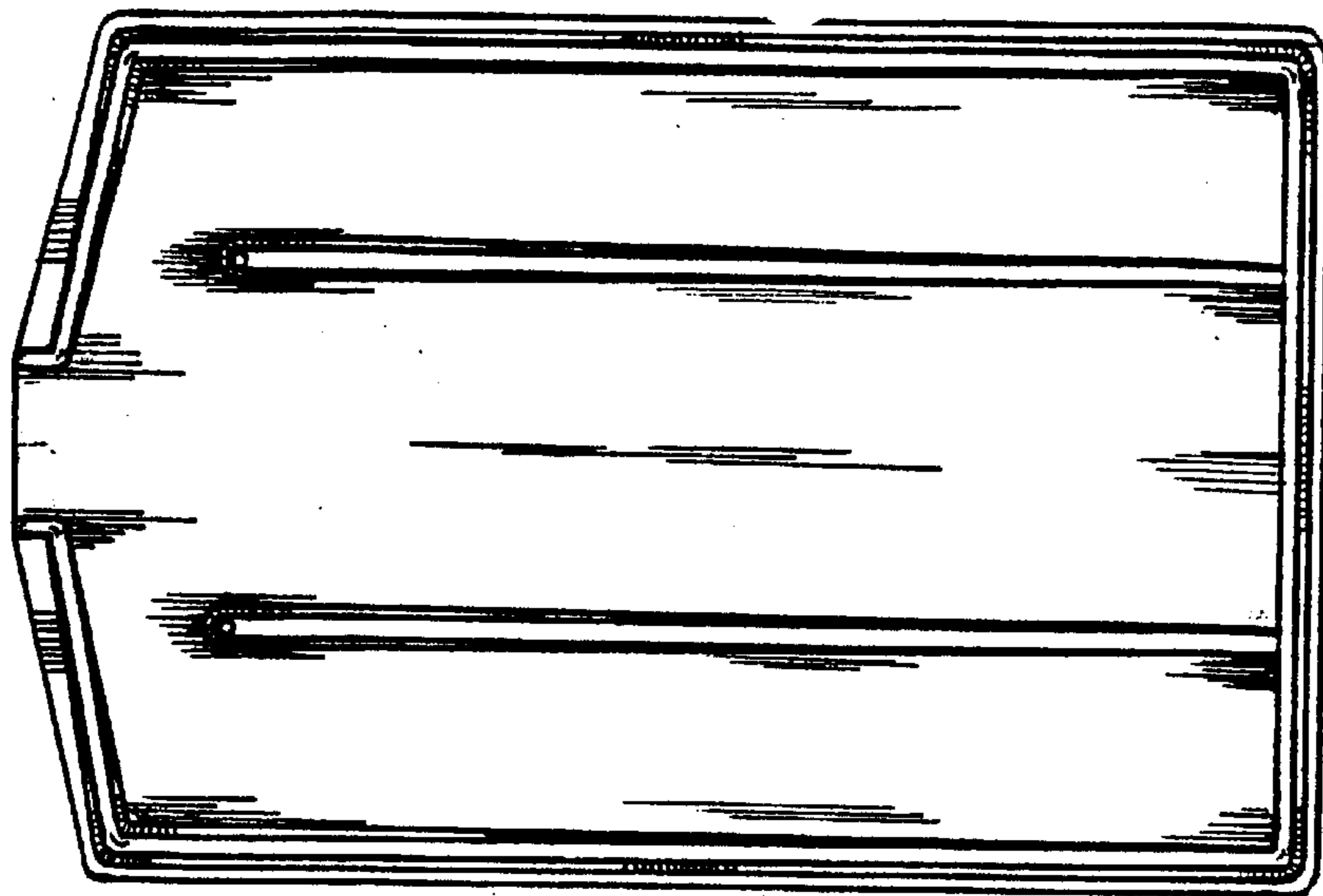


Fig. 2

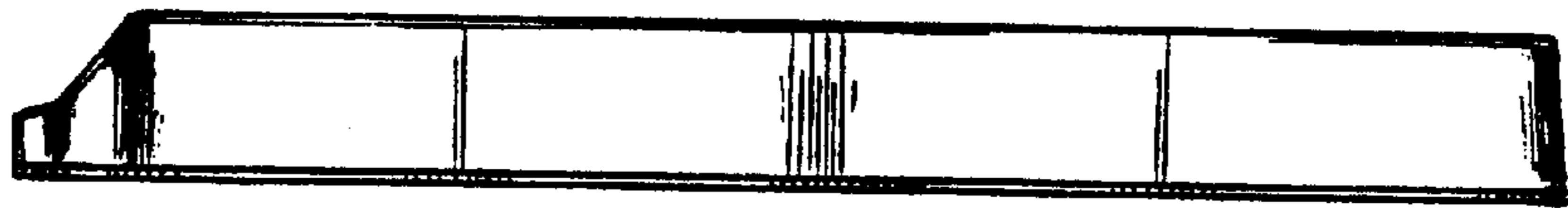


Fig. 3

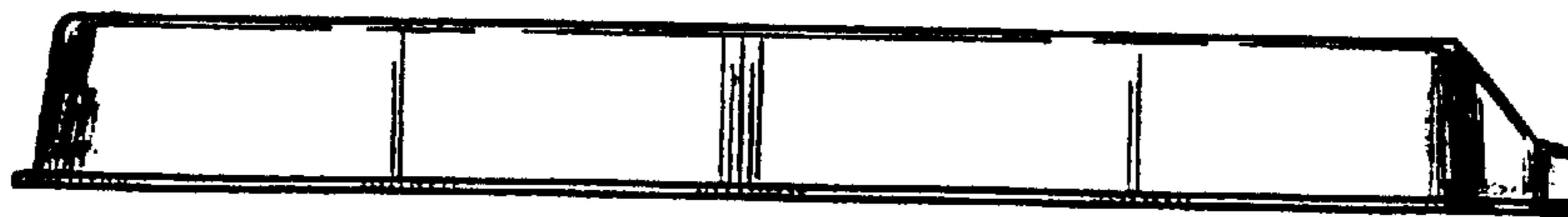


Fig. 4

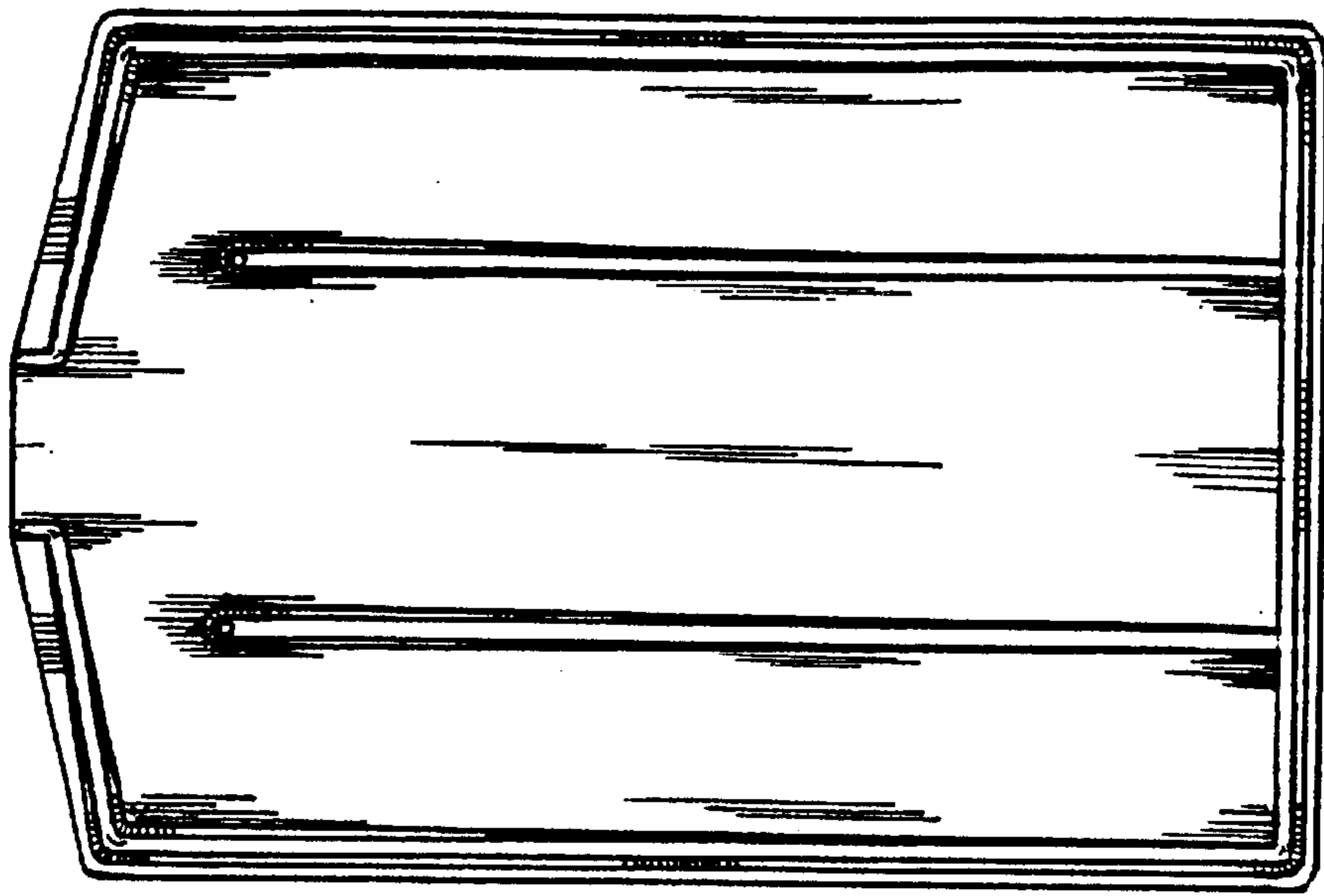


Fig. 5

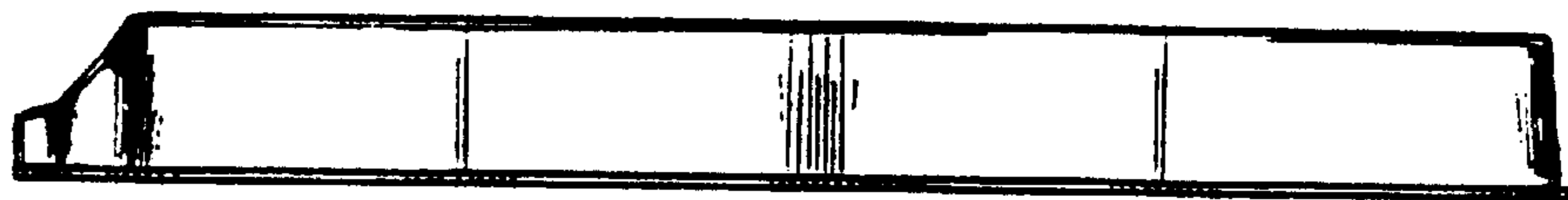


Fig. 6



Fig. 7