



US00D446362S

(12) **United States Design Patent**
Choi et al.

(10) **Patent No.:** **US D446,362 S**

(45) **Date of Patent:** **** Aug. 7, 2001**

(54) **NON SKID PET BOWL**

(75) Inventors: **Yoon Ho Choi**, Seoul (KR); **Jonathan Willinger**, Tenafly, NJ (US)

(73) Assignee: **JW Pet Company, Inc.**, Hasboruck Heights, NJ (US)

(**) Term: **14 Years**

(21) Appl. No.: **29/133,374**

(22) Filed: **Nov. 29, 2000**

(51) **LOC (7) Cl.** **30-03**

(52) **U.S. Cl.** **D30/129**

(58) **Field of Search** D30/128, 129, D30/121-122, 130-133; 119/71, 51.13, 51.11, 52.01, 51.01, 60, 61, 77, 53.01, 51.05; 220/8, 529; D7/538-548, 602, 629

(56) **References Cited**

U.S. PATENT DOCUMENTS

D. 313,486 * 1/1991 Conner D30/129

2,928,372 * 3/1960 Farley 119/61
3,498,268 * 3/1970 Sleith et al. 119/61
3,664,304 * 5/1972 Carter 119/61
5,979,361 * 11/1999 Willinger 119/61

* cited by examiner

Primary Examiner—Pamela Burgess

(74) *Attorney, Agent, or Firm*—Helfgott & Karas, PC

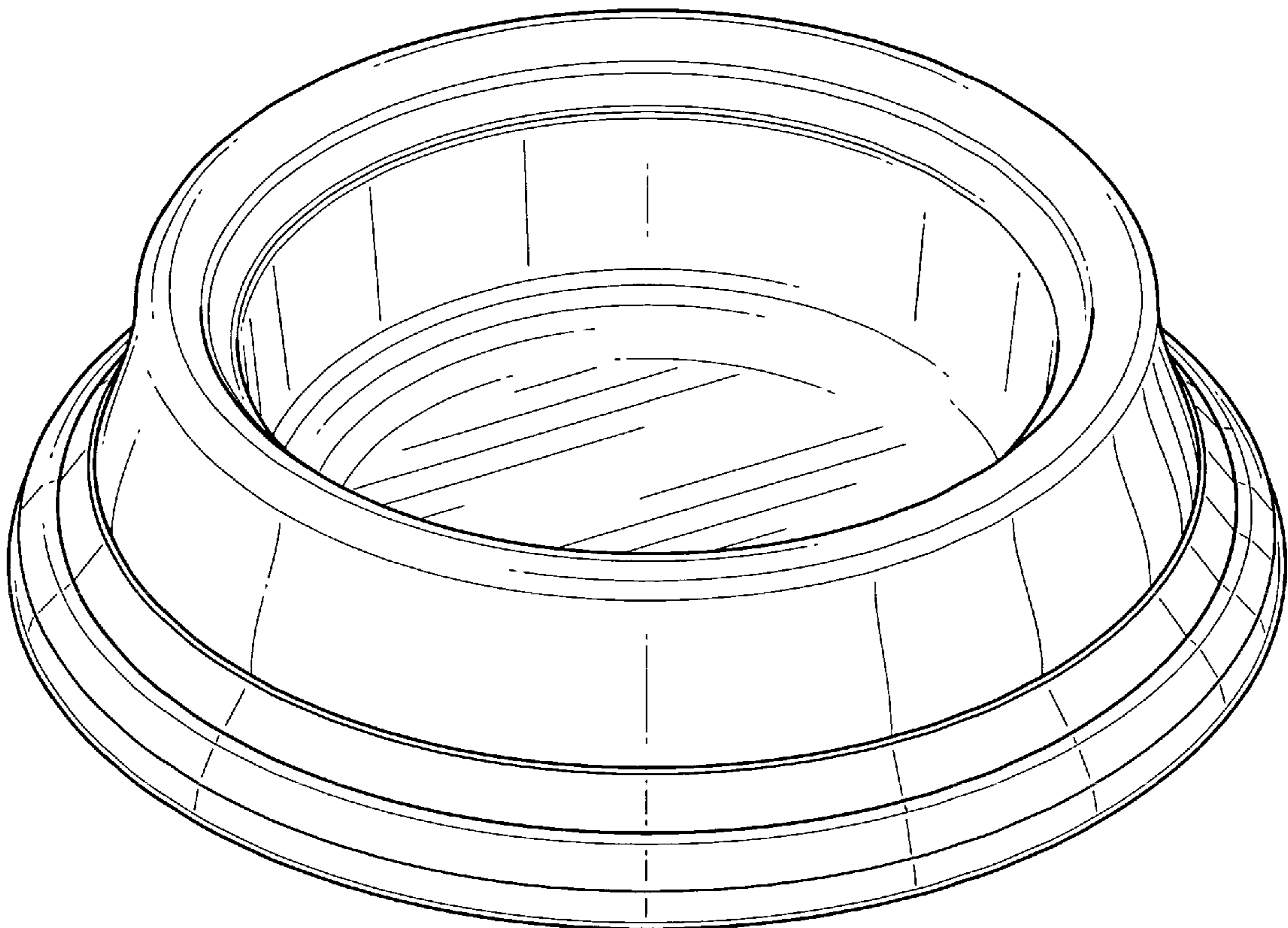
(57) **CLAIM**

The ornamental design for a non skid pet bowl, as shown and described.

DESCRIPTION

FIG. 1 is a perspective view of a non skid pet bowl showing my new design;
FIG. 2 is a front elevation view thereof;
FIG. 3 is a top plan view thereof;
FIG. 4 is a bottom plan view thereof; and,
FIG. 5 is a cross sectional view taken through a diameter thereof.

1 Claim, 5 Drawing Sheets



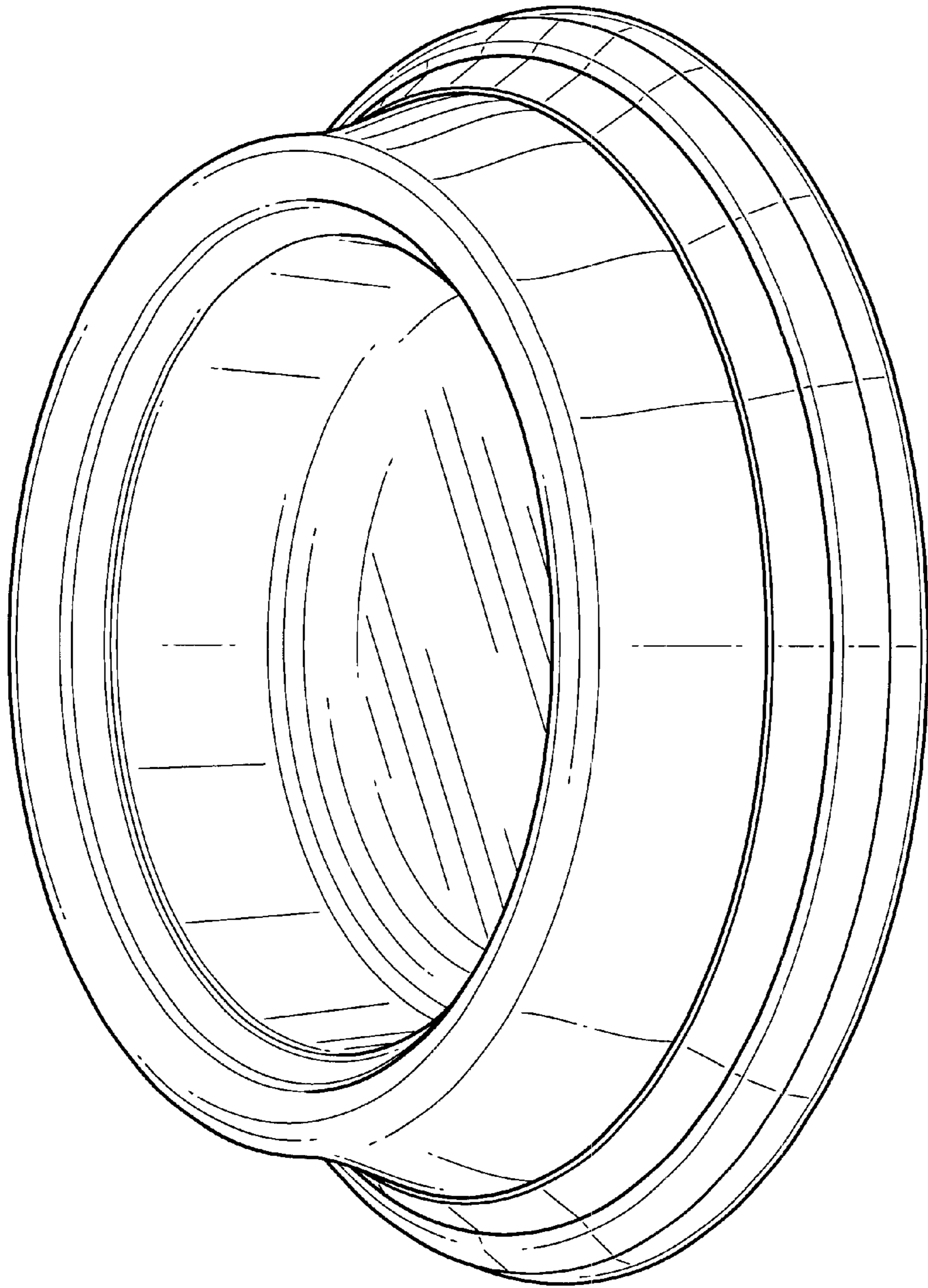


FIG. 1

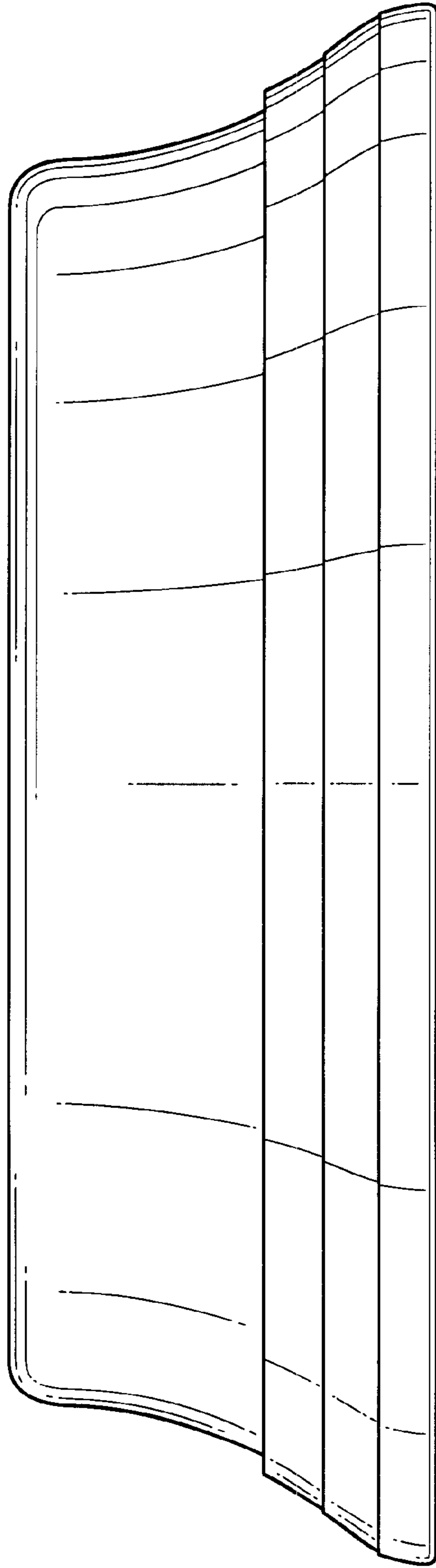


FIG. 2

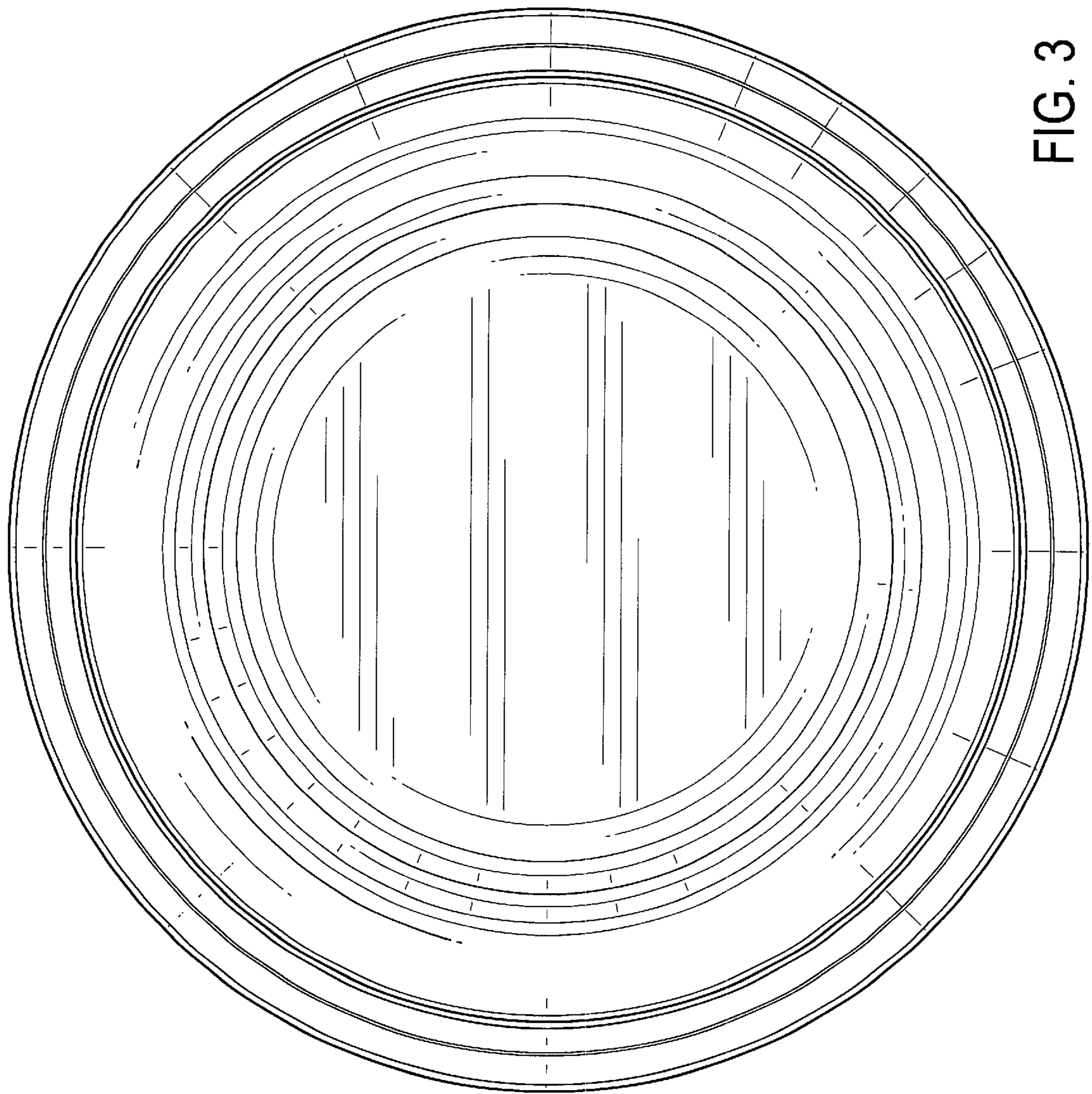


FIG. 3

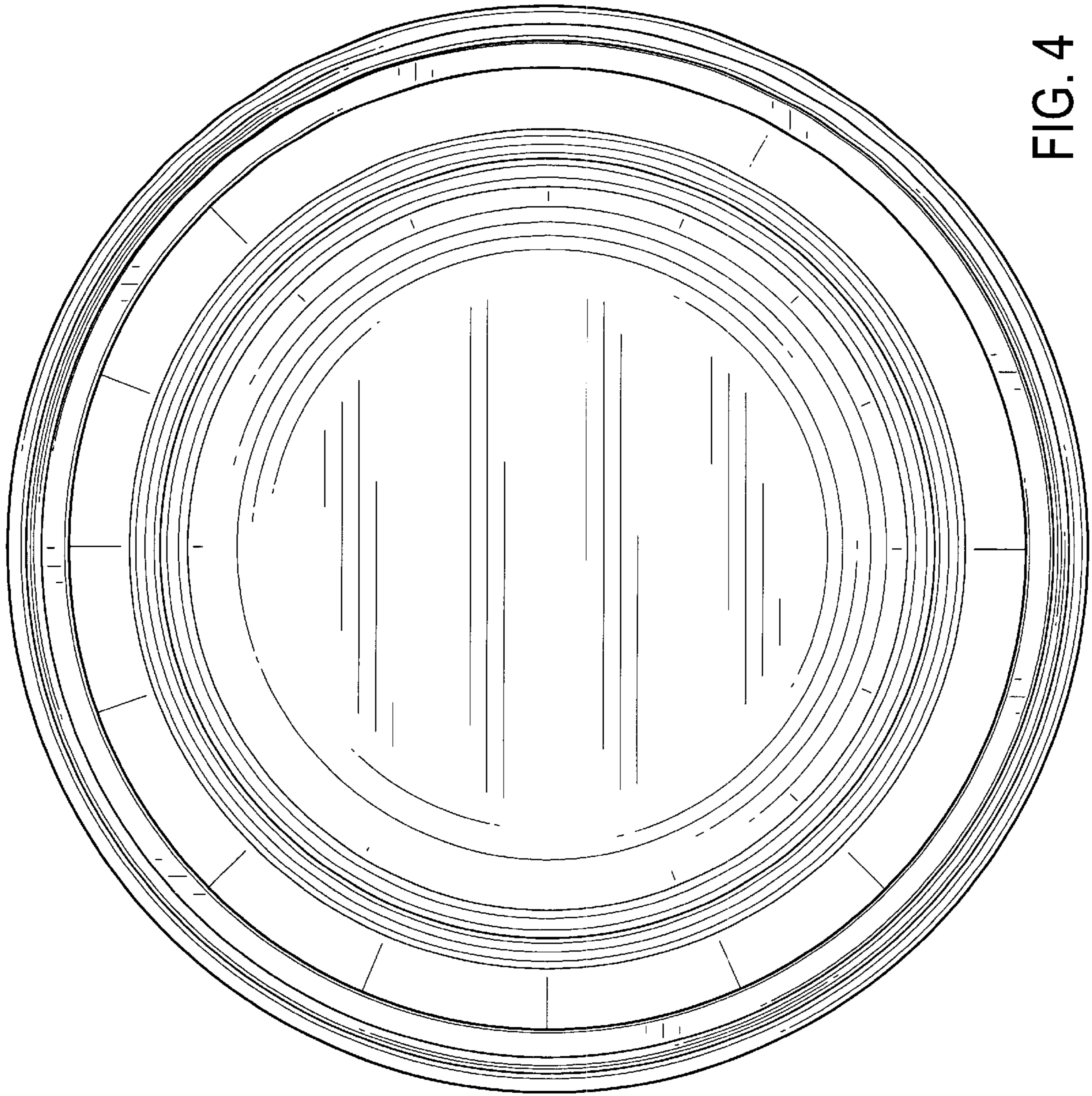


FIG. 4

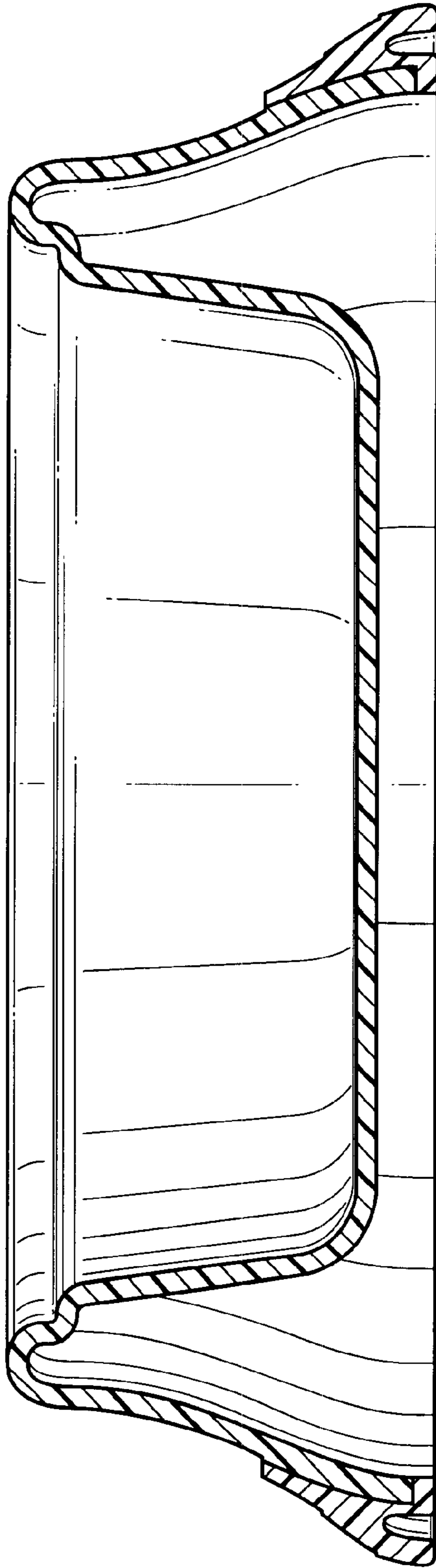


FIG. 5