



US00D446350S

(12) **United States Design Patent**
Picozza

(10) **Patent No.:** **US D446,350 S**

(45) **Date of Patent:** **** Aug. 7, 2001**

(54) **HAIR DRYER WITH A NIGHT LIGHT**

6,026,590 * 2/2000 Picozza et al. 34/90

(75) Inventor: **Augusto A. Picozza**, Crystal Lake, IL
(US)

* cited by examiner

Primary Examiner—Paula A. Mortimer

(73) Assignee: **Sunbeam Products, Inc.**, Boca Raton,
FL (US)

(74) *Attorney, Agent, or Firm*—Kramer Levin Naftalis &
Frankel, LLP.

(**) Term: **14 Years**

(57) **CLAIM**

The ornamental design for a hair dryer with a night light, as
shown and described.

(21) Appl. No.: **29/090,583**

DESCRIPTION

(22) Filed: **Jul. 10, 1998**

(51) **LOC (7) Cl.** **28-03**

(52) **U.S. Cl.** **D28/15; D28/12**

(58) **Field of Search** D28/12, 13-16,
D28/17, 18; 34/90, 96, 97, 98, 99, 100;
D26/26, 51, 54; 392/380, 384, 385; 219/222,
483, 487, 502, 506; 132/229, 230

FIG. 1 is a perspective view of the preferred embodiment of
a hair dryer with a night light showing my new ornamental
design;

FIG. 2 is a side view of the preferred embodiment of FIG.
1;

FIG. 3 is a top plan view of the preferred embodiment of
FIG. 1;

FIG. 4 is a bottom plan view of the bottom of the preferred
embodiment of FIG. 1;

FIG. 5 is a front elevational view of the preferred embodi-
ment of FIG. 1; and,

FIG. 6 is a rear elevational view of the preferred embodi-
ment of FIG. 1.

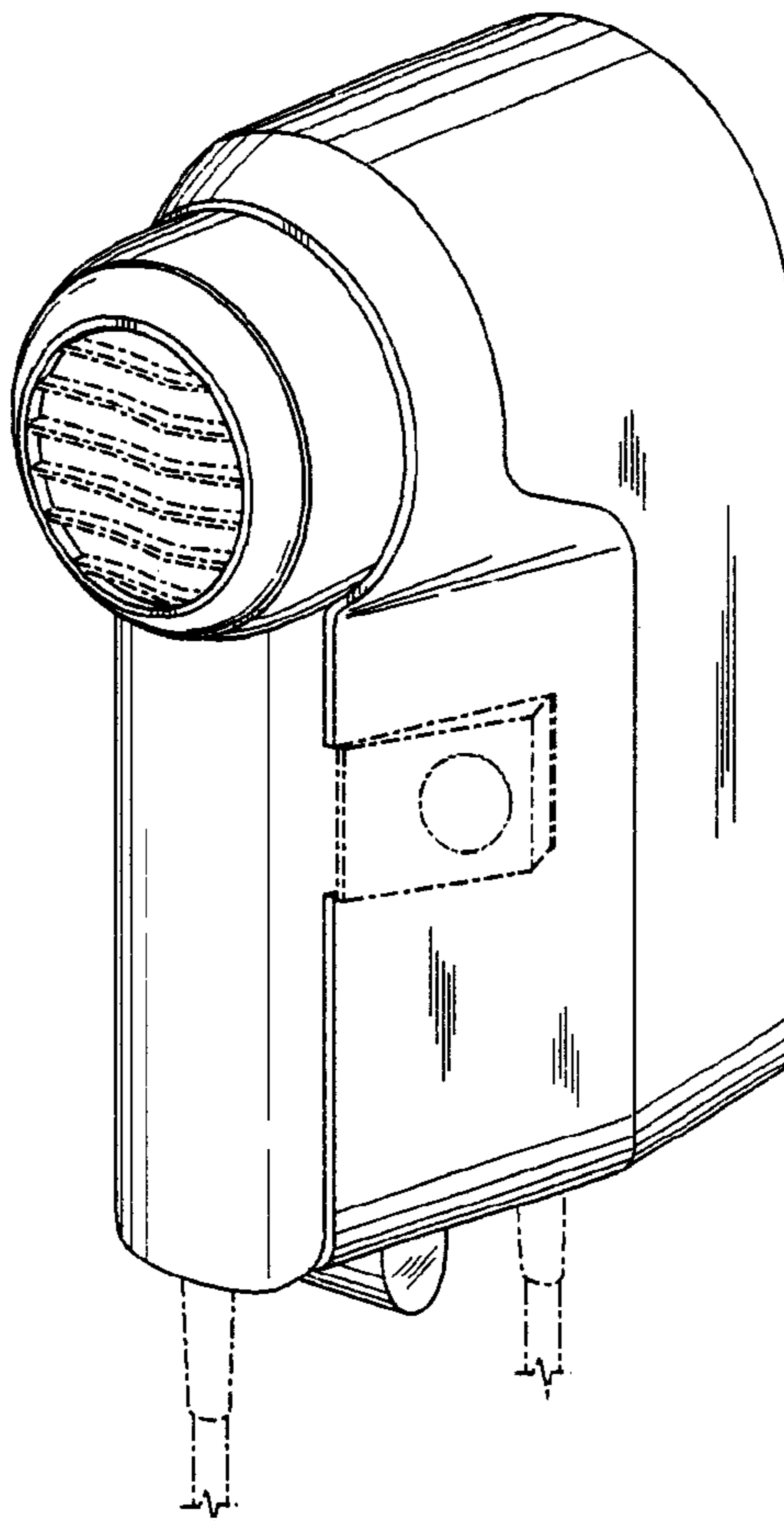
The broken lines in FIGS. 1, 2, 4, 5, and 6 are for illustrative
purposes only and forms no part of the claimed design.

(56) **References Cited**

U.S. PATENT DOCUMENTS

D. 253,253	*	10/1979	Rakocy	D28/13
D. 260,302	*	8/1981	Lacey	D28/15
D. 280,851	*	10/1985	Muller et al.	D28/12
D. 286,924	*	11/1986	Muller	D28/13
D. 345,818	*	4/1994	Froidevaux	D28/12

1 Claim, 6 Drawing Sheets



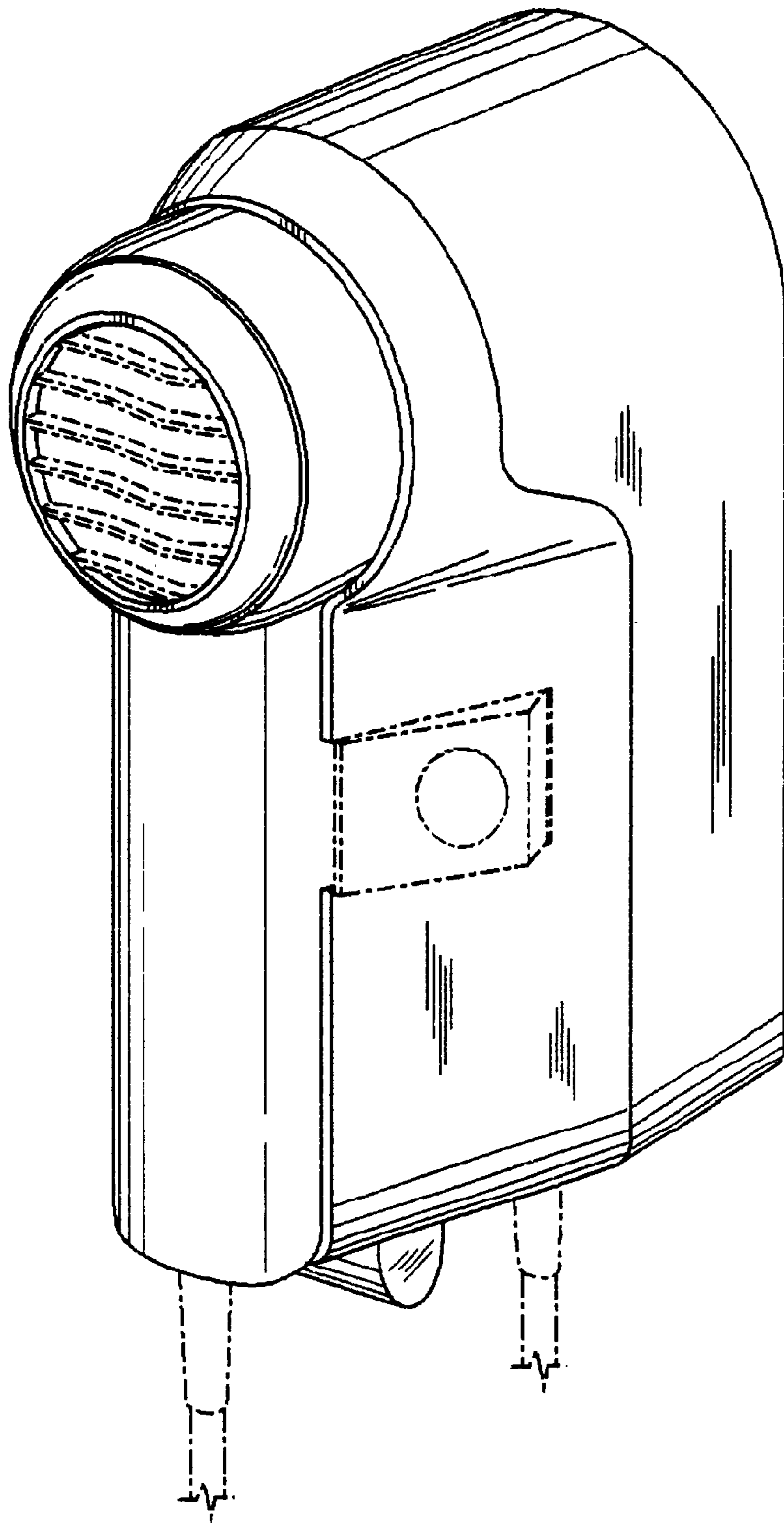


Fig. 1

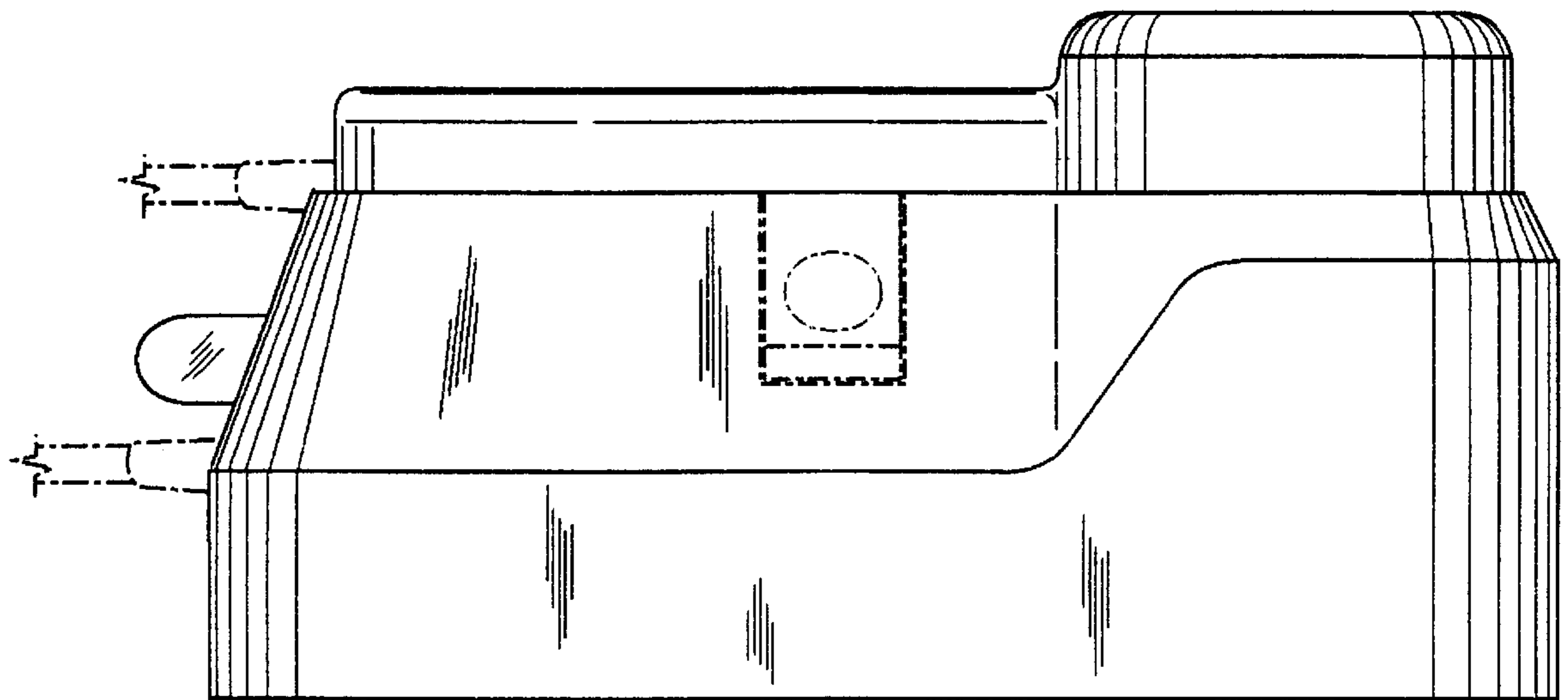


Fig. 2

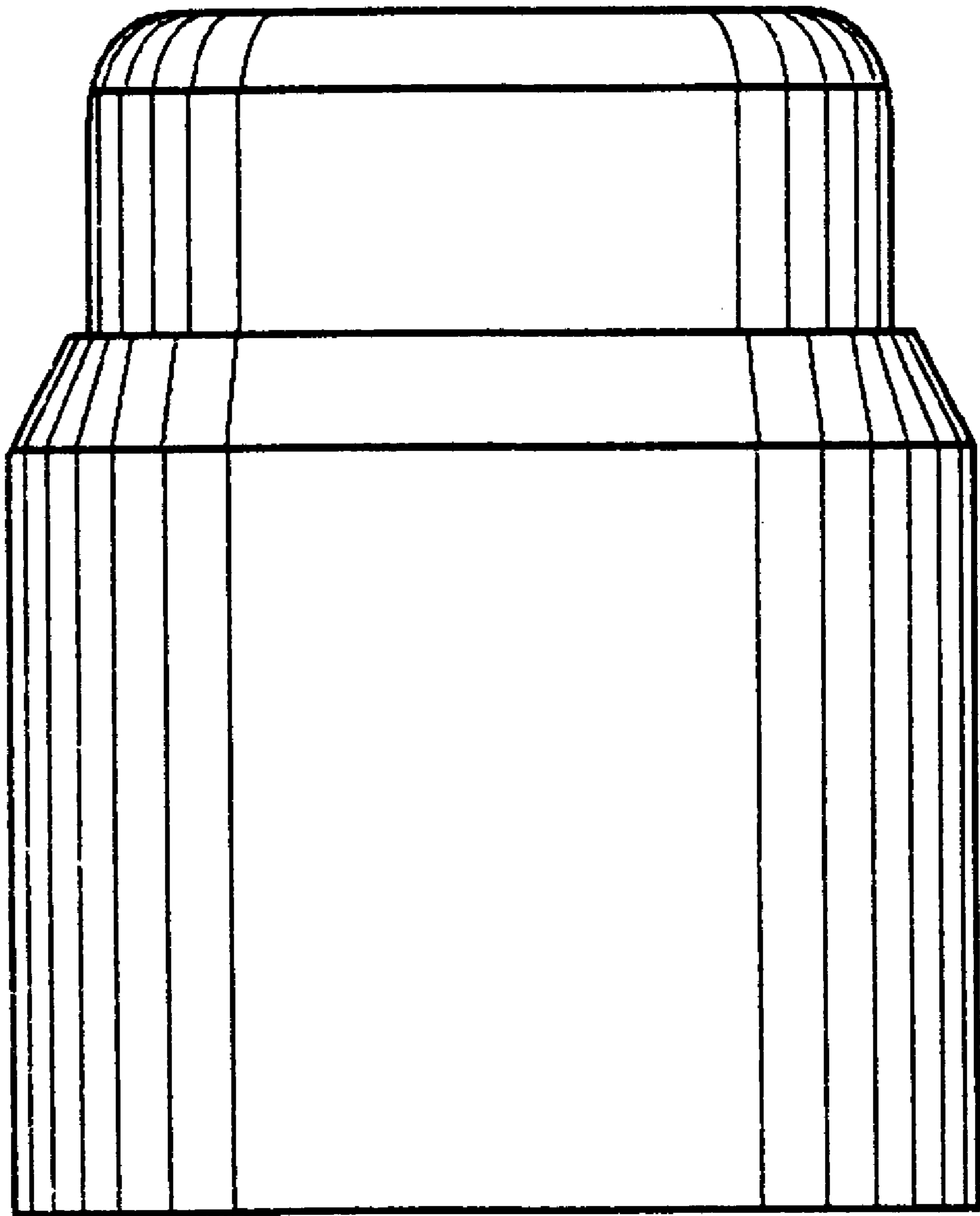


Fig. 3

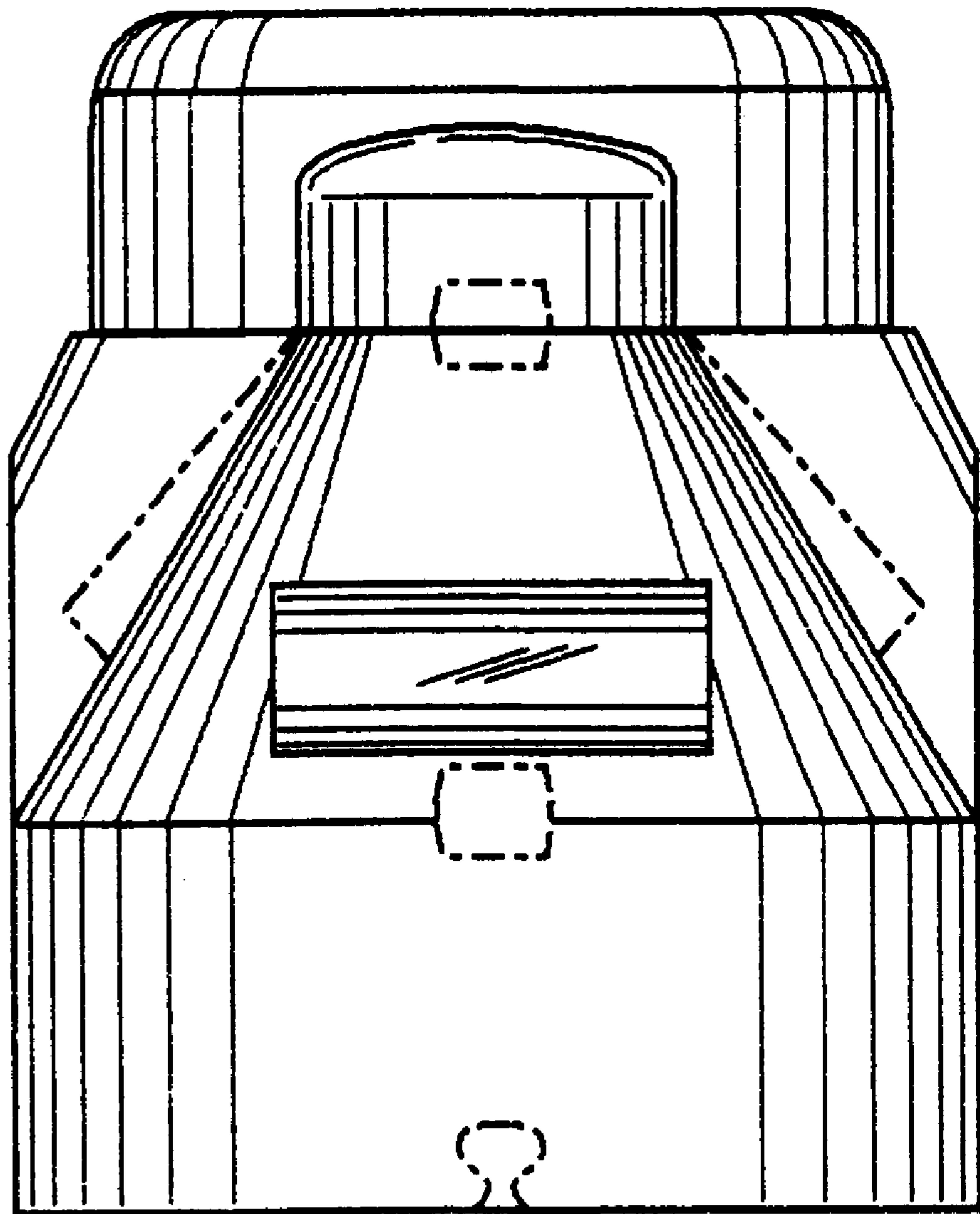


Fig. 4

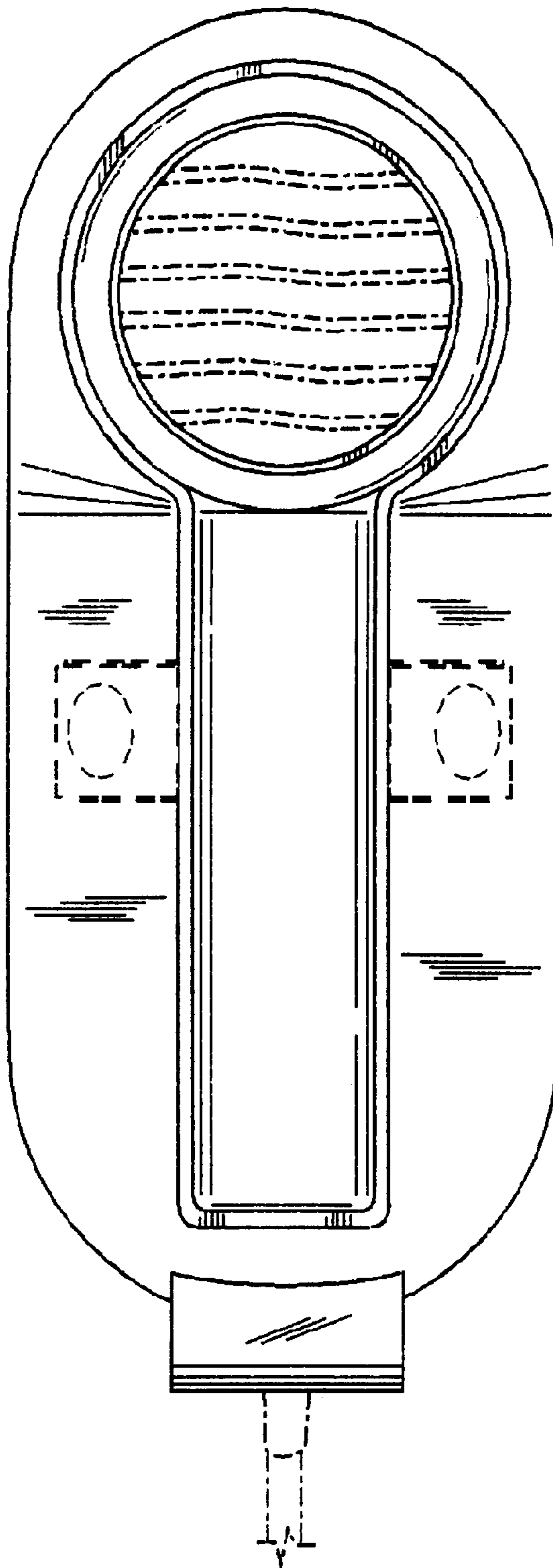


Fig. 5

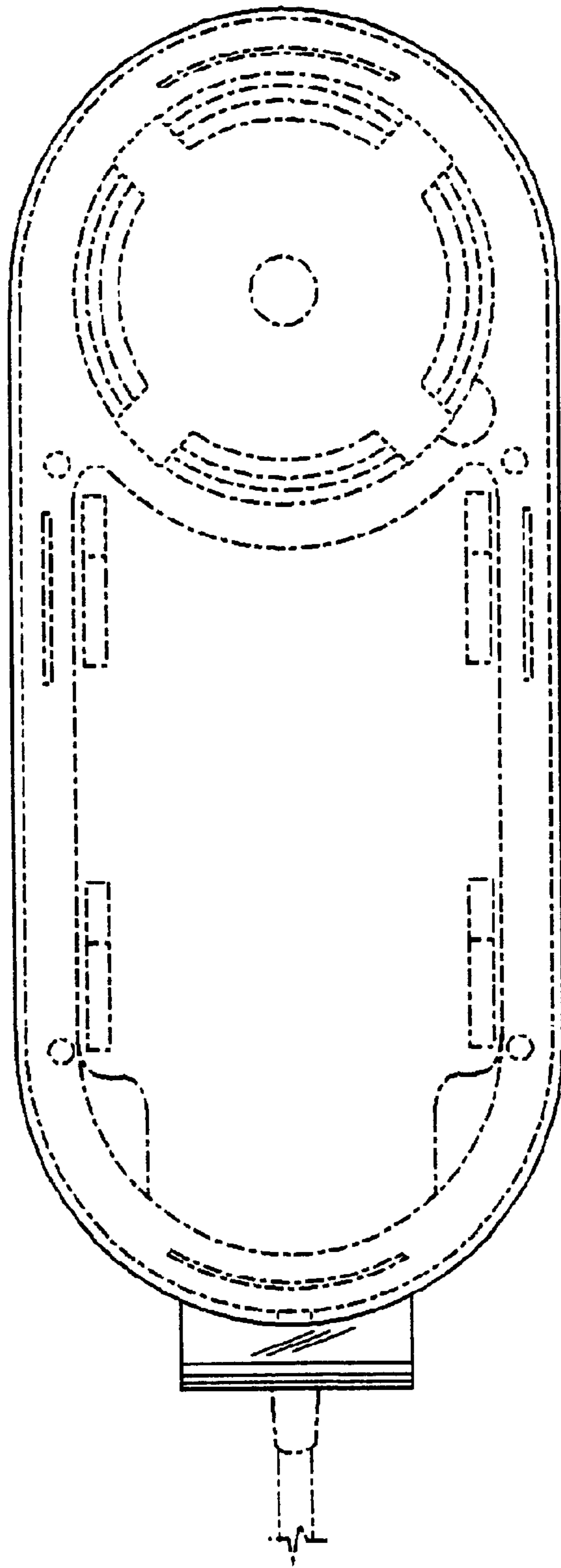


Fig. 6