



US00D446349S

(12) **United States Design Patent**
Sasso

(10) **Patent No.:** **US D446,349 S**

(45) **Date of Patent:** **** Aug. 7, 2001**

(54) **WALL HUNG HAIR DRIER**

(75) Inventor: **Pasquale Sasso, Saronno (IT)**

(73) Assignee: **Elite S.r.l., Milan (IT)**

(**) Term: **14 Years**

(21) Appl. No.: **29/094,425**

(22) Filed: **Oct. 1, 1998**

(30) **Foreign Application Priority Data**

Apr. 2, 1998 (IT) MI9800211

(51) **LOC (7) Cl.** **28-03**

(52) **U.S. Cl.** **D28/12**

(58) **Field of Search** D28/12, 15; 219/222;
34/98, 99, 100, 97; 392/380, 384, 381;
132/229, 230

(56) **References Cited**

U.S. PATENT DOCUMENTS

Re. 36,995 * 12/2000 Andis 34/97
D. 280,851 * 10/1985 Muller et al. D28/12
D. 292,237 * 10/1987 Rubin D28/12
D. 304,096 * 10/1989 Nithardt D28/12
D. 314,839 * 2/1991 Ho D28/12
D. 317,514 * 6/1991 Sasso D28/12
D. 345,818 * 4/1994 Froidevaux D28/12

D. 347,708 * 6/1994 Wang D28/12
4,700,049 * 10/1987 Rubin 392/381
6,026,590 * 2/2000 Picozza et al. 34/90

* cited by examiner

Primary Examiner—Paula A. Mortimer

(74) *Attorney, Agent, or Firm*—Sofer & Haroun, LLP

(57) **CLAIM**

I claim the ornamental design for a wall hung hair drier, as shown and described.

DESCRIPTION

FIG. 1 is a perspective view of a wall hung hair drier showing my new design;

FIG. 2 is a front elevational view of the wall hung hair drier as shown in FIG. 1;

FIG. 3 is a right elevational side view of the wall hung hair drier as shown in FIG. 1;

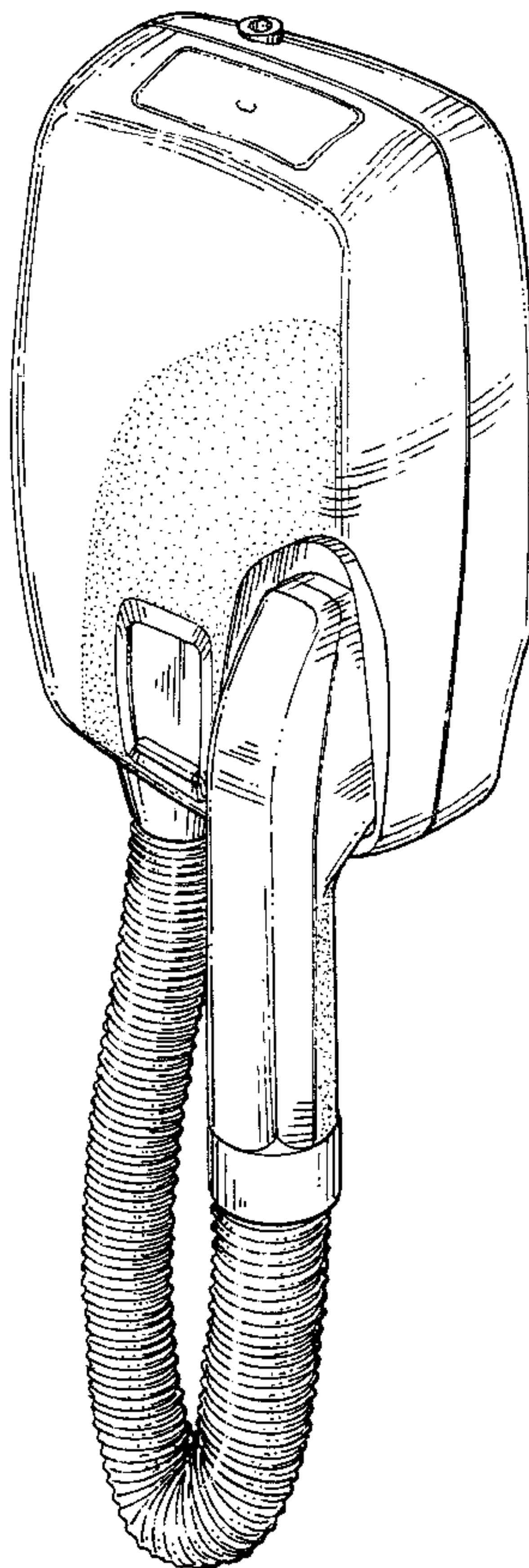
FIG. 4 is a left elevational side view of the wall hung hair drier as shown in FIG. 1;

FIG. 5 is a rear elevational view of the wall hung hair drier as shown in FIG. 1;

FIG. 6 is a top view of the wall hung hair drier as shown in FIG. 1; and,

FIG. 7 is a bottom view of the wall hung hair drier as shown in FIG. 1.

1 Claim, 4 Drawing Sheets



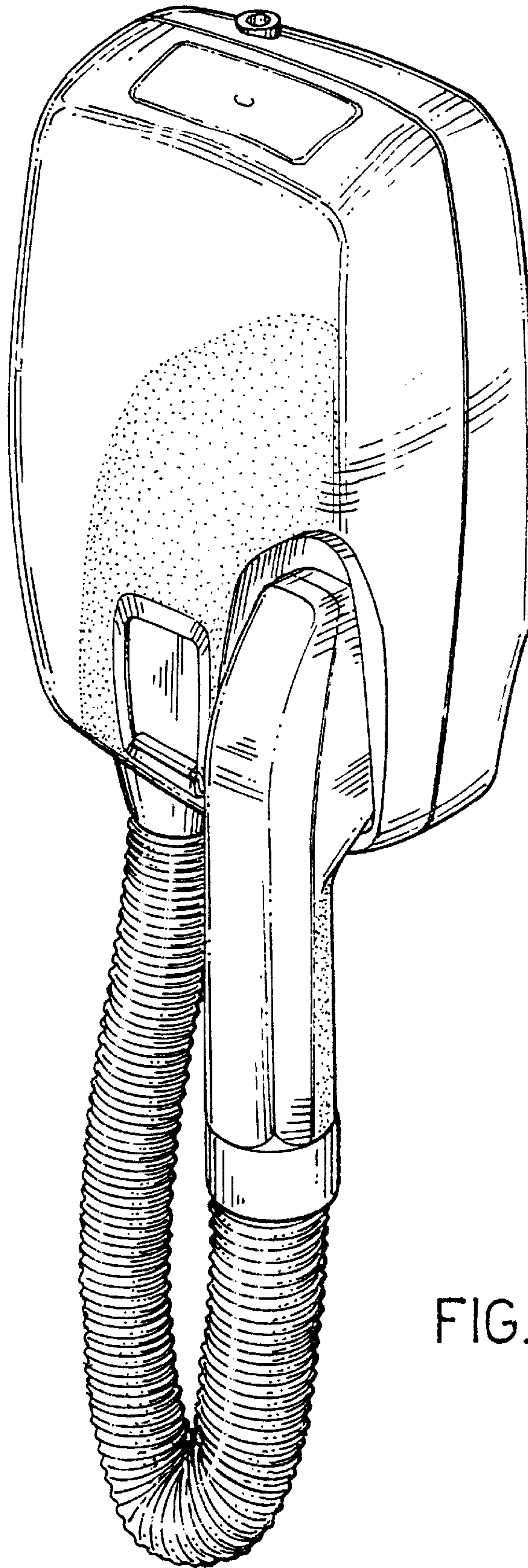


FIG.1

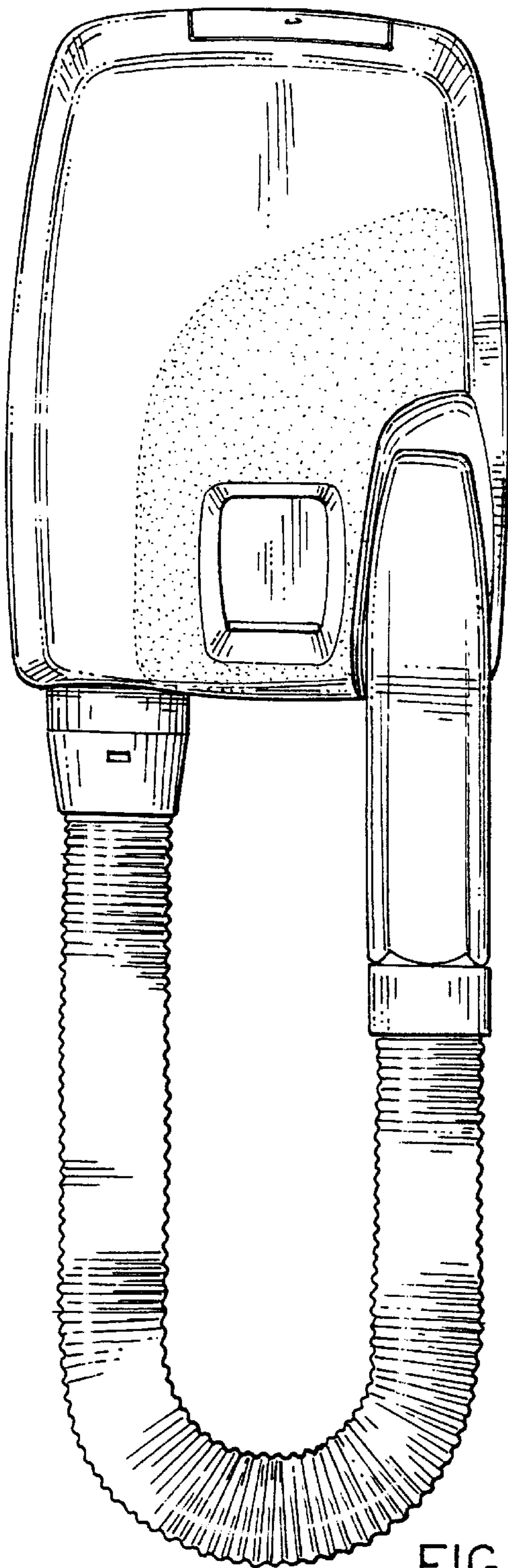


FIG. 2

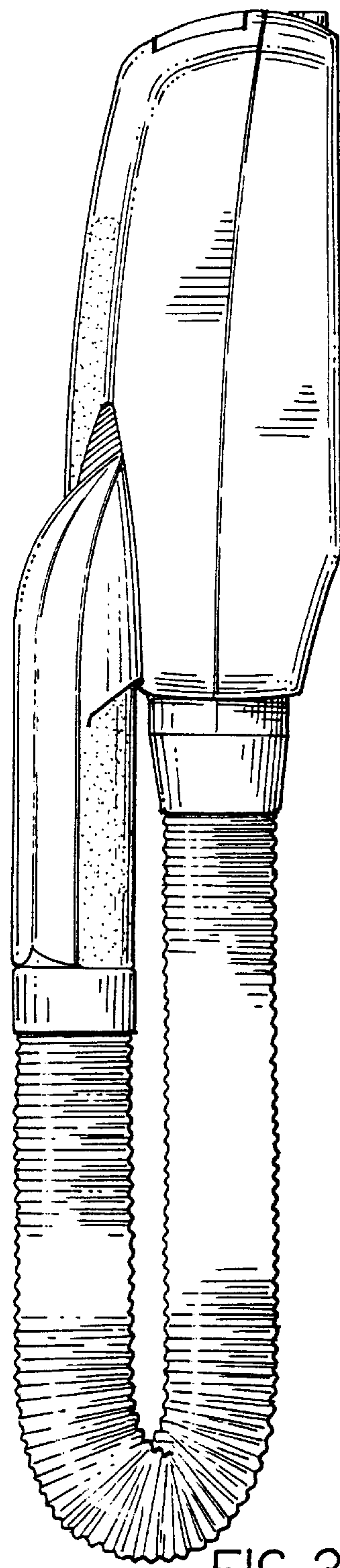


FIG. 3

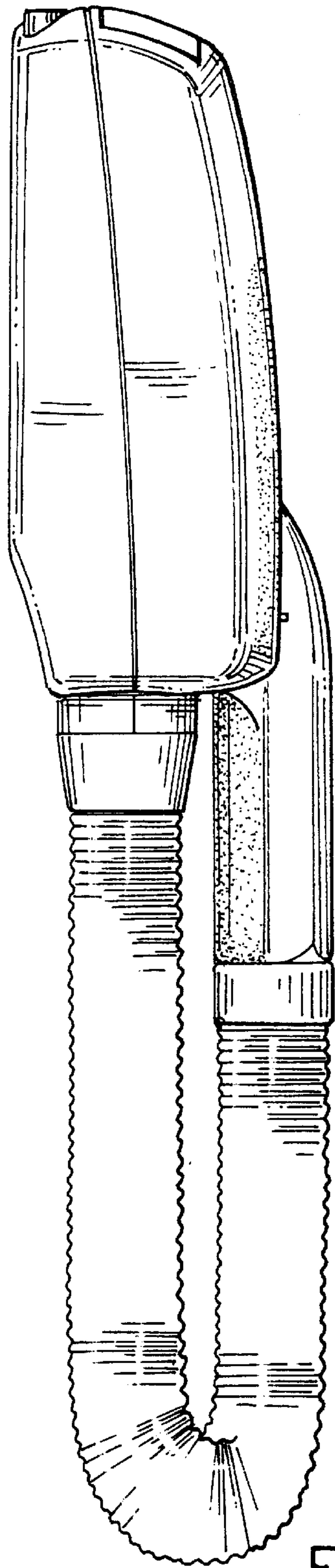


FIG. 4

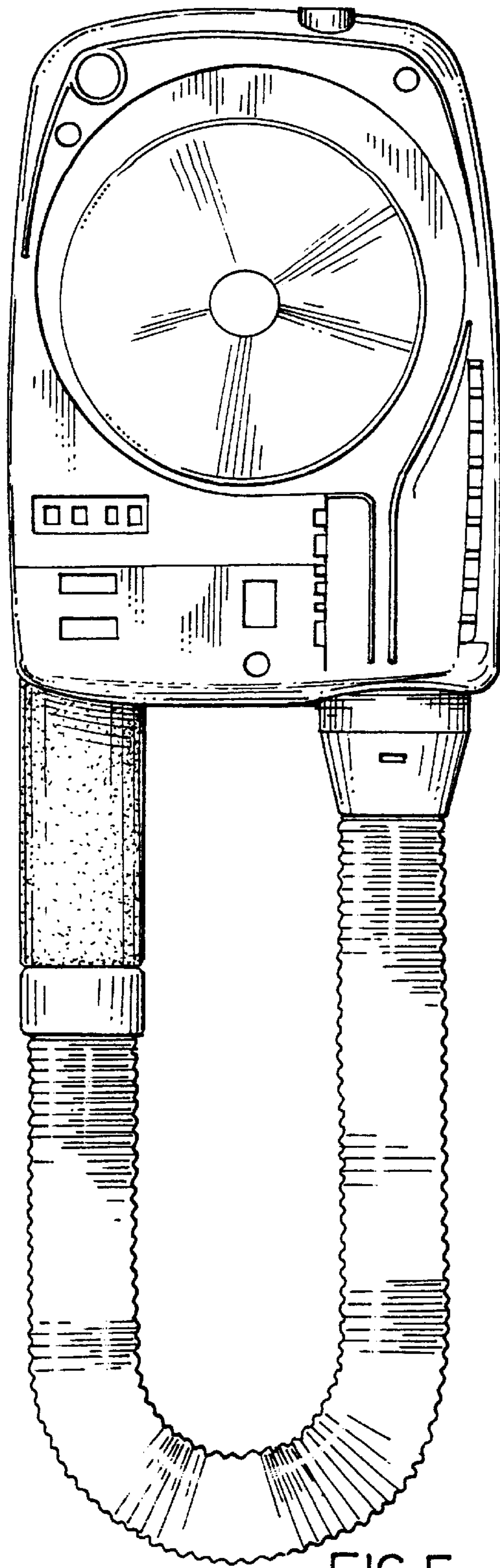


FIG. 5

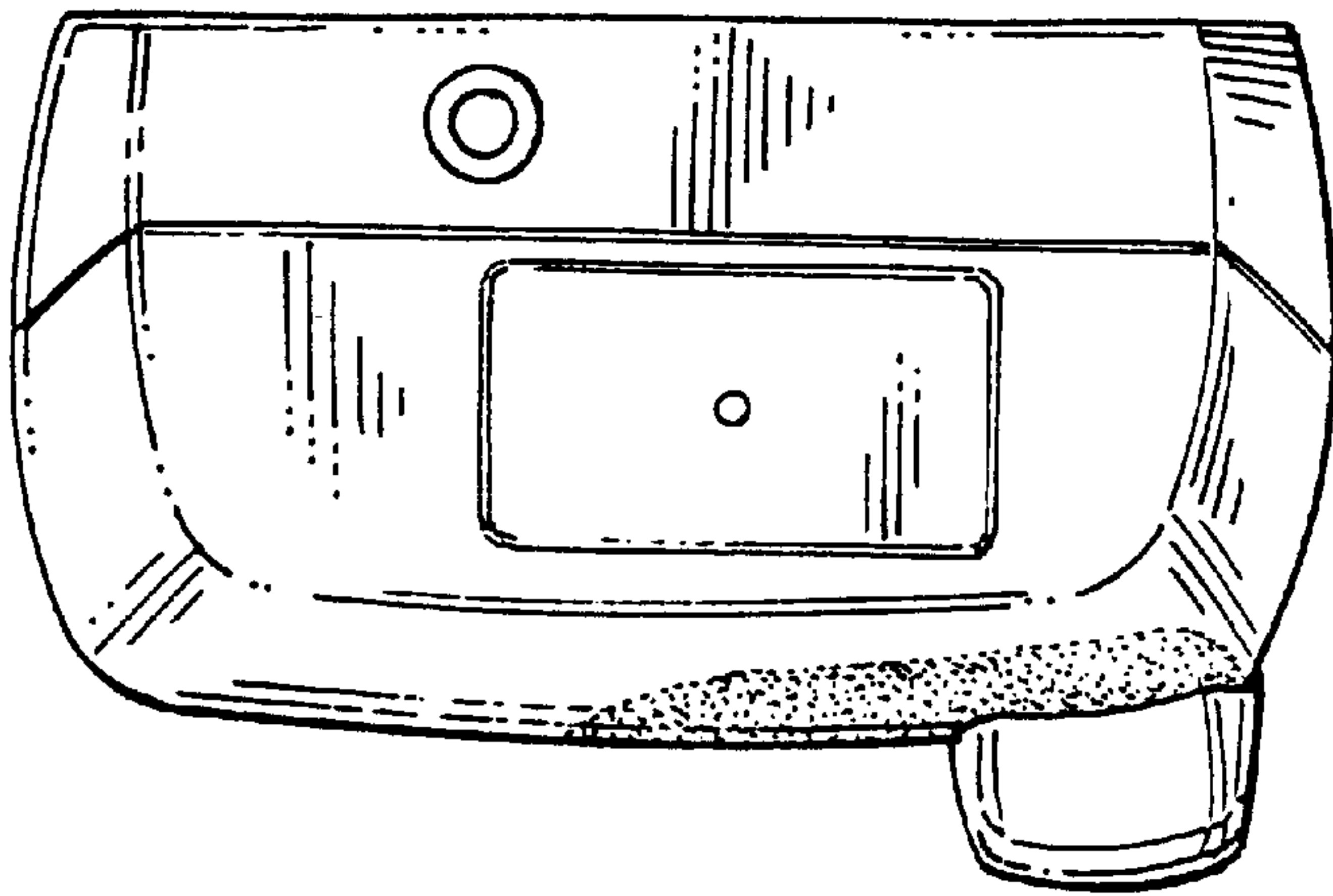


FIG. 6

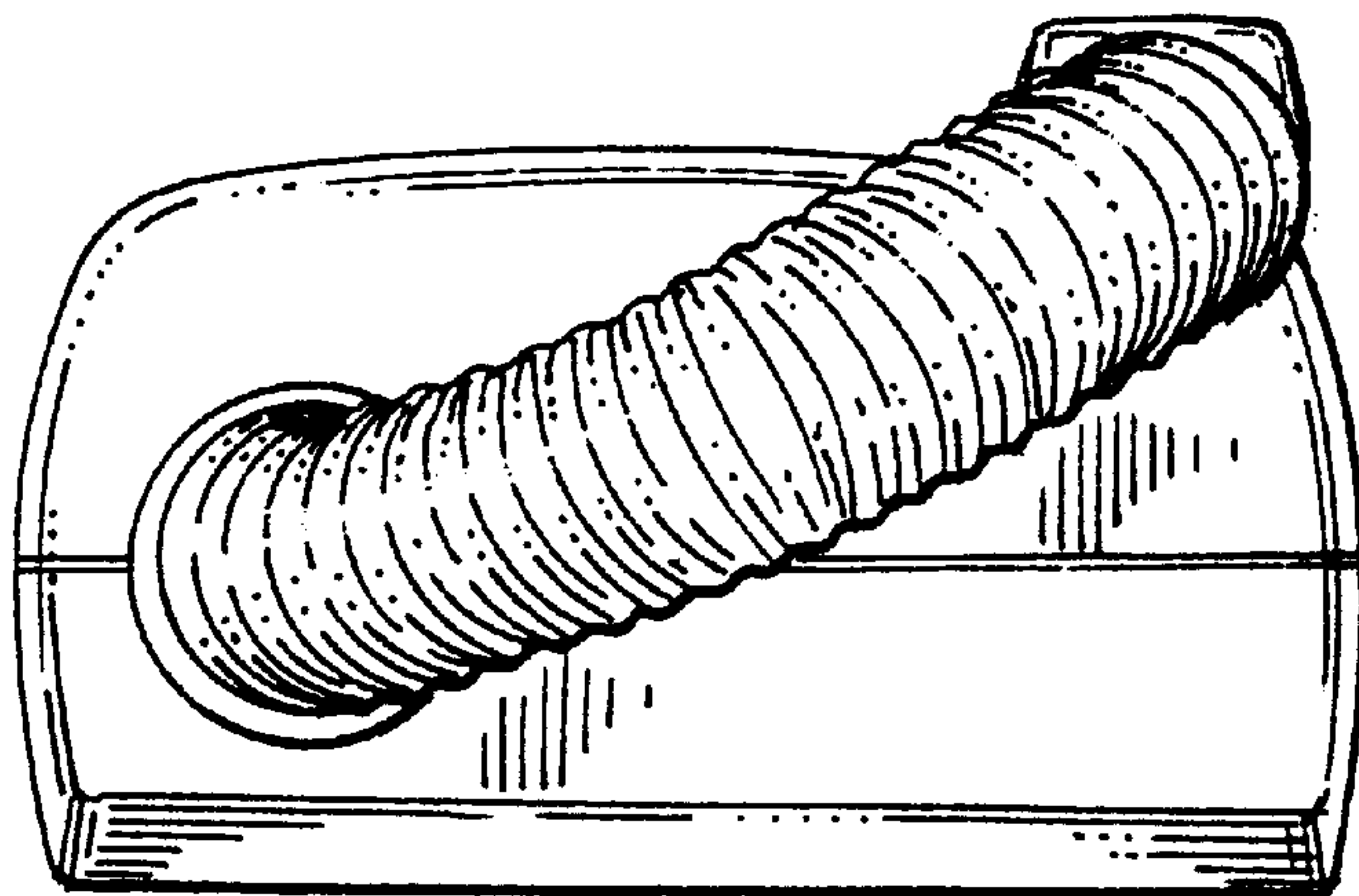


FIG. 7