



US00D446341S

(12) **United States Design Patent**
Orozco

(10) **Patent No.:** **US D446,341 S**

(45) **Date of Patent:** **** Aug. 7, 2001**

(54) **LAMP**

(75) **Inventor:** **Sergio J. Orozco**, West New York, NJ (US)

(73) **Assignee:** **Quoizel, Inc.**, Goose Creek, SC (US)

(**) **Term:** **14 Years**

(21) **Appl. No.:** **29/128,306**

(22) **Filed:** **Aug. 22, 2000**

(51) **LOC (7) Cl.** **26-03**

(52) **U.S. Cl.** **D26/110**

(58) **Field of Search** D26/92-112, 142;
362/410-414, 431, 806

(56) **References Cited**

U.S. PATENT DOCUMENTS

D. 50,857	*	5/1917	West et al.	D26/110
D. 155,725	*	10/1949	Nicyper	D26/109
D. 170,774	*	11/1953	Rosenthal	D26/93
D. 255,390	*	6/1980	Morrison	D26/105
D. 409,791	*	5/1999	Schlesinger	D26/142

OTHER PUBLICATIONS

Exposures Catalog, lamp on p. 6, Jan. 1991.*
Item Nos. 8682/739, 8683/774, 8656/753 and 8646/754,
Catalog pp. 16-17, Dale Tiffany Catalog No. 9811, 1998.

* cited by examiner

Primary Examiner—Alan P. Douglas

Assistant Examiner—Linda Brooks

(74) *Attorney, Agent, or Firm*—Nelson Mullins Riley & Scarborough

(57) **CLAIM**

The ornamental design for a lamp, substantially as shown and described.

DESCRIPTION

FIG. 1 is a perspective view of a lamp embodying the design of the present invention.

FIG. 2 is a front side elevational view of the lamp illustrated in FIG. 1, the back side elevational view, left side elevational view and right side elevational view being identical thereto.

FIG. 3 is a top view of the lamp of FIG. 1; and,

FIG. 4 is a bottom view of the lamp of FIG. 1.

The lamp shade shown in broken lines does not form a part of the claimed design.

1 Claim, 4 Drawing Sheets

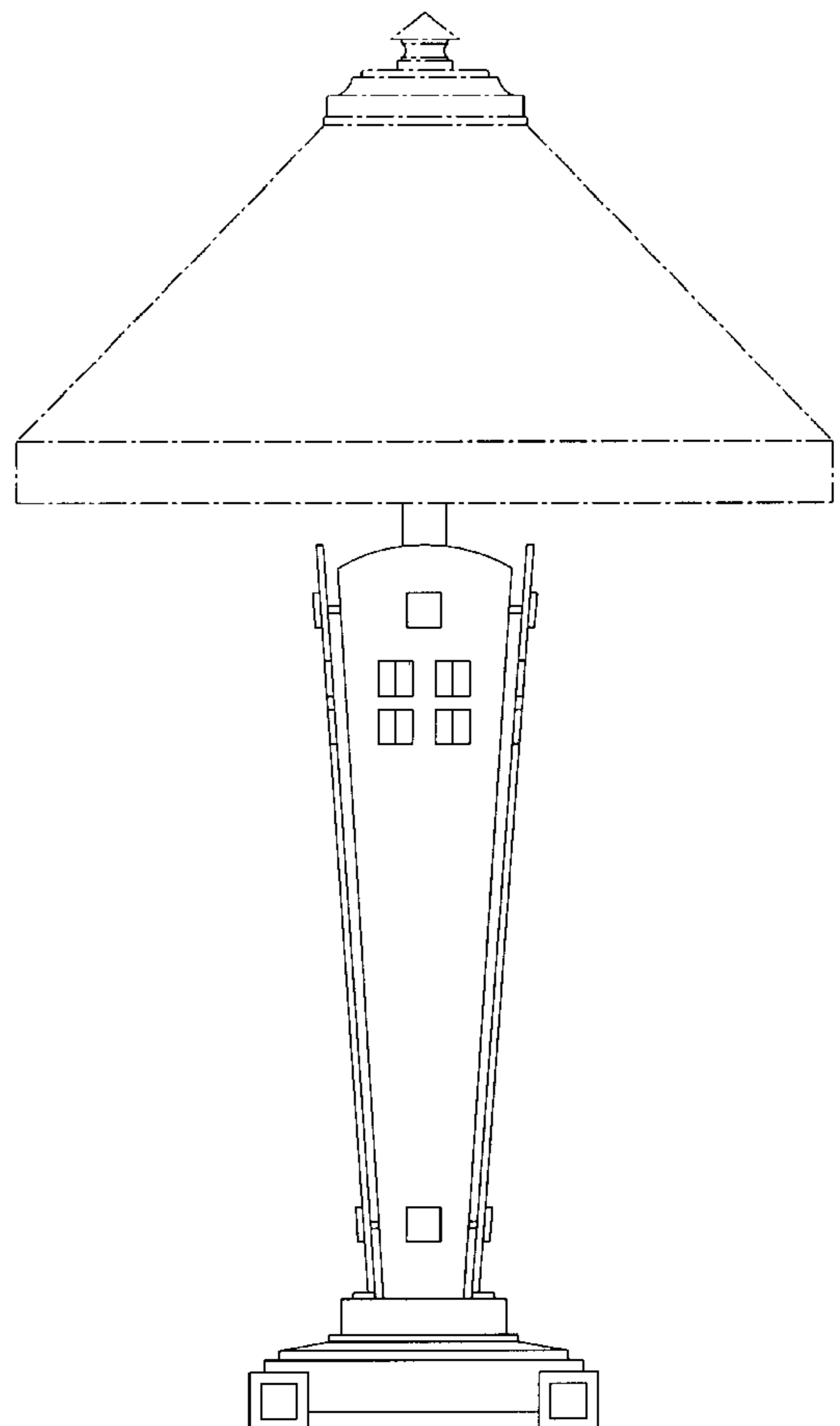
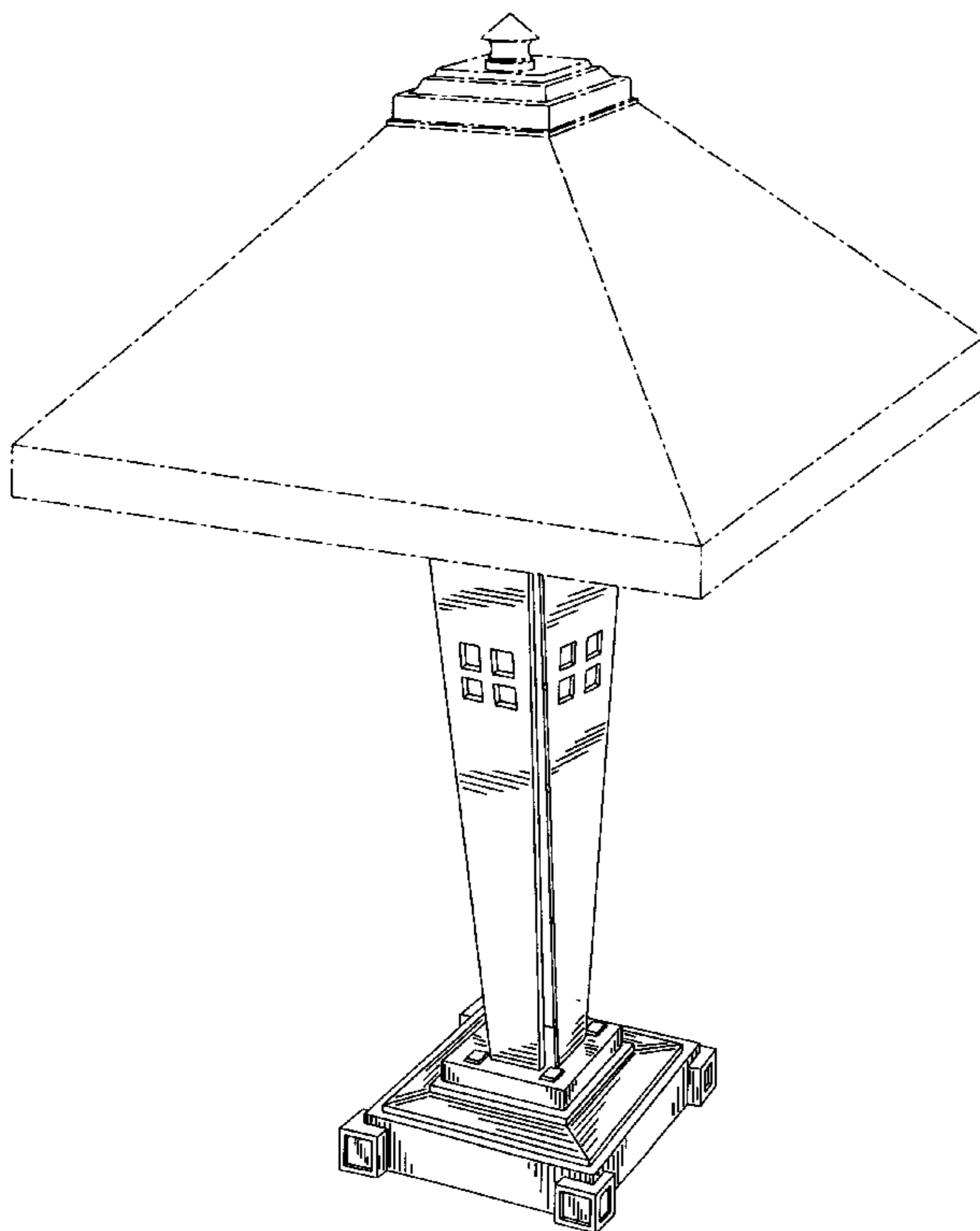


FIG. 1

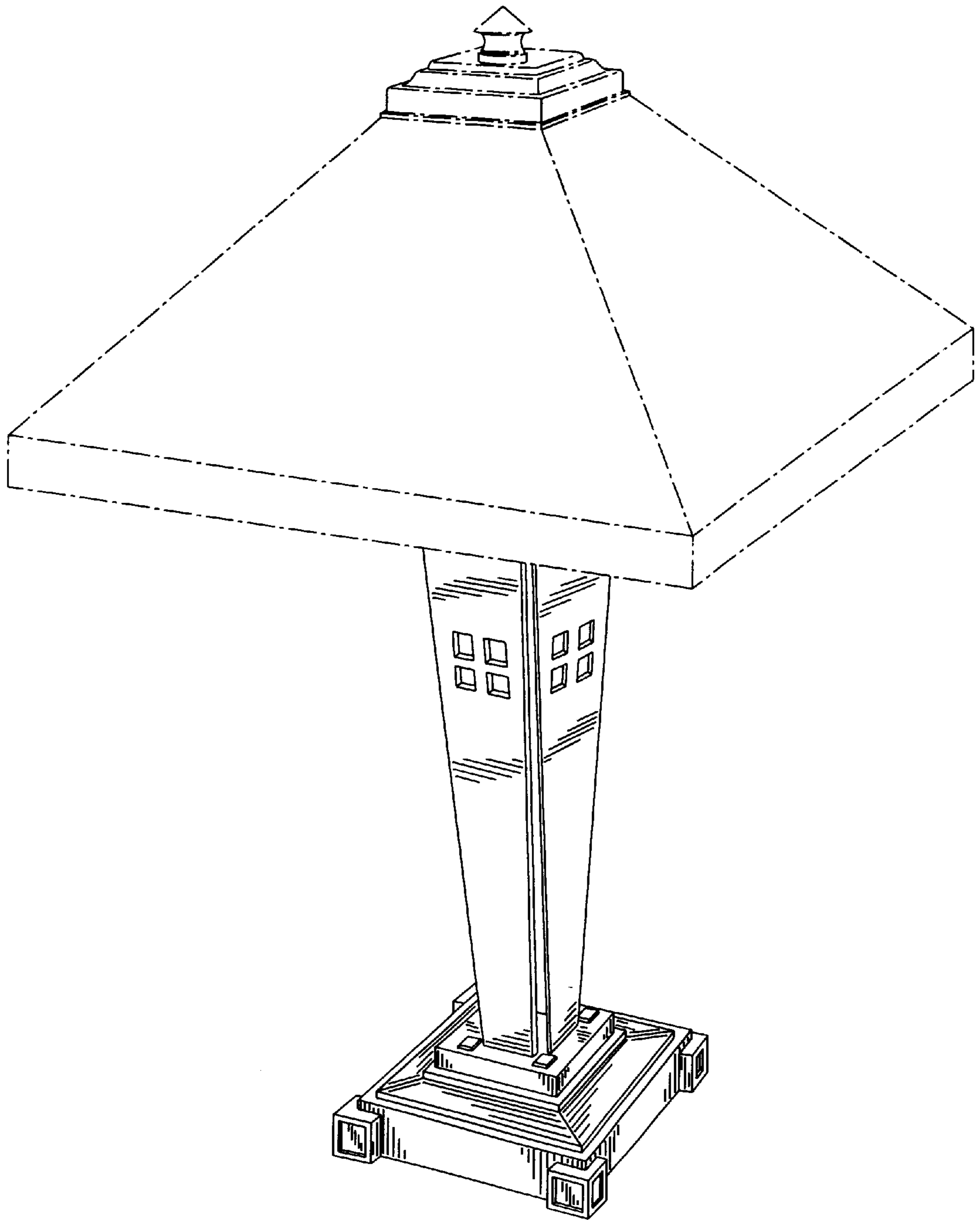


FIG. 2

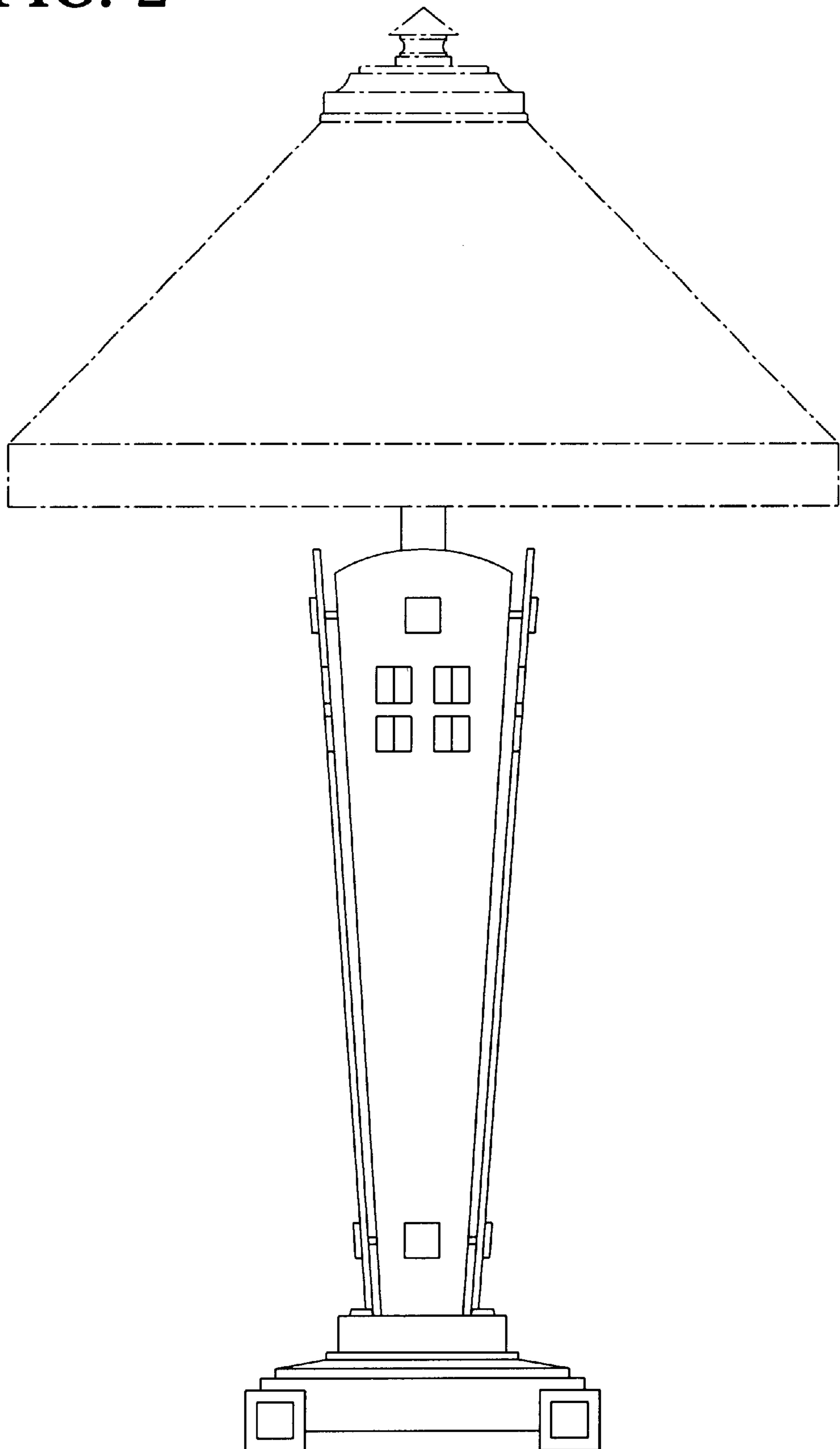


FIG. 3

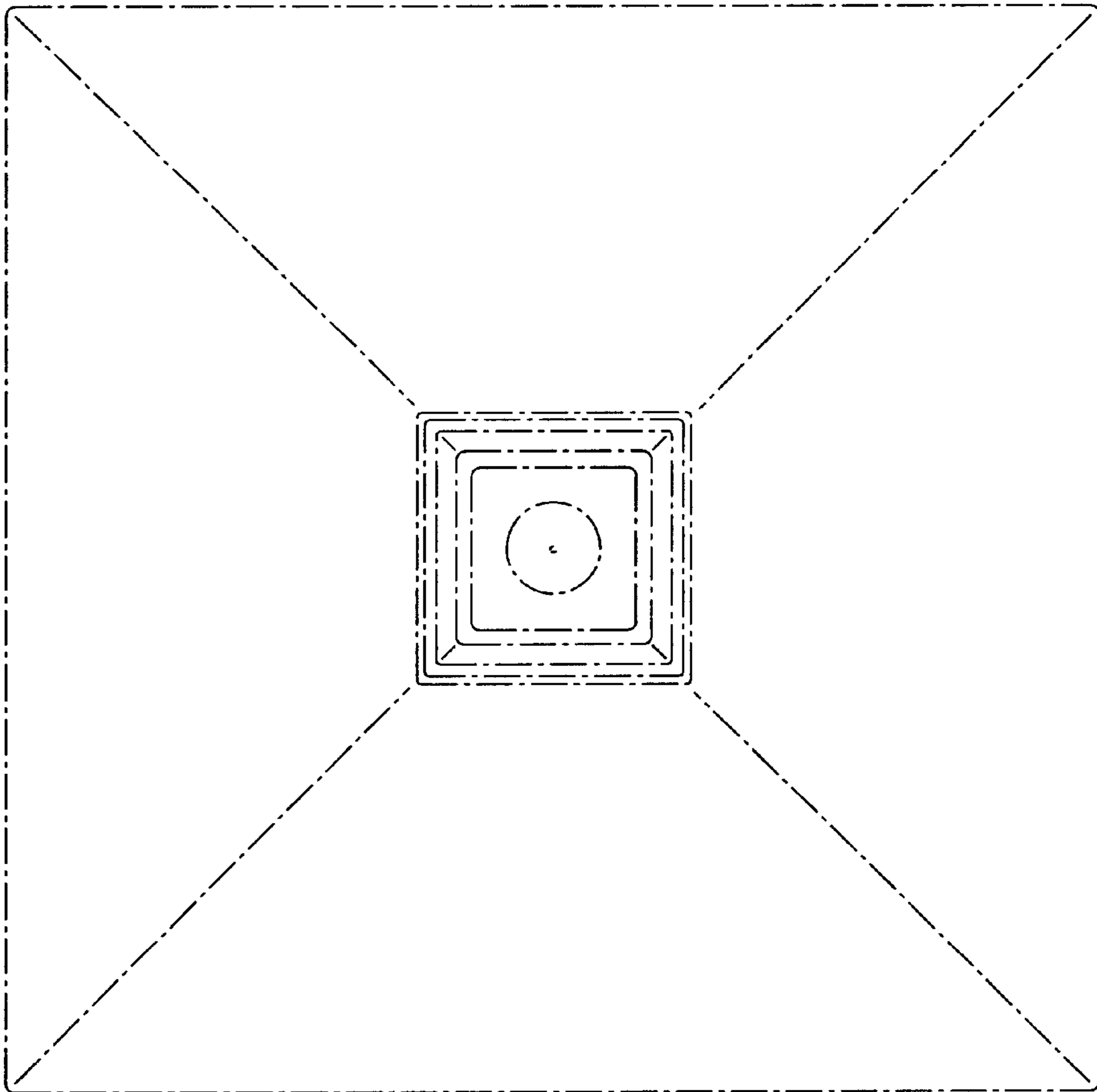


FIG. 4

