



US00D446340S

(12) **United States Design Patent**
Bradford et al.

(10) **Patent No.:** **US D446,340 S**

(45) **Date of Patent:** **** Aug. 7, 2001**

(54) **WALL-MOUNTED LIGHTING FIXTURE**

(75) Inventors: **Reed A. Bradford**, Hendersonville;
James H. Toney, Canton, both of NC
(US)

(73) Assignee: **General Electric Company**,
Schenectady, NY (US)

(**) Term: **14 Years**

(21) Appl. No.: **29/136,858**

(22) Filed: **Feb. 8, 2001**

Related U.S. Application Data

(62) Division of application No. 29/131,329, filed on Oct. 17,
2000.

(51) **LOC (7) Cl.** **26-05**

(52) **U.S. Cl.** **D26/87**

(58) **Field of Search** D26/72, 87, 92,
D26/142, 155; 362/147, 432

(56) **References Cited**

U.S. PATENT DOCUMENTS

D. 357,997 * 5/1995 Wegrzyn et al. D26/72

D. 432,700 * 10/2000 Avila et al. D26/87

OTHER PUBLICATIONS

Illuminotecnica lighting magazine, May 6, 1998, p. IX/89,
wall bottom left.*

* cited by examiner

Primary Examiner—Susan J. Lucas

(74) *Attorney, Agent, or Firm*—Carter & Schmedler, P.A.

(57) **CLAIM**

The ornamental design for a wall-mounted lighting fixture,
as shown.

DESCRIPTION

FIG. 1 is a three-dimensional view, generally from the
bottom right front, of a wall-mounted lighting fixture, show-
ing our new design.

FIG. 2 is another three-dimensional view, generally from the
top right front, thereof;

FIG. 3 is a front elevational view thereof;

FIG. 4 is a left side elevational view thereof, the right side
being a mirror image;

FIG. 5 is a top plan view thereof;

FIG. 6 is a bottom plan view thereof;

FIG. 7 is a rear elevational view thereof;

FIG. 8 is a three-dimensional view, generally from the
bottom right front, of a second embodiment of our new
design, the top plan view and the rear elevational view of the
second embodiment being identical to FIGS. 5 and 7,
respectively;

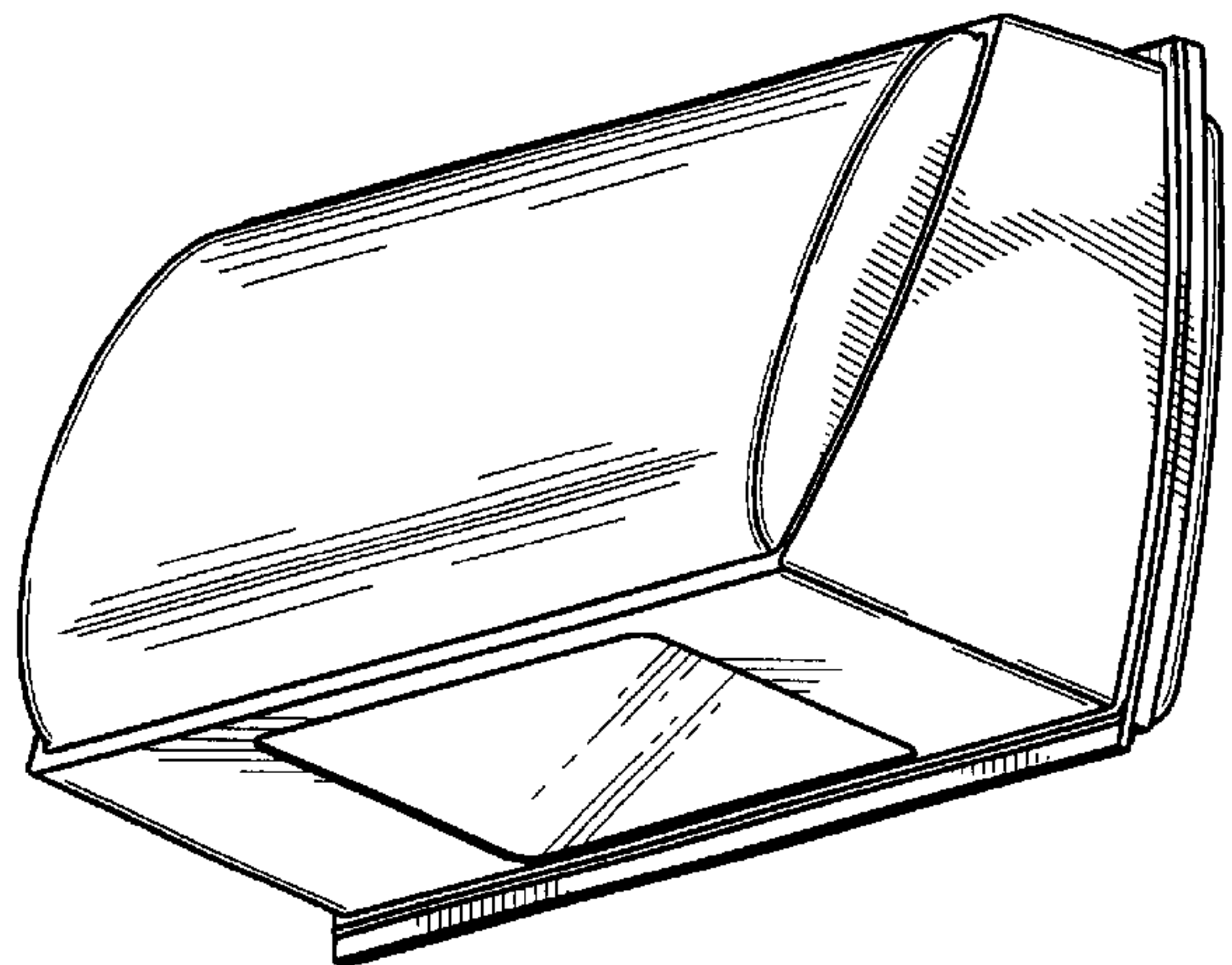
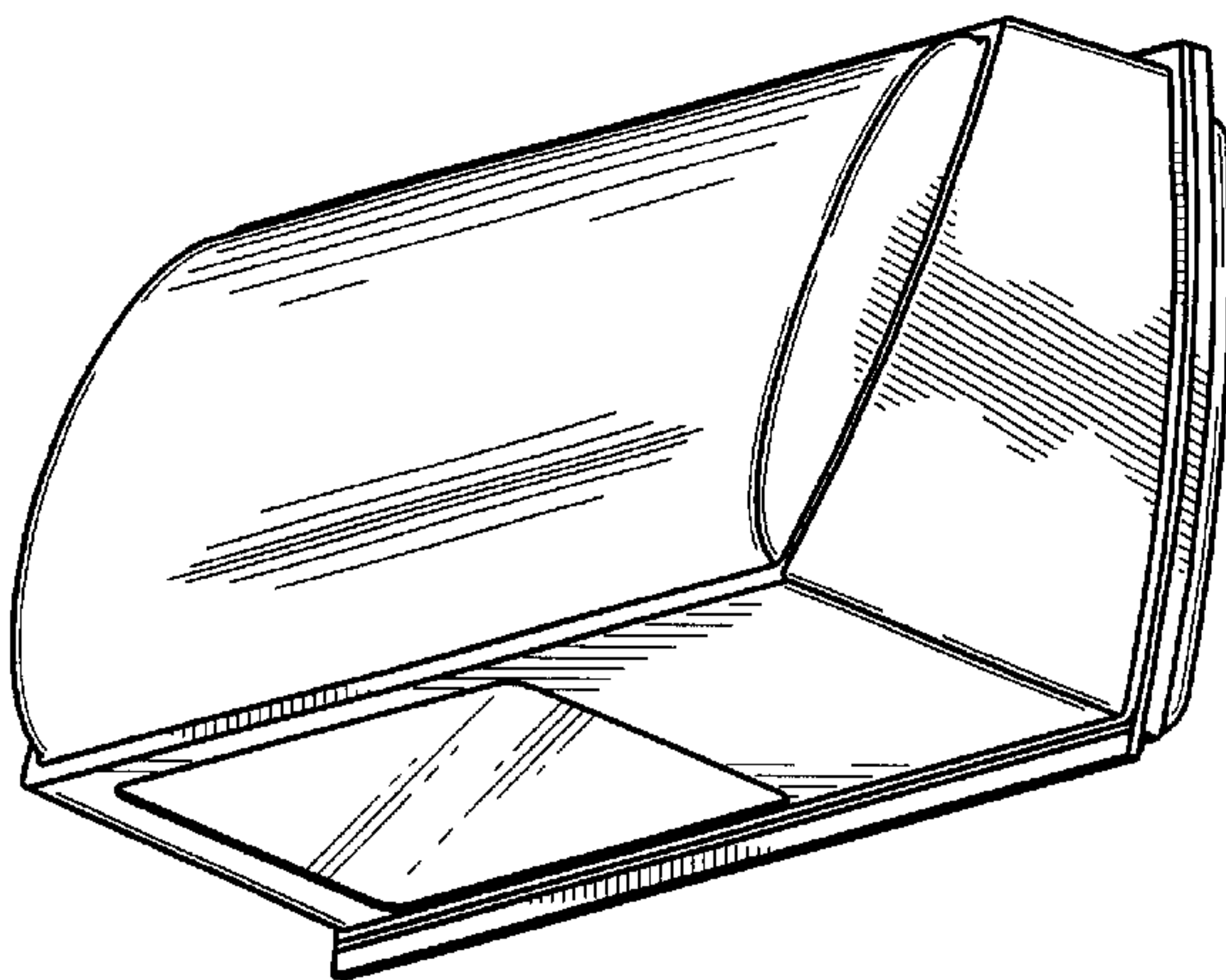
FIG. 9 is another three-dimensional view, generally from the
top right front, thereof;

FIG. 10 is a front elevational view thereof;

FIG. 11 is a left side elevational view thereof, the right side
being a mirror image; and,

FIG. 12 is a bottom plan view thereof.

1 Claim, 6 Drawing Sheets



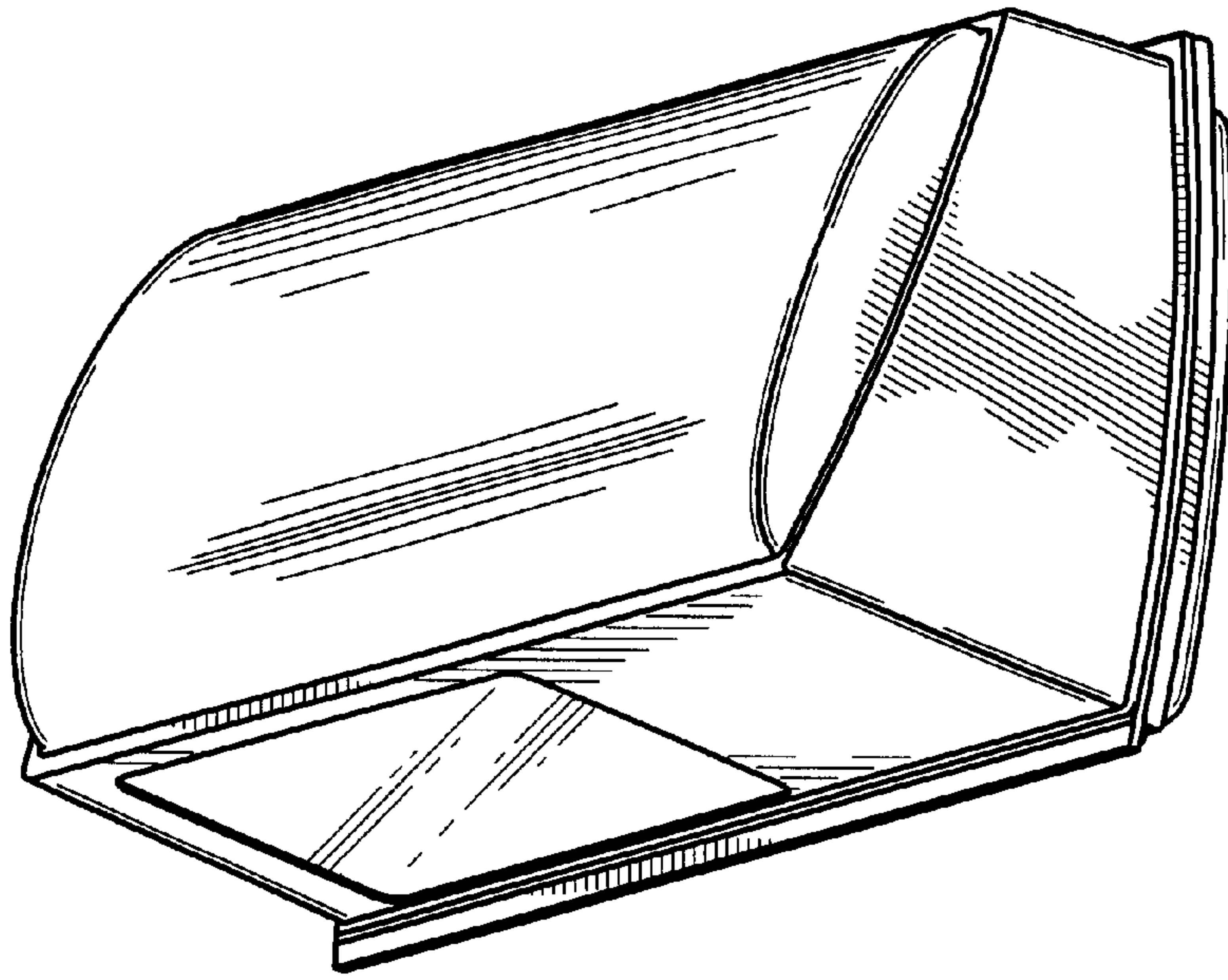


Fig. 1

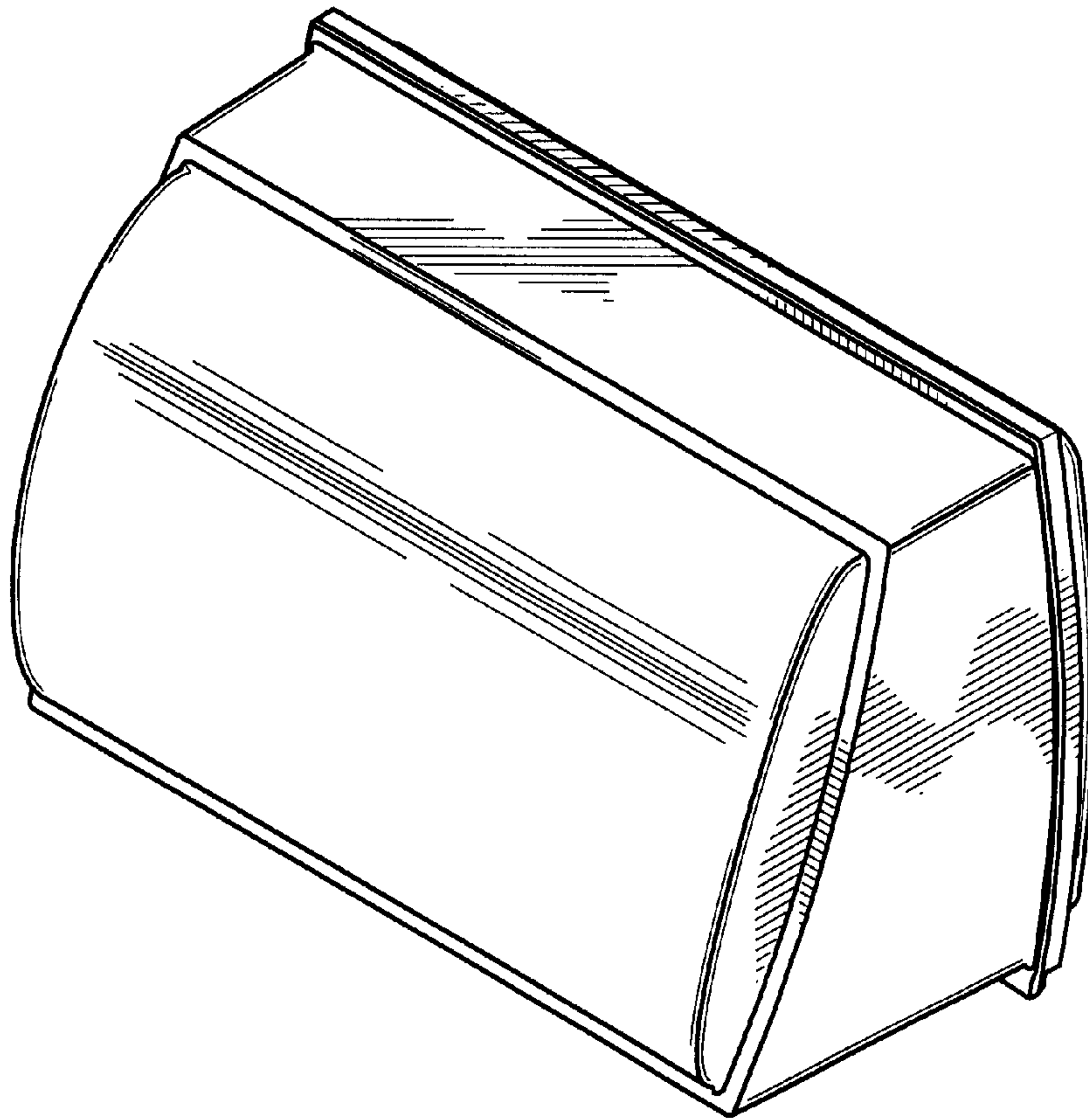


Fig. 2

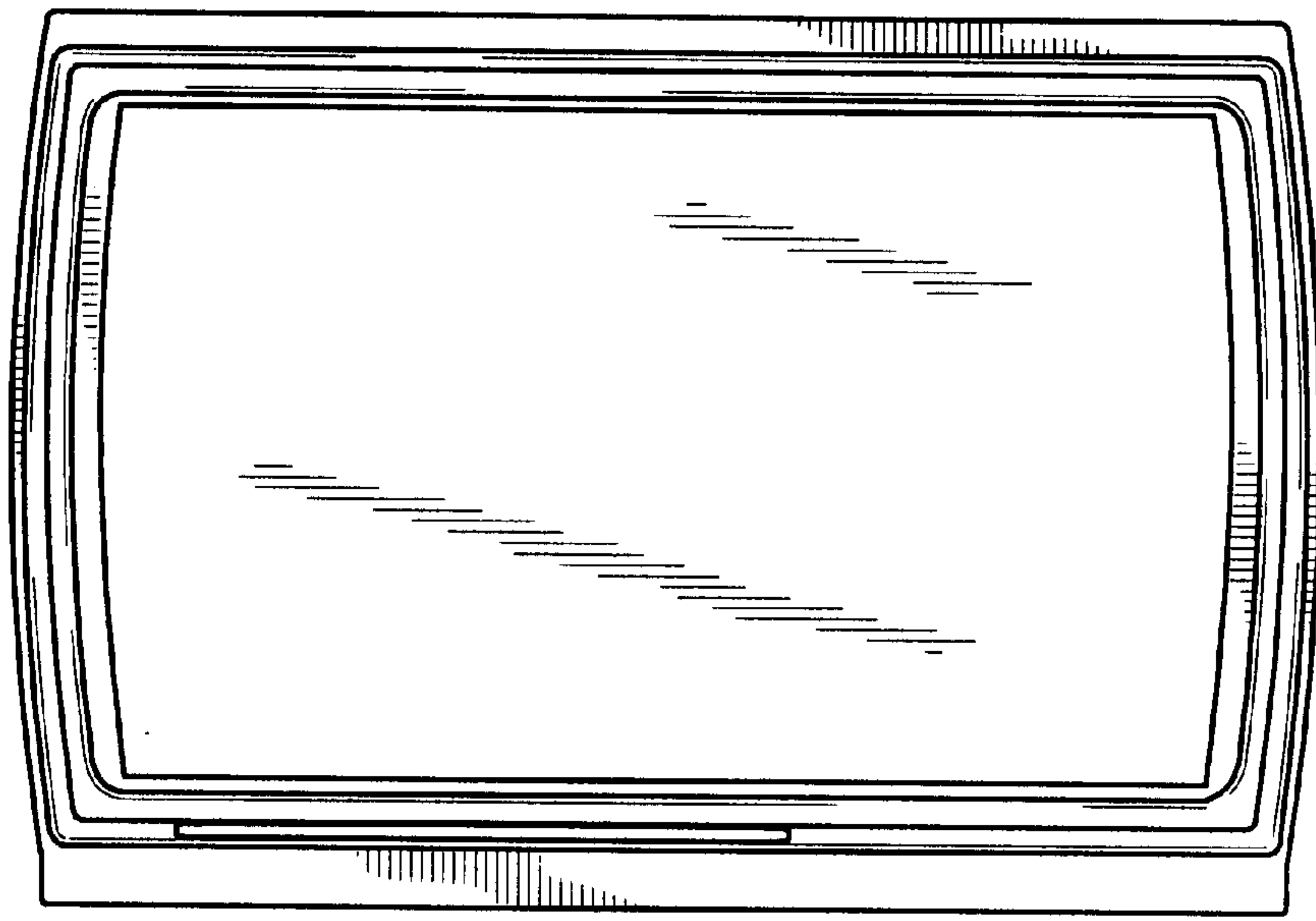


Fig. 3

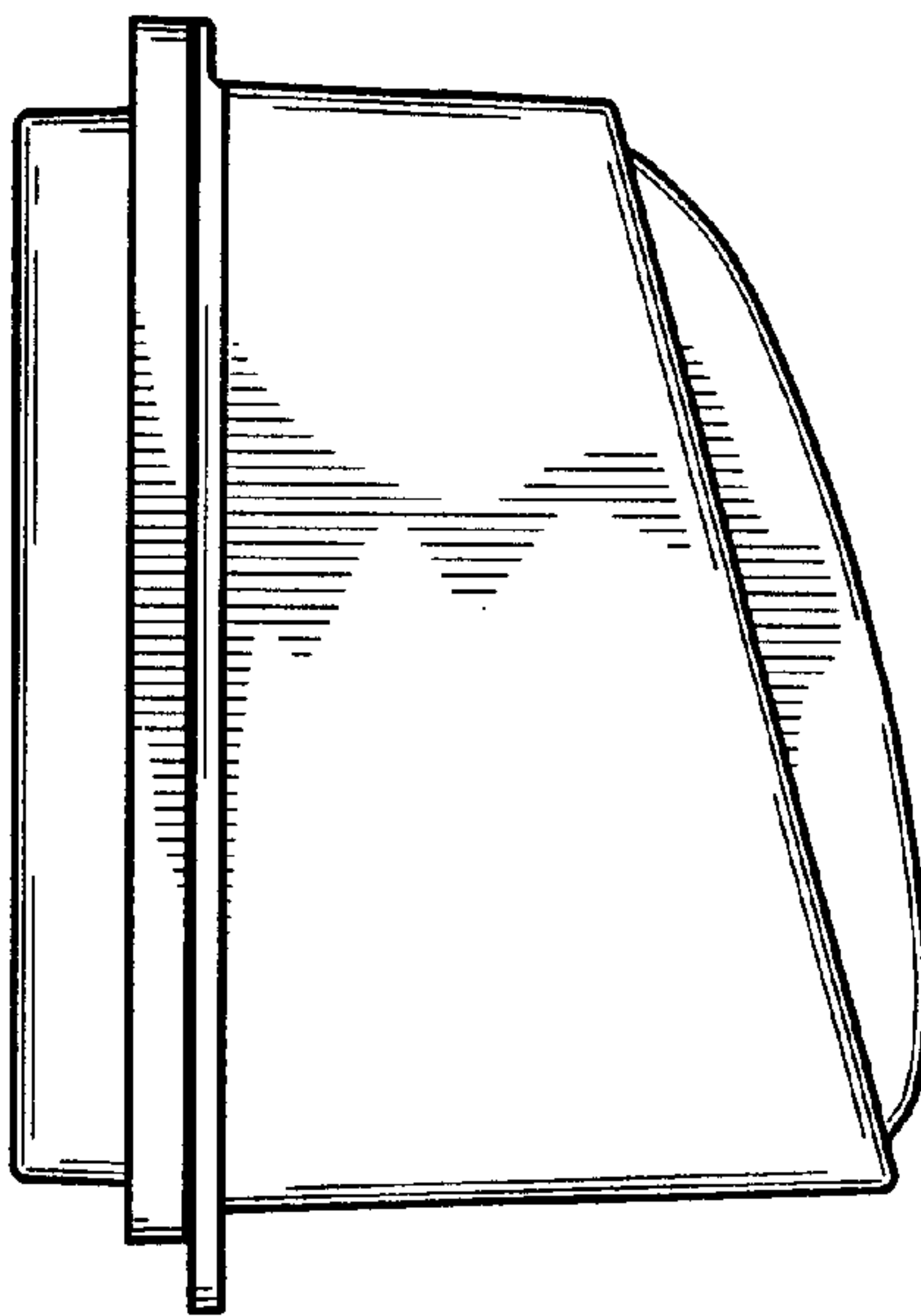


Fig. 4

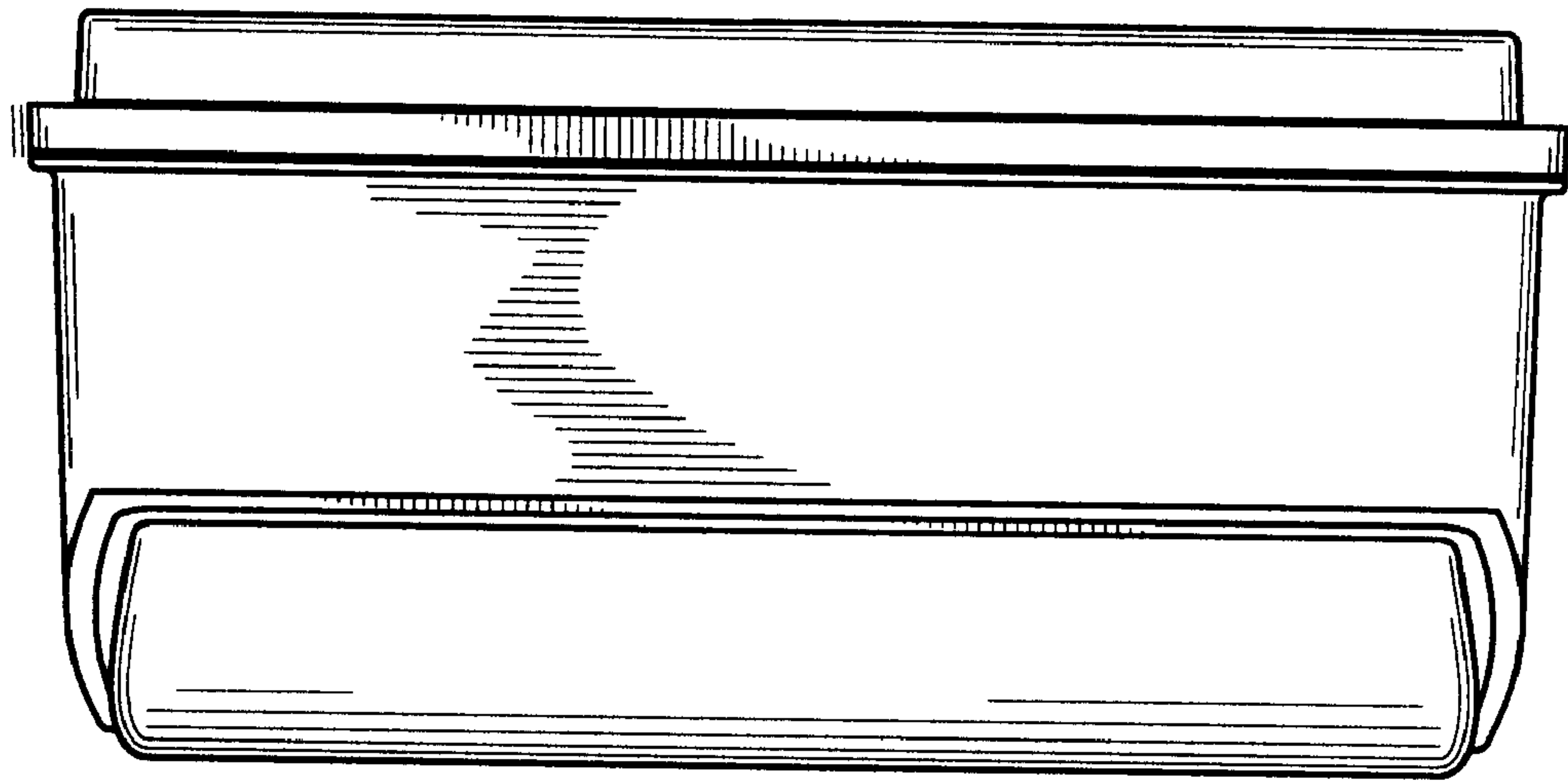


Fig. 5

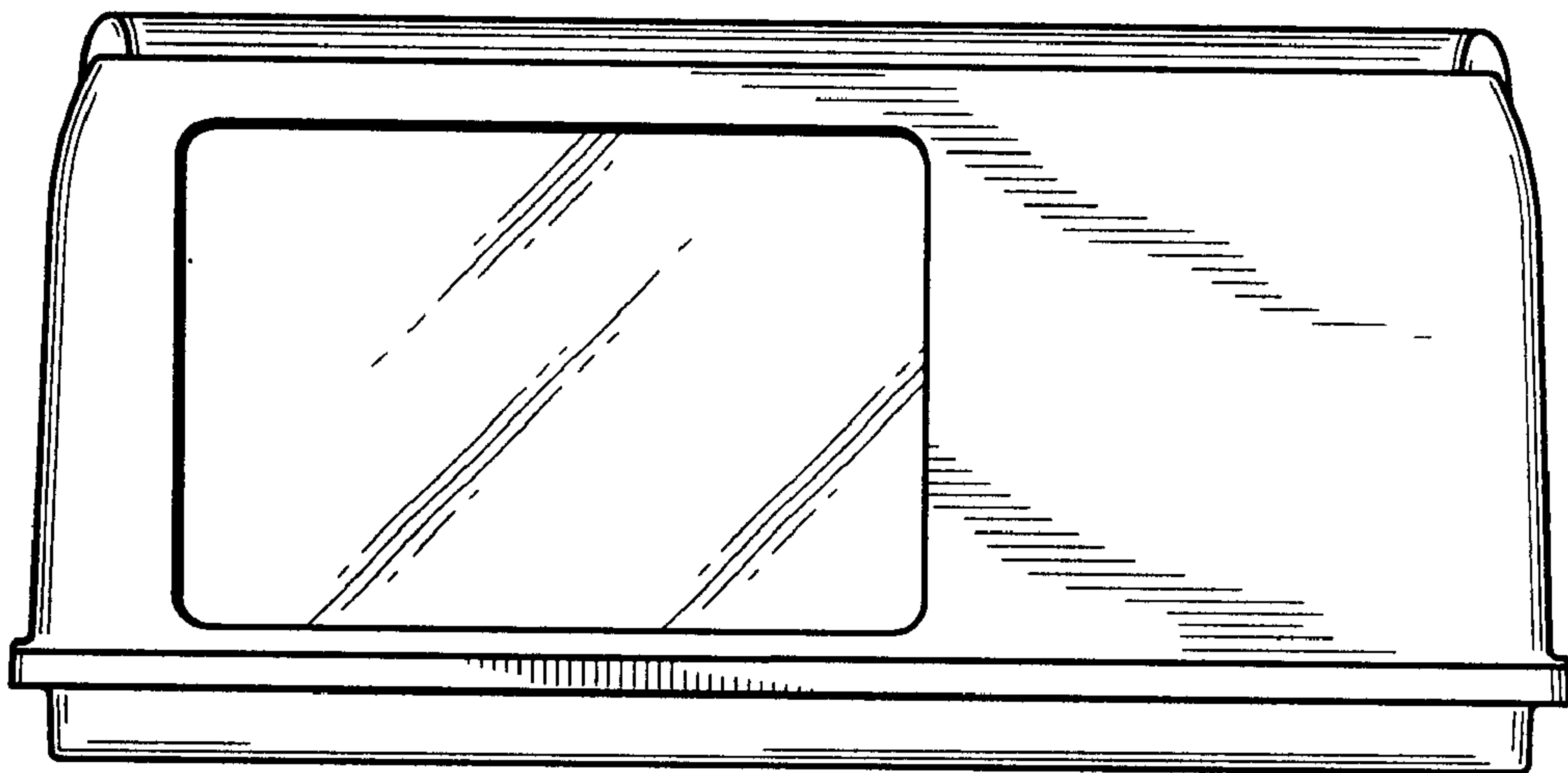


Fig. 6

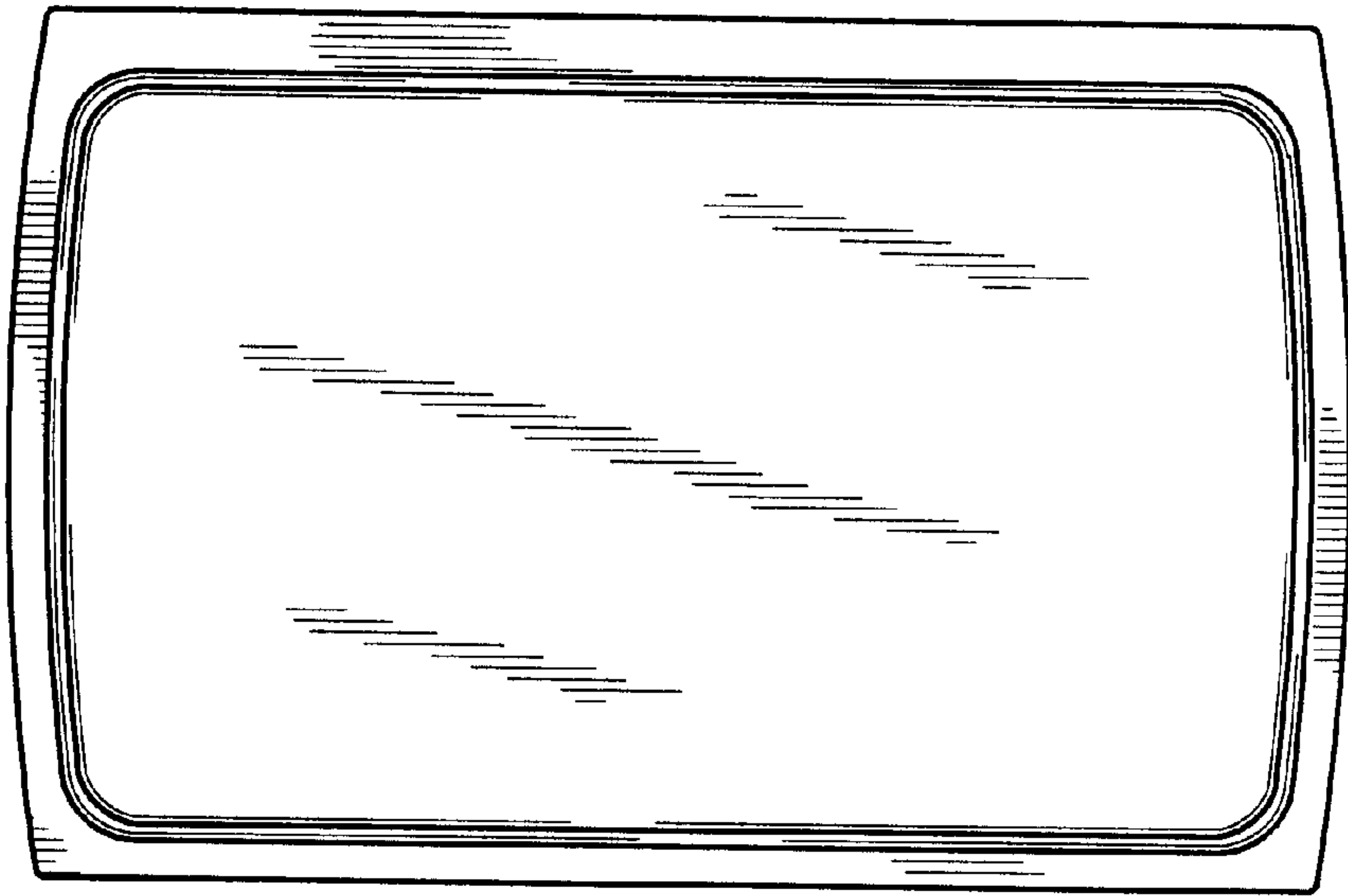


Fig. 7

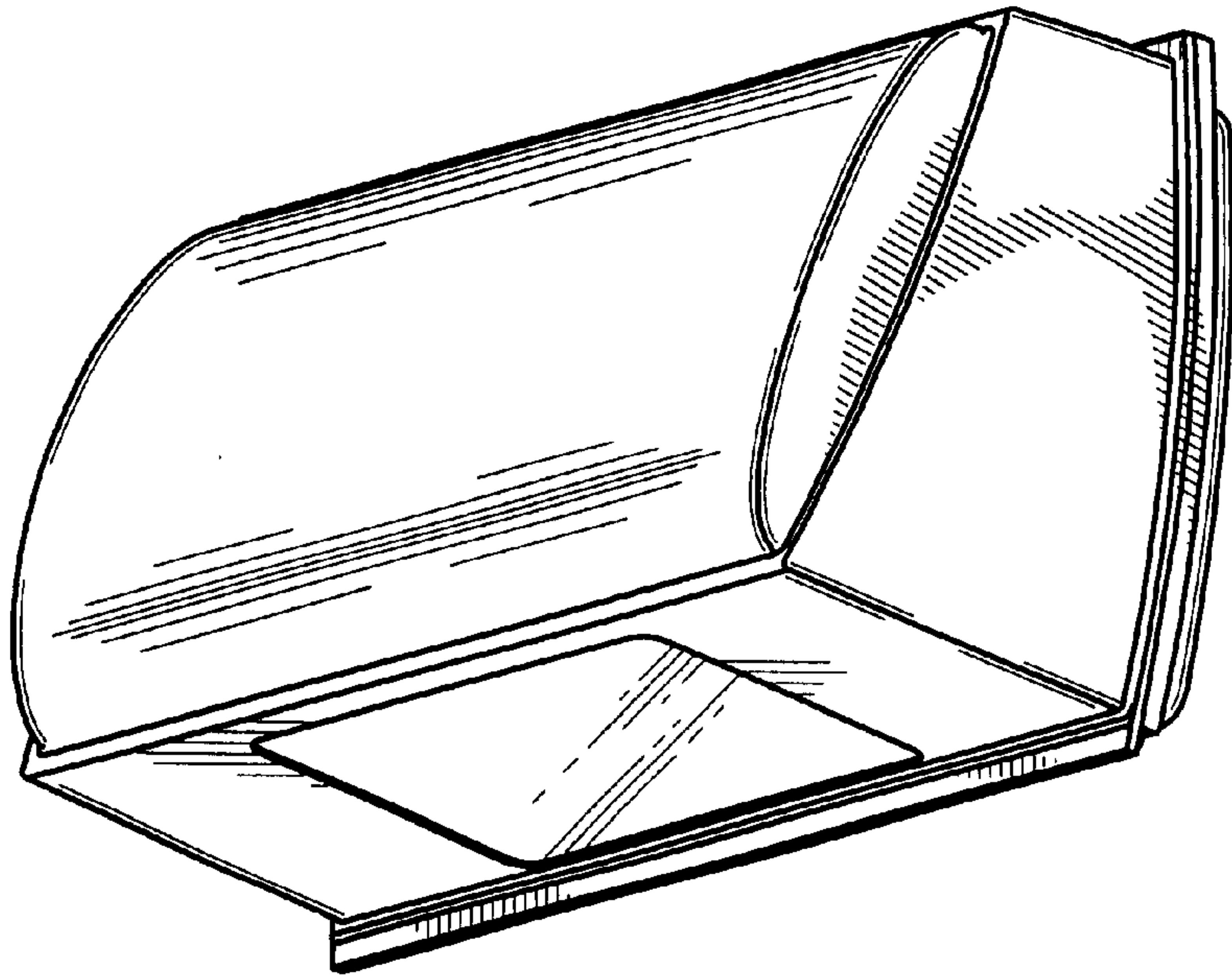


Fig. 8

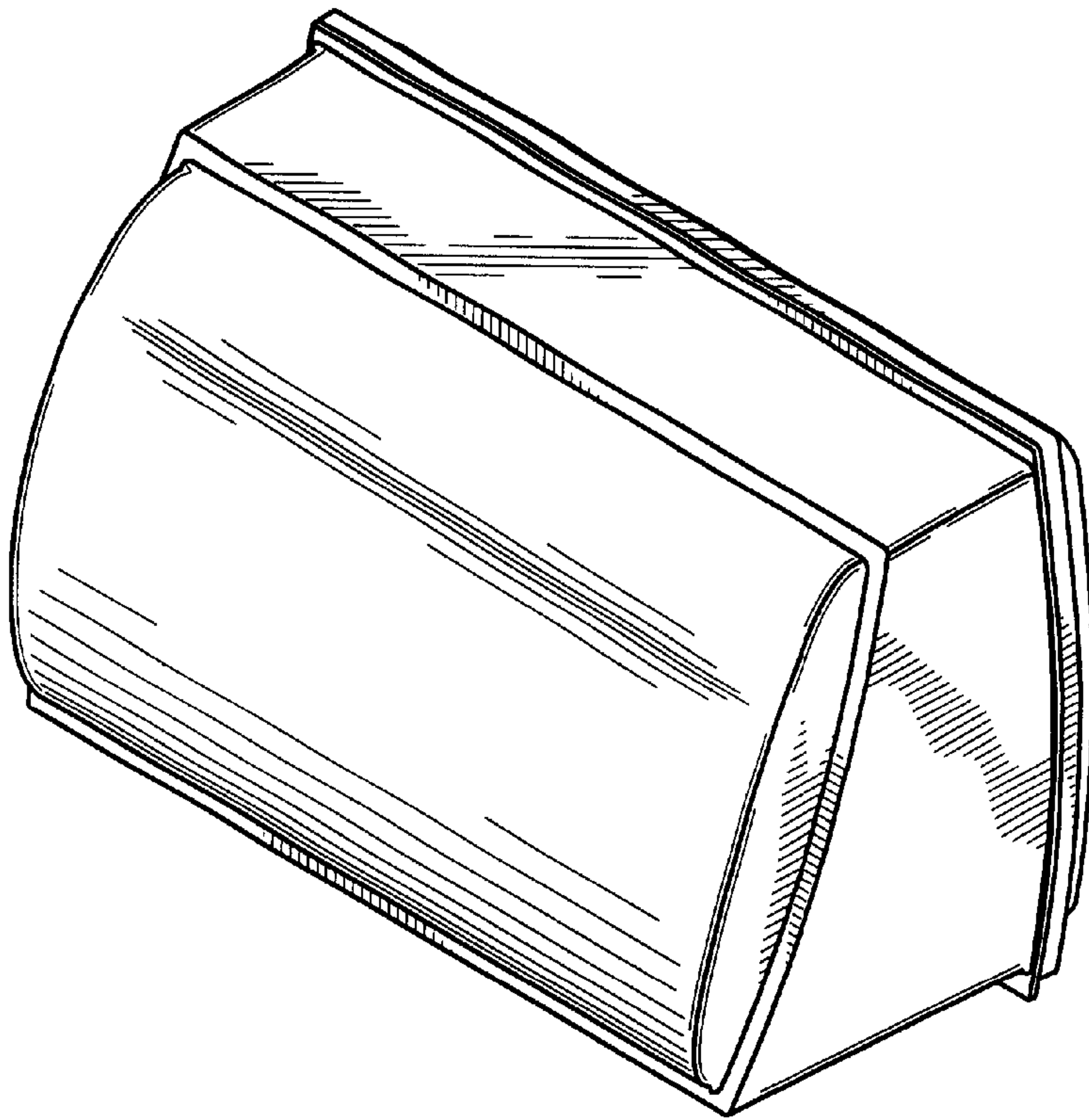


Fig. 9

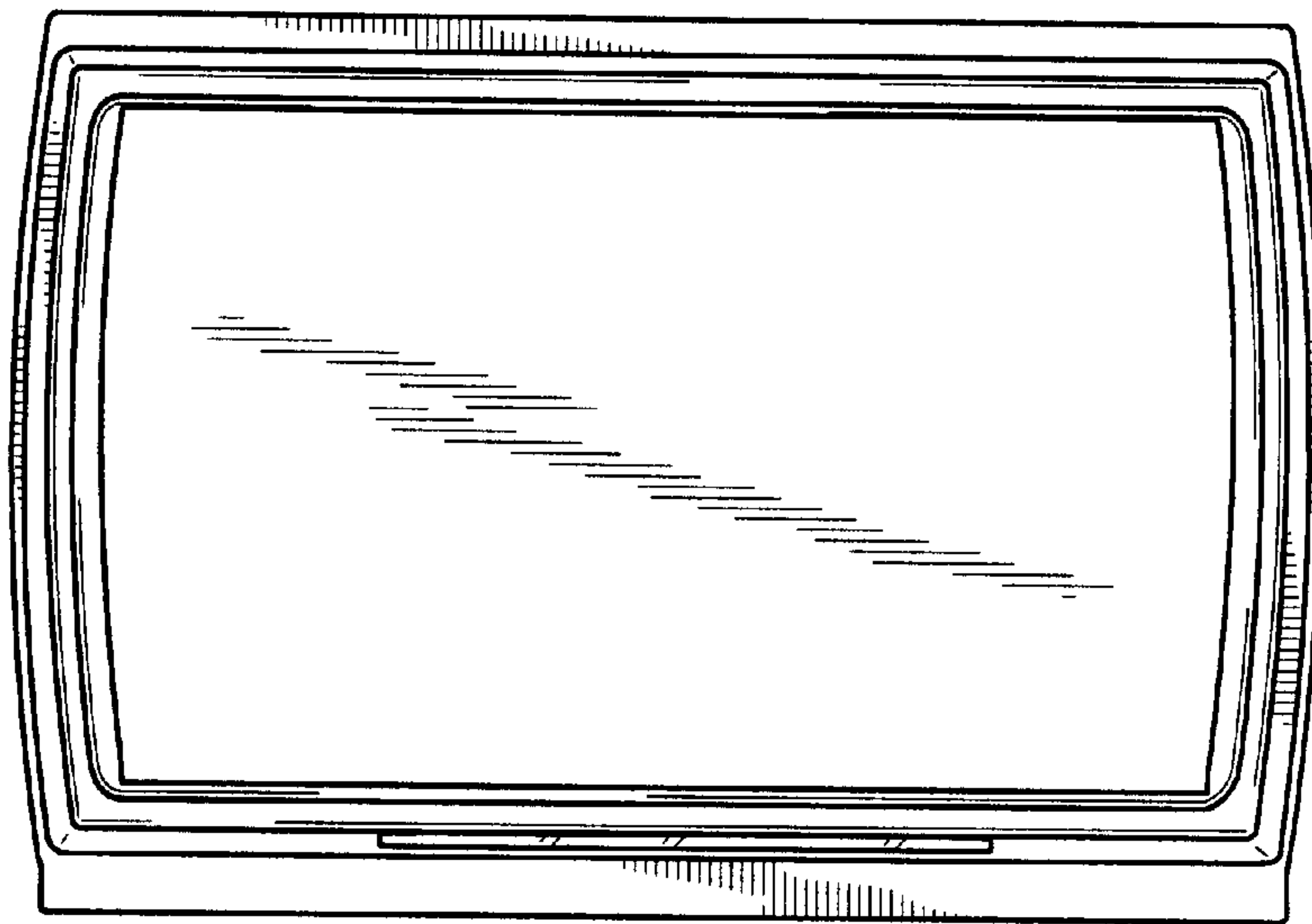


Fig. 10

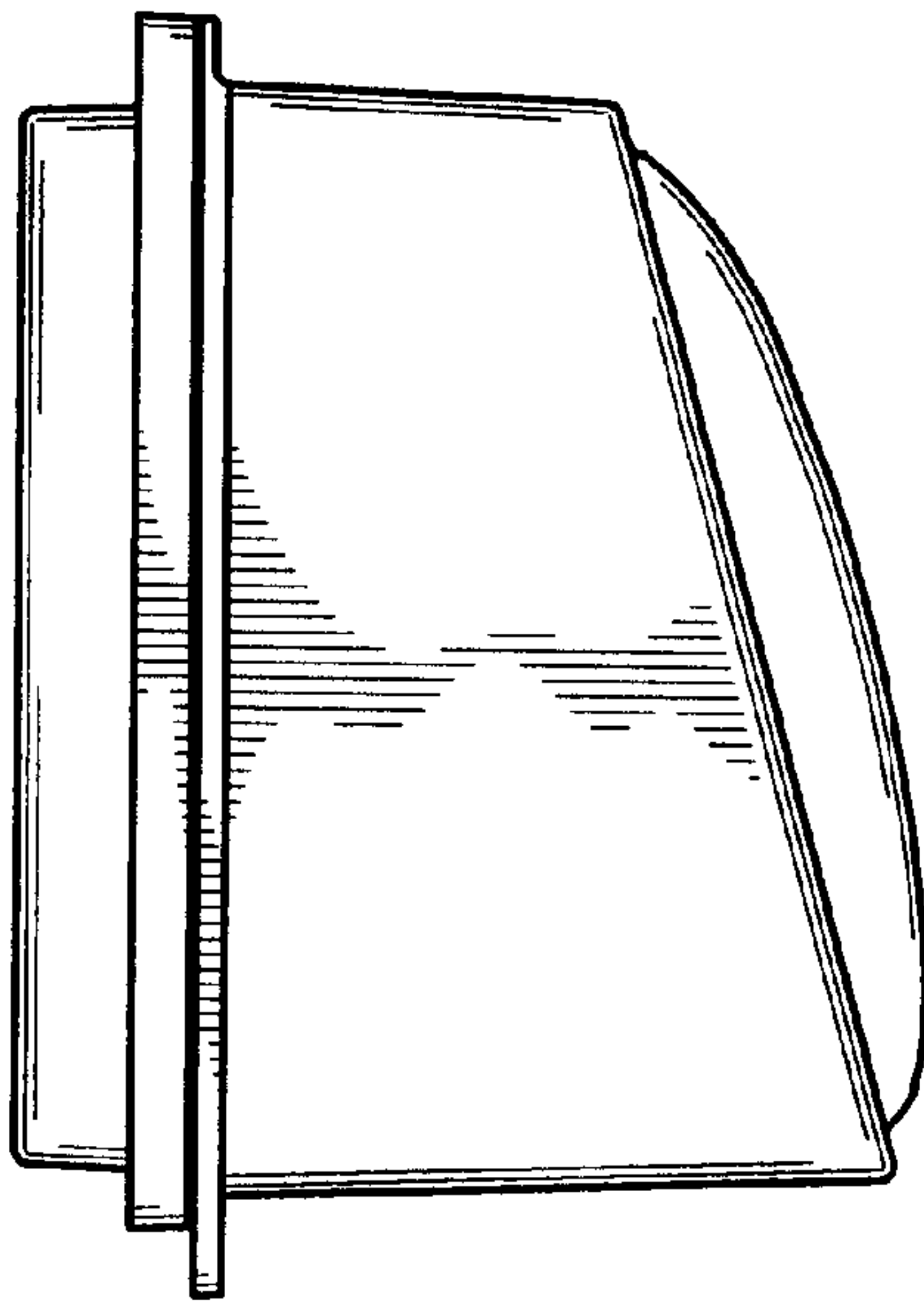


Fig. 11

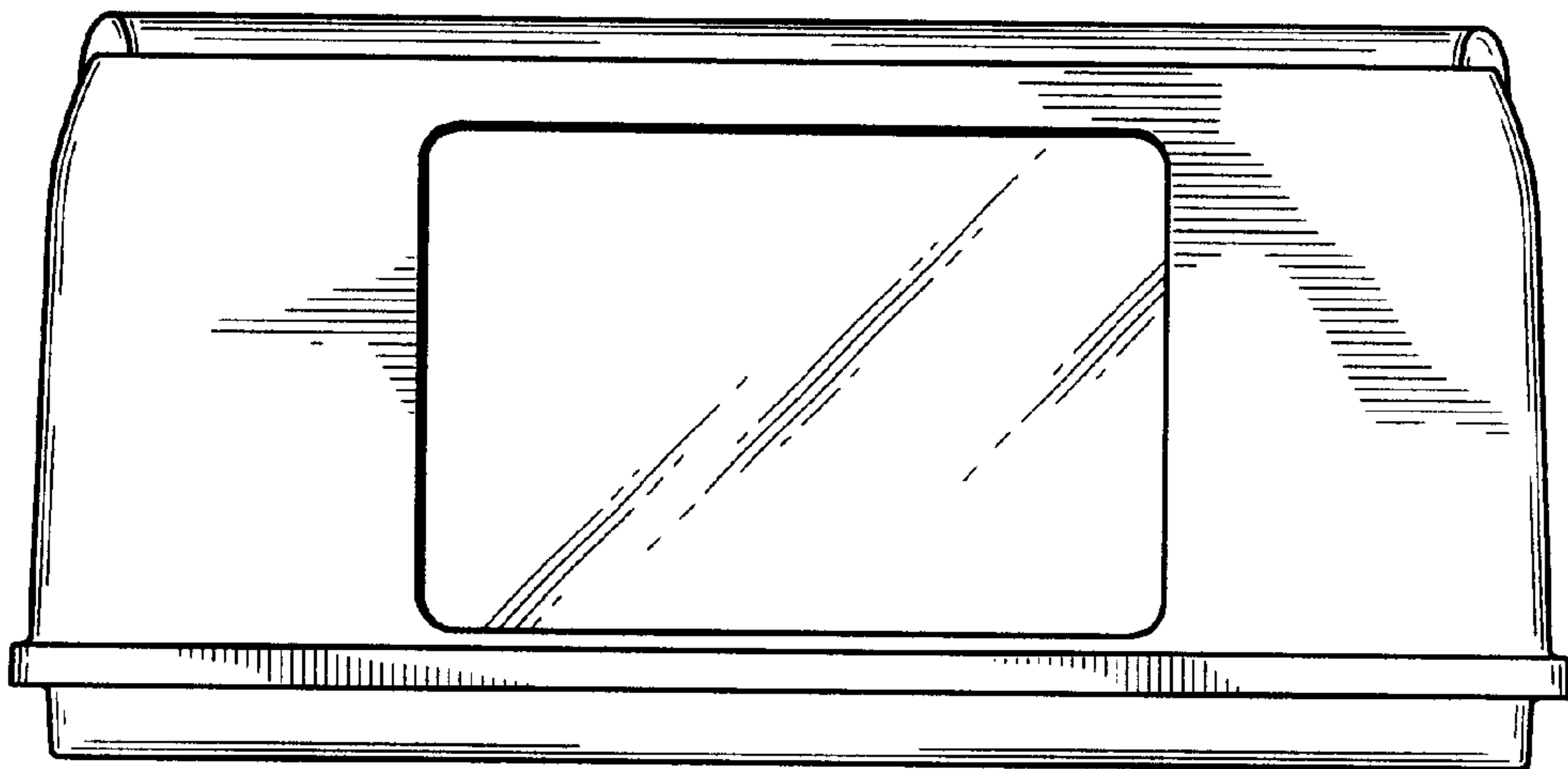


Fig. 12